

X1



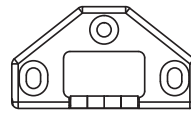
3.5*30

X2



3.5*19

X1



STRIKING PLATE

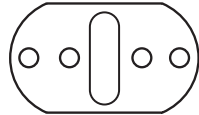
X1



3.5*19

X3

LOCK HOUSING



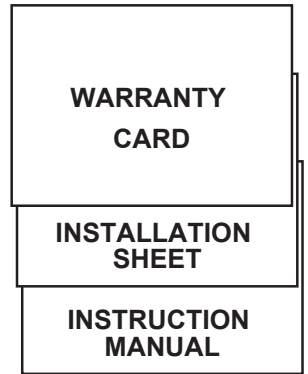
X1

STEEL PLATE



X1

MANAGEMENT CARD



WARRANTY CARD

INSTALLATION SHEET

INSTRUCTION MANUAL



X1

FRONT CASE



3*20

X2



X2

USER CARD

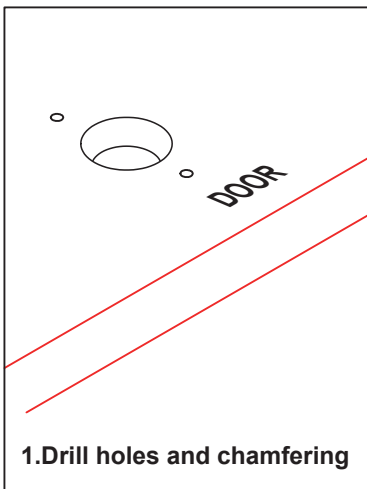
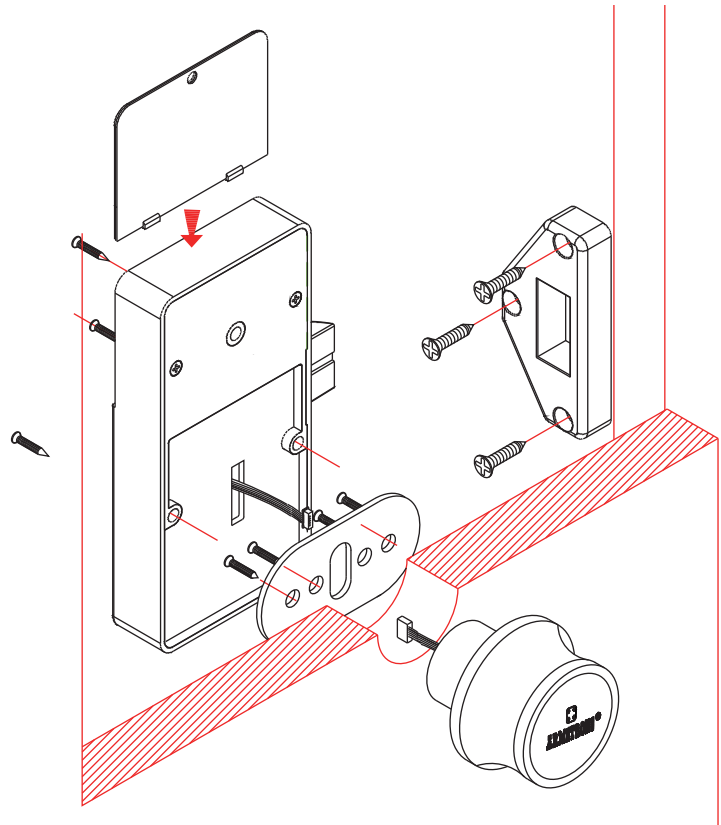


3*16

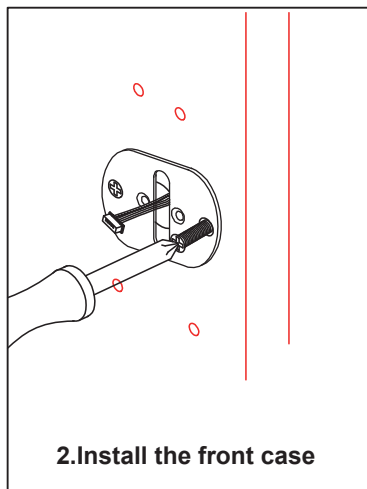
X4

INSTALLATION DIAGRAM

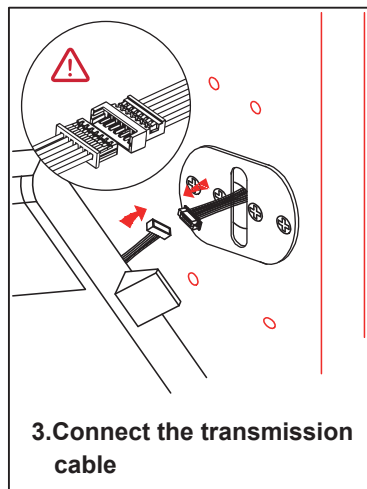
SDWC-207K SDWC-207KC



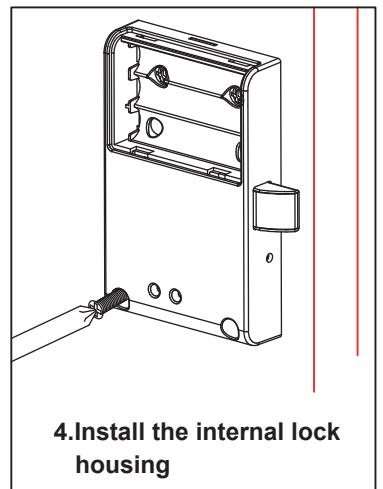
1. Drill holes and chamfering



2. Install the front case



3. Connect the transmission cable

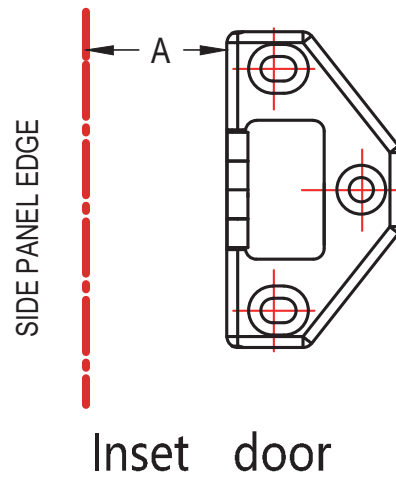
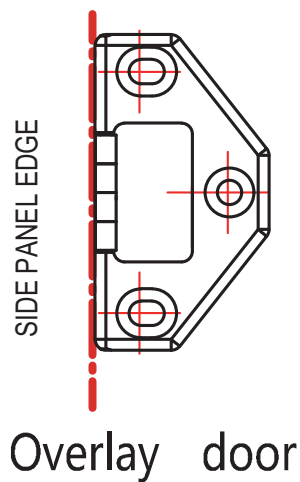
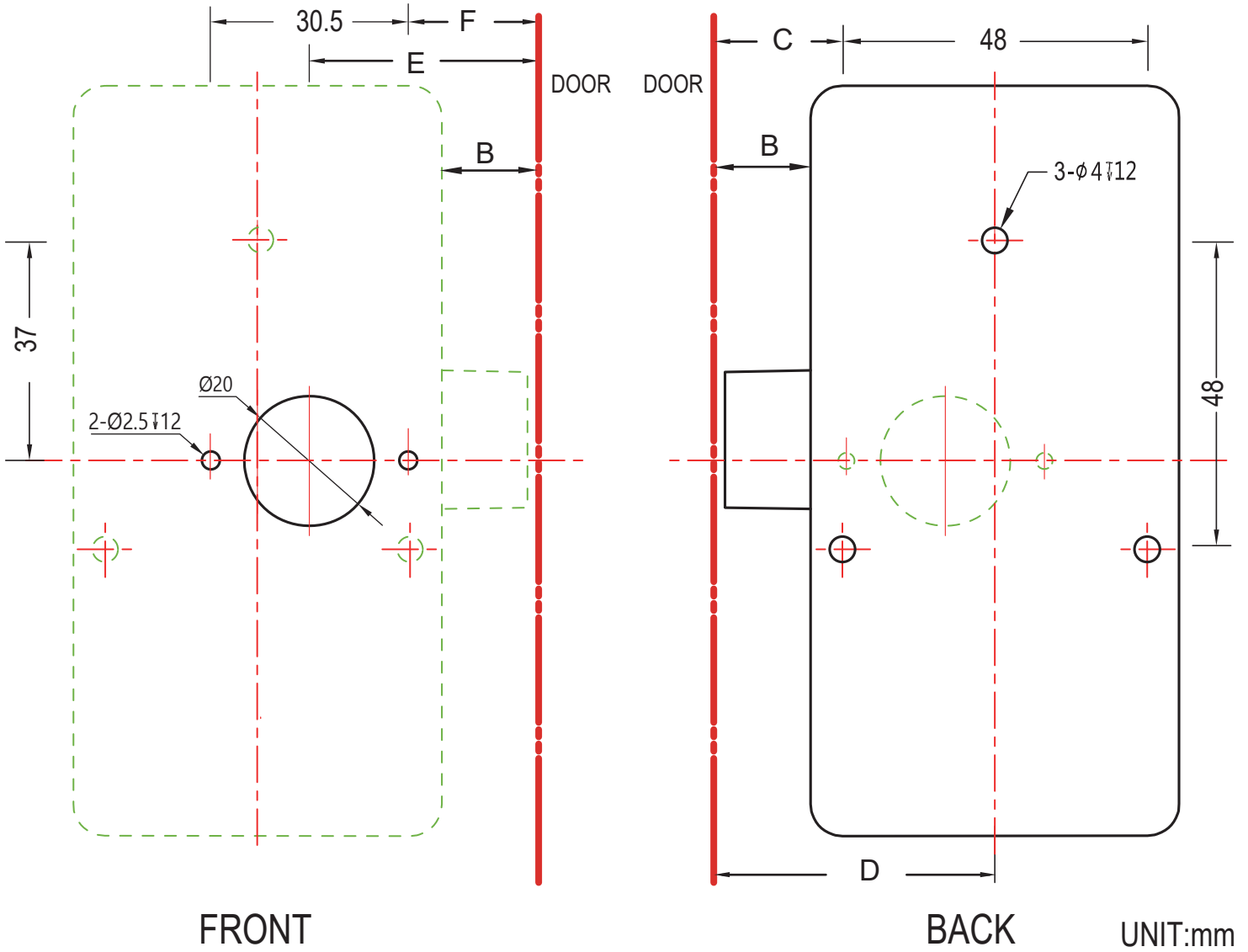


4. Install the internal lock housing

LEFT DOOR

CODE	INSET DOOR	OVERLAY DOOR
B	18mm	18mm+A
C	23mm	23mm+A
D	47mm	47mm+A
E	39mm	39mm+A
F	23.8mm	23.8mm+A

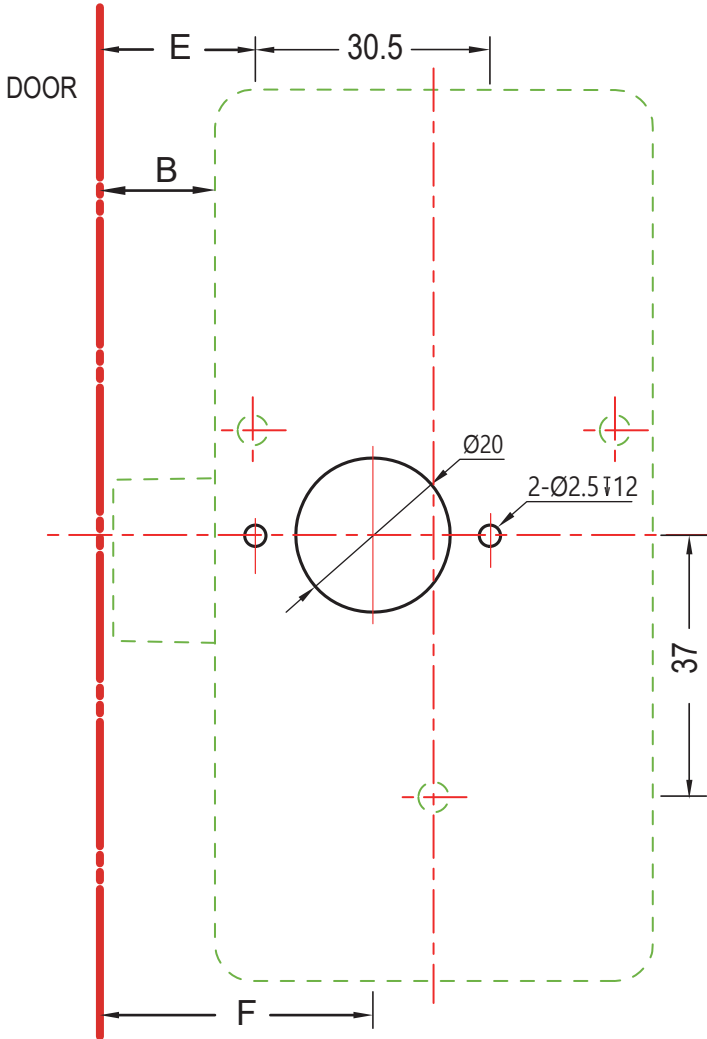
A= THICKNESS OF DOOR



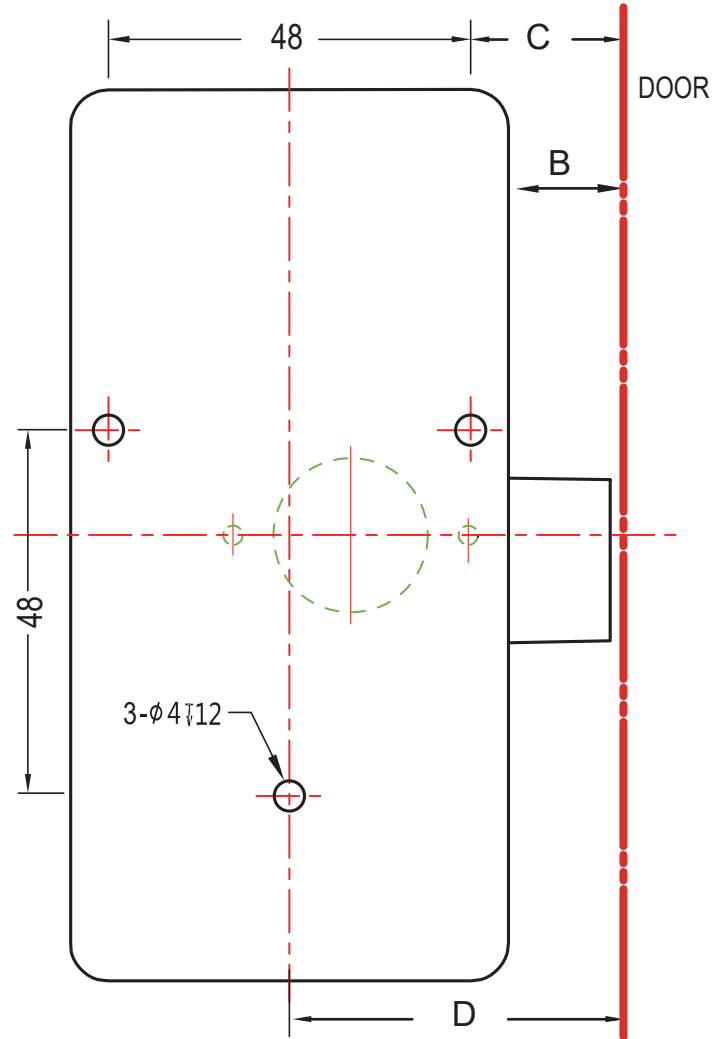
RIGHT DOOR

CODE	INSET DOOR	OVERLAY DOOR
B	18mm	18mm+A
C	23mm	23mm+A
D	47mm	47mm+A
E	39mm	39mm+A
F	23.8mm	23.8mm+A

A= THICKNESS OF DOOR

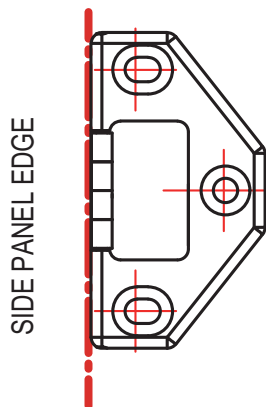


FRONT

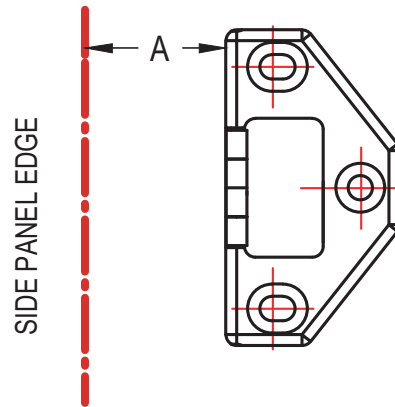


BACK

UNIT:mm



Overlay door



Inset door