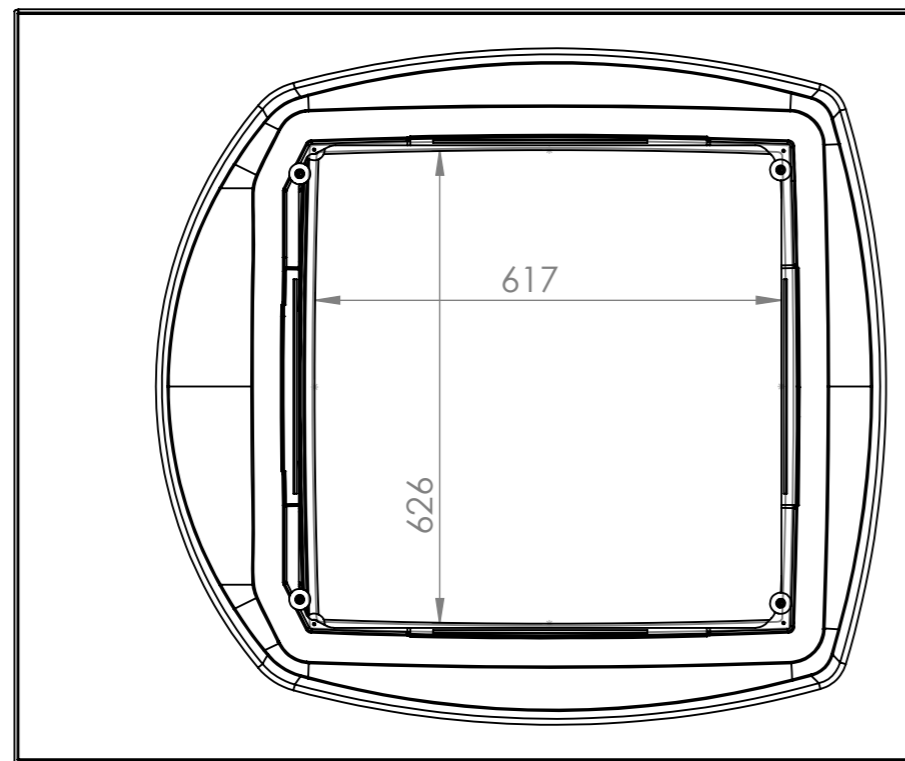
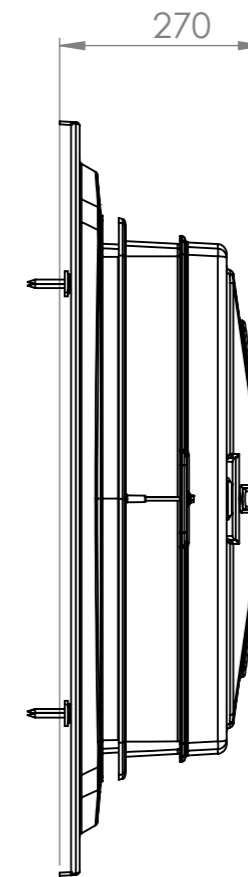
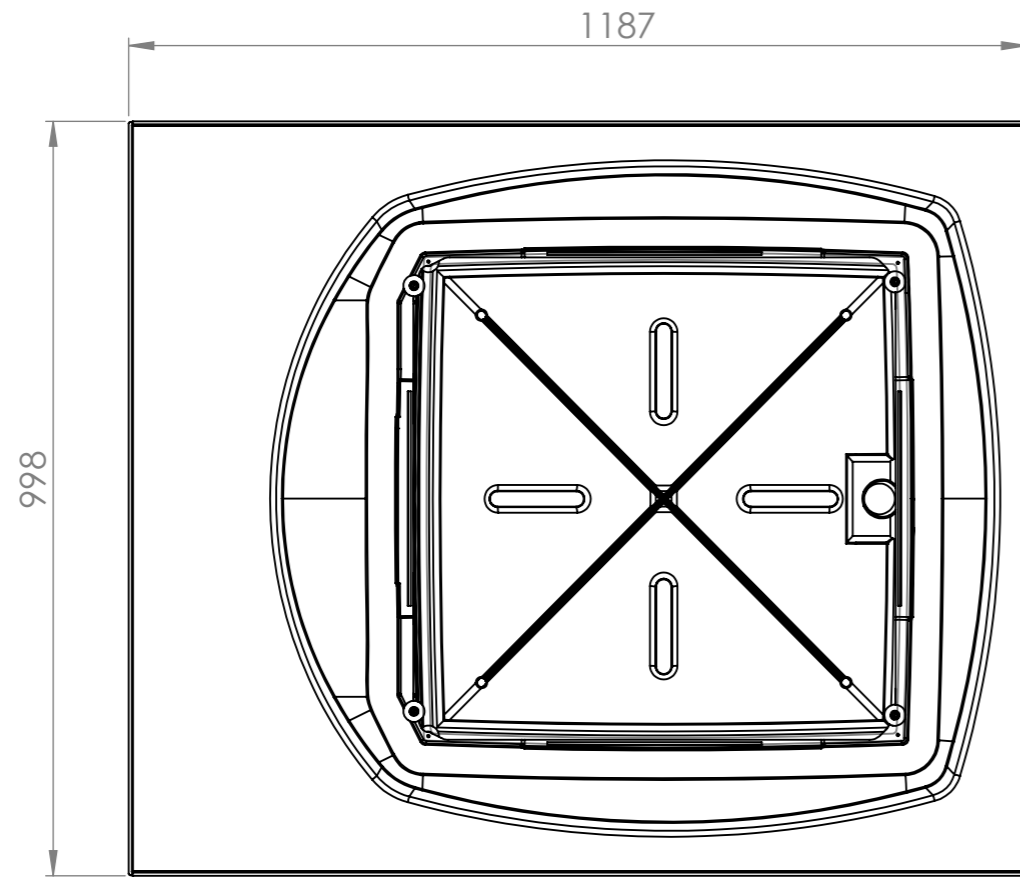


8 7 6 5 4 3 2 1

F
E
D
C
B
A

F
E
D
C
B
A



| | | | | | | | | | | | |
|---|--|--|---------|--|------------------------------------|--|----------------------|--|----------------------|--|--------------|
| UNLESS OTHERWISE SPECIFIED: DIMENSIONS ARE IN MILLIMETERS SURFACE FINISH: TOLERANCES: LINEAR: ANGULAR: | | | FINISH: | | DEBURR AND BREAK SHARP EDGES | | DO NOT SCALE DRAWING | | REVISION | | |
| DRAWN | | | NAME | | SIGNATURE | | DATE | | TITLE: | | |
| CHK'D | | | JPe | | | | 9.11.2021 | | Plastec Kattoluukku | | |
| APPV'D | | | | | | | | | Plastec | | |
| MFG | | | | | | | | | Kokoonpano mittakuva | | |
| Q.A | | | | | | | | | DWG NO. | | A3 |
| | | | | | | | | | Kokoonpano mittakuva | | |
| | | | | | | | | | SCALE:1:10 | | SHEET 1 OF 1 |
| | | | | | | | | | MATERIAL: | | |
| | | | | | | | | | VOLUME: mm3 | | |
| | | | | | | | | | WEIGHT: 7733.85 g | | |

8 7 6 5 4 3 2 1