

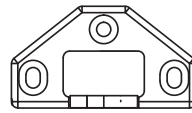
X1

LOCK HOUSING



3*16

X4



STRIKING PLATE

X1



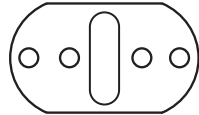
3.5*19

X3



FRONT CASE

X1



STEEL PLATE

X1



3*20

X2

3*16

X4



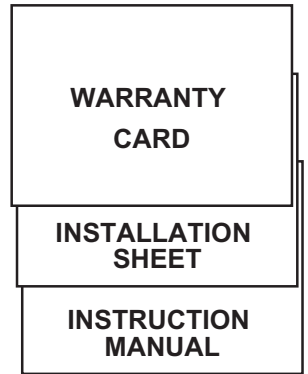
MANAGEMENT CARD

X1



USER CARD

X2



WARRANTY CARD

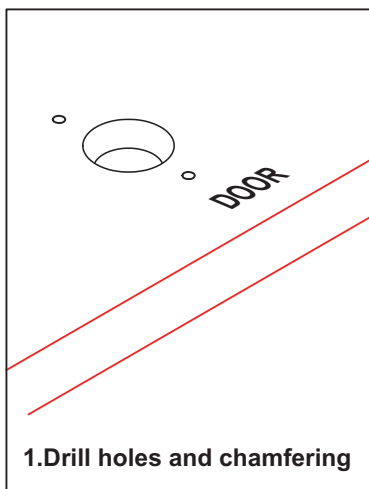
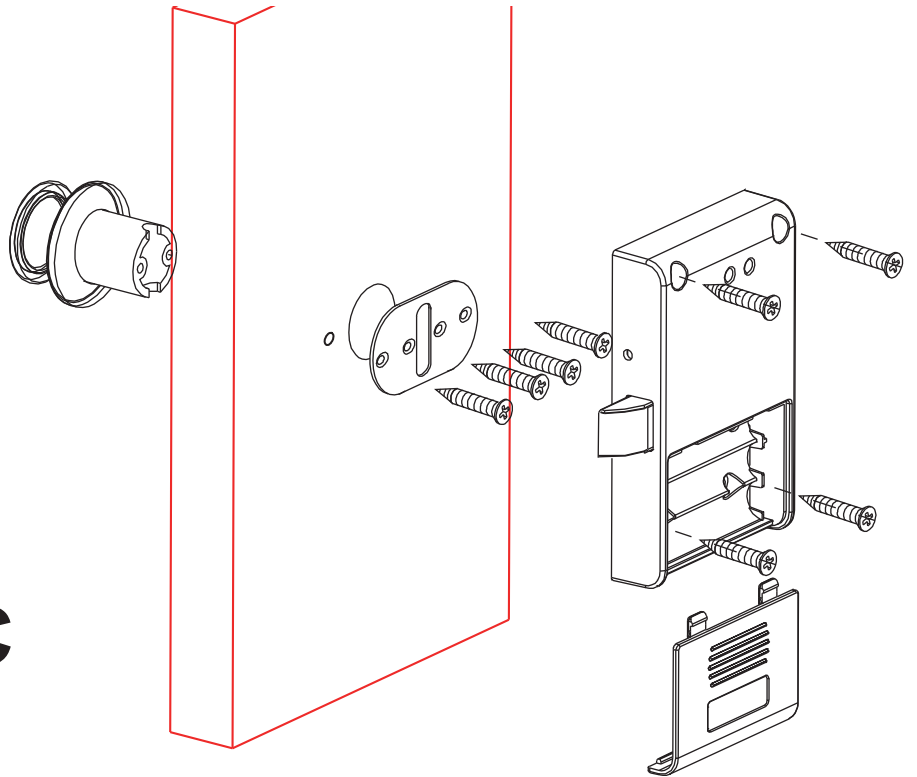
INSTALLATION SHEET

INSTRUCTION MANUAL

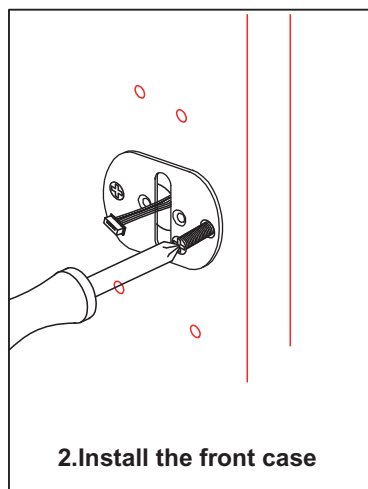
INSTALLATION DIAGRAM

SDWC-507K SDWC-507KC

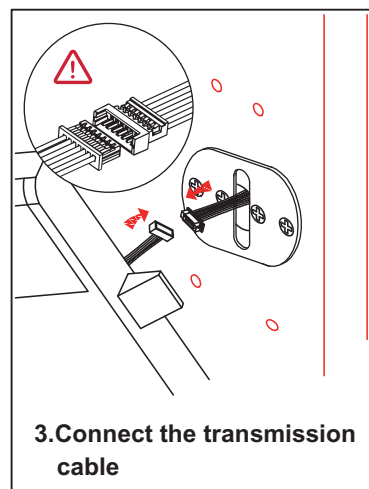
FOR THICKNESS 16-26 MM



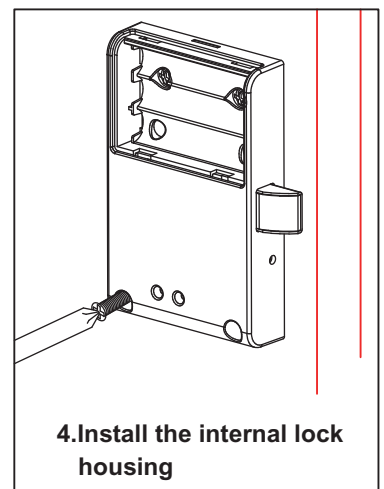
1. Drill holes and chamfering



2. Install the front case



3. Connect the transmission cable

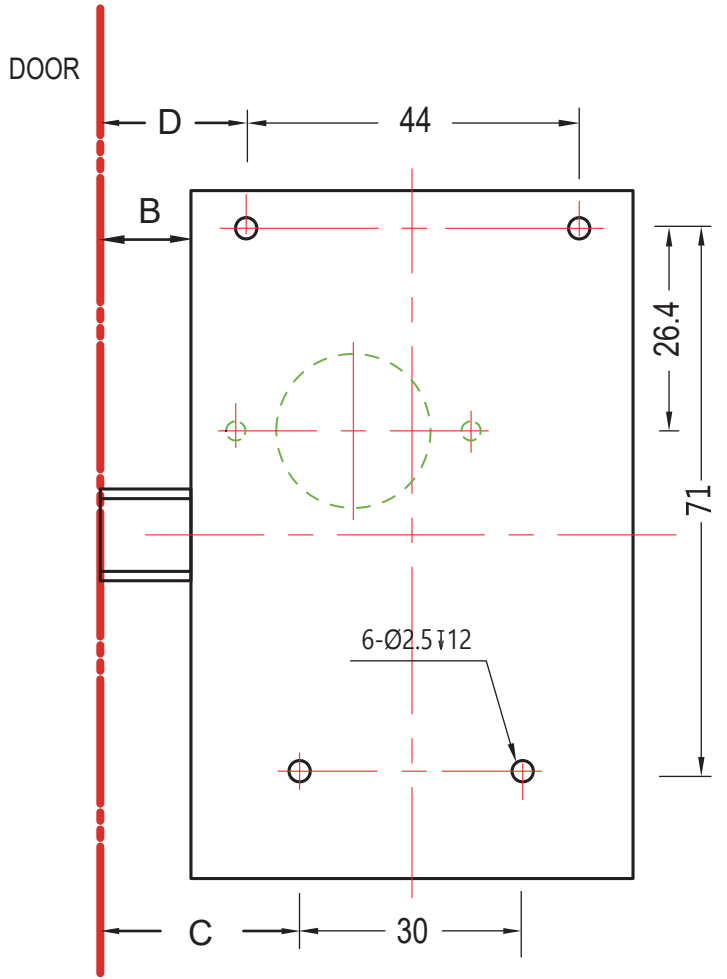
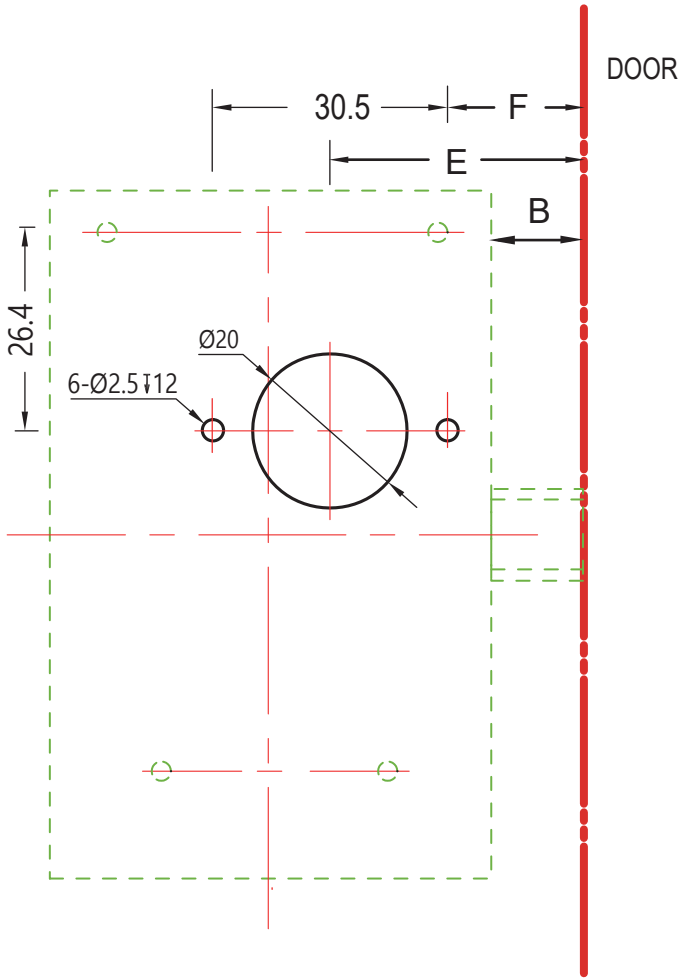


4. Install the internal lock housing

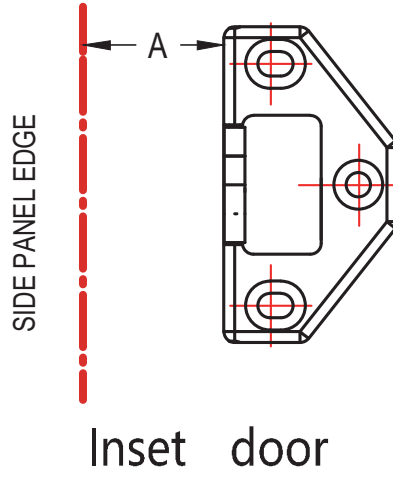
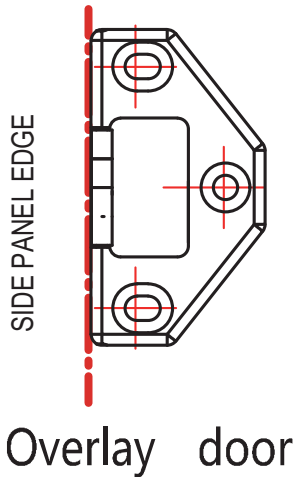
LEFT DOOR

CODE	INSET DOOR	OVERLAY DOOR
B	14mm	14mm+A
C	28mm	28mm+A
D	21mm	21mm+A
E	38mm	38mm+A
F	19.8mm	19.8mm+A

A= THICKNESS OF DOOR



UNIT:mm



RIGHT DOOR

CODE	INSET DOOR	OVERLAY DOOR
B	14mm	14mm+A
C	28mm	28mm+A
D	21mm	21mm+A
E	35mm	35mm+A
F	19.8mm	19.8mm+A

A= THICKNESS OF DOOR

