

# ***READY 3***

(502100731/6438313544197)

Instruction manual

Käyttöohje

Bruksanvisning

Bruksanvisning

Kasutusjuhend

GB

FI

SE

NO

EE

# **CELLO**

## GENERAL INSTRUCTIONS

By purchasing this gas barbecue, you accept the obligation of reading all the instructions on assembly, use, care, and maintenance contained in this manual. Read all the instructions and advice before using the unit. In particular, read and understand all warning and safety instructions before using the gas barbecue. Follow all ignition and operation-related instructions closely. Handle metal parts carefully to avoid injuries. Follow the order of steps.

**THIS BARBECUE IS FOR OUTDOOR USE ONLY. DUE TO OPEN DESIGN OF THE BARBECUE, POSSIBLE FAT LEAKS INTO THE COMPONENTS AND FAT SPILLS OUTSIDE THE BARBECUE, DO NOT USE THE BARBECUE NEAR OR ON TOP OF SENSITIVE SURFACES.**

**FAT OF MARINADE MAY LEAK UNDER THE BARBECUE, ONTO A BOTTOM PLATE OR INTO A CABINET, AND FAT/MARINADE SPLASHES TO THE SURROUNDING SURFACES ARE POSSIBLE. WHEN USING THE BARBECUE, FAT LEAKS OR SPLASHES ARE COMPLETELY NORMAL.**

**THE BARBECUE IS CE-MARKED AND APPROVED IN ACCORDANCE WITH VALID LEGISLATION.**

**ANY STRUCTURAL MODIFICATION OF THE BARBECUE IS PROHIBITED. WHEN ASSEMBLING THE BARBECUE, NO COMPONENTS MAY BE OMITTED OR ANY COMPONENTS ADDED TO THE STRUCTURE.**

## BARBECUE-RELATED WARNINGS AND SAFETY INSTRUCTIONS

1. The barbecue is for outdoor use only.
2. Use of the barbecue for any other purpose than intended may be dangerous.
3. After use always turn off gas supply from the gas cylinder.
4. Follow all assembly instructions. Ignoring of the instructions may cause problems in use.
5. The barbecue heats up during use – be careful if there are pets, children, or the elderly nearby.
6. If you sense a strong smell of gas, turn off gas supply from the gas cylinder immediately. Extinguish all flames by closing the controller for each burner. Open the barbecue lid and check for possible leaks. Carry out a leak test in accordance with the instructions. Repair any leaking joints. If you cannot locate the fault, contact a qualified gas equipment maintenance services provider or the importer.
7. Do not move the barbecue while it is in use or still hot.
8. Do not use or store combustible materials, liquids or gasses near the barbecue.
9. Never check for leaks with open flame.
10. Do not use the barbecue if there are faults.
11. While the barbecue is in use, never disconnect any gas connections from the barbecue or regulator.
12. Never leave the barbecue unattended while in use.
13. Do not allow children to use the barbecue.
14. Clean the barbecue at regular intervals. Be careful not to damage the burner openings and controller nozzles during the cleaning.
15. In particular, the bottom of the barbecue, drip pan, barbecue plate and grid must be kept clean of fat and marinades. Risk of grease fire!
16. Do not use the barbecue under a canopy, next to a wall, inside a garage, motor-caravan or caravan, on board of a boat, in an enclosed area, or indoors. Check that there are no combustible or flammable materials nearby. There must be at least 1 metre (preferably more) of free space around the barbecue in all directions.
17. We recommend servicing and cleaning the barbecue at least once a year. If you are not sure of how to service the unit, instead of servicing it by yourself, contact an authorised gas equipment maintenance services provider.
18. Only a qualified gas equipment maintenance services provider is allowed to service and adjust the barbecue's main valves, gas taps, and valve nozzles.
19. Before using the barbecue after a long period of storage (for example, in spring) and after each replacement of the gas cylinder or installation of new components (such as pressure regulator or gas hose), always carry out a leak test.

20. When lighting the barbecue, the lid must always be open.

21. Use heat-resistant BBQ gloves and sturdy long-handled BBQ utensils when operating the barbecue.

22. Be prepared for possible accidents: make sure you know the location of the first aid kit and fire extinguisher and are capable of using them.

## TECHNICAL SPECIFICATIONS

Modell: Cello Ready 3 (A300)

Total power 10,5 kW

Main burners: 10,5 kW

Side burner:

Gas consumption: 764 g/h

Operating pressure: 30 mbar

Gas: Liquefied petroleum gas (LPG) Category of use: I3 B/P

Main burner nozzle diameter: 0,93 mm

Side burner nozzle diameter:



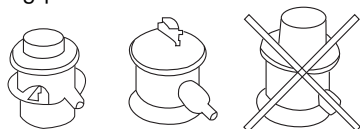
PIN CODE:2531CU-0080

## BEFORE USING THE BARBECUE

### Gas cylinder, gas hose, pressure regulator

The gas hose, low-pressure regulator and hose clamps are not supplied by the manufacturer. These components need to be purchased separately. Acquire a LPG cylinder (min. 5 kg, max. 11 kg), low-pressure regulator (30 mbar), and gas hose from your dealer.

Note! The regulator connected to the cylinder may not be adjustable in any way and must be marked with the operating pressure 30 mbar.



The 30 mbar low-pressure regulators in the picture are suitable for a gas barbecue, while the high-pressure regulator on the right is intended for LPG tools and must not be used with a gas barbecue.

The gas hose used must be a 10 mm LPG hose approved for use in local country; the length may not exceed 1.2 m.

Check the condition of the gas hose on regular basis. Replace worn or damaged hose. Keep the gas hose away from hot parts of the barbecue.

Make sure the gas hose is not twisted in a manner preventing gas flow through the hose.

### Gas cylinder installation

1. Check that all controllers of the barbecue are in the OFF position.
2. Install the gas hose tightly to the low-pressure regulator's hose fitting and the other hose end to the hose fitting on the barbecue. Use hose clamps for tightening.
3. Attach the low-pressure regulator to the gas cylinder. Check the regulator connection to the gas cylinder by pulling the regulator strongly upwards.
4. Open gas supply from the low-pressure regulator slowly, to stabilise the gas pressure.

### Gas cylinder removal

1. Use the low-pressure regulator to turn off the gas flow.
2. Check that all controllers of the barbecue are in the OFF position.
3. Detach the low-pressure regulator from the gas cylinder.  
Do not replace the gas cylinder near open flame or embers.

### Prior to first use

Before first use of the barbecue, carry out full leak testing in accordance with the instructions. Light the barbecue and use all burners at MAX power for approx. 5 minutes (but not longer) with the lid open. After that, close the lid and continue using the barbecue at MAX power for additional 2-3 minutes. Once this is accomplished, the storage grease residues have burned off. Let the barbecue cool for about 15 minutes. Clean the grid and grilling plate by BBQ cleaning brush. Oil the grid and grilling plate with some cooking oil. Now the barbecue is ready for use.

## Leak test

Leak testing is always required in the following cases:

- Before first-time ignition of the barbecue.
- Every time a new gas cylinder is installed or some component replaced.
- We recommend performing the test at least once a year, before every barbecue season.

Always carry out the leak test outdoors, away from heat, open flame, and combustible liquids. Do not smoke while performing the test. Always use 50/50 liquid soap/water solution for leak testing. Never use a match or open flame.

## Always check the following when carrying out a leak test

- Gas cylinder valves and cylinder thread.
- All gas cylinder welds.
- Regulator mounting and gas cylinder connections.
- All hose joints (including side burner hoses, if present).


## Carry out leak testing as follows

- Use a recently filled and checked gas cylinder connected to the barbecue with all of the barbecue connectors in the OFF position.
- Open the pressure regulator.
- Using a brush and soap/water solution, wet all of the connections and components.
- Check carefully for bubbles (signs of gas leakage).
- If bubbles appear next to connections, tighten the connections until retesting shows no sign of leakage (always turn off gas supply for the duration of leakage repairs).
- Close the pressure regulator and make sure the control valves are closed.

Do not use the barbecue if you fail to eliminate a leak. Close the gas cylinder valve, detach the gas cylinder and contact the importer.

## USING THE BARBECUE


### Ignition by battery operated piezo- igniter

1. Always open the barbecue lid before igniting a burner.
2. Turn on gas supply from the cylinder and low-pressure regulator.
3. Press control knob to bottom and turn it anticlockwise till  position.
4. Push ignition button until burner ignites.
5. Adjust the burner flame by turning the controller between high and low power.
6. After the burner has ignited, the rest of the burners can be ignited by turning the corresponding control knobs counter- clockwise.

If burner does not ignite, see troubleshooting table, or ignite with long match.

### Lighting by match in case of piezo igniter failure

Grill firebox's right side has open hole, where grill can be ignited with long match.

1. Always open the lid before lighting the barbecue.
2. Turn on gas supply from the cylinder and low-pressure regulator.
3. Though firebox's open hole place a burning match next to the burner.
4. Push and turn right side control knob till  position. Make sure by looking through the grid and heat distribution panel that the burner has definitely ignited.

If the burner still does not ignite, see the troubleshooting table for help.

**Warning!** Never lean over the barbecue when lighting or using it.

If the burner does not ignite in 10 seconds in spite of repeated attempts, turn off the barbecue controller and cut gas supply from the cylinder. Leave the lid open and wait for at least 5 minutes before re-attempting to light the barbecue. This way, the gas accumulated in the barbecue can escape.

## Using the barbecue

1. When cooking food with the barbecue lid closed, do not use more than one burner at MAX power. In most cases, a single burner at full power is sufficient for food preparation.
2. Never use more than two burners at MAX power simultaneously. Excessive heat may damage the barbecue components.
3. Never leave an operating barbecue unattended, not even for a moment.

## Flame withdrawal from the burner

In windy weather, the wind may push the flame away from the burner. In such cases, the flame will burn under the control panel. At the same time, loud roaring or swishing noise can be heard.

The barbecue must be turned off immediately. If the barbecue is not turned off, the barbecue valve, control panel, and control knobs can be damaged.

Damages caused by wind-related flame withdrawal are not covered by the warranty.

## Turning off the barbecue

1. Close off gas supply from the cylinder to the barbecue.
2. When all of the burner flames have extinguished, turn the burner controllers to the OFF position. Once more, make sure gas supply from the cylinder has been turned off.
3. Detach the pressure regulator from the gas cylinder.

## Flame tamers

This barbecue is provided with flame tamers above the burners. The flame tamers are intended for even distribution of heat over the barbecue area, preventing hot flames from directly contacting the barbecued food, and protection of the burners against the fat, salty liquids and marinades dripping from the food. Lava stones may not be used in this barbecue.

The flame tamers are placed on top of burners, under the barbecue grid. A flame tamer is not used under blank grilling plate. Because of this, the number of flame tamers may differ from the number of burners.

## Preparations

The barbecue needs to be warmed up before cooking food. For this, light up the barbecue and use it at MAX power for approx. 3-5 minutes with the lid down. If the food prepared requires lower cooking temperature, use the controllers to lower the temperature before loading the food. Never use all burners of the barbecue simultaneously at MAX power – otherwise, the barbecue will be too hot for cooking and the gas is wasted. Keeping one or two burners on at a time is usually sufficient, and a low power setting is recommended. Experience will teach you to choose the best setting.

## Cooking time

This is influenced by several factors, and barbecuing experience comes in handy. The time required may depend on the raw materials, size of the barbecued food, and even the weather. Experience suggests that on a hot day, a lower power setting works better, whereas on a cold day a higher power setting could be more favourable. Try cooking various foods at different settings to get the best feel.

## Flare-ups

Flare-ups may increase the temperature inside the barbecue overmuch and intensify fat dripping from the cooked foods, thus adding to the grease fire hazard. Minor flare-ups are normal and beneficial, adding to the pleasant barbecue taste. In order to keep the flare-ups under control, follow these tips:

- Remove visible fat from the meat before barbecuing.
- Cook chicken and pork at a lower power setting.
- Make sure that the fat drain aperture on the barbecue bottom is open and that the drip pan is not full. Empty and wash the drip pan regularly.
- If possible, always cook with the lid down and use the minimum efficient power setting.

If you keep the lid down, the temperature inside the barbecue remains constant and less gas is consumed. Also, the food does not dry out if the lid is down, due to the water vapors and heat released by the LPG gas circulating inside the barbecue.

## Marinades

Marinades are intended for flavouring of the barbecued food. Inside the barbecue, marinades cause sticking of the food to the barbecue grid or grilling plate, may drain under the barbecue or catch fire.

If there is marinade present:

- Before placing the food into the barbecue, wipe off excessive marinade.
- Never pour marinade on barbecued food while inside the barbecue.
- Never apply marinade in which raw meat, chicken, or fish have been kept onto barbecued food by a BBQ brush. Otherwise, the bacteria from raw meat will end up in the cooked food.
- If you want to add taste or shiny surface to the barbecued food, use a brush to apply some barbecue sauce onto the food during the final stage of cooking. Always prepare the sauces separately.

## MAINTENANCE, CLEANING AND STORAGE

### Maintenance and cleaning of the barbecue

To ensure good condition and optimal service of the barbecue over the years, the barbecue and its components require cleaning and maintenance. Perform at least the following operations after each use, as soon as the barbecue has cooled.

### Grilling grids and plates

If barbecued food has stuck to the grilling grids or plates, proceed as follows:

- Use a paper towel to wipe off excessive fat and marinade from the grid. Be thorough – do not leave fat or marinade inside the barbecue, for they may catch fire.
- Ignite the burners according to the instructions. Adjust the burners to maximum power. Close the barbecue lid.
- Let the burners incinerate any food residues, fat, and marinade stuck to the grid and barbecue pan. Use the burners at full power in an empty barbecue for max. 5 minutes, otherwise the barbecue components may overheat.
- Close the burners open the lid and let the components cool for at least 15 minutes, until it is safe to touch them.
- Use a brass BBQ brush to remove burnt food from the grid and barbecue pan. Only a brass brush intended specifically for barbecue cleaning may be used for this. The bristles of an ordinary steel brush are too hard and will spoil the surfaces of barbecue components. **The consequences of using a steel brush are not covered by warranty.**
- Finally, when the grids are clean, apply some cooking oil on them, rendering the barbecue ready for next use.

Any wear or corrosion of the grilling grid and plate due to ordinary use, improper maintenance, or incorrect storage are not covered by the warranty.

### Other barbecue components

The wooden parts of the barbecue must be cleaned as follows:

- All wooden parts must be regularly cleaned by washing with soap/water solution and wiping by a damp cloth.
- Dry the cleaned surfaces carefully.
- Wooden parts must be treated at least 2-3 times a year by cleaning products for outdoor furniture commonly available in stores. This prevents drying and cracking of wooden components. Use the products in accordance with their instructions, but make sure they are suitable for wooden components. A good idea is to try cleaning and care products on some wood component not directly visible, for example, on the underside of the side table, before actual use. This ensures compatibility of the product with wooden parts.

The steel parts of the barbecue must be cleaned as follows:

- All steel parts must be regularly cleaned by washing with soap/water solution and wiping by a damp cloth.
- Dry the cleaned surfaces carefully.
- Texts and images printed on the control panel may only be wiped clean with damp cloth. Do not scrub or use any cleaning agents. A cleaning agent may detach the texts or other markings of the control panel.
- All steel parts, such as the barbecue lid and control panel, must be treated at least 2-3 times a year by steel cleaning and maintenance products available in stores, such as the CRC 5-56 universal spray. This prevents sticking of impurities and occurrence of rust spots on steel surfaces. Use care products in accordance with their instructions, but make sure they are suitable for steel surfaces of the barbecue. A good idea is to try cleaning and care products on some steel component not directly visible, for example, in the rear corner of the lid, before actual use. This ensures compatibility of the product with the steel parts of the barbecue.
- Use cleaning and maintenance products only on the outer surfaces of the barbecue.

Drip pan under the barbecue:

- The drip pan under the barbecue must be emptied whenever there are marinade and fat drips from the barbecue. Avoid formation of fat pools on the drip pan, as they may catch fire.
- Clean the drip pan by washing it in kitchen sink. Cleaning of the drip pan can be made

easier by covering it with a sheet of baking paper and a sheet of aluminium foil. Use a couple of small stones to keep them in place. When there is fat and marinade on the drip pan, remove and discard the foil and the baking paper. Do not put sand on the drip pan.

**Attention!** The fat and marinade on the drip pan may catch fire. The warranty does not cover grease fire-induced damages to the barbecue.

The flame tamers must be cleaned as follows:

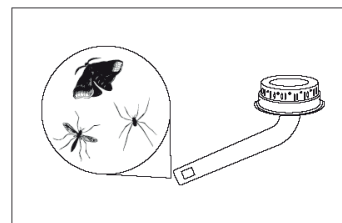
- When the grids and grilling plate have been cleaned according to instructions, lift them out of their seats.
- Clean the heat distribution panels using a BBQ cleaning brush.
- Alternatively, you can wash the heat distribution panels in kitchen sink. Do not use a dishwasher for washing the panels.
- After cleaning, put the flame tamers back to their places.
- Put back the grid and grilling plate.

Any wear or corrosion of the heat distribution panels due to ordinary use, improper maintenance, or incorrect storage are not covered by the warranty.

## Burners

The condition and functionality of the burners and valves of the barbecue must be checked regularly. Detach the burners and check their condition at least two times per year. All burner openings must be checked and possible blockages cleared. At the same time, check that the valve nozzle is clean.

During transport/storage or between barbecue sessions, small insects (such as spiders) may crawl into the gas supply tubes and build nests or webs there.



This may prevent gas from arriving to the venturi tube, causing yellowish, smoky flame at the burner or rendering lighting of the burner impossible. This could even result in combustion

of the gas outside the supply tube, which may seriously damage the barbecue.

In case of such problems, close off gas supply and wait for the barbecue to cool. When the barbecue has cooled, remove the burner according to the instructions and clean the venturi tubes by brush or pipe cleaner. Reinstall the burner according to the instructions and make sure the gas supply tubes have been installed onto the gas valve nozzles.

If a gas fire has occurred outside the venturi tube, before re-igniting the barbecue, check the condition of all its components. If there are damaged components, do not use the barbecue. Contact the importer.

Gas supply tubes must be cleaned regularly, in particular, at the beginning of each barbecue season.

The warranty granted to the barbecue does not cover damages caused by blocked gas supply tubes or blocked valve nozzle.

To clean the burners, proceed as follows:

- Remove the barbecue grid, grilling plate and flame tamers.
- Remove the burner from the barbecue's firebox by unscrewing the burner fixation screw. The screw is located at the rear end of the burner.
- Use a thin wire to clean the burner openings. Replace any damaged or extensively corroded burners as soon as possible.
- At the same time, check that the valve nozzle is clean.

If the burners are in good condition, reinstall them in the correct position.

- When reinstalling the burner to the barbecue, make sure that the valve nozzle enters into the burner's gas supply aperture.
- Attach the burner to the barbecue's firebox using the fixation screw.
- Put back the flame tamers, grid and grilling plate.

The warranty does not cover use-related wear or corrosion of the burners.

## **Storage**

When the barbecue season is over and the barbecue must be stored for the winter, do at least the following:

- Thoroughly clean the barbecue. Wash the barbecue components by dishwashing brush and soap/water solution. Wash the burner box and lid of the barbecue from the inside as well. Rinse thoroughly.
- Re-assemble the barbecue and turn it on for about 20 minutes, until it is completely dry.
- Let the barbecue cool down again.
- Clean the grid and grilling plate using a BBQ cleaning brush.
- Oil the grid and grilling plate with some cooking oil.
- Remove burners according to the instructions.
- Wrap the burners, grid and grilling plate, warming rack, and flame tamers loosely with newspaper and store the components indoors, in a dry and warm place.
- Treat the wooden components of the barbecue with wood oil.
- Detach the pressure regulator from the gas cylinder.

If you intend to store the barbecue outdoors, use a decent protection cover sold separately. Such a protection cover protects the barbecue from top to bottom and stays in place even in windy weather. Make sure there is air circulation under the protection cover. The barbecue must always be stored at least under a canopy, protected against direct rain or snowfall. Make sure snow dropping from the roof cannot damage the barbecue.

The warranty does not cover damages caused by dropping snow or strong wind (toppling of the barbecue).

## **Barbecue components to be stored indoors**

The following barbecue components must be stored indoors, in a dry place over the winter:

- Cast iron grid and grilling plate
- Warming rack
- Burners
- Flame tamers



## Gas cylinder storage

When the barbecue is not in use, gas flow from the cylinder to the barbecue must be turned off. The gas cylinder needs to be stored outdoors, in a well-ventilated place. Do not store the gas cylinder in a garage, basement, attic, or next to a heater.

## WARRANTY AND WARRANTY PROCEDURE

### Warranty

This barbecue and its components are covered by a two-year manufacturing and materials warranty. Keep the sales receipt, make a copy of the receipt and attach it to these instructions for use as a warranty certificate. In warranty matters, reliable verification of the place of purchase and date of purchase must be possible.

The warranty does not cover normal wear of the components, warping or cracking of wooden parts, corrosion of components or surfaces, faults induced by corrosion, faults and damages caused by improper use or inadequate maintenance of the unit.

Discoloration of steel surfaces, spotting and darkening are normal consequences of use and the passage of time. Especially in humid and salty environments, spot corrosion of steel surfaces is possible, for which reason use of steel care products in accordance with the instructions is very important. Such possible spot corrosion does not interfere with use of the unit and occurrence of the corrosion is completely normal for steel surfaces, for which reason it is not covered by the warranty.

If you should discover a fault of the product or product component during the warranty period, please contact the purchase place of the barbecue. The importer will take care of all warranty procedures. The importer will deliver a new component to replace the damaged or missing component, but will not be responsible for installation of the new component. In case of self-assembled barbecues, the customer is always

responsible for replacement of components, in accordance with the barbecue's instructions. Failure to follow said instructions will void the warranty and the use will not comply with the product certificate.

Use of the product for commercial production, sales, or leasing purposes will void the warranty. The following barbecue components are subject to use-related wear, for which reason the warranty does not cover any wear or corrosion thereof due to the use.

- Cast iron or stainless tube burners
- Barbecue grids and grilling plates
- Warming rack
- Flame tamers
- Grease tray

### Warranty

If a fault is discovered in the product or product component during the warranty period, or if components are found missing during the assembly of the barbecue, contact the place of purchase.

Before submitting a warranty claim, carefully read the instructions for use and make sure that the claim is not related to improper use or lack of maintenance. In warranty matters, the following data must be submitted to the place of purchase:

- The brand and model of the barbecue
- The cause for the claim
- The part number of the defective part according to the parts list

## TROUBLESHOOTING GUIDE

Problem	Possible causes	Remedy
Impossible to light burner (with igniter or match)	<ul style="list-style-type: none"> <li>The burner openings are blocked</li> </ul>	<ul style="list-style-type: none"> <li>Clear the blockages</li> </ul>
The burners do not produce enough heat	<ul style="list-style-type: none"> <li>Gas cylinder valve is not open</li> </ul>	<ul style="list-style-type: none"> <li>Open gas cylinder valve</li> </ul>
	<ul style="list-style-type: none"> <li>Burners are not fitted properly to barbecue valves</li> </ul>	<ul style="list-style-type: none"> <li>Make sure barbecue burners are fitted to valves</li> </ul>
	<ul style="list-style-type: none"> <li>Burner air inlet is blocked</li> </ul>	<ul style="list-style-type: none"> <li>Clean or replace burner</li> </ul>
	<ul style="list-style-type: none"> <li>Cylinder is empty or almost empty</li> </ul>	<ul style="list-style-type: none"> <li>Replace with new cylinder</li> </ul>
	<ul style="list-style-type: none"> <li>Regulator is not fitted properly to cylinder</li> </ul>	<ul style="list-style-type: none"> <li>Check regulator connection to cylinder</li> </ul>
	<ul style="list-style-type: none"> <li>Gas supply is blocked</li> </ul>	<ul style="list-style-type: none"> <li>Straighten gas hose</li> </ul>
Yellow, smoky flame	<ul style="list-style-type: none"> <li>Burner air inlet openings are blocked</li> </ul>	<ul style="list-style-type: none"> <li>Clear the blockages</li> </ul>
	<ul style="list-style-type: none"> <li>Lots of salt or marinade on burner surfaces</li> </ul>	<ul style="list-style-type: none"> <li>Clean burners</li> </ul>
Burner can be lit with match, but not with igniter	<ul style="list-style-type: none"> <li>Poor conductor contact</li> </ul>	<ul style="list-style-type: none"> <li>Check all connections for tightness</li> </ul>
	<ul style="list-style-type: none"> <li>Defective igniter or electrode</li> <li>Poor grounding</li> </ul>	<ul style="list-style-type: none"> <li>Make sure the burner and igniter are installed correctly</li> </ul>
	<ul style="list-style-type: none"> <li>Defective igniter</li> </ul>	<ul style="list-style-type: none"> <li>Replace igniter</li> </ul>
Flame goes out	<ul style="list-style-type: none"> <li>Windy weather</li> </ul>	<ul style="list-style-type: none"> <li>Move barbecue away from wind</li> </ul>
	<ul style="list-style-type: none"> <li>Cylinder almost empty</li> </ul>	<ul style="list-style-type: none"> <li>Replace cylinder</li> </ul>
Excessive heat excessive flare-ups	<ul style="list-style-type: none"> <li>Fat-rich food</li> </ul>	<ul style="list-style-type: none"> <li>Trim excess fat and reduce burner power</li> </ul>
	<ul style="list-style-type: none"> <li>Blocked fat drain from barbecue</li> </ul>	<ul style="list-style-type: none"> <li>Clean the fat collector and burners</li> </ul>
	<ul style="list-style-type: none"> <li>Cooked food is not positioned correctly</li> </ul>	<ul style="list-style-type: none"> <li>Position cooked food correctly.</li> </ul>
Flames under control panel	<ul style="list-style-type: none"> <li>Blocked burners</li> <li>Strong wind</li> </ul>	<ul style="list-style-type: none"> <li>Shut off gas immediately, allow barbecue to cool down and clean burners</li> </ul>
Regulator humming	<ul style="list-style-type: none"> <li>This is not a defect or a hazard</li> </ul>	<ul style="list-style-type: none"> <li>A temporary situation caused by high outside air temperature and full cylinder</li> </ul>
Incomplete flame	<ul style="list-style-type: none"> <li>The flame is visibly yellow</li> </ul>	<ul style="list-style-type: none"> <li>Clean or replace burner and check for burner blockages</li> </ul>
The flame is too big	<ul style="list-style-type: none"> <li>You are using the wrong type of pressure regulator.</li> </ul>	<ul style="list-style-type: none"> <li>Replace with 30 mbar pressure regulator</li> </ul>

## YLEISET OHJEET

Ottaessasi tämän kaasugrillin käyttöön olet samalla velvoitettu lukemaan kaikki tässä käyttöohjeessa olevat kasaamis-, käyttö-, hoito- ja huolto-ohjeet. Lue kaikki ohjeet ja neuvot ennen kuin käytät laitetta. Erityisesti sinun tulee lukea ja ymmärtää kaikki varoitukset- ja turvaohjeet ennen kaasugrillin käyttöä. Seuraa tarkoin syntytykseen ja käyttöön liittyviä ohjeita. Käsittele metalliosia varovasti, ettet loukkaa itseäsi. Seuraa kaikkia kohtia järjestyksessä.

### **TÄMÄ GRILLI ON TARKOITETTU AINOASTAAN ULKOKÄYTTÖÖN.**

**JOHTUEN GRILLIN AVONAISESTA RAKENTEESTA, MAHDOLLISISTA RASVAVALUMISTA RAKENTEISSA JA RASVAN ROISKUMISESTA GRILLIN ULKOPUOLELLE, ÄLÄ KÄYTÄ GRILLIÄ ARKOJEN PINTOJEN LÄHEISYYDESSÄ TAI PÄÄLLÄ.**

**GRILLISTÄ SAATTAÄ VALUA RASVAA TAI MARINADEJA GRILLIN ALLE, ALATASOLLE TAI KAAPPIIN, SEKÄ NIITÄ SAATTAÄ ROISKUA GRILLIN YMPÄRISTÖÖN. RASVAVALUMAT TAI ROSKEET OVAT NORMAALI ILMIÖ KÄYTETTÄESSÄ GRILLIÄ.**

**GRILLI ON CE-MERKITTY JA SE ON VOIMASSA OLEVIENTÄ ASETUSTEN MUKAISESTI HYVÄKSYTTY. GRILLIN PIENIKIN RAKENTEELLINEN MUUTAMINEN ON KAIKILTA OSIN KIELLETTY. GRILLIN KASAUKSESSA EI MITÄÄN OSIA SAA RAKENTEESTA JÄTTÄÄ POIS, MYÖSKÄÄN MITÄÄN OSIA RAKENTEeseen EI SAA LISÄTÄ.**

### **GRILLIIN LIITTYVÄT VAROITUKSET JA TURVAOHJEET**

1. Grilli on tarkoitettu ainoastaan ulkokäyttöön.
2. Grillin käyttäminen muuhun kuin suunniteltuun tarkoitukseen voi aiheuttaa vaaraa.
3. Sulje kaasuntulo kaasupullolta aina käytön jälkeen.

4. Seuraa kaikkia asennusohjeita. Jos ohjeita ei seurata, voi ilmetä ongelmia käytössä.
5. Grilli kuumenee käytön aikana, ole tarkkaavainen jos lähetyvillä on lemmikkejä, lapsia tai vanhuksia.
6. Jos tunnet voimakasta kaasun hajua, sulje kaasuntulo kaasupullolta välittömästi. Sammuta kaikki palavat liekit sulkemalla jokaisen polttimen säädin. Avaa grillin kansi ja tarkista mahdolliset vuodot. Tee vuototesti ohjeiden mukaan. Korjaa mahdolliset vuotavat liitokset. Jos et löydä vikaa, ota yhteyttä kaasuasennusliikkeeseen tai ostopaikkaan.
7. Älä siirrä grilliä käytön aikana tai kun grilli on vielä kuuma.
8. Älä käytä tai säilytä palavia materiaaleja, nesteitä tai kaasuja grillin läheisyydessä.
9. Älä koskaan tarkista kaasuvuotoa avotulella.
10. Älä käytä grilliä jos siinä on vikaa.
11. Älä irrota mitään kaasuliitoksia grillistä tai säätimestä kun grilli on käytössä.
12. Älä koskaan jätä grilliä vartioimatta käytön aikana.
13. Älä anna lasten käyttää grilliä.
14. Grilli täytyy puhdistaa säännöllisin väliajoin. Varo ettet vaurioita polttimien aukkoja ja säätimien suuttimia puhdistuksen aikana.
15. Etenkin grillin pohja, rasvapelti, parila ja ritilä tulee pitää puhtaana rasvasta ja marinadeista. Rasvapalon vaara.
16. Älä käytä grilliä katoksen alla, seinän vieressä, autotallissa, matkailuautossa tai –vaunussa, veneessä, suljetussa tilassa tai sisätiloissa. Tarkista ettei lähetyvillä ole palavia tai syttyviä materiaaleja. Vapaata tilaa täytyy olla grillin sivuilla joka suuntaan vähintään yksi metri, mielellään enemmän.
17. Suosittelemme huoltamaan ja puhdistamaan grillin vähintään kerran vuodessa. Jos et ole varma miten laite huolletaan, älä yritä itse huoltaa laitetta, vaan anna valtuutetun kaasuhoitoliikkeen tehdä huolto.
18. Vain kaasuasennusoikeudet omaava huoltoliike saa huoltaa ja säätää grillin pääventtiileitä, kaasuhanoja ja venttiilien suuttimia.
19. Tee grillille aina vuototesti kun otat sen käyttöön pitkän varastointiajan jälkeen esim. keväällä ja aina kun

vaihdat kaasupullon tai olet asentanut uusia osia järjestelmään, kuten paineensäätimen tai kaasuletkun.

20. Grillin kansi täytyy olla aina auki kun sytytät grillin.

21. Käytä kuumaa kestäviä grillihanskoja ja tukevia pitkävartisia grillaustarvikkeita apuvälineenä kun käytät grilliä.

22. Valmistaudu mahdolliseen onnettomuuteen niin että tiedät missä ensiapupakkaus ja käsisammutin ovat, ja että osaat käyttää niitä.

## TEKNISET TIEDOT

Malli: Cello Ready 3 (A300)

Kokonaisteho, pääpoltin: 10,5 kW

Kokonaisteho, sivupoltin: 10,5 kW

Kaasunkulutus: 764 g/h

Käyttöpaine: 30 mbar

Kaasu: Nestekaasu

Käyttöluokka: I3B/P

Pääpolttimen suuttimen halkaisija: 0,93 mm

Sivupolttimen suuttimen halkaisija:



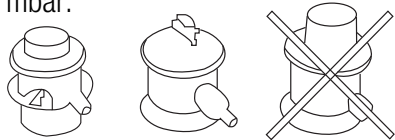
2531-19

TUNNISTEKOODI:2531CU-0080

## ENNEN GRILLIN KÄYTTÖÄ

### Kaasupullo, kaasuletku ja paineensäädin

Grillin mukana ei toimiteta kaasuletkua, matalapaineensäädintä eikä letkukiristimiä. Ne myydään erikseen. Hanki vähintään 5 kg ja enintään 11 kg nestekaasupullo, matalapaineensäädin (29-30 mbar) ja kaasuletku jälleenmyyjältäsi. Huom.! Pulloon liitettävä paineensäädin ei saa olla millään tavoin säädettävissä ja siinä pitää lukea, että säätimen käyttöpaine on 29-30 mbar.



Kuvassa 29-30 mbar matalapaineensäätimet, jotka ovat oikea valinta kaasugrillille sekä oikealla korkeapaineensäädin, joka on tarkoitettu nestekaasutyökaluille eikä sitä saa käyttää kaasugrillissä.

Kaasuletku pitää olla Suomessa hyväksytyä halkaisijaltaan 10 mm nestekaasuletkua ja sen pituus saa olla enintään 1,2 m.

Tarkista kaasuletkun kunto säännöllisesti. Vaihda kulunut tai vaurioitunut letku uuteen. Pidä huoli, ettei kaasuletku ota kiinni grillin kuumiin osiin.

Katso, ettei kaasuletku ole kiertynyt tiukalle mutkalle, joka estää kaasun virtauksen kaasuletkussa.

Käytä grillin alla olevaa tasoa vain kaasupullon säilyttämiseen. Kun käytät grilliä, ota kaasupullo aina pois grillin alta turvallisuus syistä.

### Kaasupullon asennus

1. Tarkasta että kaikki grillin säätimet ovat kiinni asennossa (OFF).

2. Asenna kaasuletku tiiviisti matalapaineensäätimen letkuistukkaan ja toinen pää grillissä olevaan letkuistukkaan. Käytä kiristykseen letkuklemmareita.

3. Kiinnitä matalapaineensäädin kaasupulloon. Tarkista säätimen kiinnitys kaasupulloon vetämällä säätimestä voimakkaasti ylöspäin.

4. Avaa kaasuntulo matalapaineensäätimestä hitaasti, että kaasunpaine tasaantuu.

### Kaasupullon irrotus

1. Sulje kaasunvirtaus matalapaineensäätimestä.

2. Tarkasta että kaikki grillin säätimet ovat kiinni asennossa (OFF).

3. Irrota matalapaineensäädin kaasupullosta.

Älä vaihda kaasupulloa avotulen tai hiilloksen läheisyydessä.

### Grillin käyttöönotto

Ennen ensimmäistä grillin käyttökertaa, tee sille täydellinen vuototesti ohjeiden mukaisesti. Sytytä grilli ja käytä kaikkia polttimia Max-teholla noin 5 minuuttia kansi auki, älä yhtään kauemmin. Sen jälkeen sulje kansi ja jatka grillin käyttöä Max-teholla vielä 2-3 minuutin ajan. Kun tämä on suoritettu, on grillistä varastorasvat poltettu pois. Anna grillin jäähtyä noin 15 minuuttia. Puhdista ritilä ja parila grillinpuhdistusharjalla. Öljyä ritilä ja parila ruokaöljyllä. Nyt grilli on valmis käyttöön.

# CELLO

## Vuototesti

Vuototesti tulee suorittaa aina seuraavissa yhteyksissä:

- Ennen grillin sytyttämistä ensimmäistä kertaa.
- Joka kerta kun täysi kaasupullo vaihdetaan tilalle tai jokin osa vaihdetaan.
- Vähintään kerran vuodessa, on suositeltavaa tehdä testi ainakin käyttökauden alussa.

Vuototesti täytyy tehdä aina ulkona, etäällä kuumuudesta, avotulesta ja tulenaroista nesteistä. Älä tupakoi testiä suorittaessasi. Käytä ainoastaan nestesaippuan ja veden seosta 50/50 vuototestiin. Älä koskaan käytä tulitikkua tai avotulta.

## Seuraavat asiat täytyy aina tarkistaa vuototestissä

- Kaasupullon venttiilit sekä pullon kierteet.
- Kaikki kaasupullon hitsaukset.
- Säätimen kiinnitykset ja kaasupullon liitännät.
- Kaikki letkuliitokset, sekä sivupolttimen letkut jos niitä on.

## Tee vuototesti seuraavasti

- Käytä hiljattain täytettyä ja tarkastettua kaasupulloa, joka on liitetty grilliin, ja kaikki grillin säätimet kiinni-asennossa (OFF).
- Avaa paineensäädin.
- Käyttämällä harjaa ja saippuavettä, kastele kaikki kohdassa mainitut liitokset ja osat.
- Katso huolellisesti muodostuvia kuplia, jotka ilmaisevat kaasuvuotoa.
- Kiristä liitoksia kuplivissa kohdissa kunnes uudesti testattaessa ei havaita vuodon merkkejä (Sulje kaasuntulo aina vuotojen korjaamisen ajaksi).
- Sulje paineensäädin ja varmista, että säätöventtiilit ovat kiinni.

Älä käytä grilliä ellei vuotoja saa korjattua. Sulje kaasupullon venttiili, irrota kaasupullo ja ole yhteydessä maahantuojaan.

## GRILLIN KÄYTTÄMINEN

### Polttimen sytyttäminen paristotoimisella piezo-sytyttimellä

1. Avaa grillin kansi aina kun sytytät polttimen.
2. Avaa kaasun tulo pullosta ja matalapainesäätimeistä.
3. Paina ja käännä säädin FLAME SYMBOL-asentoon.
4. Paina piezo-sytytin pohjaan, kunnes grillin poltin syttyy.
5. Säädä polttimen liekkiä kääntämällä säädintä ison ja pienen tehon välillä.
6. Kun poltin on syttynyt, voidaan loput polttimet sytyttää kääntämällä poltinta vastaavaa säätönuppia vastapäivään.

Jos poltin ei syty, katso ongelmanratkaisutaulukko tai sytytä grilli pitkän tulitikun avulla.

### Sytyttäminen tulitikulla, jos paristotoiminen piezo ei toimi.

### Grillin tulilaatikon oikeassa päädyssä olevaa ilmanottoaukkoa aukkoa voidaan käyttää grillin sytyttämiseen.

1. Avaa grillin kansi aina kun sytytät grillin.
2. Avaa kaasun tulo pullosta ja matalapainesäätimestä.
3. Työnnä sytytetty tulitikku tulilaatikon aukkoon, polttimen viereen.
4. Paina ja käännä oikeanpuoleinen säädin FLAME SYMBOL -asentoon, jolloin polttimen pitäisi sytyä. Varmistu katsomalla ritilän ja lämmönjakolevyn läpi, että poltin on varmasti syttynyt.

Jos poltin ei vielä kukaan syty, katso ongelmanratkaisutaulukosta apua.

**Varoitus!** Älä milloinkaan kumarru grillin päälle, kun sytytät tai käytät grilliä.

Jos grillin poltin ei syty useista yrityksistä huolimatta 10 sekunnin aikana, sulje grillin säädin ja kaasun tulo pullosta. Jätäkansi auki ja odota vähintään 5 minuuttia ennen kuin yrität uudelleen sytyttää grillin. Näin grilliin kerääntynyt kaasu tuulettuu pois.

## Grillin käyttäminen

1. Älä käytä enempää kuin yhtä poltinta Max teholla kun valmistat ruokaa grillissä kansi kiinni. Usein tämä yhden polttimen teho riittää ruoan valmistukseen.
2. Älä koskaan käytä enempää kuin kahta poltinta täysillä samanaikaisesti. Liika kuumuus voi vaurioittaa grillin osia.
3. Älä koskaan jätä päällä olevaa grilliä hetkeksikään vartioimatta.

## Liekin vetäytyminen polttimen juureen

Tuulisella säällä on mahdollista, että tuuli painaa liekin pois polttimesta. Tällöin liekki jää palamaan ohjauspaneelin alle. Samalla kuuluu voimakas kohiseva tai röpöttävä ääni.

Tällöin grilli on sammutettava välittömästi. Jos grilliä ei sammuteta, voivat grillin venttiili, ohjauspaneeli ja säätönupit vaurioitua.

Tuulen aiheuttaman liekin vetäytymisen aiheuttamat vauriot eivät kuulu takuun piiriin.

## Grillin sammuttaminen

1. Sulje kaasuntulo pullosta grilliin.
2. Kun kaikki liekit ovat polttimista sammuneet, käännä polttimien säätimet kiinni OFF-asentoon. Varmistu vielä että kaasun tulo pullosta on varmasti kiinni.
3. Irrota paineensäädin kaasupullostasta.

## Lämmönjakopellit

Tässä grillissä on lämmönjakopellit polttimien yläpuolella. Lämmönjakopeltien tehtävä on jakaa lämpö tasaisesti grillausalueelle, estää kuuman liekin osumista suoraan grillattaviin tuotteisiin sekä suojella polttimia ruoasta tippuvilta rasvoilta, suolaisilta nesteiltä sekä marinadeilta.

Grillissä ei käytetä laavakiviä. Lämmönjakopellit laitetaan grillausritilän alapuolella olevien polttimien päälle. Umpiparilan alla ei käytetä lämmönjakopeltiä. Tästä johtuen lämmönjakopeltien lukumäärä on eri kuin grillin polttimien lukumäärä.

## Esivalmistelut

Grilli pitää kuumentaa ennen ruokien laittoa grilliin. Tämä tehdään sytyttämällä grilli ja käyttämällä sitä Max-teholla noin 3-5 minuuttia kansi alhaalla. Jos valmistettava ruoka vaatii alhaisempaa lämpötilaa kypsennykseen, käännä tehoa säätimistä pienemmälle ennen ruoan laittamista grilliin. Älä käytä grillin kaikkia polttimia koskaan grillatessa Max-teholla samaan aikaan, koska grilli on silloin tarpeettoman kuuma ruoan valmistukseen, ja kulutat turhaan kaasua. Yleensä riittää että yksi - kaksi poltinta on samaan aikaan päällä, ja nekin pienellä teholla. Grillauskokemuksesta on hyötyä tässä asiassa.

## Kypsennysaika

Tähän vaikuttaa moni asia ja grillauskokemuksesta on hyötyä. Raaka- aineet, grillattavan ruoan koko ja jopa säätötila voivat vaikuttaa kypsennysaikaan. Kokeemus näyttää, että kuumana päivänä, matalampi tehoasento toimii paremmin ja kylmänä päivänä korkeampi tehoasento voi toimia paremmin. Parhaan tuntuman grilliin saa kokeilemalla eri ruokia, eri tehoilla.

## Liekkien leimahtelu

Liekkien leimahtelu voi nostaa grillin sisälämpötilaa liikaa ja lisätä rasvan tippumista grillattavista ruoista, näin lisäten rasvapalon vaaraa. Joskin vähäinen leimahtelu on normaalia ja suotavaa, koska se antaa ruokaan mukavasti grillauksen makua. Liekkien leimahtelun pitämiseksi sopivana, toimi seuraavasti:

- Poista näkyvä rasva lihasta ennen grillaamista.
- Kypsytä kanan- ja possunliha pienemmällä teholla.
- V armista, että rasvanpoistoaukko grillin pohjassa on auki ja ettei rasvapelti ole täynnä. Tyhjennä ja pese rasvapelti säännöllisesti.
- Grillaa mahdollisuuksien mukaan aina kansi alhaalla ja käytä alinta tehokasta tehonsäätöasetusta.

Pitämällä grillatessa kannen alhaalla, pysyy grillissä lämpötila tasaisena ja grilli kuluttaa vähemmän kaasua. Myös ruoka ei kuivu kannen ollessa alhaalla, johtuen nestekaasuliekin vapauttamasta vesihöyrystä ja lämmöstä, joka grillissä kiertää.

## Marinadit

Marinadien tehtävä on maustaa grillattavat tuotteet. Grillin sisällä marinadit aiheuttavat tuotteiden kiinnipalamista grillausritilään tai – parilaan, voivat valua grillin alle tai ne voivat syttyä palamaan.

Kun marinointi on suoritettu:

- Ennen grilliin laittamista, poista ylimääräiset marinadit pyyhkimällä ne paperilla.
- Älä koskaan kaada marinadia grillissä olevien grillattavien tuotteiden päälle.
- Älä koskaan penslaa grillaussudilla marinadia grillattavien tai grillatuiden tuotteiden päälle, jossa liha, broileri tai kala on ollut raakana. Raa'an lihan bakteerit päätyvät muuten valmiiseen tuotteeseen.
- Jos halutaan lisätä makua tai kiiltävää pintaa grillattuihin tuotteisiin, voi grillauksen loppuvaiheessa penslata maustekastikkeita tuotteisiin. Valmista ne aina erikseen.

## GRILLIN HUOLTO, PUHDISTUS JA VARASTOINTI

### Grillin huolto ja puhdistus

Jotta grilli pysyy hyvässä kunnossa ja siitä saisi parhaan hyödyn useiksi vuosiksi, täytyy grilliä ja sen osia myös puhdistaa ja huoltaa. Tee vähintään seuraavasti aina jokaisen käyttökerran jälkeen heti kun grilli on jäähtynyt.

### Grillin grillausritilät ja -parilat

Jos grillin grillausritilöihin ja -pariloihin on jäänyt grillattavaa ruokaa kiinni, toimi seuraavassa järjestyksessä:

- Pyyhi talouspaperilla ylimääräinen rasva ja marinadit ritilöistä pois. Pyyhi tarkkaan, rasvaa ja marinadeja ei saa jäädä grilliin koska ne voivat syttyä palaamaan.
  - Sytytä grillin polttimet ohjeiden mukaisesti. Säädä polttimet suurimmalle teholle. Laske grillin kansi alas.
  - Anna polttimien polttaa kiinni jäänyt ruoka, rasva ja marinadi karrelle ritilässä ja parilassa. Käytä polttimia täydellä teholla tyhjässä grillissä korkeintaan 5 minuuttia, muuten grillin osat voivat kuumentua liikaa.
  - Sulje polttimet, avaa grillin kansi ja anna osien jäähtyä ainakin 15 minuuttia kosketuslämpöiseksi.
  - Harjaa karrelle palanut ruoka ritilästä ja parilasta harjalla jossa on messinkiharjakset. Harja pitää olla ehdottomasti grillinpuhdistukseen tarkoitettu grilliharja. Tavallisen teräsharjan harjakset ovat liian kovat ja ne rikkovat grillin osien pinnat. **Teräsharjan käytön jäljet eivät kuulu takuun piiriin.**
  - Lopuksi kun ritilät ovat harjattu puhtaaksi, sivele niihin ruokaöljyä, niin grilli on heti käyttövalmis seuraavaa kertaa varten.
- Grillausritilän ja – parilan käytöstä aiheutuva kuluminen tai huollon laiminlyönnistä ja väärästä varastoinnista aiheutuva ruostuminen ei kuulu takuun piiriin.

## Grillin muut osat

Grillin teräsosat tulee puhdistaa seuraavasti:

- Kaikki grillin teräsosat tulee säännöllisesti puhdistaa saippuavesiseoksella ja kostealla puhdistusliinalla pyyhkimällä.
- Kuivaa puhdistetut pinnat huolellisesti.
- Ohjauspaneelin painettuja tekstejä ja kuvioita ei saa puhdistaa millään muulla kuin kostealla liinalla. Älä hankaa tai käytä puhdistusaineita. Puhdistusaineet voivat irrottaa ohjauspaneelin tekstit ja muut merkin-
- nät.
- Kaikki teräsosat kuten grillin kansipelti ja ohjauspaneeli täytyy käsitellä yleisesti kaupoissa myytävillä teräksen puhdistus- ja hoitoaineilla vähintään 2-3 kertaa vuodessa, esimerkiksi CRC 5-56 monitoimisprayllä. Tällä ehkäistään lian pinttyminen ja ruostepilkkujen esiintyminen teräs pinnoilla. Käytä hoitoaineita niiden omien ohjeiden mukaan, kuitenkin ensin kokeillen aineen soveltuvuus grillin teräspinnalle. Puhdistus- ja hoitoaineita on hyvä kokeilla johonkin grillin teräsosaan joka ei ole suoraan näkyvässä esim. kannen takakulmaan ennen varsinaista käyttöä. Näin varmistetaan aineen soveltuvuus grillin teräsosille.
- Käytä puhdistus- ja hoitoaineita ainoastaan grillin ulkopinnoille.

Grillin alla oleva rasvapelti:

- Grillin alla oleva rasvapelti tulee tyhjentää aina kun sinne on tippunut grillistä marinadeja ja rasvaa. Rasvapellille ei saa päästää muodostumaan lammikoita, koska ne saattavat syttyä palamaan.
- Puhdista rasvapelti pesemällä se tiskialtaassa. Rasvapellin puhdistusta voi helpottaa laittamalla sille leivinpaperin, jonka päälle aluminifolion. Muutama kivi pitämään näitä paikoillaan. Kun rasvapellillä on rasvaa ja marinadeja otetaan folio ja leivinpaperi pois ja laitetaan roskikseen. Älä laita hiekkaa rasvapellille.

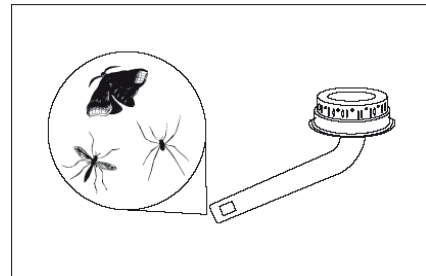
**Huomio!** Rasvapellillä oleva rasva ja marinadi voivat syttyä palamaan. Rasvapalosta aiheutuneet grillin vauriot eivät kuulu takuun piiriin.

- Grillin lämmönjakopellit tulee puhdistaa seuraavasti:
- Kun ritilä ja parila on puhdistettu ohjeen mukaisesti, nosta ne pois paikoiltaan.
  - Puhdista lämmönjakopellit grillin puhdistusharjalla harjaamalla.
  - V aihtoehtoisesti voit pestä lämmönjakopellit tiskialtaassa. Älä laita lämmönjakopeltejä astianpesukoneeseen.
  - Puhdistuksen jälkeen laita lämmönjakopellit takaisin paikoilleen.
  - Laita ritilä ja parila takaisin paikoilleen.

Lämmönjakopellin käytöstä aiheutuva kuluminen tai huollon laiminlyönnistä ja väärästä varastoinnista aiheutuva ruostuminen ei kuulu takuun piiriin.

## Grillin polttimet

Grillin polttimien sekä venttiilien kunto ja toiminta on tarkistettava säännöllisesti. Vähintään kahdesti vuodessa on grillin polttimet otettava irti ja tarkistettava niiden kunto. Polttimien kaikki reiät tulee tarkastaa ja puhdistaa niistä mahdolliset tukokset. Samalla tulee tarkistaa että venttiilin suutin on puhdas.



Kuljetuksen, grillauskertojen välillä tai varastoinnin aikana, on mahdollista, että pienet hyönteiset kuten hämähäkit voivat päästä kaasunsyöttöputkiin, pesiä siellä tai tehdä verkkojaan.



Tämä voi estää kaasun tulon syöttöputkeen, aiheuttaen savuavan kellertävän liekin polttimessa tai estää polttimen syttymisen kokonaan. Se voi jopa aiheuttaa kaasun palamisen syöttöputken ulkopuolella, mikä voi vakavasti vahingoittaa grilliä.

Jos näin tapahtuu, sulje kaasun tulo ja odota että grilli jäähtyy. Kun grilli on jäähtynyt, irrota poltin ohjeiden mukaisesti ja puhdista kaasunsyöttöputket harjalla tai piipunpuhdistimella. Asenna poltin takaisin ohjeiden mukaisesti ja varmistu, että kaasunsyöttöputket on asennettu kaasuventtiilien suuttimien päälle.

Jos kaasu on päässyt syttymään syöttöputken ulkopuolella, tarkista grillin kaikkien osien kunto ennen grillin sytyttämistä uudelleen. Jos osia on vaurioitunut, älä käytä grilliä. Ota yhteys maahantuojaan.

Kaasunsyöttöputkien puhdistus tulee tehdä säännöllisesti, erityisesti käyttökauden alussa.

Grillille myönnetty takuu ei kata tukkeutuneista kaasunsyöttöputkista tai tukkeutuneesta venttiilin suutimesta aiheutunutta vahinkoa.

Polttimien puhdistus tapahtuu seuraavasti.

- Poista grillausritilä ja parila sekä lämmönjakopelti.
- Irrota poltin grillin tulilaatikosta avaamalla kiinnike, jolla poltin on kiinni. Kiinnike on polttimen takapäässä.
- Käytä ohutta rautalankaa polttimen reikien puhdistamiseen. Jos polttimet ovat vahingoittuneet tai ovat pahasti ruosteessa, vaihda viallinen poltin uuteen mahdollisimman pian.
- Tarkista samalla, että venttiilin suutin on puhdas.

Jos polttimet ovat hyvässä kunnossa, asenna ne takaisin paikoilleen oikeaan asentoon.

- Varmista, että poltinta grilliin takaisin asennettaessa venttiilin suutin menee polttimen kaasunsyöttöaukon sisään.
- Kiinnitä poltin grillin tulilaatikkoon kiinnikkeellä.
- Laita lämmönjakopelti sekä ritilä ja parila takaisin paikoilleen.

Polttimien käytöstä aiheutunut kuluminen tai niiden ruostuminen ei kuulu takuun piiriin.

## Grillin varastointi

Kun grillauskausi on ohi ja varastoit grillin talven ajaksi, tee vähintään seuraavat asiat:

- Puhdista grilli perusteellisesti. Pese grillin osat astianpesuharjalla sekä saippuavesiseoksella. Pese grillin tulilaatikko sekä kansi myös sisäpuolelta.
- Laita grilli takaisin päälle ja pidä grilliä päällä noin 20 minuuttia, jotta grilli on kuivunut perusteellisesti.
- Anna grillin jäähtyä.
- Harjaa grillin puhdistusharjalla grillausritilä ja –parila puhtaaksi. - Öljyä ritilä ja parila ruokaöljyllä.
- Irrota polttimet ohjeen mukaisesti.
- Kääri polttimet, ritilä ja parila, lämmitysritilä sekä lämmönjakopellit ilmavasti sanomalehtipaperiin ja säilytä ne kuivassa lämpöisessä paikassa sisätiloissa.
- Irrota paineensäädin kaasupullosta.

Jos säilytät grillin ulkona, hanki grillille kunnon suoja-  
peite, joita myydään lisävarusteena. Kunnon suoja-  
peite suojaa grillin alas saakka ja pysyy paikoillaan  
kovallakin tuulella. Huolehdi, että ilma pääsee  
kiertämään suojapeitteen alla. Grilli on säilytettävä  
aina vähintään katoksen alla, niin ettei se koskaan ole  
suoraan vesi- tai lumisateessa. Huolehdi, ettei katolta  
tippuva lumi pääse vaurioittamaan grilliä.

Katolta tippuneen lumen tai tuulen kaataman grillin  
vauriot eivät kuulu takuun piiriin.

## Grillin sisätiloissa säilytettävät osat

Seuraavat grillin osat tulee säilyttää kuivassa sisätilassa talven yli:

- Valurautaritulä ja –parila.
- Lämmitysritilä
- Polttimet
- Lämmönjakopellit
- Rasvapelti ja -kuppi

## Kaasupullon varastointi

Kun grilli ei ole käytössä, kaasupullostä täytyy kaasun virtaus grilliin olla suljettu. Kaasupullo vaatii säilytystä ulkosalla, hyvin tuulettuvassa tilassa. Älä varastoi kaasupulloa autotallissa, kellarissa, vintillä tai lämmityslaitteen vieressä.

## TAKUU JA TAKUUASIOIDEN KÄSITTELY

### Takuu

Tällä grillillä ja sen osilla on kahden vuoden valmistus- ja materiaalitakuu. Sästä ostokuitti, ota siitä kopio ja liitä se näihin käyttöohjeisiin takuutodistukseksi. Takuuasioissa on ostopaikka ja ostopäivämäärä kyettävä osoittamaan luotettavasti toteen.

Takuu ei kata osien normaalia kulumista, osien tai pintojen ruostumista, ruostumisesta johtuvia vikoja, laitteen väärinkäytöstä tai huollon laiminlyönnistä johtuvia vikoja ja jälkiä.

Teräspintojen värimuutos, pilkuttuminen ja tummeneminen on normaalia käytössä ja ajan kuluessa. Teräspinnoilla saattaa varsinkin kosteassa ja suolaisessa ympäristössä esiintyä korroosiopilkkuja, joten teräksen hoitoaineiden käyttö ohjeiden mukaan on ehdottoman tärkeää. Nämä mahdolliset korroosiopilkut eivät estä laitteen käyttöä ja ne ovat aivan normaali ilmiö teräspinnoilla, joten niiden mahdollinen esiintyminen osien pinnoilla ei kuulu takuun piiriin.

Jos tuotteessa tai tuotteen osassa ilmenee vika takuuajana, ole yhteydessä suoraan grillin ostopaikkaan. Myyjä hoitaa kaikki takuukäsittelyt. Viallisen tai puuttuvan osan tilalle myyjä tai hänen edustaja lähettää uuden osan, mutta ei vastaa viallisen tai puuttuvan osan vaihdosta grilliin. Itse koottavissa grilleissä asiakas vastaa aina itse osan vaihtamisesta grilliin ohjeiden mukaan. Näiden ohjeiden noudattamatta jättämisen takia takuu raukeaa eikä käyttö vastaa tuotetodistusta.

Takuu ei ole voimassa, mikäli tuotetta käytetään kaupallisessa valmistus-, myynti- tai vuokrauskoituksessa. Takuu ei

heikkennä millään tavalla Suomessa voimassa olevaa kuluttajansuojalakia.

Seuraavat grillin osat kuluvat käytössä, joten niiden käytöstä johtuva kuluminen tai ruostuminen ei kuulu takuun piiriin.

- V alurauta- tai rosteriputkipolttimet
- Grillausritilät ja -parilat
- Lämmitysritilä
- Rasvapellit ja -kupit

Tiedustele tarvitsemaasi uutta osaa grillin ostopaikkasta. Uusia osia grilleihin on saatavilla rajoitetusti.

### Takuuasioden käsittely

Jos tuotteessa tai tuotteen osassa ilmenee vikaa takuuajana tai osia puuttuu grilliä kasattaessa, ole yhteydessä suoraan grillin ostopaikkaan. Myyjä hoitaa kaikki takuukäsittelyt.

Ennen takuuvaatimusten esittämistä lue käyttöohje huolella läpi ja tarkista, että takuuvaatimus ei johdu käyttöohjeiden vastaisesta käytöstä tai huollon laiminlyönnistä.

Takuuasioissa seuraavat tiedot on toimitettava maahantuojalle:

- Grillin merkki ja mallinimi
- Reklamaation syy
- Viallisen osan osanumero osaluettelon mukaisesti
- Kopio ostokuitista tai selvitys ostopaikkasta sekä ostopäivämäärä
- Kuluttajan nimi, puhelinnumero, katuosoite, postinumero

Yllämainitut tiedot tulee toimittaa reklamaation tai takuuvaatimuksen yhteydessä. Usein myös valokuvat asiasta auttavat reklamaation ja takuu-asian nopeassa hoitamisessa. Ota reklamoidusta tuotteesta tai sen osasta/viasta 1-3 valokuvaa ja näytä niitä ostopaikkassa reklamaation tekemisen yhteydessä.

## VIANHAKUOPAS

Ongelma	Mahdolliset syyt	Korjaustoimenpide
Poltin ei syty tulitikulla tai sytyttimellä	<ul style="list-style-type: none"> <li>• Polttimen reiät ovat tukossa</li> </ul>	<ul style="list-style-type: none"> <li>• Puhdista tukokset</li> </ul>
Polttimet eivät tuota tarpeeksi lämpöä	<ul style="list-style-type: none"> <li>• Kaasupullon venttiili on kiinni</li> <li>• Polttimet eivät ole kunnolla kiinni grillin venttiileissä</li> <li>• Polttimen ilmanotto on tukossa</li> <li>• Kaasua on liian vähän tai se on lopussa</li> <li>• Paineensäädin ei ole kunnolla kiinni kaasupullossa</li> <li>• Kaasun tulo on estynyt</li> </ul>	<ul style="list-style-type: none"> <li>• Avaa kaasupullon venttiili</li> <li>• Varmista grillin polttimien kiinnitys venttiileihin</li> <li>• Puhdista tai vaihda poltin</li> <li>• Vaihda kaasupullo täyteen</li> <li>• Tarkista paineensäätimen kiinnitys kaasupulloon</li> <li>• Oikaise kaasuletku</li> </ul>
Liekki savuavan keltainen	<ul style="list-style-type: none"> <li>• Polttimen ilmanottoaukot tukossa</li> <li>• Paljon suolaa tai marinadia polttimien pinnalla</li> </ul>	<ul style="list-style-type: none"> <li>• Puhdista tukokset</li> <li>• Puhdista polttimet</li> </ul>
Poltin sytty tulitikull mutta ei sytyttimellä	<ul style="list-style-type: none"> <li>• Huono johtimen kontakti</li> <li>• Rikkinäinen sytytin tai elektrodi</li> <li>• Huono maadoitus</li> <li>• Epäkuntoinen sytytin</li> </ul>	<ul style="list-style-type: none"> <li>• Tarkista, että liitokset ovat tiukalla</li> <li>• Varmista, että poltin ja sytytin on asennettu oikein</li> <li>• Vaihda sytytin</li> </ul>
Liekki sammuu	<ul style="list-style-type: none"> <li>• Voimakas tuuli</li> <li>• Kaasu on vähissä</li> </ul>	<ul style="list-style-type: none"> <li>• Siirrä grilli tuulensuojaan</li> <li>• Vaihda kaasupullo</li> </ul>
Liaksi kuumuutta ylenmääräinen leimahtelu	<ul style="list-style-type: none"> <li>• Runsasrasvainen ruoka</li> <li>• Rasvanpoisto grillistä on estynyt</li> <li>• Kypsennettävä tuote ei ole oikeassa kohdassa</li> </ul>	<ul style="list-style-type: none"> <li>• Poista rasvaisia kohtia ja pienennä polttimen tehoa</li> <li>• Puhdista rasvankeräin ja polttimet</li> <li>• Sijoita kypsennettävä tuote oikein</li> </ul>
Liekkejä tehonsäätökonsolin alla	<ul style="list-style-type: none"> <li>• Tukoksia polttimissa</li> <li>• Kova tuuli</li> </ul>	<ul style="list-style-type: none"> <li>• Sulje kaasupullon hana välittömästi, anna grillin jäähtyä ja puhdista polttimet</li> </ul>
Paineensäädin surisee	<ul style="list-style-type: none"> <li>• Tämä ei ole vika tai vaaratilanne</li> </ul>	<ul style="list-style-type: none"> <li>• Ohimenevä tilanne johtuu korkeasta ulkoilman lämpötilasta ja täydestä kaasupullost</li> </ul>
Epätäydellinen liekki	<ul style="list-style-type: none"> <li>• Liekki palaa voimakkaan keltaisena</li> </ul>	<ul style="list-style-type: none"> <li>• Puhdista tai vaihda grillin poltin ja tarkista tukokset polttimissa</li> </ul>
Liekki liian iso	<ul style="list-style-type: none"> <li>• Käytössä on väärä paineensäädin</li> </ul>	<ul style="list-style-type: none"> <li>• Vaihda 29-30 mbar paineensäädin</li> </ul>

## ALLMÄN RÅD

Läs alla anvisningar och råd innan ni börjar använda produkten. Följ noggrant montage, tändnings, skötsel och användnings råden. Du bör läsa och förstå speciellt alla säkerhets samt varningsråd före gasgrillen tas i bruk. Behandla alla metalldelar försiktigt så att du inte skadar dig. Följ råden steg för steg.

**DENNA GRILL ÄR ENDAST FÖR UTMOMHUSBRUK. PÅ GRUND AV GRILLENS ÖPPNA KONSTRUKTION KAN DET RINNA ELLER STÄNKA FETT UTANFÖR GRILLEN, ANVÄND INTE GRILLEN NÄRA ELLER PÅ KÄNSLIGA YTOR. DET KAN RINNA FETT ELLER MARINAD UNDER GRILLEN, PÅ NEDRE HYLLAN ELLER I SKÅPET, FETT KAN OCKSÅ STÄNKA RUNT GRILLEN. FETTRINNING OCH STÄNK ÄR NORMALT OCH DE HÖR INTE TILL GARANTIN. GRILLEN ÄR CE-MÄRKT OCH DEN ÄR GILTIG ENLIGT I KRAFT VARANDE FÖRFATTNING. MINSTA OMÄNDRING AV GRILLENS KONSTRUKTION ÄR FÖRBJUDET. UNDER UPPMONTERING AV GRILLEN FÅR INTE NÅGON DEL LÄMNAS BORT INTE HELLER LÄGGAS TILL.**

## GRILLENS VARNING OCH SÄKERHETS RÅD

1. Grillen är endast för utomhusbruk.
2. Stäng alltid gasflaskans ventil då grillen inte är i bruk.
3. Följ monteringsanvisningar, försummelse kan orsaka problem.
4. Grillen är het under användning, låt inte barn eller djur vistas i närheten av grillen.
5. Om ni känner gaslukt, stäng av gastillförseln omedelbart. Släck alla öppna lågor. Öppna grillhuvuven och kontrollera möjliga läckage. Gör läckagetest enligt instruktioner. Spänn.

6. Flytta aldrig grillen då den är i användning eller när den är het.
7. Håll alltid det närliggande området runt grillen rent och fritt från lättantändligt material så som bensen eller andra lättantändliga vätskor, papper eller oljetrasor.
8. Använd aldrig tändstickor eller öppen låga när ni gör läckagetesten.
9. Använd inte grillen om där finns fel.
10. Lossa aldrig bort regulatören när grillen är i bruk.
11. Lämna aldrig grillen oövervakad när den är i bruk.
12. Låt inte barn använda grillen.
13. Grillen måste rengöras regelbundet. Skada inte brännarens öppningar eller reglagens munstycken.
14. Kom ihåg att denna grill är lämpad endast för utomhusbruk och får inte användas på båtar eller i husvagnar. Minimavstånd 1 m, helst mera, till närmaste närliggande del bakom och vid sidan av grillen.
15. Vi rekommenderar underhåll och rengöring av grillen minst en gång per år. Om du inte är säker hur man gör det, kontakta auktoriserad service.
16. Endast auktoriserad service får justera grillens ventiler och munstycken.
17. Gör läckagetesten alltid när du tar grillen i bruk efter lång förvarning t.ex. på våren, eller när du har bytt gasflaskan.
18. Grillens lock måste alltid vara öppet när du tänder den.
19. Använd alltid skyddshandskar vid hantering av grillens varma delar och långskaftade grillnings tillbehör.
20. Förbered för möjlig olycka så att du vet var försthjälpmiddel och släckare är och att du vet hur man använder dem.

## TEKNISK INFORMATION

Model: Cello Ready 3 (A300)

Effekt, huvudbrännare: 10,5 kW

Effekt, sidobrännare: 10,5 kW

Gasförbruk: 764 g/h

Brukstryck: 30 mbar

Bränsle: Flytgas

Klass: I3B/P

Munstycke, huvudbrännare: 0,93 mm

Munstycke, sidobrännare:



2531-19

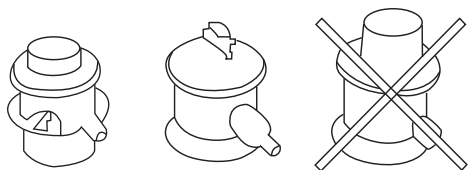
PINID. KOD:2531CU-0080

# CELLO

## FÖRE GRILLENS ANVÄNDNING

### Gasflaska, gasslang och regulator

Grillen levereras utan gasslang, lågtrycksregulator eller slangklämmaren. Dom säljs separat. Skaffa en gasflaska som är mellan 5 kg och 11 kg, lågtrycksregulator med fast tryck 30 mbar, gasslang samt 2 st slangklämmaren. Obs! Regulator bör vara ojusterbar och den måste vara märkt 30 mbar.



På bilden finns det 30 mbar lågtrycksregulatorer, som är rätt val till gasgrillen samt till höger en högtrycksregulator som får användas endast till gasverktyg. Använd inte den till gasgrillar.

Använd endast en 10 mm och max 1,2 m lång gasslang enligt bestämmelserna.

Kontrollera gasslangen regelbundet. Byt ut en sliten eller söndrig slang till en ny. Se till att inte slangen rör grillens heta ytor.

Kontrollera att gasslangen inte har tvinn som hindrar gasflödet i slangen.

Hyllan under grillen är endast för gasflaskans förvaring. När du tar grillen i bruk, ta gasflaskan bort från hyllan. Det är för säkerhets skull.

### Gasflaskas montering

1. Kontrollera att alla grillens justeringsknoppar är stängda.
2. Montera gasslangens andra ända till lågtrycksregulators slangnippel och andra ändan till grillens slangnippel. Använd slangklämmor.
3. Anslut lågtrycksregulatorn på gasflaskan. Kontrollera fästning genom att lyfta gasflaskan med regulatorn.
4. Öppna gasflödet från lågtrycksregulatorn sakta, så att trycket stabiliseras.

### Gasflaskans lossning

1. Stäng gasflödet från lågtrycksregulatorn.
2. Kontrollera att alla justeringsknoppar är stängda (OFF).
3. Lossa lågtrycksregulatorn från gasflaska.

Byt inte gasflaska i närhet av öppen låga.

### Grillens inkörande

Innan grillens första användning, gör komplett läckagetest enligt råden. Tänd grillen och låt grillen stå på högsta effekt (MAX) i 5 minuter med öppet grilllock. Stäng grilllocket och låt grillen stå på högsta effekt ännu ytterligare några minuter. Låt grillen svalna ungefär 15 minuter. Rengör grillgallret och platta med grillborste. Pensla dem med matolja. Nu är grillen färdig för användning.

### Läckagetest

Genomför läckagetestet:

- Före ni använder grillen första gången.
- Varje gång ni bytt gasflaska eller någon annan komponent.
- Minst en gång per år, helst i början av grillsäsongen.

Läckagetesten skall genomföras utomhus, utom räckhåll för värme, öppna lågor eller lättantändliga vätskor. Rök inte under testen. Använd en 50/50 tvålvattensblandning. Använd aldrig tändstickor eller öppen låga.

### Följande delar skall kontrolleras

- Gasflaskans ventil och dess gänga.
- Gasflaskans fogar.
- Regulatorn och dess tätning.
- Alla slangkopplingar, även till eventuell sidobrännare.

### Gör läckagetesten enligt följande råd

- Använd en gasflaska som nyligen är fylld och kontrollerad, se till att alla reglage är stängda (OFF) på grillen.
- Öppna gasflasksventilen.
- Sprid tvålvattenslösningen på alla i punkt 16.6 nämnda komponenter och kopplingar.

- Titta noggrant efter bubblor, vilka är en indikation på läckage.
- Spänn de kopplingar var bubblorna uppstod vid. Upprepad läckagetest visar att läckaget är korrigerat (stäng av gasflaskventilen då ni åtgärdar läckagen).
- Stäng regulatören och kontrollera att alla justeringsknoppar är stängda.

Använd inte grillen ifall läckaget inte kan åtgärdas. Stäng av gasflaskventilen, lossa gasflaskan och tag kontakt med importören.

## **TÄNDNING MED BATTERIDRIVEN PIEZO-TÄNDAREN**

1. Öppna alltid grill locket innan tändning.
2. Öppna gasflödet från gasflaskans ventil och lågtrycksregulator.
3. Tryck in och vrid grillkontrollen till FLAME SYMBOL-läge.
4. Tryck ner piezo-tändaren tills grillen tänds.
5. Justera lågan med att vrida justeringsknoppen mellan stor och liten effekt.
6. När brännaren är tänd, kan följande brännare tändas med att vrida motsvarande justeringsknopp till stora lågans bild.

Om brännaren fortfarande inte tänds, läs avsnittet felsökning eller tänd med en lång tändsticka.

### **Manuell tändning, om batteridriven piezo inte fungerar**

#### **Grillchassits högra sidas ventilationshål används vid manuell tändning av grillen.**

1. Öppna alltid grill locket innan tändning.
2. Öppna gasflödet från gasflaskans lågtrycksregulatorn.
3. Träd en tänd tändsticka genom ventilationshålet och placera lågan bredvid brännaren.
4. Tryck in och vrid högra grillkontrollen till FLAME SYMBOL-läge. Brännaren tänds. Kontrollera att brännaren tänds genom att titta genom gallret och värmespridarplåten.

Om brännaren fortfarande inte tänds, läs avsnittet felsökning.

## **Varning**

### **Luta aldrig över grillen när du tänder eller använder den.**

Ifall brännaren inte tänds efter tre försök under 10 sekunder, vrid justeringsknoppen till stängd position (OFF). Stäng gasflaskans ventil. Öppna grillens lock och vänta minst 5 minuter att gasen skingrats. Efter detta kan du åter pröva att tända grillen.

## **Grillens användning**

1. Använd aldrig mera än en brännare på Max effekt när du tillreder mat med grillens lock stängt. Oftast räcker det med en brännares effekt att tillreda mat.
2. Använd aldrig mera än två brännare på Max effekt, hettan kan skada grillens delar.
3. Lämna inte en tänd grill utan uppsyn.

### **Lågan backas ut från brännaren**

Under hård vind är det möjligt att lågan backas ut från brännaren. Då brinner lågan under kontrollpanelen. Samtidigt det hörs ett hårt brus. Stäng grillen omedelbart. Annars kan grillens ventil, kontrollpanel och justeringsknoppar skadas. Dessa skador hör inte till garantin.

## Avstängning

1. Stäng gasflödet från gasflaskan.
2. När alla lågor har slocknat, vrid alla justeringssknoppar till OFF-position. Kontrollera ännu att gasflaskans ventil är avstängd.
3. Lossa lågtryckregulatorn från gasflaskan.

## Värmespridarplåtar

Det finns värmespridarplåtar på brännarna. De sprider värmen jämnt till grillytan, förhindrar att heta lågan tar direkt kontakt med maten och skyddar brännarna från fett, saltiga vätskor samt marinader som kan droppa från maten.

Lavasten används inte.

Värmespridarplåtarna läggs på brännaren som är under grillgallret. Under grillplattan används inte värmespridarplåtar. Därför är mängden av värmespridarplåtar inte samma som mängden av brännaren.

## Föreberedelser

Innan ni börjar grilla skall grillen värmas upp i 3-5 minuter på högsta effekt med locket stängt. Om maten ni skall grilla kräver lägre temperatur ställ då justeringsknopparna på önskad effekt före ni lägger på maten. Använd aldrig alla brännare med Max effekten när ni grillar, då är grillen för het att laga mat i och ni förbrukar onödigt gas. Ofta räcker det att använda två brännare och också dessa med mindre effekten. Grill erfarenheten hjälper.

## Grilltider

Detta påverkas av många faktorer och erfarenhet av grillning kommer att hjälpa er. Maten, dess tjocklek och till och med vädret påverkar grilltiden. En varm dag krävs lägre effekt, medan en högre effekt är bättre under en kall dag. Bästa resultatet får ni genom att pröva olika möjligheter.

## Uppflamningar

Uppflamningar orsakas av för hög temperatur och medför att fett rinner från maten och det kan orsaka fettbrand. Små uppflamningar är normala och bidrar med rök som ger maten smak och arom. För att

hålla uppflamningarna på normal nivå, vidta följande åtgärder:

- Låt marinaden rinna av ordentligt och skär bort överflödigt fett från köttet/steken.
- Grilla höna och svin i lägre temperatur.
- Rengör grillen med jämna mellanrum.
- Se till att hålet för överblivet fett inte är tilltäppt och att fettplåten inte är full. Rengör fettplåten med jämna mellanrum.
- Grilla med nedfällt grilllock och lägsta möjliga effektiva temperatur.

Med grilllocket i nerfällt läge kommer ni att hålla en mera konstant temperatur i grillen och sparar gas på så sätt. Maten torkar inte heller när locket är fast pga. att när flytgas brinner bildas det vattenånga.

## Marinader

Maten marineras för kryddning. Inne i grillen kan marinaden orsaka att maten fastnar fast i grillgallret och plattan, marinaden kan rinna under grillen och den kan ta eld.

När marinering är gjord:

- Torka bort onödig marinad från det du skall grilla.
- Håll inte marinad över maten du grillar.
- Pensla inte över maten du grillar den färdiga marinaden var t.ex. broilern eller grisen har förvarats rå. De bakterier som finns från det råa köttet finns i marinaden.
- Om du vill ha mera smak eller glaserad yta på maten, kan du i slutet av grillningen lägga på en kryddsås som du själv tillrätt,

## Underhåll

Er grill kommer att hålla många år om ni genomför följande rengöring och underhåll efter varje bruk när grillen har svalnat.

## Grillens grillgaller och grillplatta

Om det fastnat mat på gallret och plattan, följ dessa råd:

- Torka bort fett och marinad med hushållspapper. Var noggrann för om det blir något kvar kan de orsaka fettbrand i grillen.
- Lägg gallret och platta in i grillen och tänd grillens alla brännaren och stäng locket.
- Använd grillen på Max-effekten i högst 5 minuter så att allt fett och marinad är bränt.
- Stäng grillen och öppna locket. Låt grillen svalna ungefär 15 minuter.
- Skrubba av med en mjuk mässingsborste, stålborste är för hård och söndrar ytan. **Skador som stålborste orsakar, tillhör inte till garantin.**
- Efter rengöring pensla grillgallret med matolja. Nu är grillen färdig för bruk.

Grillgallrets och – plattans slitage vid normalt bruk eller rostning som är följd av underhålls försummelse eller fel förvarning, tillhör inte till garanti.

## Grillens övriga delar

Grillens ståldelar skall putsas följande:

- Alla ståldelar skall putsas med varmt vatten och tvålblandning med en fuktig trasa.
- Efteråt torkas alla putsade ytor torra.
- Kontrollpanel skall putsas endast med en fuktig trasa. Skrubba inte. Använd inte putsmedel. Putsmedel kan ta bort all text och märkningar från kontrollpanelen.
- Alla ståldelar som grill locket och kontrollpanelen måste behandlas med allmänt stålputsningsmedel till exempel CRC 5-56 minst tre gånger per år. Använd medlet enligt dess anvisningar. Detta motverkar smuts och rostfläckar på ytorna. Använd skötselmedel enligt deras bruksanvisning, men pröva först på ett sådant ställe som inte direkt syns. Detta för att kontrollera att medlet anpassar sig för stålytorna.
- Använd stålputsningsmedel endast på grillens yttre ytor.

Grillens fettplåt skall putsas följande:

- Under grillen finns en fettplåt som skall tömmas när där finns fett och marinad. Fett kan börja brinna.
- Rengör fettplåten genom att tvätta den i diskho. Fettplåtens rengöring kan underlättas genom att lägga bakplåtspapper på den och lägg aluminiumfolie på bakplåtspappret. Lägg några stenar att hålla pappret på plats. När fettplåten måste tömmas tas foliet och bakplåtspappret bort och slängs. Lägg inte sand på fettplåten.

## Obs!

Fett och marinad kan börja brinna. Skador som är resultat av fettbrand, tillhör inte till garanti.

Grillens värmespridarplåt skall putsas följande:

- När grillens galler och platta är putsade enligt råd, ta dem bort från deras plats.
- Skrubba av med en mjuk mässingsborste.
- Värmespridarplåtarna kan även tvättas i diskho.
- Efter rengöringen, lägg värmespridarplåtarna på deras plats.
- Lägg galler och plattan på deras plats.

Värmespridarplåts slitage vid normalt bruk eller rostning som är följd av underhålls försummelse eller fel förvarning, tillhör inte till garanti.

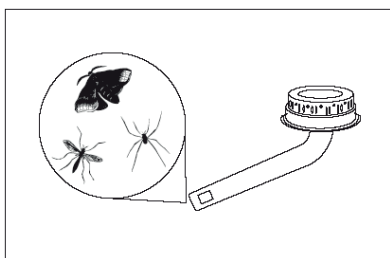
## Brännare

Grillens brännaren och ventilers kondition måste kontrolleras regelbundet. Åtminstone två gånger per år är det viktigt att montera bort brännarna och kontrollera deras kondition. Kontrollera alla hål i brännaren och rengör möjliga förstoppningar. Kolla samtidigt att ventilens munstycke är rent.

Under transport, mellan grillanvändning och förvaring är det möjligt att små insekter, så som spindlar, kommer in i blandarrören. Där bygger de nät, som kan blockera gasflödet genom blandarröret. Detta märks som en gul och sotig låga eller förhindrar brännaren att tändas. Det kan



även orsaka att gasen börjar brinna utanför brännaren, vilket kan medföra stora skador på grillen.



Ifall detta inträffar, stäng av gasventilerna till "OFF" läge och vänta tills grillen är sval. När grillen har svalnat, lösgör brännaren och rengör blandarröret med en borste eller piprensare. Montera tillbaka brännaren enligt råd och försäkra att blandarröret är rätt över ventilen med munstyckena enligt råden. Var noggrann med att blandarröret är korrekt påträdda på ventilen.

Om gasen har brunnit utanför brännaren, kontrollera alla grillens delar före ny tändning. Om delar är skadade kontakta importören.

Rengöring av blandarrör skall ske med jämna mellanrum, speciellt i början av varje grillsäsong.

Skador som är resultat av blockerat blandarrör eller blockerat ventils munstycke tillhör inte till garanti.

Grillens brännare skall putsas följande:

- Ta bort galler, platta och värmespridarplåt
- Lossa skruven som finns i brännarens bakända och ta bort brännaren.
- Rengör alla hål i brännaren med järntråd. Om brännaren är i dåligt skick eller rostig, byt brännaren till ny.

Om brännaren är i gott skick montera den tillbaka i rätt läge.

- Var noggrann med att blandarröret är korrekt påträtt på ventilen.
- Fäst brännaren till grill lådan med skruv.

- Lägga värmespridarplåt, galler och platta på deras plats.

Brännarens slitage vid normalt bruk eller rostning som är följd av underhålls försummelse eller fel förvarning, tillhör inte till garanti.

## Grillens förvaring

När grillsäsongen är över och det är dags för vinterförvaring, gör följande:

- Tvätta grillen noggrant. Tvätta grillens delar med diskborste och tvålblandning. Tvätta grill lådan och locket också från insidan.
- Tänd grillen och låt det brinna ungefär 20 minuter att grillen torkas noggrann.
- Låt grillen svalna.
- Borsta gallret och plattan med grillborste.
- Smörj in dem med matolja.
- Ta bort brännaren enligt råd.
- Linda brännaren, gallret, plattan, värmegaller och värmespridarplåtar in i tidningspapper, och förvara dem torrt inomhus.
- Ta bort regulatorn från gasflaskan.

Om grillen förvaras utomhus, skaffa ordentligt grillskydd, som säljs separat. Ett riktigt grillskydd ska nå ända ner till underlaget och hållas på plats också i blåsigt väder. Se till att luft kan cirkulera under grillskyddet. Grillen skall helst förvaras under tak så att den inte blir utsatt för regn eller snö. Se till att snön som faller från taket, kan inte skada grillen. Skador som är resultat av fallande snön eller blåsigt väder tillhör inte till garanti.

## Grillens delar som måste förvaras inomhus

Grillens följande delar måste förvaras inomhus:

- Gjutjärngaller och – platta.
- Värmegaller
- Brännare
- Värmespridarplåtar

## Gasflaskas förvarning

När grillen inte är i användning skall ventilen på gasflaskan vara stängd.

Gasflaskan får inte förvaras i garaget eller varma utrymmen. Förvara gasflaskan i ett område där luften cirkulerar bra. Gasflaskan får inte förvaras i garaget, på vinden eller i närheten av värmeelement.

## **GARANTI OCH HANDLÄGGNING AV GARANTI**

### **Garanti**

För denna grill ges två års garanti på tillverknings och materialfel. Spara kvittot, kopiera det och nita ihop det med bruksanvisningen så gäller det som garantibevis. Ifall du häver till garantin skall inköpsplats och – tid anges.

Garantin gäller inte fel som uppstått genom normalt slitage eller att grillen blivit rostig, man har använt grillen fel eller försummat att sköta underhållet av den.

Att färgförändringar, fläckar i stålytorna förekommer eller de blir mörkare är normalt vid användning. I fuktig och salthaltig miljö kan stålytorna få rostfläckar varför det är viktigt att använda rostskyddsmedel. Om fläckar uppstår trots detta går det bra att använda grillen eftersom rostfläckar är normalt på stålytor och omfattas därför inte av garantin.

Om produkten eller dess delar visar sig vara defekta under garantiperioden ska du kontakta importören som sköter alla garantifall. Importören byter ut en defekt del eller en del som saknas eller skickar en ny, men svarar inte för byte av delen. Garantin gäller inte om dessa instruktioner försummas.

Garantin hävs ifall denna produkt används för kommersiellt ändamål. Garantin gäller inte heller om grillen har ändrats eller om den inte har använts enligt instruktionerna i denna manual.

Garantin försämrar inte konsumentskyddslagen som gäller i Finland.

Följande delar slits vid normalt bruk, garantin gäller därför inte för dessa.

- Gjutjärnsbrännare och rostfritt stål rörbrännare
- Grillgallret och grillplatta
- Värmegallret
- Värmespridarplåt

### **Handläggning av garanti**

Om produkten eller delar av denna visar sig vara defekta under garantitiden eller de saknas vid mon- taget ska du kontakta importören direkt. Importören sköter alla garantifall.

Före garantikravet, läs igenom bruksanvisningen. Garantin gäller inte om dessa bruksanvisningar försummas.

Följande uppgifter skall lämnas till importören:

- Grillmärke och försäljnings namn
- Orsak till reklamation
- Artikelnummer på defekt del enligt dellistan
- Kopia av kvittot eller uppgifter om inköpsställe och inköpsdag
- Namn, telefonnummer, adress och postnummer

### **Handläggning av garanti i Sverige**

Om produkten eller delar av denna visar sig vara defekta under garantitiden eller de saknas vid mon- taget ska du kontakta köpplats.

Före garantikravet, läs igenom bruksanvisningen. Garantin gäller inte om dessa bruksanvisningar försummas.

Följande uppgifter skall lämnas till köpplats:

- Grillmärke och försäljnings namn
- Orsak till reklamation
- Artikelnummer på defekt del enligt dellistan
- Kopia av kvittot eller uppgifter om inköpsställe och inköpsdag
- Namn, telefonnummer, adress och postnummer

## FELSÖKNINGSTABEL

Problem	Möjliga orsaker	Åtgärder
Brännaren tändes inte  Brännarna är inte tillräckligt heta	• Blockerat brännarhål	• Rengör brännare
	• Gasflaskans ventil stängd	• Öppna gasflaskans ventil
	• Brännarna är inte korrekt installerat	• Kontrollera brännarens installation
	• Brännarens blandarrör är tilltäppt	• Rengör eller byt ut brännaren
	• Låg gasnivå eller den är nästan slut	• Byt gasflaska
	• Regulator är inte ordentligt påsatt	• Kontrollera regulatorn
	• Blockerat gasflöde	• Kontrollera slangen
Gula lågor från brännaren	• Delvist tilltäppt blandarrör	• Rengör brännaren
	• Salt eller marinad i brännaren	• Rengör brännaren
Brännaren tänds med tändsticka men inte med grillens tändare	• Dålig lednings kontakt	• Kontrollera kopplingarna
	• Trasig elektrod	• Se till att samlarboxen, brännaren, batteriet, piezo-tändaren är korrekt installerade
	• Dålig jordning	
	• Trasig tändare	• Byt tändaren
Lågan blåser ut	• Hård vind	• Placera grillen i mindre vind
	• Låg gasnivå	• Byt gasflaska
För hög temperatur eller uppflamningar	• För mycket fett i maten	• Skölj av köttet och justera brännarens effekt
	• Fullt fettavlopp	• Töm fettkoppen och rengör brännarna
	• Felplacerad grillprodukt	• Placera grillprodukten på nytt
Lågor under kontrollpanel	• Tilltäpta brännare • Hård vind	• Stäng av gasflaskas ventil omedelbart. Låt grillen svalna och rengör brännarna.
Regulatorn surrar	• Det är inget fel eller farlig situation	• Tillfällig störning som beror på hög utomhustemperatur i kombination med full gasflaska
Oregelbunden låga	• Tilltäpta brännaren	• Rengör eller byt ut brännaren

# NO

## ALMENNE RÅD

Les alle anvisninger og råd før du begynner å bruke produktet. Følg nøye montering, tenning og bruksanvisningene. Behandle alle metalleder forsiktig. Følg rådene trinn for trinn. Du skal lese og forstå alle sikkerhetsråd og advarsler før gassgrillen tas i bruk. Behandle alle metalleder forsiktig slik at du ikke skader deg. Følg rådene steg for steg.

**DENNE GRILLEN ER KUN FOR UTENDØRS BRUK. PÅ GRUNN AV GRILLENS ÅPNE KONSTRUKSJON KAN DET RENNE ELLER SPRUTE FETT UTENFOR GRILLEN, BRUK IKKE GRILLEN NÆRE ELLER PÅ ØMTÅLIGE FLATER. DET KAN RENNE FETT ELLER MARINADE UNDER GRILLEN, PÅ NEDRE HYLLE, ELLER I SKAPET. FETT KAN OGSÅ SPRUTE RUNDT GRILLEN. FETTRENNING OG SPRUT ER NORMALT, OG DEKKES IKKE AV GARANTIE. GRILLEN ER CE-MERKET OG ER PRODUSERT I HENHOLD TIL GJELDENDE BESTEMMELSER. DEN MINSTE ENDRING AV GRILLENS KONSTRUKSJON ER FORBUDT. UNDER OPPMONTERING AV GRILLEN, MÅ IKKE NOEN DELER UTELATES ELLER LEGGES TIL.**

## ADVARSLER OG SIKKERHETS RÅD

1. Grillen er kun for utendørs bruk.
2. Steng alltid gassflaskens ventil når grillen ikke er i bruk.
3. Følg monteringsanvisningene. Neglisjering kan forårsake problemer.
4. Grillen er varm under bruk, la ikke barn eller dyr leke i nærheten av grillen.
5. Hvis du kjenner gassslukt, steng gasstilførselen umiddelbart. Slukk alle åpne flammer. Åpne grilllokket og kontroller mulige lekkasjer. Foreta lekkasjetest i henhold til instruksjonene. Trekk til alle koblinger når lekkasjetesten utføres. Hvis du ikke finner feil, kontakt autorisert serviceverksted eller forhandleren.

6. Flytt aldri grillen når den er i bruk eller er varm.
7. Hold alltid det nærliggende området rundt grillen rent og fritt for lettantennelige materialer som bensin eller andre lettantennelige væsker, papir eller oljefiller.
8. Benytt aldri fyrstikker eller åpen flamme når du foretar lekkasjetesten.
9. Bruk ikke grillen hvis det er feil ved den.
10. Koble aldri av regulatoren på gassflasken når grillen er i bruk.
11. La aldri grillen stå ubevoktet når den er i bruk.
12. La ikke barn bruke grillen.
13. Grillen må rengjøres regelmessig. Unngå å skade brennerens åpninger eller gassventilenes dyser.
14. Husk at denne grillen kun er beregnet for utendørs bruk og må ikke benyttes på båter eller i campingvogner. Minimumsavstand skal være minst 1m til nærmeste del bak og ved siden av grillen.
15. Vi anbefaler vedlikehold og rengjøring av grillen minst en gang pr. år. Hvis du ikke er sikker på hvordan man gjør det, ta kontakt med et autorisert serviceverksted.
16. Kun et autorisert serviceverksted får justere grillens ventiler og dyser.
17. Foreta alltid en lekkasjetest når du tar grillen i bruk etter lang tids lagring, f.eks. på våren, eller når du har skiftet gassflaske.
18. Grillens lokk må alltid være åpent når du tenner den.
19. Benytt alltid beskyttelseshansker ved håndtering av grillens varme deler, samt bruk langskaffet grilltilbehør.
20. Forbered deg på mulige ulykker slik at du vet hvor førstehjelpsaker og brannslukker er, og att du vet hvordan man bruker de.

## TEKNISK INFORMASJON

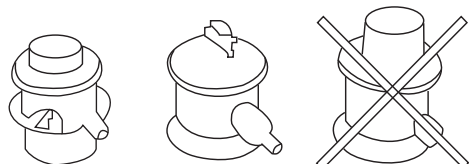
Modell: Cello Ready 3 (A300)  
Effekt, grilldele: 10,5 kW  
Effekt, sidebrenner: 10,5 kW  
Gassforbruk: 764 g/h  
Brukstrykk: 30 mbar  
Brensel: Flytende propangass  
Klasse: I3B/P  
Dyse, hovedbrennere: 0,93 mm  
Dyse, sidebrennere:

**CE** 2531-19  
ID. KOD:2531CU-0080

## FØR DU BRUKER GRILLEN

### Gassflaske, gasslange og regulator

Skaff en gassflaske som er mellom 5 kg og 11 kg, lavtrykksregulator med fast trykk 30 mbar, gasslange, samt 2 stk. slangeklemmer. Obs! Regulatoren skal ikke være justerbar og den skal være merket 30 mbar.



På bildet vises det to lavtrykksregulatorer 30 mbar, som er riktig valg til gassgrillen samt en høytrykksregulator som kun skal benyttes til gassverktøy. Bruk ikke denne til gassgriller.

Benytt kun en 10 mm och maks 1,5 m lang gasslange i henhold til bestemmelsene. Kontroller gasslangen jevnlig. Bytt ut en slitt eller ødelagt slange med en ny. Pass på at slangen ikke berører grillens varme overflater.

Pass på at slangen ikke er tvinnet eller har knekker som hindrer gasstrømmen.

Hyllen under grillen er kun for lagring av flasken. Når du tar grillen i bruk, ta gassflasken bort fra hyllen og sett den ved siden av grillen. Dette er av sikkerhetsmessige grunner.

### Gassflaskens montering

1. Kontroller att alle grillens justeringsknapper er stengt (OFF).
2. Monter gasslangens ene anslutning til lavtrykksregulatorens slangenippel og den andre anslutningen til grillens slangenippel. Benytt slangeklemmer (selges separat).
3. Koble lavtrykksregulatoren på gassflasken ved å løfte opp den sorte kraven, for så å trykke den ned på plass. Kontroller innfestingen ved å løfte gassflasken med regulatoren.
4. Åpne gassflyten fra lavtrykksregulatoren sakte, slik at trykket stabiliseres.

### Gasflaskens frigjøring

1. Steng gassflaskens ventil.
2. Kontroller at alle justeringsknapper er stengt (OFF).
3. Koble lavtrykksregulatoren av gassflasken ved å trekke opp den sorte kraven.

Bytt ikke gassflasken i nærheten av åpen flamme. Kontroller alltid alle gasskoblinger ved å forta gasslekkasjetest etter flaskebytte.

### Før første gangs bruk

Før du begynner å grille, foreta komplett lekkasjetest, tenn grillen og la grillen stå på maks effekt (MAX) i 5 minutter med åpent grilllokk. Steng grilllokket og la grillen stå på høyeste effekt i ytterligere noen minutter. La grillen stå i 15 minutter til den er kald. Rengjør grillristen og grillplaten med en grillbørste. Pensle de deretter med matolje. Nå er grillen klar til bruk.

### Lekkasjetest

Gjennomfør lekkasjetesten:

- Før du bruker grillen første gang.
- Hver gang du bytter gassflasken eller noen annen komponent i gasssystemet.
- Minst en gang pr. år, helst i begynnelsen av grillsesongen.

Lekkasjetesten skal gjennomføres ute uten varmekilder tilstede, åpne flammer eller lettantennelig væsker. Røyk ikke under testen. Benytt en 50/50 % såpe/vannblanding, eller en lekkasjespray. Benytt aldri fyrstikker eller åpen flamme for å gjennomføre lekkasjetesten.

### Følgende deler skal kontrolleres

- Gassflaskens ventil og pakning mot regulator.
- Regulatoren och dens tetning.
- Alle slangekoblinger, også til en eventuell sidebrenner.
- Benytt en gassflaske som nylig er fylt og kontrollert. Påse at alle grillens brytere er stengt. (OFF) på grillen.
- Åpne gassflaskeventilen.
- Pensle på såpe/vannløsningen/lekkasjesprayen på

alle ovennevnte komponenter og koblinger.

- Se nøye etter om det bobler, noe som er en indikasjon på at det er en lekkasje.
- Trekk etter de koblingene som boblene kom ved. Gjentatt lekkasjetest viser at lekkasjen er stoppet (Steng regulatoren mens du utbedrer lekkasjen).

Bruk ikke grillen hvis du ikke greier å utbedre lekkasjen. Steng flaskeventilen og frigjør regulatoren fra flasken og ta kontakt med autorisert service eller din forhandler.

## **BRUK AV GRILLEN**

### **Tenning med batteritennen**

1. Åpne alltid grilllokket og sidebrennerens lokk før tenning.
2. Åpne ventilen på lavtrykkregulatoren.
3. Trykk inn og vri bryteren till FLAME SYMBO-punkten.
4. Trykk inn batteritennenens knpp til grillen tenner.
5. Juster effekten ved å vri bryteren mellom stor og liten effekt.
6. Når brenneren er tent, kan resterende brenner tennes ved å vri tilhørende brytere til bilde av den store flammen.

Hvis brenneren fortsatt ikke tenner, les avsnittet feilsøking eller tenn med en lang fyrstikk.

### **Manuell tenning om ikke den integrerte piezotennen fungerer**

1. Åpne alltid lokket og sidebrennerens lokk før tenning.
2. Åpne ventilen til lavtrykkregulatoren på gassflasken.
3. Tenn først brenneren som er synlig under grillristen. Trykk inn bryteren og vri til det store flammesymbolet.
4. Samtidig fører du en fyrstikk inntil brenneren. Kontroller at brenneren tennes ved å se gjennom grillristen og varmfordelingsplaten.

Hvis brenneren fortsatt ikke tenner, les avsnittet feilsøking.

## **Advarsel**

### **Len deg aldri over grillen når du tenner eller bruker den.**

Hvis brenneren ikke tenner etter tre forsøk i løpet av 10 sekunder, vri bryteren til stengt posisjon (OFF). Steng gassflaskens ventil. Åpne grillens lokk och vent minst 5 minutter til gassen er ventilert bort. Etter dette kan du prøve å tenne grillen igjen.

### **Bruk av grillen**

1. Benytt aldri mer enn en brenner på Maks effekt når du steker mat med grillens lokk stengt. Oftest er det tilstrekkelig med en brenners effekt for å tilberede mat.
2. Benytt aldri mer enn to brennere på Maks effekt, fordi varmen kan skade grillens deler.
3. Hvis grillen har sidebrenner, er den dimensjonert for å tåle en 3 l kjeles vekt, og bruk av større kjeler er forbudt.
4. Forlat aldri en tent grill uten tilsyn.

### **Flammen slår tilbake til ventilen**

Ved sterk vind kan flammen slå tilbake til ventilen. Da brenner flammen under kontrollpanelet. Det høres kraftig sus/fresing.

Steng av grillen umiddelbart ellers kan grillens ventil, bryterpanel og brytere skades.

Denne typen skader dekkes ikke av garantien.

## Avstenging

1. Steng gassflaskens ventil.
2. Når alle flammer har slukket, vri alle bryterne til "OFF"-posisjon. Kontroller igjen at gassflaskens ventil er stengt.
3. Ta lavtryksregulatoren av gassflasken.

## Varmefordelingsplater

Det ligger varmfordelingsplater over grillens brennere. Disse sprer varmen jevnt til grillflaten, hindrer direkte kontakt mellom flammer og mat og beskytter brennerne fra fett, saltholdige væsker og marinader.

Lavastein brukes ikke.

Varmefordelingsplatene legges over brennerne som er under grillristene. Under grillplaten brukes det ikke varmfordelingsplater. Derfor er det ikke like mange varmfordelingsplater som brennere.

## Forberedelser

Før du begynner å grille, skal grillen varmes opp i 3-5 minutter på høyeste effekt med lokket stengt. Hvis maten du skal grille krever en lavere temperatur, still justeringsknappene på ønsket effekt før du legger på maten. Benytt aldri alle brennerne på Maks effekt når du griller. Grillen blir for varm å lage mat på, du forbruker unødig mye gass, og du kan skade grillen. Ofte er det tilstrekkelig å benytte to brennere med lavere effekt. Dine grillerfaringer vil gi deg kunnskap om dette etter hvert.

## Grilltider

Dette påvirkes av mange faktorer og dine grillerfaringer kommer til å hjelpe deg. Maten, tykkelsen og til og med været påvirker grilltiden. En varm dag krever lavere effekt, mens en høyere effekt er bedre på en kald dag. Det beste resultatet får du ved å prøve ulike muligheter.

## Oppflammer

Oppflammer forårsakes av for høy temperatur og medfører at fett renner fra maten og kan forårsake fettbrann. Små oppflammer er normalt og bidrar med røyk som gir maten smak og aroma. For å

holde oppflammerne på normalt nivå, følg følgende anbefalinger:

- La marinaden renne godt av og skjær bort overflødig fett fra kjøttet/steken.
- Grill kylling og svin med lavere temperatur.
- Rengjør grillen med jevne mellomrom.
- Påse at hullet for fettavrenning ikke er tett og at fettkoppen ikke er full. Rengjør fettkoppen med jevne mellomrom.
- Grill med lukket grilllokk og med den lavest mulige effektive temperatur.

Med grilllokket i stengt posisjon kommer du til å holde en mer konstant temperatur i grillen og sparer gass på denne måten. Maten tørker heller ikke når lokket er stengt fordi når propangassen brenner dannes det vanddamp som bidrar til saftigere grillresultat.

## Marinader

Maten marineres før den legges på grillen. Marinaden kan forårsake at maten fester seg på risten og grillplaten. Den kan også renne ned under grillen å ta fyr.

Når marineringen er klar:

- Tørk bort overflødig marinade fra kjøttet.
- Hell ikke marinade på mens du griller.
- Ikke bruk den ferdige marinaden som gris eller høne har ligget i. Det er bakterier fra det rå kjøttet.
- Hvis du vil ha mer smak eller en glaserings på utsiden av det du griller, så kan du legge på en egen kryddersaus som du lager selv.

## Vedlikehold

Din grill kommer til å vare i mange år hvis du gjennomfører følgende etter hver gangs grilling etter at grillen er blitt kald.

## Støpejernsriste og støpejernsplate

Hvis mat har satt seg fast på risten eller platen, følg disse rådene:

- Tørk bort fett og marinade med husholdningspapir. Vær nøye, for om det blir noe igjen kan det forårsake fettbrann i grillen.
- Legg risten og platen inn i grillen og tenn grillens brennere som er nærmest den fastbrente maten på platen og risten i grillen og steng lokket.
- Sett brennerne på maks effekt i maks 5 minutter slik at all mat og marinade brennes bort.
- Slå av grillen og åpne lokket. La grillen avkjøles i 15 minutter og skrub med en myk messingbørste. Stålbørste er for stiv og vil ødelegge platene. **Skader ved bruk av stålbørste dekkes ikke av garantien.**
- Pensle grillristene og grillplaten med matolje etter rengjøringen, og grillen er klar til bruk igjen.
- Normal slitasje på grillristen og grillplaten samt rust forårsaket av dårlig vedlikehold dekkes ikke av garantien.

### Grillens øvrige deler

Grillens tredeler skal pusses som følger:

- Alle tredeler skal vaskes med varmt vann og såpeblanding. Bruk en fuktig klut.
- Deretter tørker du av alle fuktige flater.
- Tre deler bør behandles med vanlig beskyttelsesmiddel minst 2-3 ganger pr. år. Slik unngår du at treverket tørker og sprekker. Bruk beskyttelsesmiddelet som beskrevet i den enkelte bruksanvisning, men prøv deg fram på et mindre område først for å forsikre deg om at det er riktig for det aktuelle treverket.

Grillens ståldeler skal behandles på følgende måte:

- Alle blanke ståldeler skal vaskes med varmt vann og såpe. Bruk en fuktig klut.
- Etterpå tørkes alle fuktige flater.
- Kontrollpanelet skal vaskes med en fuktig klut. Det skal ikke pusses eller brukes pussemiddel. Pussemiddel kan fjerne tekst og informasjon fra panelet.
- Alle ståldeler som grilllokket og frontpanelet må behandles med et vanlig stålpussemiddel som for eksempel CRC 5-56 minst tre ganger pr. år. Bruk middelet i henhold til dets anvisninger.

Dette motvirker smuss og rustflekker på flatene. Bruk vedlikeholdsmiddelet i henhold til dets anvisninger, men prøv det ut på et sted som er lite synlig først. Dette gjøres for å kontrollere at middelet passer til bruk på stållatene.

- Bruk stålpussemiddel kun på grillens ytre flater.

Grillens fettoppsamler skal rengjøres på følgende måte:

- Under grillen er det et fettbrett som skal tømmes når det er fett og marinade i den. Fett kan begynne å brenne.
- Rengjør fettoppsamleren med varmt vann og såpe. Rengjøringen av fettoppsamleren blir enklere hvis det legges bakepapir i bunnen og aluminiumsfolie over dette. Bruk noen stener for å holde papiret på plass. Når fettoppsamleren må tømmes fjernes bakepapiret og folien. Legg ikke sand i fettoppsamleren.

**Obs!** Fett og marinader kan begynne å brenne. Skader som oppstår som resultat av fettbrann dekkes ikke av garanti.

Grillens varmefordelingsplate skal rengjøres på følgende måte:

- Når grillens rist og plate er rengjort som tidligere beskrevet tas disse vekk.
- Skrub av varmefordelingsplatene med en myk messingbørste.
- V armefordelingsplatene kan også rengjøres med varmtvann og såpe.
- Etter rengjøring legges platene tilbake på plass.
- Legg deretter rist og plate tilbake på plass.

V armefordelingsplatenes slitasje ved normal bruk eller rust som følge av manglende vedlikehold eller opbevaring dekkes ikke av garantien.

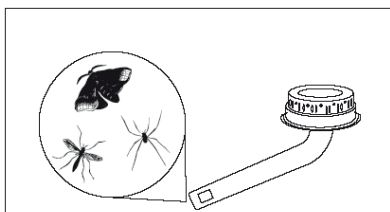
### Brennerne

Minst to ganger i året er det viktig å plukke ut brennerne og tennrørene for rengjøring. Bruk børste eller piperensere for rengjøring av venturierørene. (Brennernes hals) Kontroller at alle hull i brenneren er åpne. Hvis brenneren er blitt skadet eller er rusten, så bytt den ut med en gang.



Brenneren kan kjøpes som en reservedel. Hvis brenneren er i god stand, monter den korrekt tilbake. Vær nøye med at brennerne blir tilbakemontert korrekt inn på ventilene og at de skrur godt fast i grillen. Kontroller samtidig at ventilens dyse er ren.

Under transport og lagring er det mulig at små insekter, som f.eks. edderkopper, finner sin vei inn i for eksempel venturierøret. Der bygger de nett som kan blokkere gassflyten gjennom venturierøret. Dette merkes som en gul og sotete brennerflamme eller forhindrer brenneren i å tenne. Det kan også innebære at gassen begynner å brenne utenfor brenneren, noe som kan føre til store skader på grillen.



Hvis dette inntreffer, sett bryterne i stilling "OFF" og vent til grillen er blitt kald. Når den er kald kan du løsne brennerne og rengjøre venturierøret med børste og piperenser. Monter tilbake brennerne og forsikre deg om at de entrer inn på gassventilene med dyser.

Om gassen har brent utenfor brenneren skal alle berørte deler kontrolleres før ny tenning. Om deler er skadet skal du kontakte importøren.

Rengjøring av venturierørene skal skje med jevne mellomrom, og spesielt før hver grillsesong.

### **Garantien dekker ikke skader som oppstår på grunn av tette venturierør, dyser eller rust.**

Grillens brennere rengjøres på følgende måte:

- Ta bort grillristen, platen og varmfordelingsplatene.

- Løsne skruen eller klipset som sitter i bakkant av brenneren og ta ut brenneren
- Rengjør alle hull i brenneren med en ståltråd.
- Om brenneren er i dårlig stand eller rusten, bytt den ut i en ny.

Om brenneren er i god stand monteres den tilbake på plass etter rengjøring.

- Sørg for at venturierøret monteres rett på ventilen.
- Fest brenneren til grillkassen med skrue eller klips.
- Legg varmfordelingsplatene, rist og plate tilbake på plass.

Brennerens slitasje ved normal bruk eller rust som følge av manglende vedlikehold eller feil oppbevaring dekkes ikke av garantien.

### **Lagring**

Når grillsesongen er over og det er på tide med vinterlagring, gjør følgende:

- Rengjør grillen nøye. Rengjør delene med varmt vann og såpe. Bruk klut eller oppvaskbørste. Rengjør grillkassen og lokket også fra innsiden.
- Tenn grillen og la den brenne i ca. 20 minutter slik at den tørker helt.
- La grillen bli kald.
- Børste grillristen og grillplaten med grillbørste. Smør de deretter inn med matolje. Rapsolje er å foretrekke da dette er ren olje.
- Ta bort brennerne som tidligere beskrevet.
- Legg brennere, varmfordelingsplater, varmhylle, grillrist og grillplate i avisapir og oppbevar dette tørt innendørs.
- Behandle tredeler med treolje.
- Ta regulatoren av gassflasken.
- Spray gjerne rapsolje på blanke stålflater som konserveringsmiddel før vinterlagring.

Om grillen oppbevares utendørs, skaffes et grilltrekk, som selges separat. Et riktig grilltrekk skal nå helt ned og sitte på plass selv om det blåser. Sørg for at luft kan sirkulere under grilltrekket. Grillen skal helst oppbevares under tak så den er

beskyttet fra regn og snø. Pass på at snø som faller fra taket ikke kan skade grillen.

Skader som resultat av fallende snø eller vind dekkes ikke av garantien.

## Deler som skal oppbevares innendørs

Følgende deler skal oppbevares innendørs:

- Støpejernsgrillrist og – plate
- V armehylle
- Brennere
- V armerfordelingsplater

## Oppbevaring av gassflasken

Når grillen ikke er i bruk, må gassen være avstengt ved flaskeventilen. Grillen og gassflasken kan lagres ute i et godt ventilert område. Gassflasken kan ikke lagres i en garasje, i et lukket rom under bakken eller nær varme flater. Skal grillen lagres inne, koble fra gassflasken. Lagre gassflasken i et godt ventilert område, og påse at sikkerhetslokket er påsatt. Gassflasken må ikke lagres i garasjen, på loftet eller nær en varmekilde.

## GARANTI OG GARANTIHÅNTERING

### Garanti

For denne grillen gis det to års garanti på produksjon og materialfeil. Ta vare på kjøpskvitteringen og stift den sammen med bruksanvisningen som din garantiseddell. Gjør du garantikrav, må innkjøpssted og dato oppgis.

Garantien gjelder ikke feil som har oppstått ved normal slitasje eller ved at grillen har rustet, tredeler er misfarget/har slått seg, man har brukt grillen feil eller ikke har vedlikeholdt grillen tilstrekkelig.

At det skjer fargeendringer, at det oppstår flekker på stålfatene eller at de er blitt mørkere, er normalt etter bruk. I fuktig og saltholdig miljø, kan stålfatene få rustflekker om de ikke settes inn med rusthindrende middel. Hvis flekker oppstår

på tross av dette, så går det bra og bruke grillen ettersom rustflekker er normalt på stålfater og omfattes derfor ikke av garantien.

Hvis produktet eller dets deler viser seg å være defekte i løpet av garantitiden skal du kontakte forhandleren som behandler garantisaken. Forhandleren erstatter en defekt del eller en manglende del. Skifte av delen må du foreta selv. Garantien gjelder ikke om forutsetningene foran ikke er blitt fulgt.

Garantien gjelder ikke om produktet benyttes til kommersielt bruk. Garantien gjelder heller ikke om grillen er blitt forandret og ikke er brukt i henhold til denne manualens instruksjoner.

Følgende deler slites ved normalt bruk. Garantien gjelder derfor ikke for disse.

- Støpejernsbrennere og rørbrennere i stål
- Grillrist og grillplate
- V armehyllen
- V armerfordelingsplater (Flavoriser)
- Gasslederørene

Nye deler i stedet for slitte kan bestilles av din forhandler.

### Garantihandtering

Hvis produktet eller deler av dette viser seg å være defekt under garantitiden eller det er mangler under montasjen, skal du kontakte forhandleren. Forhandleren tar seg av alle garantisaker. Følgende opplysninger skal gis til forhandleren:

- Grillens navn og varenummer
- Grunnen til reklamasjonen
- Artikkelnummer på defekt del ifølge delelisten
- Kopi av kvittering eller opplysninger om kjøpssted og dato
- Navn, telefonnummer, adresse og postnummer

## FEILSØKNINGSTABELL

Problem	Mulige årsaker	Tiltak
Brenneren tenner ikke	<ul style="list-style-type: none"> <li>• Blokkert brennerhull</li> </ul>	<ul style="list-style-type: none"> <li>• Rengjør brenneren</li> </ul>
Brennerne er ikke tilstrekkelig varme	<ul style="list-style-type: none"> <li>• Gassflaskens ventil er stengt</li> </ul>	<ul style="list-style-type: none"> <li>• Åpne gassflaskens ventil</li> </ul>
	<ul style="list-style-type: none"> <li>• Brenneren er ikke korrekt installert</li> </ul>	<ul style="list-style-type: none"> <li>• Kontroller brennerens installasjon</li> </ul>
	<ul style="list-style-type: none"> <li>• Brennerens venturierør er tett</li> </ul>	<ul style="list-style-type: none"> <li>• Rengjør eller bytt ut brenneren</li> </ul>
	<ul style="list-style-type: none"> <li>• Lavt gassnivå eller flasken er nesten tom</li> </ul>	<ul style="list-style-type: none"> <li>• Bytt gassflaske</li> </ul>
	<ul style="list-style-type: none"> <li>• Regulatoren er ikke ordentlig påsatt</li> </ul>	<ul style="list-style-type: none"> <li>• Kontroller regulatoren</li> </ul>
Gule flammer fra brennerne	<ul style="list-style-type: none"> <li>• Delvis tett venturierør</li> </ul>	<ul style="list-style-type: none"> <li>• Rengjør brenneren</li> </ul>
	<ul style="list-style-type: none"> <li>• Salt eller marinade i brenneren</li> </ul>	<ul style="list-style-type: none"> <li>• Rengjør brenneren</li> </ul>
Brennerne tenner med fyrstikk, men ikke med grillens tenner	<ul style="list-style-type: none"> <li>• Dårlig kontakt på tenneren</li> </ul>	<ul style="list-style-type: none"> <li>• Kontroller koblingene</li> </ul>
	<ul style="list-style-type: none"> <li>• Defekt elektrode</li> <li>• Dårlig jording</li> </ul>	<ul style="list-style-type: none"> <li>• Påse att gasslederørene, brenneren, batteriet og batteri-tenneren er korrekt installert</li> </ul>
	<ul style="list-style-type: none"> <li>• Defekt tenner</li> </ul>	<ul style="list-style-type: none"> <li>• Bytt tenneren</li> </ul>
Flammen blåser ut	<ul style="list-style-type: none"> <li>• Sterk vind</li> </ul>	<ul style="list-style-type: none"> <li>• Plasser grillen i ly av vinden</li> </ul>
	<ul style="list-style-type: none"> <li>• Lavt gassnivå</li> </ul>	<ul style="list-style-type: none"> <li>• Bytt gassflaske</li> </ul>
For høy temperatur eller oppflammer	<ul style="list-style-type: none"> <li>• For mye fett i maten</li> </ul>	<ul style="list-style-type: none"> <li>• Tørk av kjøttet og juster brennerens effekt</li> </ul>
	<ul style="list-style-type: none"> <li>• Fullt fettavløp</li> </ul>	<ul style="list-style-type: none"> <li>• Tøm fettkoppen og rengjør brennerne</li> </ul>
	<ul style="list-style-type: none"> <li>• Feilplasserte grillrister</li> </ul>	<ul style="list-style-type: none"> <li>• Plasser grillristene på nytt</li> </ul>
Flammer bak frontpanelet	<ul style="list-style-type: none"> <li>• Tette venturierør/brennere</li> <li>• Sterk vind</li> </ul>	<ul style="list-style-type: none"> <li>• Steng gassflaskens ventil umiddelbart. La grillen avkjøles og rengjør brennerne.</li> </ul>
Regulatoren durer	<ul style="list-style-type: none"> <li>• Det er ingen feil eller farlig situasjon</li> </ul>	<ul style="list-style-type: none"> <li>• Tilfeldig forstyrrelse avhengig av temperaturen ute i kombinasjon med nivået på gassen i flasken.</li> </ul>
Uregelmessig flamme	<ul style="list-style-type: none"> <li>• Tett, rusten eller defekt brenner</li> </ul>	<ul style="list-style-type: none"> <li>• Rengjør eller bytt ut brenneren</li> </ul>

## ÜLDJUHISED

Ostes selle gaasigrilli, oled ühtaegu kohustatud lugema läbi kõik käesolevas kasutusjuhendis olevad kokkupaneku-, kasutus-, ja hooldusjuhised. Loe läbi kõik juhendid ja nõuanded, enne kui hakkad seadet kasutama. Enne gaasigrilli kasutuselevõttu pead sa eriti tähelepanelikult lugema ja mõistma kõiki hoiatus- ja turvajuhiseid. Järgi täpselt süütamise ja kasutamisega seotud juhiseid. Ole metallosadega ettevaatlik, et end mitte vigastada. Järgi kõiki juhendi punkte nende järjestuses.

### **SEE GRILL ON MÕELDUD AINULT VÄLISKASUTUSEKS.**

**GRILLI AVATUD KONSTRUKTSIOONI, RASVA VÕIMALIKU KONSTRUKTSIOONIDESSE VALGUMISE JA VÄLJAPOOLE PRITSIMISE TÕTTU ÄRA KASUTA GRILLI TUNDLIKE PINDADE LÄHEDUSES VÕI NENDE PEAL.**

**GRILLIST VÕIB VALGUDA RASVA VÕI MARI-NAADE GRILLI ALLA, ALAPINNALE VÕI -KAPPI NING NEED VÕIVAD PRITSIDA ÜMBER GRILLI. RASVA VALGUMINE JA PRITSMED ON GRILLI KASUTAMISEL NORMAALNE NÄHTUS.**

**GRILLIL ON CE-MÄRGISTUS NING SEE ON KEHTI-VATE MÄÄRUSTE KOHASELT HEAKS KIIDETUD.**

**GRILLI KONSTRUKTSIOONI VÄHENEGI MUUT-MINE ON KATEGOORILISELT KEELATUD. GRILLI KOKKUPANEKUL EI TOHI ÜHTKI OSA JÄÄDA KON-STRUKTSIOONILE KINNITAMATA, SAMUTI EI TOHI MINGEID OSI LISADA.**

### **GRILLIGA SEOTUD HOIATUSED JA OHUTUSJUHISED**

1. Grill on mõeldud ainult väliskasutuseks.
2. Pärast kasutamist sule alati gaasiballoon.
3. Järgi kõiki paigaldusjuhendeid. Kui juhendeid ei järgita, võib kasutamisel tekkida probleeme.

4. Kasutamise ajal grill kuumeneb. Ole valvas, kui lähed-uses on lemmikloomi, lapsi või vanureid.

5. Kui tunned tugevat gaasilõhna, sule gaasiballoon viivitamatult. Kustuta kõik põlevad leegid, sulgedes iga põleti regulaatori. Ava grilli kaas ja kontrolli võimalikke gaasilekkeid. Tee lekkedekontroll vastavalt juhistele. Paranda võimalikud lekkivad ühendused. Kui viga ei õnnestu leida, võta kontakti gaasipaigaldusfirma või maaletoojaga.

6. Ära teiscalda grilli selle kasutamise ajal või siis, kui grill on veel kuum.

7. Ära kasuta või hoia põlevaid materjale, vedelikke või gaase grilli läheduses.

8. Ära kunagi kontrolli gaasileket lahtise tulega.

9. Ära kasuta grilli, kui sellel on midagi viga.

10. Ära eemalda mingeid ühendusi grillist või regulaator-ist, kui grill on kasutusel.

11. Ära kunagi jäta grilli selle kasutamise ajal järelevalveta.

12. Ära luba lastel grilli kasutada.

13. Grilli tuleb regulaarselt puhastada. Ole ettevaatlik, et mitte vigastada põletite avasid ja regulaatorite düüse.

14. Eriti grilli põhi, rasvavalek, grillimisplaat ja -rest tuleb puhastada rasvast ja marinaadidest. Rasva põlemise oht.

15. Ära kasuta grilli varikatuse all, seina ääres, garaazis, elamuautos või -vagnis, paadis, suletud ruumis või siseruumides. Kontrolli, et läheduses ei oleks tuleohtlikke materjale. Vaba ruumi peab olema grilli külgedel üks meeter, soovitatavalt rohkem.

16. Soovitame, et grilli hooldataks ja puhastataks vähemalt kord aastas. Kui sa ei tea täpselt, kuidas seadet hooldatakse, ära ürita seda ise teha, vaid lase hooldus teha volitatud gaasihooldusfirmal.

17. Ainult gaasipaigaldusõigustega hooldefirma tohib hooldada ja reguleerida grilli peaventiile, gaasikraane ja ventiilide düüse.

18. Tee grillile alati lekkedekontroll, kui võtad selle kasu-tusele pärast pikka säilitusaega, näiteks kevadel, ning alati, kui vahetad gaasiballooni või oled hankinud süsteemile uusi osi nagu rõhureduktori või gaasivooliku.

19. Grilli kaas peab olema alati lahti, kui seda säilitad.

20. Kasuta grilli kasutamisel kuumakindlaid grillimiskin-daid ja tugevaid pika varrega grillimisriistu.

21. Ole valmis võimalikuks õnnetuseks nii, et tead, kus on esmaabipakend ja tulekustuti. Samuti pead oskama neid kasutada.

## TEHNILISED ANDMED

Mudel: Cello Ready 3 (A300)

Koguvõimsus: 10,5 kW

Koguvõimsus külgpõleti: 10,5 kW

Gaasikulu: 764 g/h

Töörõhk: 30 mbar

Gaas: Vedelgaas

Kasutusklass: I3B/P

Peapõleti düüsi läbimõõt: 0,93 mm

Pliit düüsi läbimõõt:



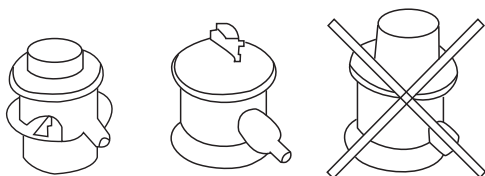
2531-19

HÜÜDNIMI NUMMER:2531CU-0080

## ENNE GRILLI KASUTUSELEVÕTTU

### Gaasiballoon, gaasivoolik ja reductor

Koos grilliga ei tarnita gaasivoolikut, madalrõhureduktorit ega vooliku pingutusklambreid. Need müüakse eraldi. Osta vähemalt 5 kg ja maksimaalselt 11 kg vedelgaasiballoon, madalrõhureduktor (30 mbar) ja gaasivoolik edasimüüjalt. NB! Ballooniga ühendatav reductor ei tohi olla mingil juhul reguleeritav. Sellel peab olema kiri, et reductori töörõhk on 30 mbar.



Pildil on 30 mbar madalrõhureduktorid, mis on õiged gaasigrillile paigaldamiseks, ning paremal kõrgrõhureduktor, mis on mõeldud vedelgaasil töötavatele tööriistadele. Seda ei tohi gaasigrillil kasutada.

Gaasivoolik peab olema Soomes heakskiidetud, 10 mm läbimõõduga vedelgaasivoolik. Selle maksimaalne pikkus tohib olla 1,2 m.

Kasuta grilli all olevat pinda vaid gaasiballooni säilitamiseks. Kui kasutad grilli, võta balloon ohutuse tagamiseks alati grilli alt ära.

## Gaasiballooni paigaldamine

1. Kontrolli, et kõik grilli regulaatorid oleksid kinni (OFF).
2. Paigalda gaasivoolik tihedalt madalrõhureduktori osakule ning teine ots grillil olevale voolikuotsakule. Kasuta pingutamiseks voolikuklambreid.
3. Kinnita madalrõhureduktor gaasiballoonile. Kontrolli reductori kinnitust gaasiballoonil, tõmmates seda tugevasti ülespoole.
4. Ava gaas reductorist aeglaselt, et gaasirõhk ühtlustuks.

## Gaasiballooni lahtivõtmine

1. Sulge gaasivool reductorist.
2. Kontrolli, et kõik grilli regulaatorid oleksid kinni (OFF).
3. Võta reductor gaasiballoonilt lahti.

Ära vaheta gaasiballooni lahtise tule või hõõguvate süte läheduses.

## Grilli kasutuselevõtt

Enne grilli esmakasutust tee sellele täielik lekkek kontroll vastavalt juhenditele. Süüta grill ja kasuta kõiki põleteid maksimaalse võimsusega umbes 5 minutit, kaas avatuna, kuid mitte kauem. Seejärel sulge gaas ja jätka grilli kasutamist maksimaalsel võimsusel veel 2 – 3 minutit. Kui see on tehtud, on grilliit konserveerimismäärded maha põletatud. Lase grillil umbes 15 minutit jahtuda. Puhasta grillimisplaati ja -rest grillipuhastusharjaga. Määri grillimisplaati ja -resti toiduõliga. Nüüd on grill kasutusvalmis.

## Lekkek kontroll

Lekkek kontroll tuleb sooritada alati järgmistel juhtudel:

- Enne grilli esmakordset süütamist.
- Iga kord, kui paigaldatakse uus, täidetud gaasiballoon või vahetatakse välja mõni osa.
- Vähemalt kord aastas on soovitatav teha lekkek kontroll, vähemalt kasutushooaja alguses.

Lekkek kontroll tuleb sooritada alati väljas, eemal kuumusest, lahtisest tulest ja

tulehtlikest vedelikest. Kontrollimise ajal ära suitseta. Kasuta kontrollimiseks alati vaid vedelseebi ja vee lahust suhtes 50/50. Ära kunagi kasuta tuletikke või lahtist tuld.

### **Lekkekontrolli tegemisel tuleb kontrollida alati järgmisi asju**

- Gaasiballooni ventiil ning ballooni keermed.
- Kõik gaasiballooni keevituskohad.
- Reduktori kinnitused ja gaasiballooni ühendused.
- Kõik voolikuühendused ja külgpõleti voolikud, kui need on olemas.

### **Soorita lekkekontrolli järgmisel viisil**

- Kasuta hiljuti täidetud ja kontrollitud gaasiballooni, mis on ühendatud grilliga, ning kõik grilli regulaatorid on kinni (OFF).
- Ava reductor.
- Kasutades harja ja seebivett, niisuta kõiki punktis 32.6 mainitud ühendused ja osad.
- V aata tähelepanelikult tekkivaid mulle, mis annavad märku gaasilekkest.
- Pinguta mullitavas kohas ühendusi, kuni uuesti kontrollides lekke tunnuseid ei ole näha (sule gaas alati, kui parandad lekkivaid kohti).
- Sule reductor ja kontrolli, et reguleerimisventiilid oleksid kinni.

Ära kasuta grilli, kui lekkeid ei ole võimalik parandada. Sule gaasiballooni ventiil ja eemalda gaasiballoon ning võta kontakti müüjaga.

## **GRILLI KASUTAMINE**

### **Põleti süütamine patareidel toimiva süütajaga**

1. Ava grilli kaas alati kui süütad põletit.
2. Ava gaasivool balloonist regulaatori abil.
3. Vajuta ja keera keskmist gaasipõleti reguleermise nuppu leegi kujutisega FLAME SYMBOL asendisse.
4. Vajuta piezo-süütaja alla, kuni grilli põleti süttib.
5. Reguleeri põleti leeki keerates põleti leegi reguleerimise nuppu suurema ja väiksema võimsuse vahel.
6. Kui põleti on süttinud, siis võib süütada ka ülejäänud põletid, keeraes vastava põleti nuppu vastupäeva.

Kui põleti ei sütti, vaata üle probleemi lahenduse tabel või süüta grill pika tuletiku abil.

### **Süütamine tikkudega, kui patareidega piezo ei toimi**

Grilli kere paremas otsas asuvat õhuava võib kasutada grilli süütamiseks.

1. Ava grilli kaas alati kui süütad põletit.
2. Ava gaasivool balloonist regulaatori abil.
3. Lükka süütatud pikk tuletikk grilli keres asuvas õhuava kaudu grilli põleti lähedale.
4. Vajuta ja keera parempoolse gaasipõleti reguleermise nuppu leegi kujutisega FLAME SYMBOL asendisse, mille tulemusel peaks põleti süttima. Tee kindlaks, et grill on süttinud vaadates grilliresti ja soojusjaotuse plaadi vahedest.

Kui põleti ei sütti ikka veel, siis vaata üle probleemi lahenduse tabel, et leida lahendus.

**Ettevaatust!** Ära kunagi kummardu grilli kohale, kui süütad või kasutad grilli.

Kui grilli põleti ei sütti mitmest katses hoolimata 10 sekundi jooksul, sulge grilli nupud ja gaasivool balloonist. Jäta grillil kaas lahti ja oota vähemalt 5 minutit enne kui üritad uuesti grilli süütada. Nii tuuldub grilli kogunenud gaas ära.

Kui põleti ei sütti ikka veel, siis vaata üle probleemi lahenduse tabel, et leida lahendus. Või proovi põletit süütada pika tuletiku abil.

**TÄHELEPANU!** Grilli juures asuva gaasipliidi raam kannab umbes 5kg suurust raskust. Ära ületa kaalu-piirangut.

### **Grilli kasutamine**

1. Ära kasuta rohkem kui üht põletit maksimaalse võimsusega, kui valmistad grillis toitu, kaas kinni. Üldiselt piisab selle ühe põleti võimsusest toidu valmistamiseks.
2. Ära kunagi kasuta rohkem kui kaht põletit täisvõimsusel ühtaegu. Liigne kuumus kahjustab grilli osi.
3. Ära kunagi jäta töötavat grilli hetkekski järelevaleta.

### **Leegi kandumine põleti all**

Tuulise ilmaga on võimalik, et tuul surub leegi põletist ära. Siis jääb leek põlema juhtpaneeli alla. Ühtaegu kuulduv tugev kohisev või korisev heli.

Sellisel juhul tuleb grill viivitamatult kustutada. Kui seda ei tehta, võivad grilli ventiil, juhtpaneel ja reguleerimisnupud viga saada.

Kui leek tuulest tingituna allapoole kandub ja tekkivat kahjustused, siis kindlustus neid ei hüvita.

### **Grilli kustutamine**

1. Keera gaasiballoon kinni.
2. Kui kõik leegid on põletites kustunud, keera põletite regulaatorid kinni, OFF- asendisse. Kontrolli veelkord, et balloonist gaasi ei tule.
3. Võta reductor gaasiballoonist lahti.

### **Soojusjaotusplaadid**

Sellel grillil on põletite kohal soojusjaotusplaadid. Nende eesmärk on jaotada soojust ühtlaselt grillimis-pinnale, takistada kuuma leegi kokkupuudet otse grillitavate toiduainetega ning kaitsta

põleteid toidust tilkuvate rasvade, soolaste vedelike ja marinaadide eest.

Grillis ei ole kasutatud laavakivi.

Soojusjaotusplaadid pannakse grillimisresti all olevate põletite peale. Grillimisplaadi all soojusjaotus-plaate ei kasutata. Sellest tulenevalt on soojusjaotus-plaatide arv erinev põletite arvust.

### **Ettevalmistused**

Enne toiduainete paigutamist grilli tuleb seda kuumendada. Selleks grill süüdatakse ja lastakse leegil põleda maksimaalsel võimsusel umbes 2 – 5 minutit, kaas suletud. Kui valmistatav toit nõuab küpsetamiseks madalamat temperatuuri, keera võimsust regulaatoriga vähemaks, enne kui toiduained grillile paned. Ära kasuta kõiki grilli põleteid maksimaalvõimsusel üheaegselt, sest siis on grill toiduvalmistamiseks liiga kuum ja ühtlasi kulutad liigselt gaasi. Üldiselt piisab, kui korraga põleb üks-kaks põletit ning needki väikese võimsusega. Siin tulevad ka appi grillimiskogemused.

### **Küpsetusaeg**

Seda mõjutavad mitmed asjaolud ning ka grillimiskogemusest on abi. Küpsetusajale võivad mõjuda toorained, grillitavate toiduainete suurus ja isegi ilm. Kogemused näitavad, et palaval päeval on parem kasutada väiksemat võimsust ja külmal ajal jälle suuremat. Parima grillimistunnetuse saab siis, kui proovida valmistada erinevaid toite erineva võimsusega.

### **Leekide lahvatamine**

Leekide lahvatamine võib tõsta grilli sisetemperatuuri liiga kõrgeks ning lisada rasva tilkumist grillitavast toidust, mispeale tekib rasva põlemise oht. Vähesed lahvatused on normaalsed ja soovitatavad, sest need annavad toidule meeldiva grillimaitse. Leekide vaoshoidmiseks toimi järgmiselt:

- Eemalda enne grillimist lihalt nähtav rasv.
- Küpseta kana- ja sealiha väiksema võimsusega.

- Veendu, et rasvaeemaldusava grilli põhjas on lahti ja et rasvanõu ei oleks täis. Tühjenda ja pese rasvanõu regulaarselt.
- Grilli toiduaineid võimaluse korral alati kinnise kaane all ning kasuta võimalikult väikest vajalikku võimsust.

Kui grilli kaas hoitakse kinni, püsib temperatuur ühtlasena ning grill kulutab vähem gaasi. Ka toit ei hakka kinnise kaane all kuivama, seda tänu vedelgaasist eralduvale veeaurule ja grillis ringlevale soojusele.

## Marinaadid

Marinaadid on ette nähtud grillitavate toodete maitsestamiseks. Grillis põhjustavad marinaadid toodete kinnipõlemist grillimisrestile või -plaadile. Need võivad valguda grilli alla või süttida.

Kui marineerimine on lõpetatud:

- Enne grillile panekut eemalda lihalt liigne marinaad paberiga pühkides.
- Ära kunagi vala marinaadi grillis olevate toodete peale.
- Ära kunagi pintselda grillitavate või grillitud toodete peale marinaadi, milles on hoitud toorest liha, kana või kala. Toore liha bakterid jõuavad sel viisil valmistoidusse.
- Kui soovitakse lisada grillitud toodetele head maitset või läiget, võib grillimise lõpul pintseldada neid maitsestamiskastmega. Need kastmed tuleb aga eraldi valmistada.

## GRILLI HOOLDAMINE, PUHASTAMINE JA SÄILITAMINE

### Grilli hooldamine ja puhastamine

Et grill püsiks heas korras ning sellest oleks kasu paljude aastate vältel, tuleb seda ning erinevaid osi ka puhastada ja hooldada. Soorita vähemalt järgmised toimingud alati pärast igat kasutuskorda, kui grill on jahtunud.

## Grillimisrestid ja -plaadid

Kui grillimisrestidele ja -plaadidele on jäänud kinni toiduaineid, tegutse järgmises järjestuses:

- Pühi majapidamispaperiga liigne rasv ja marinaadid restidelt maha. Pühi hoolikalt, sest rasva ja marinaade ei tohi jääda grilli – need võivad süttida.
- Süüta grilli põletid vastavalt juhenditele. Sea põletid suurimale võimsusele. Pane grilli kaas kinni.
- Lase põletitel põletada kinnijäänud toiduained, rasv ja marinaad söestumiseni restil ja grillimisplaadil. Kasuta põleteid täisvõimsusel tühjas grillis maksimaalselt 5 minutit, muidu võivad grilli osad liigselt kuumeneda.
- Sule põletid, ava grilli kaas ja lase osadel jahtuda vähemalt 15 minutit, kuni neid on võimalik puudutada.
- Puhasta söestunud toiduained restilt ja grillimis-pinnalt messingharjaga. Hari peab olema tingimata grilli puhastamiseks ettenähtud messinghari. Tavaline terashari on liiga kõva ning rikub grilli osade pindasid. **Terasharja kasutamise jäljed ei käi garantii alla.**
- Lõpuks, kui restid on puhtaks harjatud, pintselda neid toiduõliga. Nüüd on grill järgmiseks kasutuskor-raks valmis.

Grillimisresti ja -plaadi kasutamisest tulenevad kulumine või hoolduse tegematajätmisest ja valest hoidmisest tulenev roostetamine ei kuulu garantii alla.

## Grilli muud osad

Grilli puitosad tuleb puhastada järgmisel viisil:

- Kõik puitosad tuleb regulaarselt puhastada seebivee ja niiske lapiga.
- Kuivata puhastatud pinnad hoolikalt.
- Puitosi tuleb töödelda üldiselt kauplustes müüda-vate, õuemööblile mõeldud puhastus ja hooldusva-henditega vähemalt 2 – 3 korda aastas. Sellega takistatakse puitosade kuivamist ja lõhenemist. Kasuta hooldusvahendeid vastavalt nende kasutus-juhistele, kuid kõigepealt proovi nende sobivust puito-sadele. Puhastus- ja hooldusvahendeid on soovitat katsetada puitosadel, mis ei ole otse nähtaval, näiteks tööpinna all. Nii saab veenduda,



et vastavad ained puitosade puhastamiseks sobivad.

Grilli terasest valmistatud osad tuleb puhastada järgmisel viisil:

- Kõik grilli terasosad tuleb regulaarselt puhastada seebivee ja niiske lapiga.
- Kuivata puhastatud pinnad hoolikalt.
- Juhtpaneelile trükitud tekste ja märke ei tohi puhastada muu kui ainult niiske lapiga. Ära küüri ega kasuta puhastusaineid. Need võivad kustutada juhtpaneeli teksti ja muud märgistused.
- Kõik terasosad nagu grilli kaaneplekk ja juhtpaneel tuleb töödelda üldiselt kauplustes müüdavate terasepuhastus- ja -hooldusvahenditega vähemalt 2 – 3 korda aastas. Näiteks universaalse aerosooliga CRC 5-56. Sellega takistatakse mustuse paakumine ja roostelaikude tekkimine teraspindadele. Kasuta hooldusvahendeid vastavalt nende omadele kasutusjuhenditele, kuid kõigepealt katseta nende sobivust grilli teraspindadele.
- Puhastus- ja hooldusvahendeid on soovitatav enne kasutamist proovida grilli osadel, mis ei ole otse nähtaval, näiteks kaane taganurgas. Nii on võimalik kindlustada vahendi sobivust grilli terasosadele.
- Kasuta puhastus- ja hooldusvahendeid ainult grilli välispindadel.

Grilli all olev rasvanõu:

- Grilli all olev rasvanõu tuleb tühjendada alati, kui sinna on grillist tilkunud marinaade ja rasva. Rasvanõus ei tohi olla suures koguses rasva, sest see võib süttida.
- Pese rasvanõu puhtaks kraanikausis.

**Tähelepanu!** Rasvanõus olevad rasv ja marinaad võivad süttida. Grilli rasvapõlengust tingitud kahjustused ei käi garantii alla.

Grilli soojusjaotusplaadid tuleb puhastada järgmiselt:

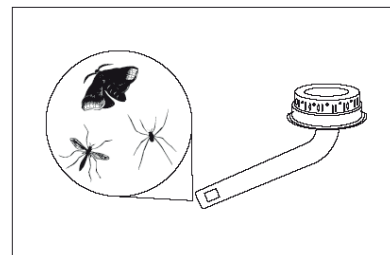
- Kui rest ja grillimisplaat on puhastatud vastavalt juhistelet, tõsta need oma kohtadelt ära.
- Puhasta soojusjaotusplaadid grillipuhastusharjaga.

- Võid pesta plaadid ka kraanikausis. Ära pane soojusjaotusplaate nõudepesumasinasse.
- Pärast puhastamist pane soojusjaotusplaadid oma kohtadele tagasi.
- Pane grillimisrest ja -plaat oma kohtadele tagasi.

Soojusjaotusplaatide kasutamisest tulenev kulumine või hoolduse tegematajätmisest ja valest säilitamisest tulenev roostetamine ei käi garantii alla.

## Grilli põletid

Grilli põletite ning ventiilide korrasolekut ja tööd tuleb regulaarselt kontrollida. Vähemalt kaks korda aastas tuleb grilli põletid lahti võtta ning kontrollida nende seisukorda. Põletite kõik avad on vaja kontrollida ja puhastada võimalikud ummistunud kohad. Samal ajal tuleb kontrollida, et ventiili düüs oleks puhas. Transportides, grillimiskordade vaheajal või säilitamisel on võimalik, et väikesed putukad, näiteks ämblikud, võivad pääseda gaasitorudesse, pesitseda seal või kududa oma võrkusid.



See võib takistada gaasi pääsu etteandeturusse, põhjustada suitseva kollaka leegi põletis või takistada põleti leegi süttimist täielikult. See võib isegi põhjustada gaasi põlemise etteandeturust väljaspool, mille tagajärjel võib grill oluliselt viga saada.

Kui nii juhtub, sule gaas ja oota grilli jahtumist. Kui grill on jahtunud, võta põleti juhendite kohaselt lahti ja puhasta gaasitorud harja või piibupuhastusvahendiga. Paigalda põleti tagasi vastavalt juhenditele ning veendu, et gaasitorud on paigaldatud gaasiventilide otsakute peale.

Kui gaas on süttinud väljaspool etteandeturu, kontrolli grilli kõigi osade

seisukorda, enne kui grilli uuesti süütad. Kui mõni osa on vigastatud, ära kasuta grilli. Võta kontakti maaletoojaga.

Gaasitorud tuleb puhastada regulaarselt, eriti kasutushooaja alguses.

Grillile antud garantii ei kata ummistunud gaasitorudest või ummistunud ventiilidüüsist tulenevaid kahjustusi.

Põletid puhastatakse järgmiselt:

- Eemalda grillimisrest ja -plaat ning soojusjaotusplaat.
- Eemalda põleti grilli tulekastist, keerates lahti kruvi, millega põleti on kinnitatud. Kruvi on põleti tagaosas.
- Kasuta peent traati põleti avade puhastamiseks. Kui põletid on vigastatud või väga roostes, vaheta vigane põleti uue vastu võimalikult kiiresti.
- Kontrolli ühtaegu, et ventiili düüs oleks puhas.

Kui põletid on heas korras, pane need tagasi oma kohale õigesse asendisse.

- V eendu, et põletit grilli tagasi paigaldades läheks ventiili düüs põleti gaasiavasse.
- Kinnita põleti grilli tulekasti külge kruviga.
- Pane soojusjaotusplaat ning grillimisrest ja -plaat oma kohtadele tagasi.

Põletite kasutamisest tulenev kulumine või nende roostetamine ei käi garantii alla.

### **Grilli säilitamine**

Kui grillimishooaeg on läbi ning paned grilli talveks hoiule, soorita vähemalt järgmised toimingud:

- Puhasta grill põhjalikult. Pese grilli osad nõudepesuharja ja seebiveega. Pese grilli tulekast ja kaas ka seestpoolt.
- Pane grill uuesti käima ja hoiu seda nii umbes 20 minutit põhjalikuks kuivatamiseks.
- Lase grillil jahtuda.
- Puhasta grillipuhastusharjaga grillimisrest ja -plaat.
- Määri resti ja grillimisplaati toiduõliga.
- Võta põletid lahti vastavalt juhendile.
- Kääri põletid, rest ja grillimisplaat, sooendusrest ning soojusjaotusplaadid

ajalehepaberisse nii, et õhk ligi pääseks, ning hoiu neid kuivas ja soojas siseruumis.

- Töötle grilli puitosad puiduõliga.
- Võta reduktor gaasiballoonist lahti.

Kui hoiad grilli väljas, muretse sellele kaitsekate, mida müüakse lisavarustusena. Korralik kate kaitseb grilli üleni ning püsib paigal ka kõva tuulega. Hoolitse selle eest, et õhk pääseks kaitsekatte alla. Grilli tuleb hoida vähemalt varikatuse all nii, et see ei jääks kunagi otse vihma või lume kätte. Hoolitse selle eest, et varikatusest kukkuv lumi grilli ei vigastaks.

Katuselt kukkunud lume või tuule tõttu ümbermineku tagajärjel tekkinud vigastused ei käi garantii alla.

### **Grilli siseruumides säilitatavad osad**

Järgmisi grilli osi peab üle talve säilitama kuivas siseruumis:

- Malmist grillimisrest ja grillimisplaat
- Sooendusrest
- Põletid
- Soojusjaotusplaadid

### **Gaasiballooni säilitamine**

Kui grill ei ole kasutusel, tuleb gaasiballoon sulgeda. Gaasiballooni tuleb säilitada väljas, hästi ventileeritavas kohas. Ära pane gaasiballooni hoiule garaaži, keldrisse, pööningule või kütteseadmete kõrvale.

## **GARANTII JA GARANTIIPROBLEEMIDE LAHENDAMINE**

### **Garantii**

Grillil ja selle osadel on kaheaastane tootmis- ja materjaligarantii. Hoiu ostutšekk alles, tee sellest koopia ning lisa käesolevale kasutusjuhendile garantiitunnistusena. Garantiiprobleemide lahendamisel tuleb ostukoht ja -kuupäev kindlalt tõendada.

Garantii ei kata osade normaalset kulumist, puitosade väändumist või lõhenemist, osade või pindade roostetamist, roostest tulenevaid kahjustusi, samuti seadme valest

kasutamisest või hoolduse tegematajätmisest johtuvaid vigu või jälgi.

Teraspindade värvimuutus, täppide tekkimine ja tumenemine on kasutamisel ja aja jooksul normaalne. Teraspindadele võib eriti niiskes ja soolases keskkonnas tekkida roostetäppe. Terasel hooldusainete juhenditekohane kasutamine on eriti tähtis. Need võimalikud roostetäpid ei takista seadme kasutamist ning on teraspindadel normaalne nähtus. Seega ei käi nende võimalik tekkimine osade pindadele garantii alla.

Kui tootel või selle osadel ilmneb garantiiajal vigu, võta otse kontakti grilli maaletoojaga. Maaletooja sooritab kõik garantiitoimingud. Vigase või puuduva osa asemele saadab maaletooja uue osa, kuid ei vastuta selle grillile paigaldamise eest. Ise kokkupandavate grillide puhul vastutab klient alati osa grillile paigaldamise eest vastavalt juhenditele. Nende juhiste täitmatajätmise puhul kaotab garantii kehtivuse ning kasutamine ei vasta toote tõendile.

Garantii ei kehti, kui toodet kasutatakse ärilistel toiduvalmistamis-, müügi- või rendieesmärkidel.

Järgmised grilli osad kuuluvad kasutamisel ning nende kasutamisest tulenev kulumine või roostetamine ei käi garantii alla:

- Malm- või roostevabast torust valmistatud põletid;
- Grillimisrestid ja -plaadid
- Soojendusrest
- Soojusjaotusplaadid

### **Garantiiasjade korraldamine**

Kui tootel või selle osal ilmneb garantiiajal viga või grilli osi jääb kokkupanekul puudu, võta kontakti grilli müügikohaga.

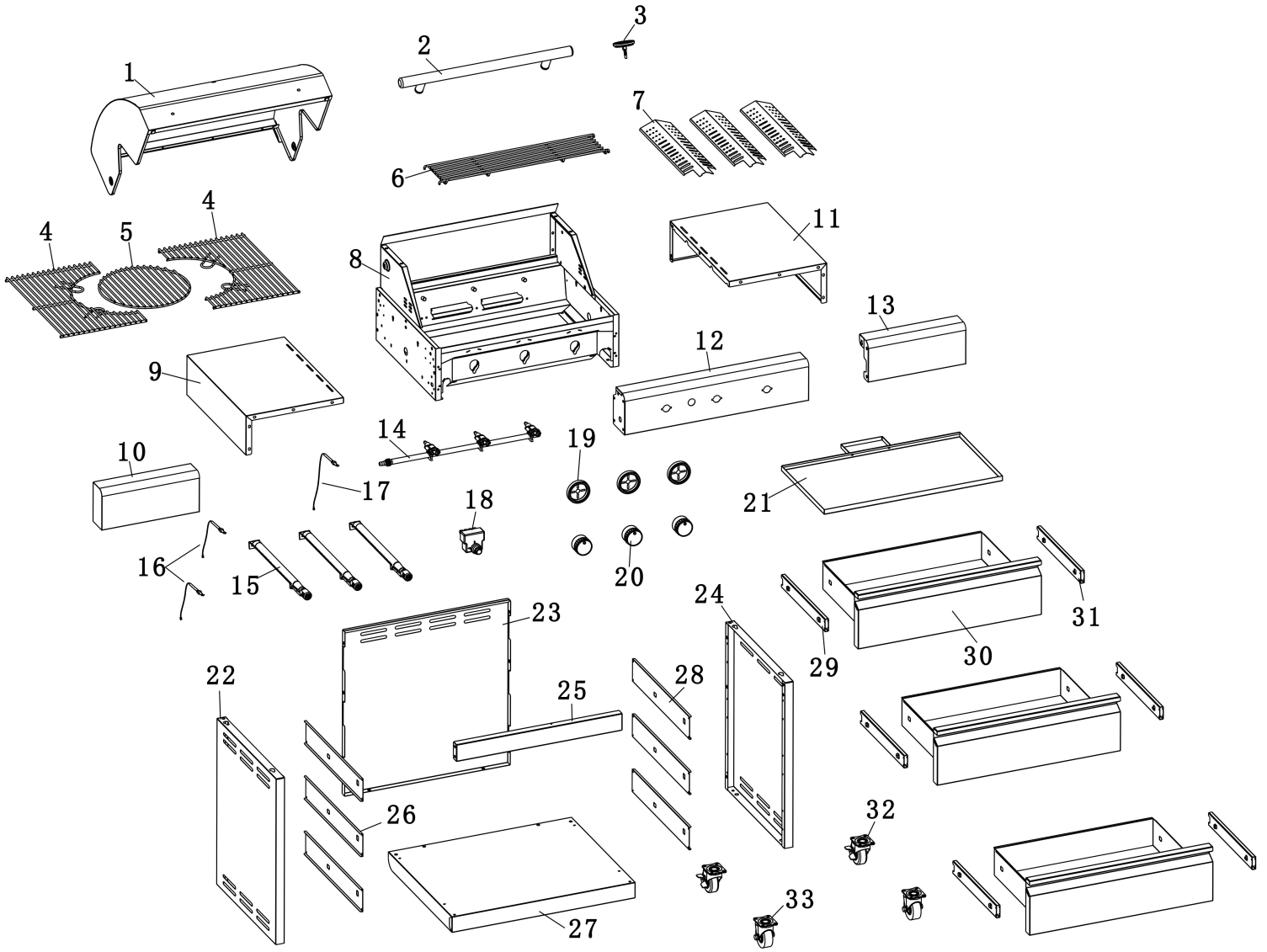
Enne garantiinõuete esitamist loe hoolikalt läbi kasutusjuhend ning kontrolli, et garantiinõue ei tuleneks kasutusjuhendite vastasest kasutamisest või hooldustoimingute tegematajätmisest.

Garantiinõudega seoses tuleb esitada grilli müügikohta järgmised andmed:


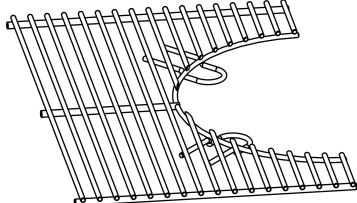
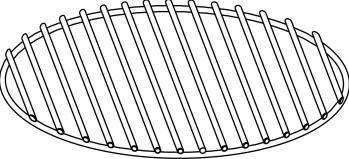
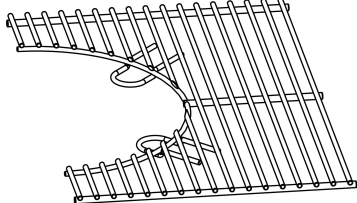
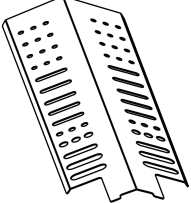
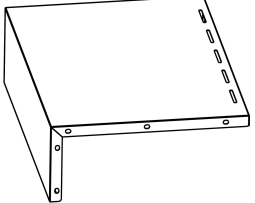
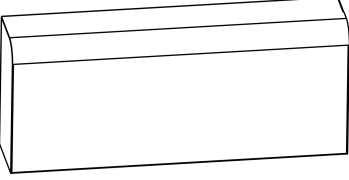

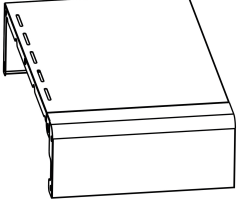
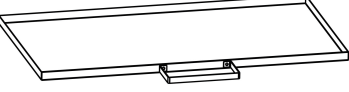
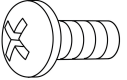
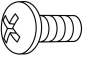
- Grilli mark ja mudel;
- Reklamatsiooni põhjus
- Vigase osa number vastavalt osade loetelule
- Ostutšeki koopia või selgitus müügikohast ning ostukuupäev;
- Kasutaja nimi, telefoninumber, aadress ja postiindeks.

## VEAOTSING

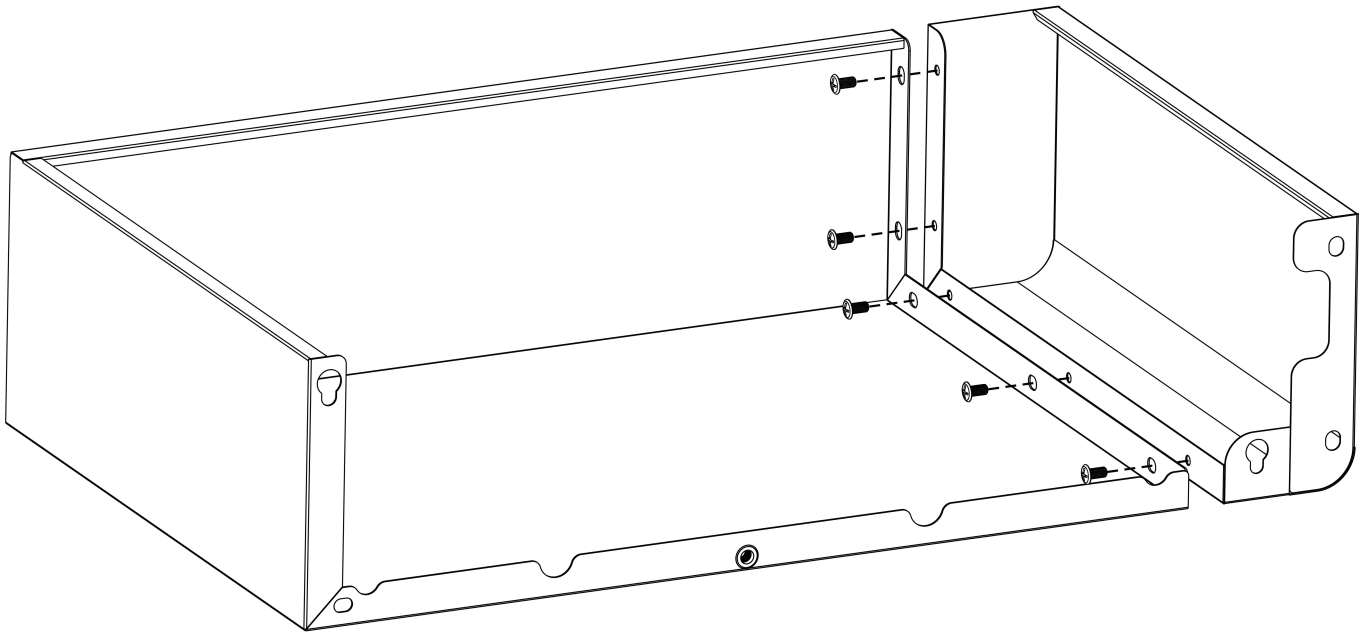
Probleem	Võimalikud põhjused	Lahendused
Põleti ei sütti tuletiku või süütajaga	<ul style="list-style-type: none"> <li>• Põleti avad on umbes</li> </ul>	<ul style="list-style-type: none"> <li>• Puhasta põleti avad</li> </ul>
Põletid ei anna piisavalt kuumust	<ul style="list-style-type: none"> <li>• Gaasiballooni ventiil on kinni</li> <li>• Põletid ei ole grilli ventiilide küljes korralikult kinni</li> <li>• Põletite õhuvõtt on umbes</li> <li>• Gaasi on liiga vähe või see on otsas</li> <li>• Reduktor ei ole gaasiballoonile korralikult kinnitatud</li> <li>• Gaasivool on takistatud</li> </ul>	<ul style="list-style-type: none"> <li>• Ava gaasiballooni ventiil</li> <li>• Kontrolli grilli põletite kinnitust ventiilidele</li> <li>• Puhasta põleti või vaheta uue vastu</li> <li>• Paigalda täidetud gaasiballoon</li> <li>• Kontrolli reduktori kinnitust gaasiballoonile</li> <li>• Sea gaasivoolik sirgeks</li> </ul>
Leek on kollane ja suitseb	<ul style="list-style-type: none"> <li>• Põleti õhuvõtuavad on umbes</li> <li>• Põleti pinnal on palju soola või marinaadi</li> </ul>	<ul style="list-style-type: none"> <li>• Puhasta õhuvõtuavad</li> <li>• Puhasta põletid</li> </ul>
Põleti süttib tuletikuga, kuid mitte süütajaga	<ul style="list-style-type: none"> <li>• Juhtme kontakt on halb</li> <li>• Süütaja või elektrood ei tööta</li> <li>• Halb maandus</li> <li>• Süütaja on rikkis</li> </ul>	<ul style="list-style-type: none"> <li>• Kontrolli, et ühendused oleksid korralikult pingutatud</li> <li>• Kontrolli, et põleti ja süütaja oleksid õigesti paigaldatud</li> <li>• Vaheta süütaja välja</li> </ul>
Leek kustub aeg-ajalt	<ul style="list-style-type: none"> <li>• Tugev tuul</li> <li>• Gaas on lõpukorral</li> </ul>	<ul style="list-style-type: none"> <li>• Vii grill tuulevarju</li> <li>• Paigalda täidetud gaasiballoon</li> </ul>
Liigselt kuumust ja ülemäärased leegid	<ul style="list-style-type: none"> <li>• Väga rasvane toit</li> <li>• Rasva äravool grillist on takistatud</li> <li>• Küpsetatav toode ei ole õiges kohas</li> </ul>	<ul style="list-style-type: none"> <li>• Eemalda rasvased kohad ja vähenda põleti võimsust</li> <li>• Puhasta rasvakogur ja põletid</li> <li>• Paiguta küpsetatav toode õigesse kohta</li> </ul>
Leegid võimsuse reguleerimiskonsooli all	<ul style="list-style-type: none"> <li>• Põleti ummistunud</li> <li>• Tugev tuul</li> </ul>	<ul style="list-style-type: none"> <li>• Sulge viivitamatult gaasiballooni kraan, lase grillil jahtuda ja puhasta põletid</li> </ul>
Reduktor suriseb	<ul style="list-style-type: none"> <li>• See ei ole viga või ohuolukord</li> </ul>	<ul style="list-style-type: none"> <li>• Mõõduv nähtus, mis tuleneb välisõhu kõrgest temperatuurist ja täis gaasiballoonist</li> </ul>
Ebapiisav leek	<ul style="list-style-type: none"> <li>• Leek põleb tugevalt kollasena</li> </ul>	<ul style="list-style-type: none"> <li>• Puhasta grilli põleti või vaheta uue vastu ning kontrolli põleti ummistusi</li> </ul>
Leek on liiga suur	<ul style="list-style-type: none"> <li>• Kasutusel on vale reduktor</li> </ul>	<ul style="list-style-type: none"> <li>• Paigalda 30 mbar reduktor</li> </ul>

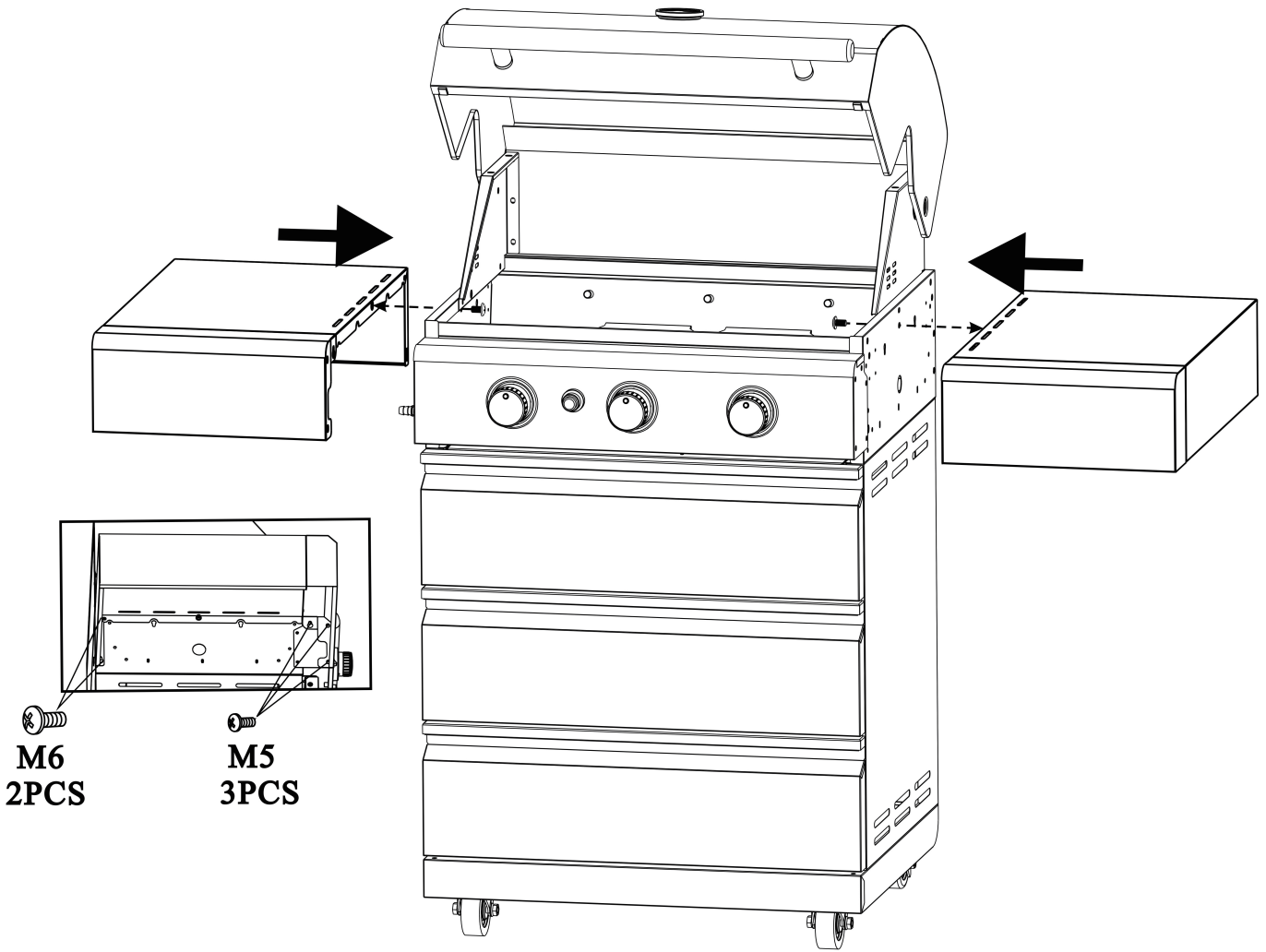


## Part List

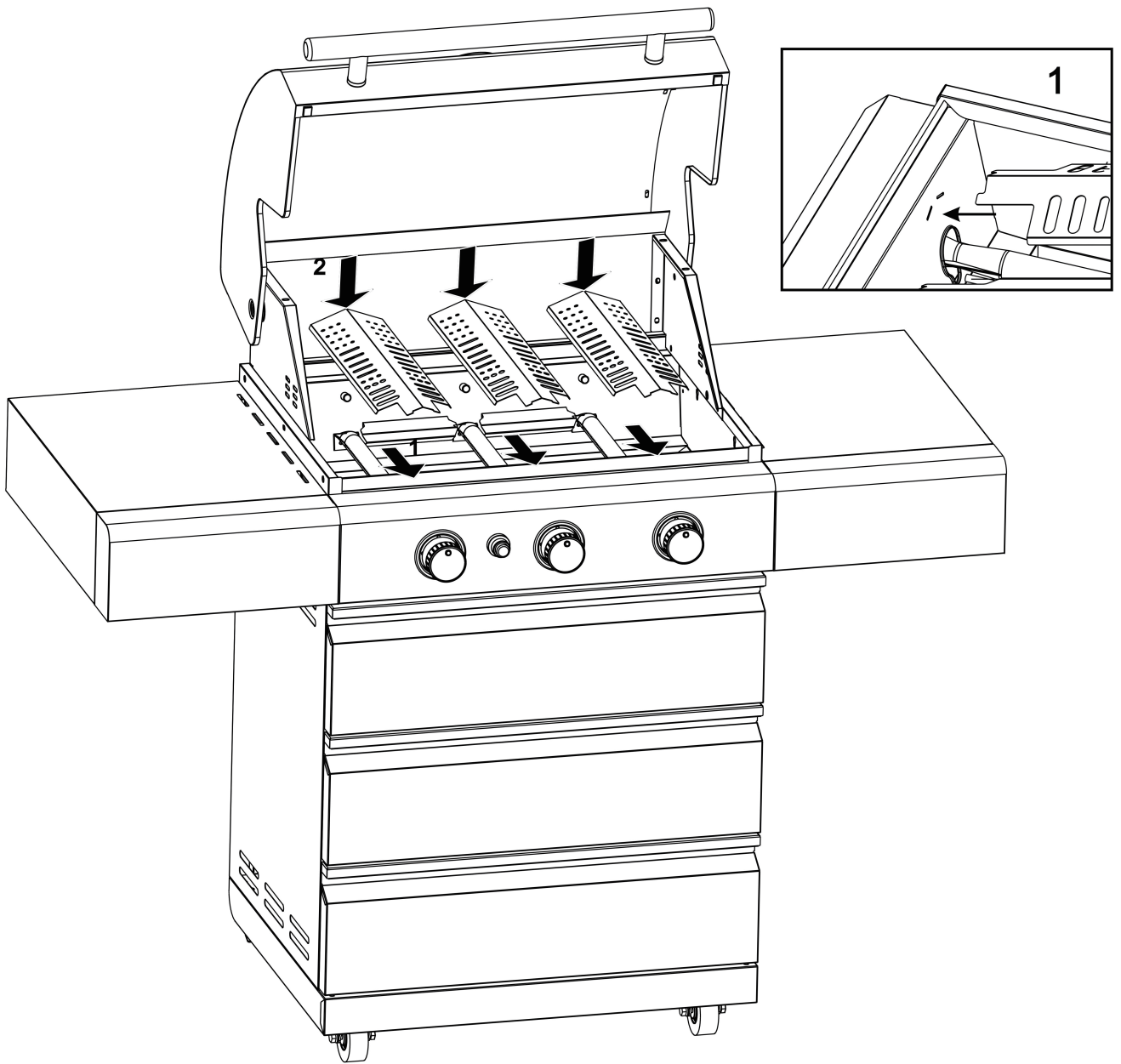
NO	DESCRIPTION	QTY	NO	DESCRIPTION	QTY
1		1	2		1
3		1	4		1
5		3	6		1
7		1	8		1
9		1	10		1
11	 M6	6	12	 M5	11

 M5 5PCS

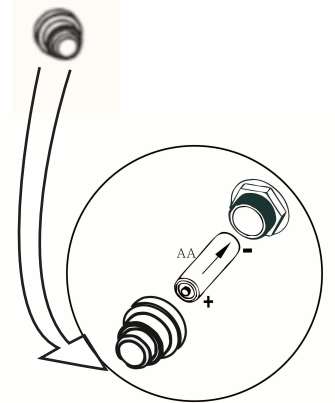
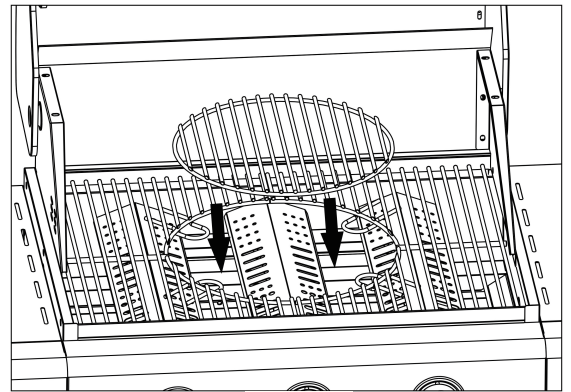
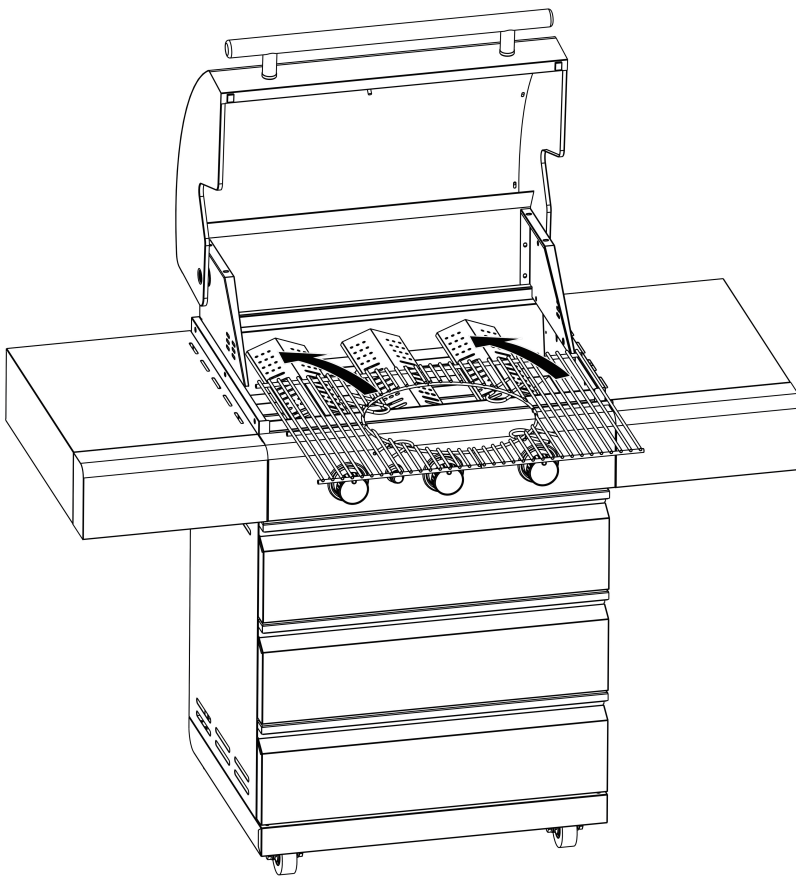




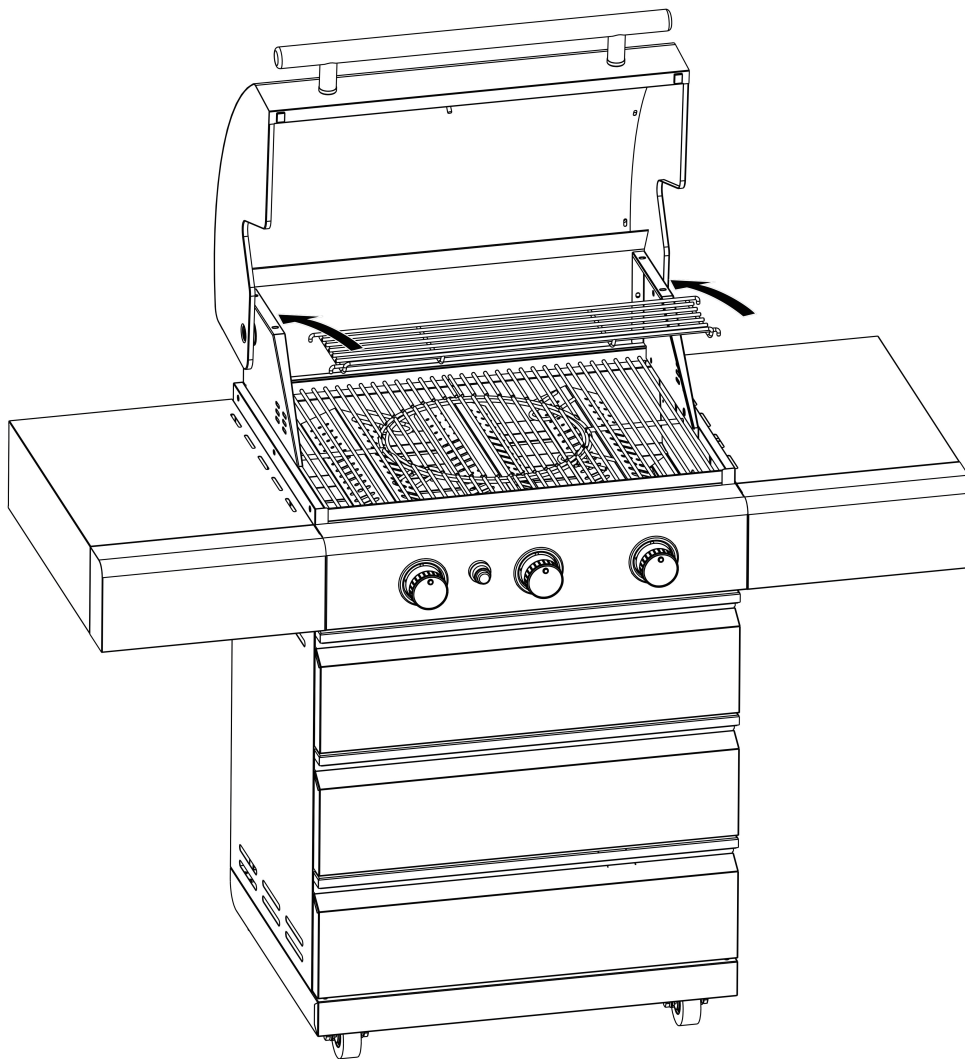




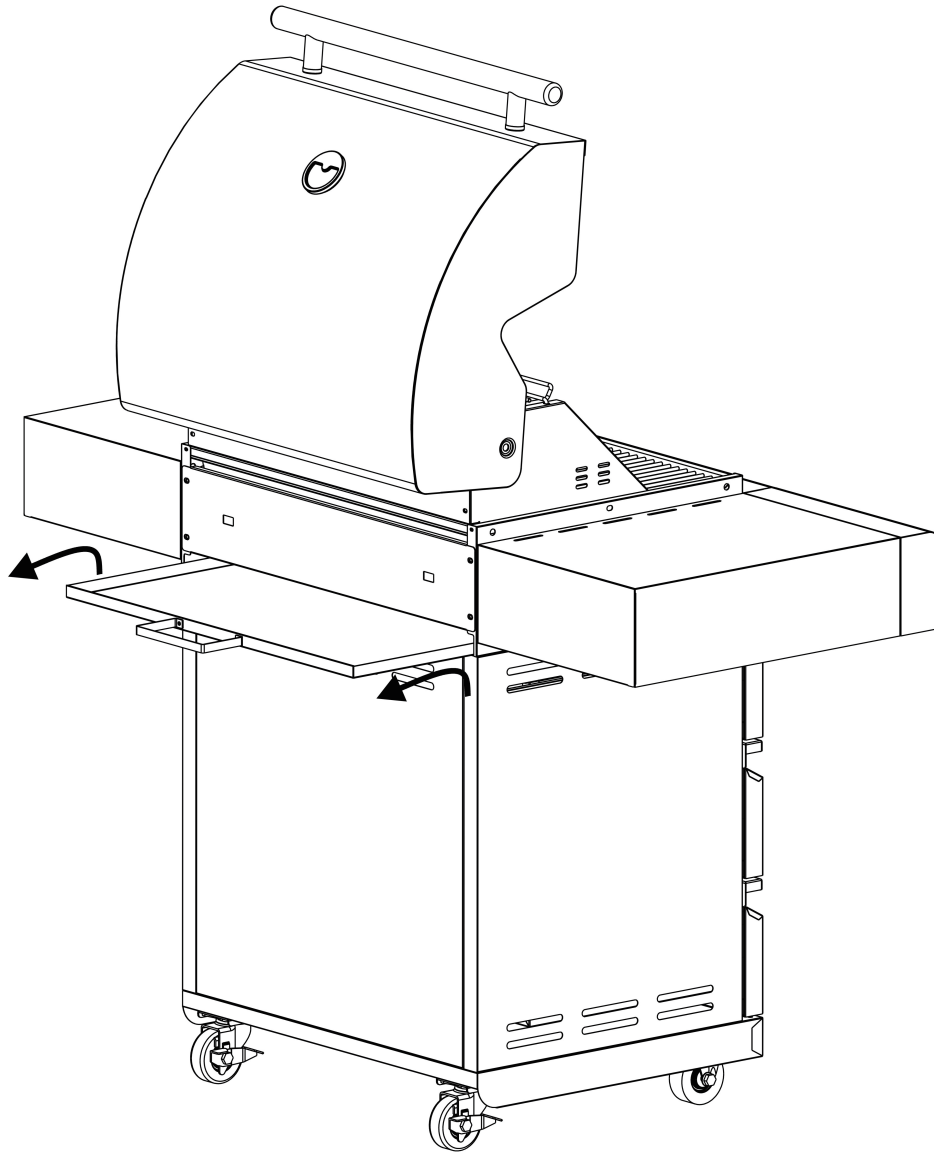
**CELLO**



AA-SIZE BATTERY NOT INCLUDED PACKAGE!



**CELLO**



 Manufacturer • Valmistaja • Tillverkare • Produsent • Tootja • Ražotājs •  
Gamintojas • Kesko Corporation Building and technical trade, Työpajankatu  
12, FI- 00580 Helsinki © Kesko 2019. Made in China.

**CELLO**