

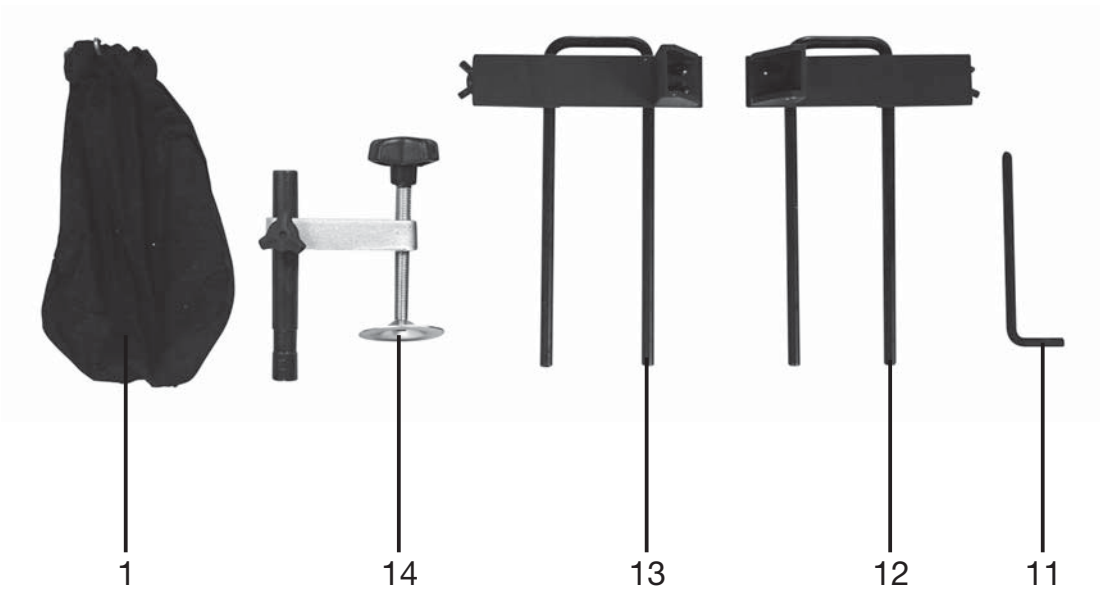
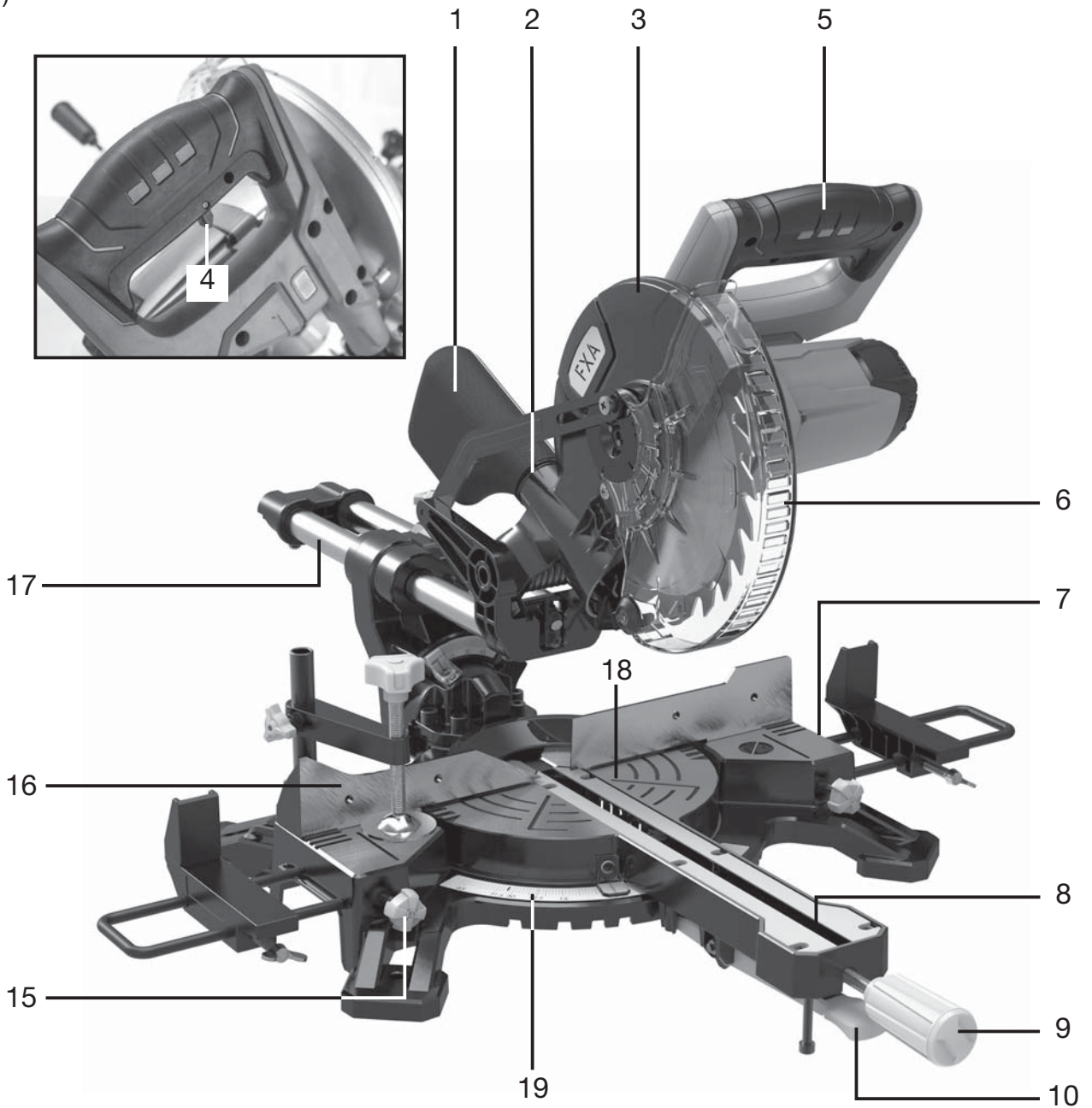
FXA



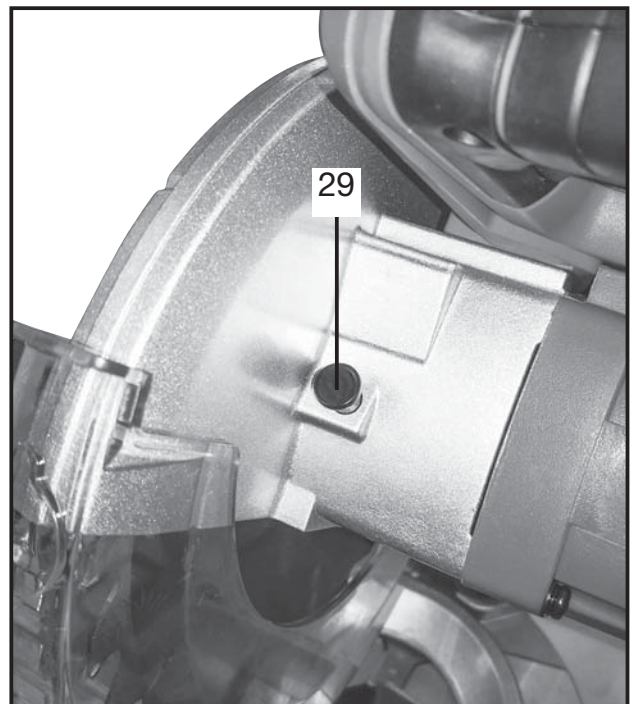
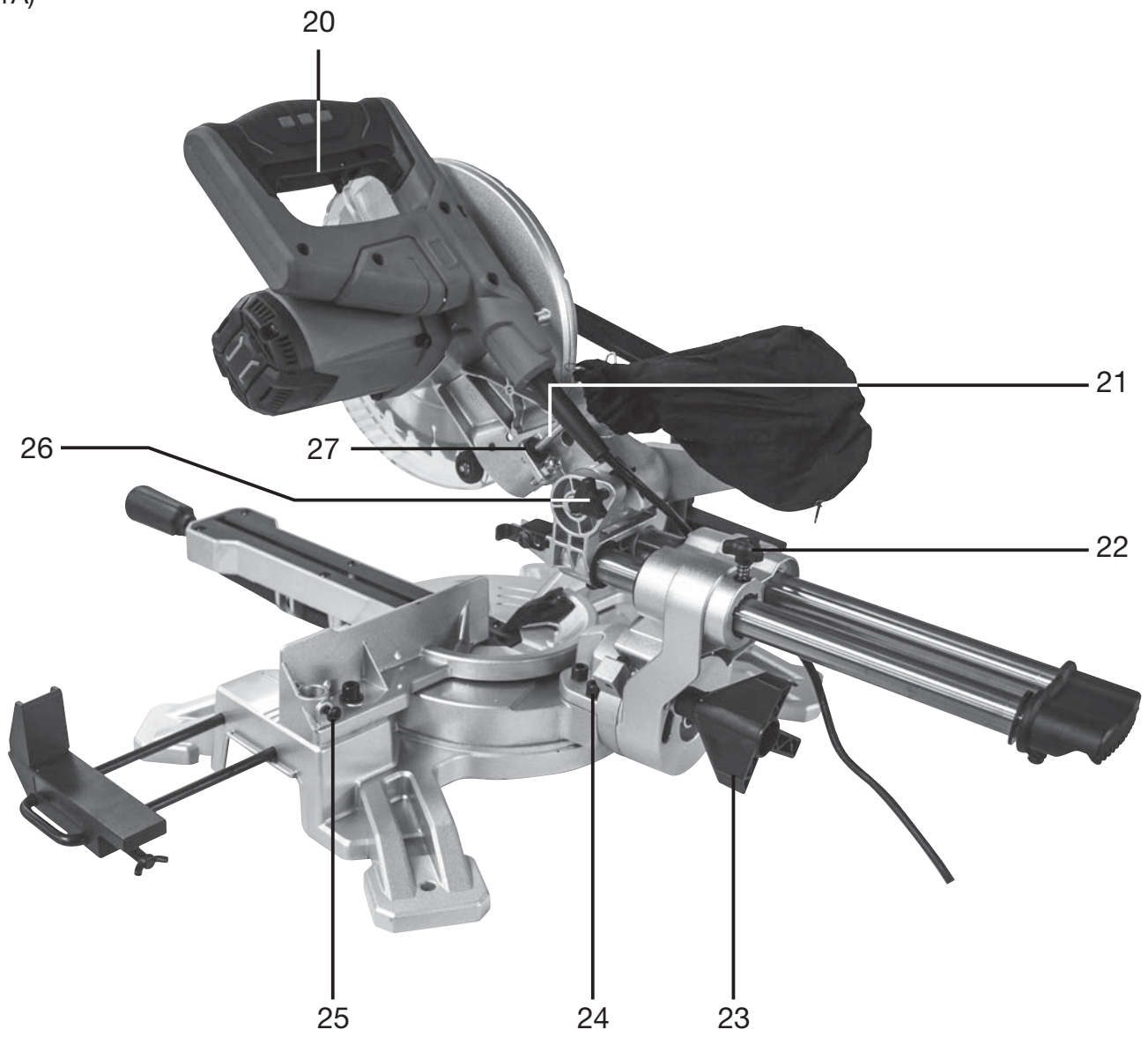
FXAJ1G-ZP8B-210C

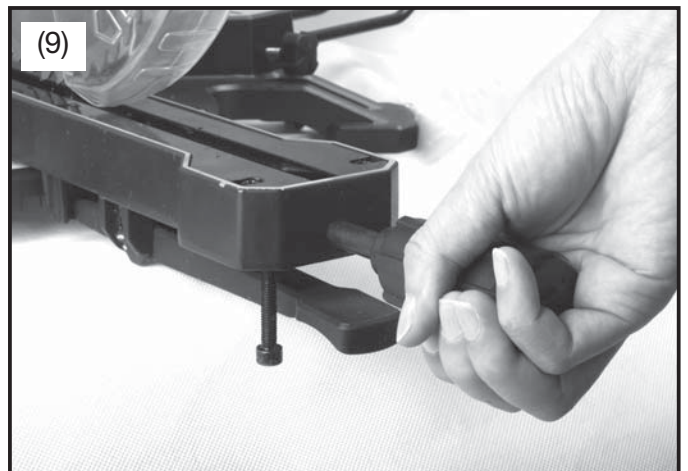
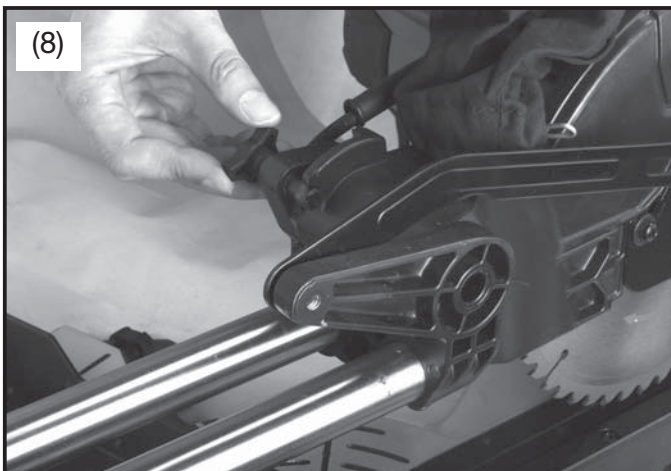
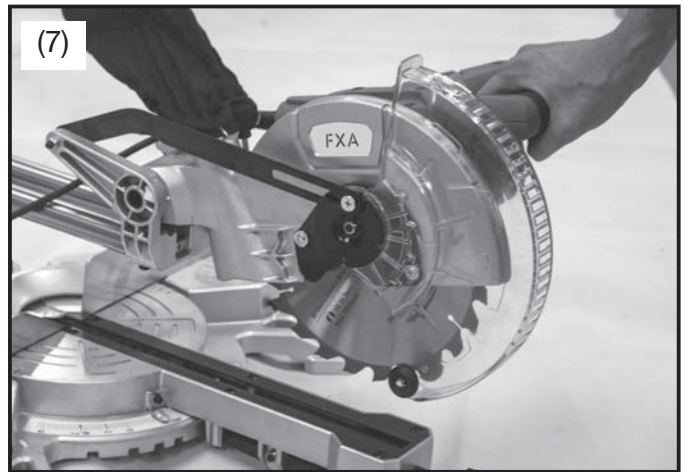
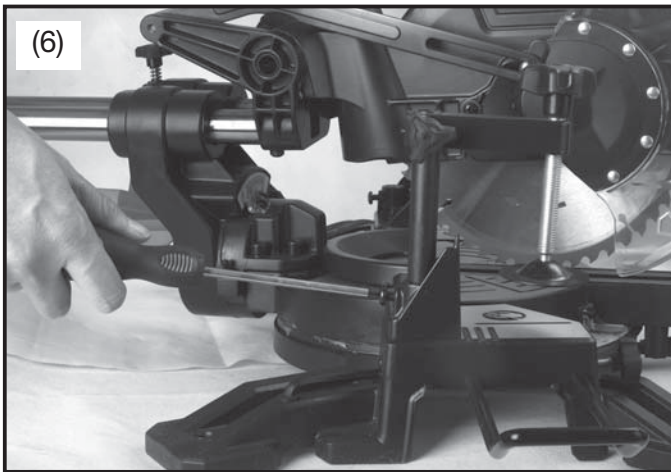
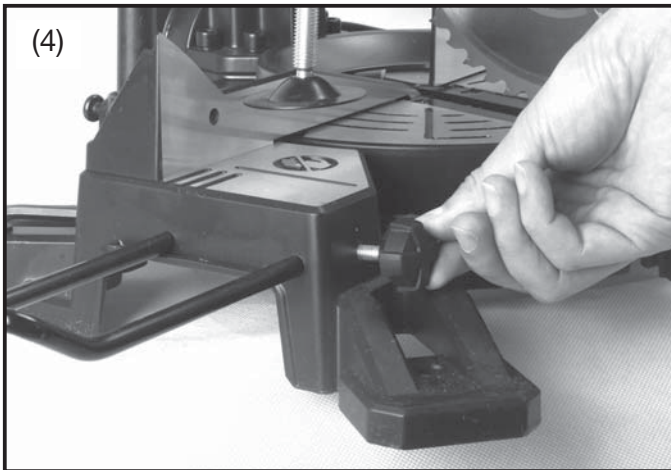
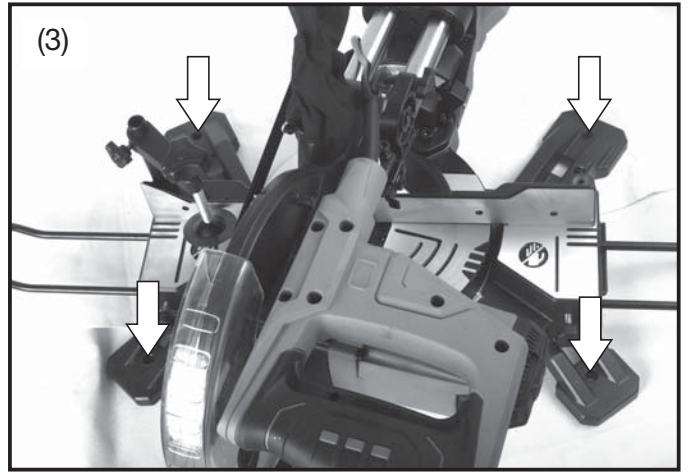
Instruction manual (Original instructions)	GB	pg 8-18
Käyttöohje (Alkuperäisten ohjeiden käännös)	FI	pg 19-28
Bruksanvisning (Översättning av originalinstruktionerna)	SE	pg 29-38
Bruksanvisning (Oversettelse av de opprinnelige instruksjonene)	NO	pg 39-48
Kasutusjuhend (Tõlgitud originaaljuhendist)	EE	pg 49-58
Instrukcijas (Tulkojums no oriģinālvalodas)	LV	pg 59-68
Naudojimo instrukcijos (Originalios instrukcijos vertimas)	LT	pg 69-78

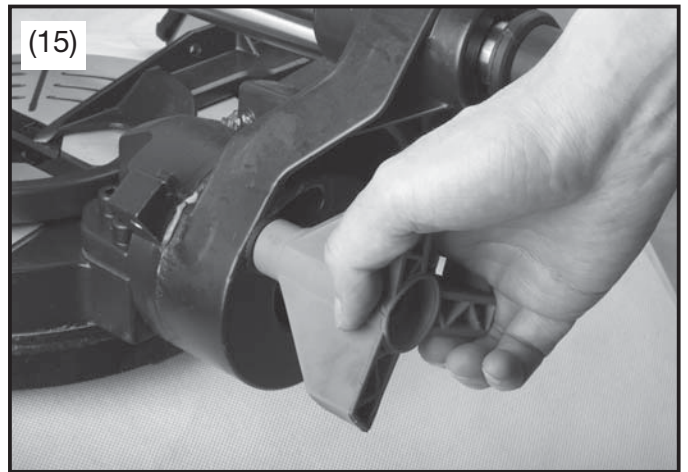
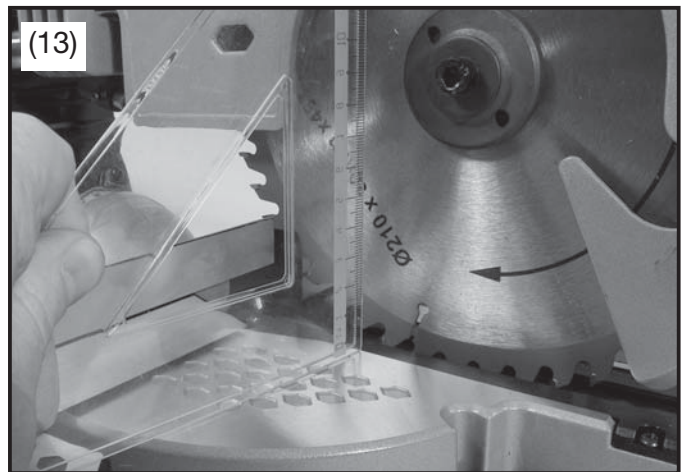
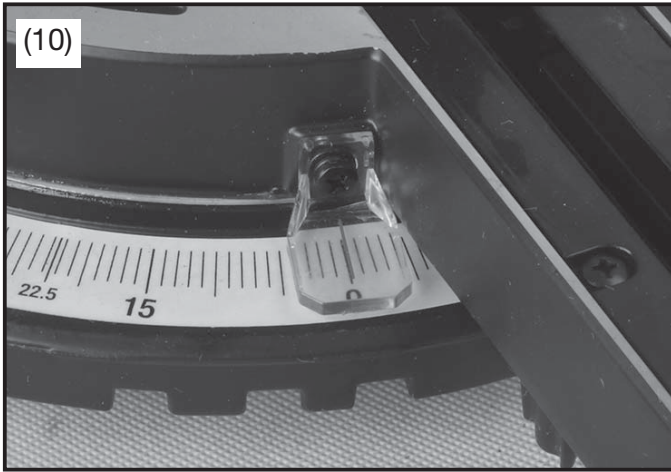
(1)

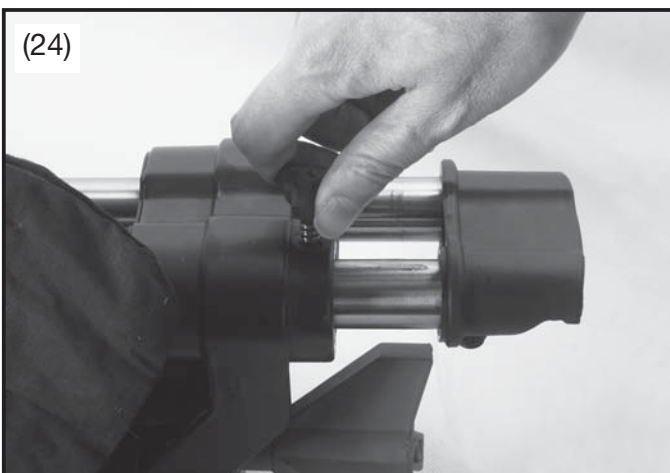
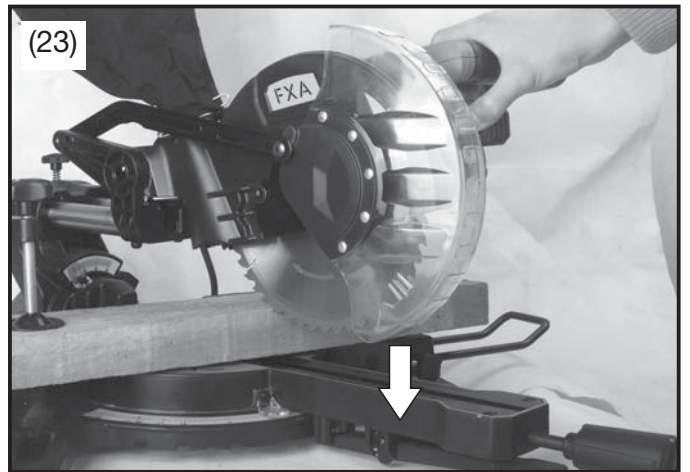
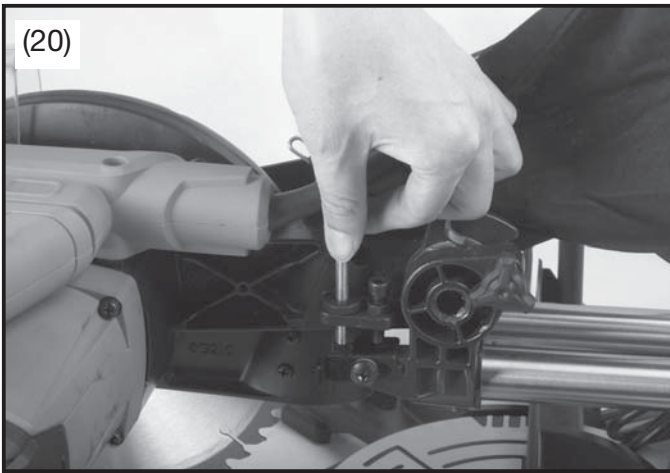
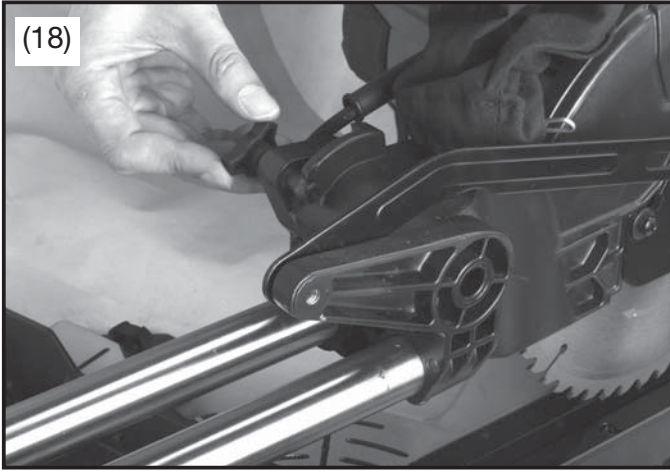


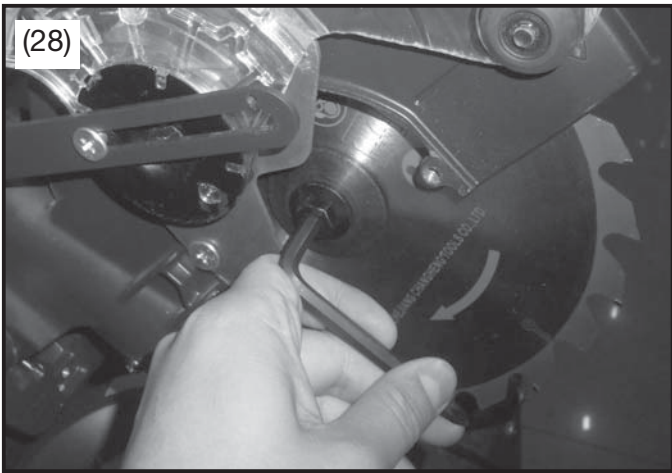
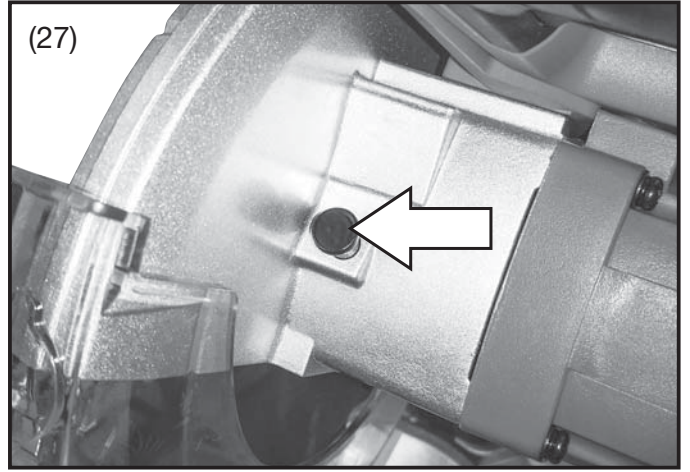
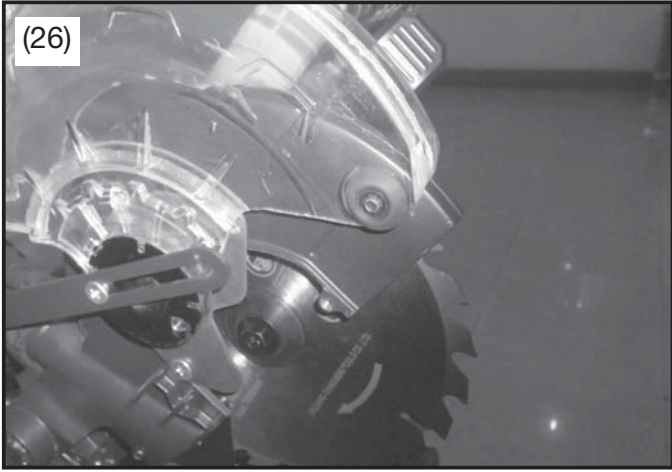
(1A)











IMPORTANT!	Read all safety warnings, instructions, illustrations and specifications provided with this power tool.
TÄRKEÄÄ!	Lue tarkkaavaisesti kaikki tämän työkalun kanssa toimitetut varoitukset, ohjeet ja spesifikaatiot, ja katso lisäksi kuvat.
VIKTIGT!	Läs uppmärksamt alla varningar, instruktioner och specifikationer som bifogas med detta verktyg och studera bilderna.
VIKTIG!	Les nøye gjennom alle advarslene, instruksene og spesifikasjonene som følger med verktøyet, og se på tegningene.
TÄHTIS!	Lugege läbi kõik elektrilise tööriista kohta esitatud ohuhoiatused ning tutvuge tööriista jooniste ja tehniliste andmetega.
SVARĪGI!	Izlasiet visus drošības brīdinājumus, instrukcijas, specifikācijas un apskatiet attēlus šī elektroinstrumenta dokumentācijā.
SVARBU!	Perskaitykite visus saugos įspėjimus, visas instrukcijas, paveikslėlius ir techninius reikalavimus, pateikiamus su šiuo elektriniu įrankiu.
WAŻNE!	Prosimy przeczytać wszystkie dotyczące narzędzia ostrzeżenia i instrukcje oraz przestudiować ilustracje i specyfikację.

INTRODUCTION

Thankyou for purchasing this product which has passed through our extensive quality assurance process. Every care has been taken to ensure that it reaches you in perfect condition.

SAFETY FIRST

Before attempting to operate this power tool the following basic safety precautions should always be taken to reduce the risk of fire, electric shock and personal injury. It is important to read the instruction manual to understand the application, limitations and potential hazards associated with this tool.

CERTIFICATE OF GUARANTEE

This product is guaranteed for a period of 2 Years, with effect from the date of purchase and applies only to the original purchaser. This guarantee only applies to defects arising from, defective materials and or faulty workmanship that become evident during the guarantee period only and does not include consumable items. The manufacturer will repair or replace the product at their discretion subject to the following. That the product has been used in accordance with the guide lines as detailed in the product manual and that it has not been subjected to misuse, abuse or used for a purpose for which it was not intended. That it has not been taken apart or tampered with in any way whatsoever or has been serviced by unauthorised persons or has been used for hire purposes. Transit damage is excluded from this guarantee, for such damage the transport company is responsible. Claims made under this guarantee must be made in the first instance, directly to the retailer within the guarantee period. Only under exceptional circumstances should the product be returned to the manufacturer. In these case it shall be the consumer's responsibility to return the product at their cost ensuring that the product is adequately packed to prevent transit damage and must be accompanied with a brief description of the fault and a copy of the receipt or other proof of purchase. The manufacturer shall not be liable for any special, exemplary, direct, indirect, incidental, or consequential loss or damage under this guarantee. This guarantee is in addition to and does not affect any rights, which the consumer may have by virtue of the Sale of Goods Act 1973 as amended 1975 and 1999.

The power tool is intended for domestic use only. The power tool is not suitable and is not intended for commercial or professional use.

The warranty does not cover defects and damage to power tools resulting from use for purposes other than domestic use, in particular as a result of pushing through and abuse.

"Warranty is voided in case the tool is damaged due to one of the conditions below:

1. Misuse of product or negligence of proper maintenance of product,
2. Commercial, professional or rental use of product,

3. Repair done by an unauthorized service company.
4. Damages caused by external objects or substances."

STATUTORY RIGHTS

This guarantee is in addition to and in no way affects your statutory rights.

PRODUCT DISPOSAL

When this product reaches the end of it's life or is disposed of for any other reason, it must not be disposed of in household waste. In order to preserve natural resources, and to minimise adverse environmental impact, please recycle or dispose of this product in an environmentally friendly way. It should be taken to your local waste recycling centre or other authorised collection and disposal facility.

If in doubt consult your local waste authority for information regarding available recycling and / or disposal options.

SPECIFIC SAFETY INSTRUCTIONS

Read all these instructions before attempting to operate this product and save these instructions.

BLADE SAFETY

WARNING: Rotating Saw Blades are extremely dangerous and can cause serious injury and amputation. Always keep fingers and hands at least 150mm (6") away from the blade at all times. Never attempt to retrieve sawn material until the cutting head is in the raised position, the guard is fully closed and the saw blade has stopped rotating. Only use saw blades that are recommended by the manufacturer and that comply with the requirements of EN 847-1

Do Not use saw blades that are damaged or deformed as they could shatter and cause serious injury to the operator or bystanders.

Do Not use saw blades that are manufactured from high speed steel (HSS).

Do not stop the blade by forcing the machine or by using sideways pressure.

Do not use blades that are deformed or have missing teeth. This is highly dangerous and could result in a serious accident to the operator and bystanders as well as damaging the machine.

Do not use blades that are larger than specified, only use blades that are rated for the machine. The rotational speed (min^{-1}) shown on the blade should always be HIGHER than the rotational speed (min^{-1}) of the machine.

Ensure that the directional arrow marked on the blade corresponds with the rotational direction of the motor. The teeth of the blade should always point downward as viewed from the front of the saw.

If the table insert becomes damaged or worn it must be replaced with an identical one available from the manufacturer as detailed in this manual.

PERSONAL PROTECTIVE EQUIPMENT (PPE)

Hearing protection should be worn in order to reduce the risk of induced hearing loss.

Eye protection should be worn in order to prevent the possibility of the loss of sight from ejected chippings.

Respiratory protection is also advised as some wood and wood type products especially MDF (Medium Density Fibreboard) can produce dust that can be hazardous to your health. We recommend the use of an approved face mask with replaceable filters when using this machine in addition to using the dust extraction facility.

Gloves should be worn when handling blades or rough material. It is recommended that saw blades should be carried in a holder wherever practical.

It is not advisable to wear gloves when operating the mitre saw.

SAFE OPERATION

Always ensure that you have selected the correct saw blade for the material being cut. Do not use this mitre saw to cut materials other than those specified below:

Wood

Wood derived products (MDF, Chipboard, Plywood, Blockboard, Hardboard etc)

Aluminium

Mild Steel (6mm / 1/4" Thickness)

When transporting a mitre saw ensure that the cutting head is locked in the 90° down position (if a sliding mitre saw ensure that the slide bars are locked). Lift the machine by gripping the outer edges of the base with both hands (if a sliding mitre saw, transport using the handles provided).

Under no circumstances shall the machine be lifted or transported using the retractable guard or any part of its operating mechanism.

Keep Guards in place and in good working order. With the machine disconnected from the mains supply check the operation of the guard to ensure that it operates correctly.

Lower the saw head so that the blade is in its lowest position, carefully rotate the blade by hand to ensure that it is free from obstruction.

Repeat this procedure at all maximum mitre and bevel positions before commencing operation of the Mitre Saw.

Keep the work bench and floor area clear of all debris including sawdust, chips and off-cuts.

Always keep the blade securing arbor and collars clean.

Where it is necessary to use spacer or reducing rings these must be suitable for the intended purpose and only as recommended by the manufacturer.

If the mitre saw is fitted with a laser it shall not be replaced with a different type. If the laser fails to operate it shall be repaired or replaced by an authorised service agent.

Whenever replacing blades ensure that the recessed surface of the blade collar fits snugly against the surface of the blade.

Ensure that the blade securing bolt is securely tightened using the wrenches provided. Do not over tighten.

Never attempt to retrieve off-cuts or any other part of the work piece until the cutting head is in the raised position, the guard is fully closed and the saw blade has stopped rotating.

Wherever practicable always secure the work piece to the saw table using the work clamp provided.

Always ensure that before each cut the mitre saw is mounted in a stable position.

When cutting long work pieces use saw horses or work benches to support the work piece, ensure that all securing clamps are tight and check for excessive play.

WARNING: the operation of any mitre saw can result in foreign objects being thrown towards your eyes, which could result in severe eye damage. Before beginning power tool operation, always wear safety goggles or safety glasses with side shield or a full face shield when needed.

WARNING: If any parts are missing, do not operate your mitre saw until the missing parts are replaced. Failure to follow this rule could result in serious personal injury.

ADDITIONAL SAFETY INSTRUCTIONS

Some wood and wood type products, especially MDF, (Medium Density Fibreboard) can produce dust that can be hazardous to your health. We recommend the use of an approved face mask with replaceable filters when using this machine in addition to using the dust extraction facility. Ensure that power tools are disconnected from the mains supply when not in use, before servicing, lubricating or making adjustments and when changing accessories such as blades.

Before commencing any cut allow the blade to reach its full speed, let it run for a few seconds. If any unusual noise or vibration is heard STOP the machine immediately, and investigate the cause.

Never try to cut free hand. Always ensure that the work piece is securely pressed against the back fence and table support surface.

Ensure that the work piece that is being cut off has sufficient room to move sideways. Failure to do so may result in the off cut binding against the blade.

If the work piece cannot be held securely by hand then use the jig or clamp to hold it in place whilst it is being cut.

Ensure that irregular or round pieces are held securely so that they are unable to move or twist and pinch the blade.

Never cut more than one piece at a time.

Never cut pieces that are too small to be held securely against the back fence with the thumb and index finger.

Use only blades that are recommended by the manufacturer.

Do not start the machine with the blade in contact with the work piece.

Check the work piece for any protruding nails, screw heads or anything that could damage the blade.

Do not attempt to modify the machine or its accessories in any way.

Do not use excessive force when feeding the work piece to the blade.

Feeding the work piece gradually will reduce wear on the machine and blade increasing its efficiency and operating life.

Do not use the saw without guards in position.

Replace table insert when worn.

Do not use the saw to cut material other than aluminum, wood or similar materials.

Connect mitre saws to a dust collecting device when sawing.

Select saw blades in relation to the material to be cut.

Take care when slotting.

WARNING! DO NOT ATTEMPT TO CUT MATERIAL LARGER THAN THE MAXIMUM CUTTING CAPACITY.

ADDITIONAL SAFETY ADVICE CARRYING YOUR MITRE SAW

Although compact, this Mitre Saw is heavy. To reduce the risk of back injury, get competent help whenever you have to lift the saw.

To reduce the risk of back injury, hold the tool close to your body when lifting. Bending your knees so you can lift with your legs, not your back. Lift by using the handheld areas at each side of the machines base.

Never carry the Mitre Saw by the power cord. Carrying the Mitre Saw by the power cord could cause damage to the insulation or the wire connections resulting in electric shock or fire.

Before moving the Mitre Saw tighten the mitre and bevel locking screws and the sliding carriage locking screw to guard against sudden unexpected movement.

Lock the Cutting Head in its lowest position. Ensure that the Cutting Head Locking Pin is completely engaged in its socket.

WARNING: Do not use the blade guard as a 'lifting point'. The power cord must be removed from the power supply before attempting to move the machine.

SAFETY RULES FOR LASER LIGHTS

The laser light/laser radiation used is Class 2 with maximum 1mW power and 650nm wavelength.

These lasers do not normally present an optical hazard, although staring at the beam may cause flash blindness.

WARNING. Do not stare directly at the laser beam. A hazard may exist if you deliberately stare into the beam, please observe all safety rules as follows:

The laser shall be used and maintained in accordance with the manufacturer's instructions.

Never aim the beam at any person or an object other than the workpiece.

The laser beam shall not be deliberately aimed at personnel and shall be prevented from being directed towards the eye of a person for longer than 0.25s.

Always ensure the laser beam is aimed at a sturdy workpiece without reflective surfaces. I.e. wood or rough coated surfaces are acceptable.

Bright shiny reflective sheet steel or the like is not suitable for laser use as the reflective surface could direct the beam back at the operator.

Do not change the laser light assembly with a different type. Repairs must be carried out by the laser manufacturer or an authorised agent.

GENERAL SAFETY RULES

WARNING! Read all instructions Failure to follow all instructions listed below may result in electric shock, fire and/or serious injury. The term "power tool" in all of the warnings listed below refers to your mains operated (corded) power tool or battery operated (cordless) power tool.

SAVE THESE INSTRUCTIONS

1) WORK AREA

- a) Keep work area clean and well lit. Cluttered and dark areas invite accidents.
- b) Do not operate power tools in explosive atmospheres, such as in the presence of flammable liquids, gases or dust. Power tools create sparks which may ignite the dust or fumes.
- c) Keep children and bystanders away while operating a power tool. Distractions can cause you to lose control.

2) ELECTRICAL SAFETY

- a) Power tool plugs must match the outlet. Never modify the plug in any way. Do not use any adapter plugs with earthed (grounded) power tools. Unmodified plugs and matching outlets will reduce risk of electric shock.
- b) Avoid body contact with earthed or grounded surfaces such as pipes, radiators, ranges and refrigerators. There is an increased risk of electric shock if your body is earthed or grounded.
- c) Do not expose power tools to rain or wet conditions. Water entering a power tool will increase the risk of electric shock.
- d) Do not abuse the cord. Never use the cord for carrying, pulling or unplugging the power tool. Keep cord away from heat, oil, sharp edges or moving parts. Damaged or entangled cords increase the risk of electric shock.
- e) When operating a power tool outdoors, use an extension cord suitable for outdoor use. Use of a cord suitable for outdoor use reduces the risk of electric shock.

3) PERSONAL SAFETY

- a) Stay alert, watch what you are doing and use common sense when operating a power tool. Do not use a power tool while you are tired or under the influence of drugs, alcohol or medication. A moment of inattention while operating power tools may result in serious personal injury.
- b) Use safety equipment. Always wear eye protection. Safety equipment such as dust mask, non-skid safety shoes, hard hat, or hearing protection used for appropriate conditions will reduce personal injuries.
- c) Avoid accidental starting. Ensure the switch is in the off position before plugging in. Carrying power tools with your finger on the switch or plugging in power tools that have the switch on invites accidents.
- d) Remove any adjusting key or wrench before turning the power tool on. A wrench or a key left attached to a rotating part of the power tool may result in personal injury.
- e) Do not overreach. Keep proper footing and balance at all times. This enables better control of the power tool in unexpected situations.
- f) Dress properly. Do not wear loose clothing or jewellery. Keep your hair, clothing and gloves away from moving parts. Loose clothes, jewellery or long hair can be caught in moving parts.
- g) If devices are provided for the connection of dust extraction and collection facilities, ensure these are connected and properly used. Use of these devices can reduce dust related hazards.

4) POWER TOOL USE AND CARE

- a) Do not force the power tool. Use the correct power tool for your application. The correct power tool will do the job better and safer at the rate for which it was designed.
- b) Do not use the power tool if the switch does not turn it on and off. Any power tool that cannot be controlled with the switch is dangerous and must be repaired.
- c) Disconnect the plug from the power source before making any adjustments, changing accessories, or storing power tools. Such preventive safety measures reduce the risk of starting the power tool accidentally.
- d) Store idle power tools out of the reach of children and do not allow persons unfamiliar with the power tool or these instructions to operate the power tool. Power tools are dangerous in the hands of untrained users.
- e) Maintain power tools. Check for misalignment or binding of moving parts, breakage of parts and any other condition that may affect the power tools operation. If damaged, have the power tool repaired before use. Many accidents are caused by poorly maintained power tools.
- f) Keep cutting tools sharp and clean. Properly maintained cutting tools with sharp cutting edges are less likely to bind and are easier to control.
- g) Use the power tool, accessories and tool bits etc., in accordance with these instructions and in the manner intended for the particular type of power tool, taking into account the working conditions and the work to be performed. Use of the power tool for operations different from intended could result in a hazardous situation.

5) SERVICE

- a) Have your power tool serviced by a qualified repair person using only identical replacement parts. This will ensure that the safety of the power tool is maintained.

COMPONENTS & CONTROLS (FIG 1 & 1A)

1. Dust bag
2. Dust extraction port
3. Upper fixed blade guard
4. Lock-off lever
5. Operating handle
6. Rotating blade guard
7. Side support bar location holes (2 sets)
8. Table insert (kerf plate)
9. Mitre lock handle
10. Mitre lock release latch
11. 6mm Allen key
12. Side extension arm (left)
13. Side extension arm (right)
14. Clamp assembly
15. Side support bar locking screw
16. Table fence
17. Slide bars
18. Mitre table
19. Mitre scale
20. On/off trigger switch
21. Trenching depth adjustment screw
22. Slide lock knob
23. Bevel lock
24. 0° Bevel adjustment screw
25. Clamp assembly lock screw (x 2)
26. Release knob
27. Trenching depth lock nut
28. Bevel scale
29. Spindle lock button

UNPACKING

Caution! This packaging contains sharp objects. Take care when unpacking. Remove the machine, together with the accessories supplied, from the packaging. Check carefully to ensure that the machine is in good condition and account for all the accessories listed in this manual. Also make sure that all the accessories are complete. If any parts are found to be missing, the machine and its accessories should be returned together in their original packaging to the retailer.

Do not throw the packaging away, keep it safe throughout the guarantee period, then recycle if

possible, otherwise dispose of it by the proper means. Do not let children play with empty plastic bags due to the risk of suffocation.

ACCESSORIES

Only fit genuine replacement parts which comply with the speed and fit of the power tool.

The FXAJ1G-ZP8B-210C comes with the following accessories:

- 48 Teeth blade (fitted)
- Dust bag
- Work clamp
- Side extension arms (x 2)
- 6mm saw blade allen key

ASSEMBLY

Note: Before carrying out any assembly or disassembly of the unit please ensure that the unit is not connected to the electrical supply.

TRANSPORTATION (FIG.2)

Lift the mitre saw only when the saw arm is locked in the down position, the saw is switched off and the plug is removed from the power socket. You must only lift the saw by the castings. Do not lift the saw using the guards.

BENCH MOUNTING (FIG.3)

The saw base has 4 mounting holes to facilitate bench mounting. Attach the saw to a level, horizontal bench or work table using bolts (not supplied) through the fixing holes in the saw base.

NOTE. If desired, you can mount the saw to a piece of 8 mm or thicker plywood which can then be clamped to your work support or moved to other job sites and reclamped.

CAUTION. Make sure that the mounting surface is not warped as an uneven surface can cause binding and inaccurate sawing.

SIDE EXTENSION ARMS (FIG.4)

Slide the supports into the holes in the side of base casting. Tighten the side support bar locking screw to secure the side extension arms in place, (Fig.4).

NOTE: The side support bar locking screw must be securely tightened before placing the workpiece on the saw.

DUST BAG (FIG.5)

The dust bag fits onto the dust extractor port. Squeeze the two metal tabs on the end of the dust extraction bag to allow it to slide over the dust extractor port.

For efficient operation, empty the dust bag when it is no more than half full.

This allows better airflow through the bag. A dust extraction system may also be connected to the dust extraction port for a cleaner and safer work area.

FITTING THE CLAMP ASSEMBLY (FIG.6)

Two sockets (one either side) are incorporated into the rear of the machines fence. These sockets are for positioning the Clamp Assembly.

Fit the clamp to the retaining socket that best suits the cutting application, ensuring that it is fully pushed down.

Using a screwdriver, tighten the clamp assembly lock screw to lock the pillar of the clamp into the fence socket, Fig.6.

Place the workpiece to be cut onto the saw table, against the fence and in the desired position.

Adjust the clamp using the thumbscrews and hand-wheel so that it securely holds the workpiece to the saw table.

Conduct a 'dry run' with the power disconnected. Ensure that the Clamp does not interfere with the path of the blade, or with the path of any other part of the cutting head as it is lowered.

SETTING THE TABLE SQUARE WITH THE BLADE

Make sure that the electrical plug is removed from the power point.

Push the saw arm down to its lowest position, Fig.7, and engage the release knob to hold the saw arm in the transport position, Fig.8.

Fit the mitre lock handle (Fig.9).

Rotate the table until the pointer is positioned at 0°. Tighten the mitre lock handle. (Fig.10)

Loosen the bevel lock and set the saw arm at 0° bevel (the blade at 90° to the mitre table). (Fig.11)

Tighten the bevel lock, Fig.12.

Place a set square against the table and the flat part of the blade (Fig.13).

NOTE. Make sure that the square contacts the flat part of the saw blade, not the teeth. Rotate the blade by hand and check the blade-to-table alignment at several points. The edge of the set square and the saw blade should be parallel.

If the saw blade angles away from the set square, adjust as follows:

Loosen the bevel lock. (Fig.15)

Use 10mm spanner or adjustable spanner to adjust the lock nut (Fig, 16), make sure the edge of set square and saw blade should be parallel.

Tighten the bevel lock.

Loosen the screw holding the pointer of the bevel scale and adjust the position of the pointer so that it accurately indicates zero on the scale. Retighten the screw, Fig.17.

Retighten the bevel lock and the lock nut securing the

0° bevel adjustment screw.

NOTE. The above procedure can also be used to check the angle of the saw blade to the table at 45° bevel angle. The 45° bevel adjustment screw is on the opposite side of the saw arm.

TRENCH DEPTH ADJUSTMENT

In its normal position, the trenching stop permits the saw blade to cut right through a workpiece.

To adjust the trench stop pull out the release knob out and fully raise the saw arm (Fig.18)

When the saw arm is lifted, the trenching stop can be adjusted so that the trenching depth adjustment screw contacts the stop as the saw arm is lowered.

Deploy the stop by moving it outwards, Fig.19. If the trenching stop wont move, slightly loosen the screw using a crosshead screwdriver.

This restricts the cut to a "trench" in the workpiece.

The depth of the trench can be adjusted with the trenching depth adjustment screw and locked in position with the trenching depth lock nut (Fig.20).

OPERATION

To turn the saw on, move the lock-off lever to the left (Fig.21) and depress and hold the on/off trigger switch (Fig.22).

When the blade is at its maximum speed (approximately 2 seconds), lower the blade through the workpiece (Fig.23). After completing the cut, release the switch trigger and allow the saw blade to stop rotating before raising the blade out of the workpiece. Wait until the blade stops before removing the workpiece.

CROSS-CUTTING (WITHOUT SLIDING FUNCTION)

To saw narrow pieces of wood, the slide function is not necessary. In these cases, ensure that the slide lock is screwed down to prevent the saw arm from sliding, Fig.24.

A crosscut is made by cutting across the grain of the workpiece. A 90° crosscut is made with the mitre table set at 0°. Mitre crosscuts are made with the table set at some angle other than zero.

Pull on the release knob and lift the saw arm to its full height.

Loosen the mitre lock. Rotate the mitre table until the pointer aligns with the desired angle. Retighten the mitre lock.

WARNING. Be sure to tighten the mitre lock before making a cut. Failure to do so could result in the table moving during the cut and cause serious personal injury.

Place the workpiece flat on the table with one edge securely against the fence. If the board is warped, place the convex side against the fence. If the concave side is placed against the fence, the board could break and jam the blade.

When cutting long pieces of timber, support the overhanging ends of the timber with the side extension arms, a roller stand or a work surface that is level with the saw table.

Use the clamp assembly to secure the workpiece wherever possible.

It is possible to remove the clamp assembly by loosening the clamp assembly lock and moving it to the other side of the table. Make sure the clamp assembly lock is tight before using the clamp. Before turning on the saw, perform a dry run of the cutting operation to check that there are no problems.

Hold the operating handle firmly and squeeze the switch trigger. Allow the blade to reach maximum speed.

Press the release latch and slowly lower the blade into and through the workpiece.

Release the switch trigger and allow the saw blade to stop rotating before raising the blade out of the workpiece. Wait until the blade stops before removing the workpiece.

CROSS-CUTTING (WITH SLIDE ACTION)

When cutting wide workpieces, first unscrew the slide lock, Fig.24.

Pull on the release knob, raise the saw arm to its highest position and slide it towards you.

Hold the handle firmly and squeeze the switch trigger. Allow the blade to reach maximum speed. Press the release latch and slowly lower the blade into the workpiece and slide it away from you at the same time until the workpiece is cut.

Release the switch trigger and allow the saw blade to stop rotating before raising the blade out of the workpiece.

Wait until the blade stops before removing the workpiece.

BEVEL CUT

A bevel cut is made by cutting across the grain of the workpiece with the blade angled to the fence and mitre table. The mitre table is set at the zero degree position and the blade set at an angle between 0° and 45° to the left, Fig.25.

Repeat the steps for cross-cutting (with or without slide function).

Loosen the bevel lock and move the saw arm to the left to the desired bevel angle (between 0° and 45°).

Tighten the bevel lock.

WARNING: Always ensure that the bevel lock is fully tightened before making a cut.

COMPOUND MITRE CUT

A compound mitre cut involves using a mitre angle and a bevel angle at the same time.

It is used in making picture frames, to cut mouldings, making boxes with sloping sides and for roof framing.

Always make a test cut on a piece of scrap wood before cutting into the good material.

Use the slide action when cutting wide workpieces.

MAINTENANCE & CARE

CHANGING A BLADE

DANGER: The blade is extremely sharp and care must be observed when handling. Never try to use a blade larger than the stated capacity of the saw. It might come into contact with the blade guards. Never use a blade that is too thick to allow the outer blade washer to engage with the flats on the spindle.

It will prevent the blade bolt from properly securing the blade on the spindle.

Do not use the saw to cut metal or masonry.

Ensure that any spacers and spindle rings that may be required suit the spindle and the blade fitted.

Make sure that the electrical plug is removed from the power point.

Push down on the operating handle and pull the release knob to disengage the saw arm.

The release knob can be turned so that it is held in the retracted position.

Raise the saw arm to its highest position.

Rotate the lower blade guard (Fig.26) up and into the upper blade guard and press the spindle lock button (Fig.27). Rotate the blade until the spindle locks.

Use the 6mm Allen key wrench to remove the blade bolt (Fig.28). (Loosen in a clockwise direction as the blade screw has a left hand thread).

Remove the washer, outer blade flange and the blade.

Wipe a drop of oil onto the inner blade washer and the outer blade washer where they contact the blade.

Fit the new blade onto the spindle taking care that the inner blade washer sits behind the blade.

CAUTION. To ensure correct blade rotation, always install the blade with the blade teeth and the arrow printed on the side of the blade pointing down (Fig.28).

The direction of blade rotation is also stamped with an arrow on the upper blade guard.

Replace the outer blade washer.

Depress the spindle lock button and replace the blade bolt.

Use the 6mm Allen key wrench to tighten the blade screw securely (anti-clockwise).

Check that the blade guard operates correctly and covers the blade as the saw arm is lowered.

Connect the saw to the power supply and run the saw to make certain that it is operating correctly.

Note: Check the tightness of the blade securing bolt before, during and after each use.

MAINTENANCE

Keep the tool's air vents unclogged and clean at all times.

Regularly check to see if any dust or foreign matter has entered the grills near the motor and around the trigger switch. Use a soft brush to remove any accumulated dust. Wear safety glasses to protect your eyes whilst cleaning.

Re-lubricate all moving parts at regular intervals.

If the body of the saw needs cleaning, wipe it with a soft damp cloth. A mild detergent can be used but nothing like alcohol, petrol or other cleaning agent.

Never use caustic agents to clean plastic parts.

CAUTION. Water must never come into contact with the saw.

GENERAL INSPECTION

Check regularly that all fixation screws are sufficiently tightened. Check especially the outer flange. If there is vibration, screws can loosen with time.

Regularly check the device's power cable and all extension cables used for damage. If the supply cord needs replacing, the task must be carried out by the manufacturer, the manufacturer's agent, or an authorised service centre in order to avoid a safety hazard. Replace damaged extension cables.

TECHNICAL SPECIFICATION

Voltage	230 V~ 50 Hz
Rated input	1500W
No load speed	4500 min ⁻¹
Saw Blade diameter	Ø210mm
Teeth	48 HW
Saw Blade arbour	Ø 30mm
Angle of mitre table	-45°/0°/+45°
Bevel angles	45° to the left
Straight cut at 0° x 0°	305 x 70 mm
Mitre cut at 45° x 0°	215 x 70 mm
Bevel cut at 0° x 45°	305 x 35 mm
Combined Mitre cut at 45° x 45°	215 x 35 mm
Weight	11.0 kg

NOISE AND VIBRATION DATA





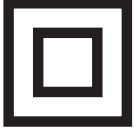











A weighted sound pressure: L_{pA} 93.6dB(A)

A weighted sound power: L_{WA} 106.6 dB(A)

Uncertainty K K=3dB(A)

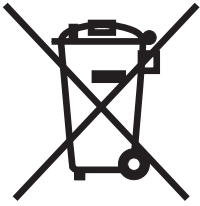
SYMBOLS

The rating plate on your tool may show symbols. These represent important information about the product or instructions on its use.

	Wear hearing protection. Wear eye protection. Wear respiratory protection.		Product conforms to RoHS requirements
	Conforms to relevant safety standards.		General warning
	Double insulated for additional protection.		Waste electrical products should not be disposed of with household waste. Please recycle where facilities exist. Check with your Local Authority or retailer for recycling advice.
	Read the instruction manual.		
	Dangerous voltage.		Do NOT touch the moving blade
	Cutting danger.		Do NOT approach the machine with loose clothing
	Danger! Splinter casing		Protect the machine from foul weather
	Do NOT clean, lubricate or repair while the machine is running		Do NOT remove safety guards and devices with the machine operating

ENVIRONMENTAL PROTECTION

Information for (private householders) for the environmentally responsible disposal of Waste Electrical and Electronic Equipment (WEEE)



This symbol on products and or accompanying documents indicates that used and end of life electrical and electronic equipment should not be disposed of in household waste. For the proper disposal, treatment, recovery and recycling, please take these products to designated collection points, where they will be accepted on a free of charge basis. Alternatively, in some countries you may be able to return your products to your retailer upon the purchase of an equivalent new product. Disposing of this product correctly will help to save valuable resources and prevent any potential adverse effects on human health and the environment which could otherwise arise from inappropriate waste disposal and handling. Please contact your local authority for further details of your nearest designated collection point. Penalties may be applicable for incorrect disposal of this waste in accordance with national legislation.

FOR BUSINESS USERS IN THE EUROPEAN UNION.

If you wish to discard electrical and electronic equipment, please contact your dealer or supplier for further information.

Information on Disposal in other Countries outside the European Union.

This Symbol is only valid in the European Union.

If you wish to dispose of this product, please contact your local authorities or dealer and ask for the correct method of disposal.

SÄHKÖISET TIEDOT

TÄRKEÄÄ

Tämä tuote on varustettu sinetöidyllä sähköpistokkeella, joka sopii työkalulle ja käyttömaassa käytetylle virralle ja vastaa kansainvälisiä standardeja.

Laite tulee kytkeä arvokilvessä ilmoitettuun jännitteeseen. Jos pistoke tai sähköjohto on vaurioitunut, ne tulee vaihtaa täysin samanlaiseen sarjaan.

Noudata aina käyttömaassa voimassa olevia sähköverkkoon kytkemistä koskevia lakeja.

Ota tarvittaessa aina yhteys ammattitaitoiseen sähköasentajaan.

ESITTELY

Kiitos, että ostit tämän tuotteen, joka on läpäissyt kattavan laatutarkastusprosessimme. Kaikki on tehty sen varmistamiseksi, että saat sen täydellisessä toimintakunnossa.

TURVALLISUUS ENSIN

Seuraavat perusvaroitimet on tehtävä ennen sähkötyökalun käyttämistä tulipalojen, sähköiskujen ja henkilövahinkojen estämiseksi. On tärkeää lukea nämä käyttöohjeet, jotta ymmärrät tämän työkalun käytön, siihen liittyvät rajoitukset ja potentiaaliset vaarat.

TAKUUTODISTUS

Tällä tuotteella on 2 vuoden takuu, joka alkaa ostopäivästä ja koskee vain ensimmäistä ostajaa. Tämä takuu kattaa vain virheet, jotka aiheutuvat raaka-aine- ja valmistusvirioista, ja jotka tulevat esille takuuajana. Takuu ei korvaa kuluvia osia. Valmistaja korjaa tai vaihtaa tuotteen harkintansa mukaan edellyttäen seuraavassa mainittuja asioita. Tuotetta on käytetty käsikirjan ohjeiden mukaisesti, ja sitä ei ole käytetty väärin tai huolimattomasti tai tarkoitukseen, johon sitä ei ole tarkoitettu käytettäväksi. Laitetta ei ole purettu osiin tai peukaloitu millään tavalla, sitä ei ole huollatettu valtuuttamattomilla henkilöillä tai käytetty vuokrauksen kohteena. Kuljetusvauriot eivät kuulu tämän takuun piiriin. Niistä on vastuussa kuljetusliike. Takuuvaateet on esitettävä ensisijaisesti suoraan jälleenmyyjälle takuukauden aikana. Tuote tulee palauttaa valmistajalle vain poikkeuksellisissa tapauksissa. Näissä tapauksissa ostajan vastuulla on tuotteen palauttaminen omalla kustannuksellaan ja varmistaa, että se on asianmukaisesti pakattu kuljetusvaurioiden estämiseksi. Mukaan tulee liittää lyhyt kuvaus viasta ja kopio kuitista tai muusta ostotodistuksesta. Valmistaja ei ole vastuussa mistään erityisistä, esimerkiksi suorista, välillisistä, satunnaisista tai epäsuorista menetyksistä tai vahingoista takuun aikana. Tämä takuu tulee lisänä, eikä vaikuta oikeuksiin, joita kuluttajalla saattaa olla vuoden 1973 Tavarannmyyntilain ja siihen vuonna 1975 ja 1999 tehtyjen muutosten mukaisesti.

Sähkötyökalu on tarkoitettu ainoastaan kotikäyttöön. Sähkötyökalu ei sovellu kaupalliseen tai ammatilliseen käyttöön eikä sitä ole tarkoitettu niihin.

Takuu ei kata sähkötyökalujen vikoja ja vaurioita, jotka ovat seurausta muusta kuin kotikäytöstä, erityisesti kun ne ovat seurausta pakottamisesta tai väärinkäytöstä.

"Takuu raukeaa, jos työkalu on vaurioitunut jostakin seuraavista syistä.

1. Tuotteen väärä käyttö tai sen asianmukaisen huollon laiminlyönti
2. Tuotteen kaupallinen tai ammatillinen käyttö tai vuokraus
3. Korjauksen on tehnyt muu kuin valtuutettu huoltoyritys
4. Ulkoisten esineiden tai aineiden aiheuttamat vauriot.

LAKISÄÄTEISET OIKEUDET

Tämä takuu on lisänä, eikä vaikuta lakisääteisiin oikeuksiisi.

TUOTTEEN HÄVITTÄMINEN

Kun tuotteen käyttöikä loppuu tai se hävitetään jostakin muusta syystä, sitä ei saa hävittää kotitalousjätteen mukana. Luonnonvarojen säilyttämiseksi ja haitallisten ympäristövaikutusten minimoimiseksi, kierrätä tuote tai hävitä muulla ympäristöystävällisellä tavalla. Tuote tulee viedä paikalliseen kierrätyskeskukseen tai muuhun viralliseen keräily- ja hävityspisteeseen.

Jos olet epävarma, kysy kierrätys- ja/tai hävittämisvaihtoehdoista paikalliselta jäteliikkeeltä.

ERITYISET TURVAOHJEET

Lue kaikki ohjeet ennen kuin yrität käyttää laitetta. Säilytä nämä ohjeet.

TERÄN TURVALLISUUS

VAROITUS: Pyörivät sahanterät ovat erittäin vaarallisia ja voivat aiheuttaa vakavia henkilövahinkoja ja raajojen leikkautumisia. Pidä sormet ja kädet aina vähintään 150 mm:n etäisyydellä terästä. Älä yritä poistaa sahattua materiaalia ennen kuin leikkuupää on nostettu yläasentoon, suojus on täysin suljettu ja sahanterä on lopettanut pyörimisen. Käytä vain valmistajan suosittamia ja standardin EN 847-1 mukaisia sahanteriä.

Älä käytä sahanteriä, jotka ovat vaurioituneita tai vääntyneitä, koska ne voivat haljeta ja aiheuttaa vakavan henkilövahingon käyttäjälle tai sivullisille.

Älä käytä pikateräksestä (HSS) valmistettuja sahanteriä.

Älä pysäytä terää pakottamalla tai käyttäen sivuttaista painamista.

Älä käytä vääntyneitä teriä tai teriä, joista puuttuu hampaita. Tämä on erittäin vaarallista ja saattaa aiheuttaa vakavan vahingon käyttäjälle ja vieressä oleville sekä vaurioittaa konetta.

Älä käytä teriä, jotka ovat määriteltyä isompia. Käytä vain koneelle mitoitettuja teriä. Terässä näkyvän pyörimisnopeuden (min⁻¹) tulee aina olla SUUREMPI kuin koneen pyörimisnopeus (min⁻¹).

Varmista, että terään merkitty suuntanuoli vastaa moottorin pyörimissuuntaa. Terän hampaiden tulee aina osoittaa alaspäin sahan edestä katsottuna.

Jos pöydän kitakappale vaurioituu tai kuluu, se täytyy vaihtaa samanlaiseen. Niitä saa valmistajalta tämän käyttöoppaan ohjeiden mukaisesti.

HENKILÖNSUOJAIMET (PPE)

Käytä kuulosuojaimia kuulovaurioriskin pienentämiseksi.

Suojalaseja tulee käyttää, jotta estetään sinkoutuvien lastujen aiheuttama mahdollinen näkökyvyn menetys.

Hengityssuojain on myös suositeltava. Jotkin puut tai puuntyyppiset tuotteet, etenkin MDF (puolikova kuitulevy), voivat tuottaa pölyä, joka saattaa olla vaarallista terveydellesi. Laitetta käytettäessä suosittelemme käyttämään pölynpoistolaitteen lisäksi hyväksytyä kasvonaamiota, jossa on vaihdettavat suodattimet.

Käytä käsineitä teriä tai karkeita materiaaleja käsitellessäsi. Suosittelemme kuljettamaan sahanterät kotelossa aina, kun mahdollista.

Emme suosittele käsineiden käyttöä, kun käytät jiirisahaa.

TURVALLINEN KÄYTTÖ

Varmista, että olet valinnut oikean sahanterän sahattavalle materiaalille. Älä käytä tätä jiirisahaa muiden materiaalien kuin alla mainittujen sahaamiseen:

Puu

Puuperäiset tuotteet (MDF, lastulevy, vaneri, kimpilevy, kovalevy jne.)

Alumiini

Niukkahiilinen teräs (max paksuus 6 mm/1/4")

Kun kuljetat jiirisahaa, varmista, että sahanpää on lukittu alas 90 asteen asentoon (jos liukuva jiirisaha, varmista, että liukupalkit on lukittu). Nosta konetta tarttumalla molemmilla käsillä sen pohjan ulkoreunoista (jos liukuva jiirisaha, nosta siinä olevista kahvoista).

Missään tapauksessa konetta ei saa nostaa tai kuljettaa vetämällä suojuksesta tai mistään käyttömekanismin osasta.

Pidä suojukset paikoillaan ja hyvässä toimintakunnossa. Tarkista suojusten moitteeton toiminta, kun kone on irrotettuna verkkovirrasta.

Paina sahanpää alas niin, että terä on alimmassa asennossaan, pyöritä terää varovasti kädellä

varmistaaksesi, että se pyörii esteettömästi.

Toista tämä toimenpide kaikissa maksimi viiste- ja vinosahaustennoissa ennen kuin aloitat jiirisahan käytön.

Pidä työpenkki ja lattia-alue puhtaana irtomateriaalista, kuten lastuista ja sahatuista kappaleista.

Pidä aina sahanterä ja sahanterän laippa puhtaina.

Jos aluslevyjien tai supistusrenkaiden käyttö on välttämätöntä, niiden täytyy olla tarkoitukseen sopivia ja valmistajan suosittelemia.

Jos jiirisaha on varustettu laserilla, älä vaihda laseria toisen tyyppiseen. Jos laser ei toimi, se täytyy korjata tai vaihtaa valtuutetussa huoltoliikkeessä.

Aina kun vaihdat teriä varmista, että sahanterän kauluksen uritettu pinta on terän pintaa vasten.

Varmista, että terän kiinnityspultti on kunnolla kiristetty käyttäen mukana tullutta avainta. Älä kiristä liikaa.

Älä yritä poistaa sahattua materiaalia tai muita työkappaleen osia ennen kuin leikkuupää on nostettu yläasentoon, suojus on täysin suljettu ja sahanterä on lopettanut pyörimisen.

Kiinnitä työkappale sahauspöytään puristinkiinnikkeillä aina, kun se on mahdollista.

Varmista aina ennen jokaista sahausta, että jiirisaha on asennettu vakaaseen asentoon.

Pitkiä kappaleita sahattaessa käytä sahapukkeja tai työpenkkejä työkappaleen tukemiseen ja varmista, että kaikki kiinnittimet on kiristetty ja tarkista liika vällys.

VAROITUS: minkä tahansa jiirisahan käyttö voi aiheuttaa vieraiden esineiden sinkoutumisen kohti silmiä ja aiheuttaa vakavan silmävaurion. Käytä aina suojalaseja tai sivusuojilla varustettuja suojalaseja tai kokonaamaria, kun käytät sähkötyökalua.

VAROITUS: Jos jiirisahasta puuttuu osia, älä käytä sitä ennen kuin osat on korvattu uusilla. Tämän säännön noudattamatta jättäminen voi johtaa vakavaan henkilövahinkoon.

LISÄTURVAOHJEET

Jotkin puut tai puuntyyppiset tuotteet, etenkin MDF (puolikova kuitulevy), voivat tuottaa pölyä, joka saattaa olla vaarallista terveydellesi. Laitetta käytettäessä suosittelemme käyttämään pölynpoistolaitteen lisäksi hyväksytyä kasvonaamiota, jossa on vaihdettavat suodattimet. Varmista, että sähkötyökalut on irrotettu verkkovirrasta, kun niitä ei käytetä sekä ennen huoltoa, voitelemista tai säätöjen tekemistä sekä varusteiden, kuten terien, vaihdon aikana.

Anna sahanterän saavuttaa täysi nopeus ja käydä tyhjäkäynnillä muutama sekunti ennen sahausken aloittamista. Mikäli havaitset epätavallista ääntä tai värinää, PYSÄYTÄ laite välittömästi ja tarkista ongelman aiheuttaja.

Älä koskaan sahaa vapaalla kädellä. Varmista aina, että työkappale on tiukasti painettu takavastetta ja pöydän tukipintaa vasten.

Varmista, että irti sahattavalla työkappaleella on riittävä tila liikkua sivusuunnassa. Tämän noudattamatta jättäminen saattaa johtaa irti sahattavan osan jumittumiseen terää vasten.

Mikäli työstettävää kappaletta ei voida pitää kunnolla kiinni käsin, käytä kiinnitintä tai puristinta pitämään sitä paikallaan.

Varmista, että epäsäännölliset tai pyöreät kappaleet on kiinnitetty kunnollisesti, jotta ne eivät pääse liikkumaan tai kääntymään ja jumittamaan terää.

Älä koskaan sahaa enempää kuin yhden kappaleen kerrallaan.

Älä koskaan työstä sellaisia kappaleita, jotka ovat liian pieniä pideltäviksi peukalolla ja etusormella takavastetta vasten.

Käytä vain valmistajan suosittelemia teriä.

Älä käynnistä laitetta siten, että terä koskettaa työstettävää kappaletta.

Tarkista työstettävä kappale naulojen, ruuvinkantojen tai minkä tahansa varalta, joka voisi vaurioittaa terää.

Älä yritä muuttaa laitetta tai sen lisävarusteita millään tavalla.

Älä käytä liiallista voimaa työkappaleen syöttämisessä sahalle.

Työstettävän kappaleen sahaaminen asteittain vähentää koneen ja terän kulumista ja lisää tehokkuutta ja käyttöikä.

Älä käytä sahaa ilman paikoillaan olevia suojuksia.

Vaihda kitapala, kun se on kulunut.

Älä käytä sahaa muiden materiaalien kuin alumiinin, puun tai vastaavien materiaalien sahaamiseen.

Yhdistä jiirisahat pölynkeräyslaitteeseen sahausken ajaksi.

Valitse sahanterät sahattavan materiaalin mukaan.

Ole varovainen pistosahausta tehdessäsi.

VAROITUS! ÄLÄ YRITÄ SAHATA MATERIAALIA, JOKA YLITTÄÄ MAKSIMI SAHAUSKAPASITEETIN.

JIIRISAHAN KANTAMISTA KOSKEVIA LISÄTURVAOHJEITA

Jiirisaha on painava vaikka se onkin kompakti. Pyydä apua aina nostaessasi sahaa, jotta vältät selkävammojen riskit.

Pidä työkalua noston aikana lähellä kehoasi välttääksesi selkävammojen riskit. Taivuta polviasia, jotta voit nostaa jalkavoimalla, ei selällä. Nosta käsille tarkoitetuista kohdista kummallakin puolella koneen pohjaa.

Älä koskaan kannaa jiirisahaa virtajohdosta. Jiirisahan kantaminen virtajohdosta voi vaurioittaa eristeitä tai johdinliitännöitä ja aiheuttaa sähköiskun tai tulipalon.

Ennen jiirisahan siirtämistä kirstä jiiri- ja viistelukitusruuvit ja liukuvan kelkan lukitusruuvi, jotta estät tahattomia, äkillisiä liikkeitä.

Lukitse sahanpää alimpaan asentoonsa. Varmista, että sahanpään lukitustappi on kunnolla liitännässään.

VAROITUS: Älä käytä teräsuojusta ”nostokohtana”. Virtajohto on irrotettava pistorasiasta ennen kuin konetta siirretään.

LASERVALOA KOSKEVIA TURVAOHJEITA

Käytetty laser on luokkaa 2, ja sen maksimi teho on 1 mW ja aallon pituus 650 nm.

Nämä laserit eivät yleensä aiheuta näkövaurioita, kuitenkin säteeseen tuijottaminen voi aiheuttaa tilapäistä näön menetystä.

VAROITUS. Älä tuijota suoraan lasersäteeseen. Tarkoituksella säteeseen tuijottaminen saattaa aiheuttaa vaaraa. Noudata kaikkia seuraavia turvamääräyksiä:

Laseria tulee käyttää ja huoltaa valmistajan ohjeiden mukaisesti.

Älä suuntaa sädettä koskaan ihmisiin tai muihin kohteisiin kuin työkappaleeseen.

Älä tahallaan suuntaa laseria ihmisiä kohti, ja varmista, ettei se osu silmiin pidempään kuin 0,25 sekunnin ajan.

Varmista aina, että lasersäde suunnataan karheaan työkappaleeseen, jossa ei ole heijastavia pintoja, esim. puu tai karheat pinnat ovat hyväksyttäviä.

Kirkkaat, kiiltävät teräslevyt tai vastaavat eivät sovellu laserille, sillä ne saattavat heijastaa säteen takaisin käyttäjään päin.

Älä vaihda laservaloa toisen tyyppiseen. Laserin valmistajan tai sen valtuuttaman edustajan on tehtävä laserin korjaukset.

YLEISET TURVALLISUUSÄÄNNÖT

VAROITUS! Lue kaikki ohjeet

Alla olevien ohjeiden noudattamatta jättäminen voi aiheuttaa sähköiskun, tulipalon ja/tai vakavan vamman. Käsite ”sähkötyökalu” kaikissa alla luetelluissa varoituksissa viittaa sähkövirtakäyttöiseen (johdotettuun) sähkötyökaluun tai akkukäyttöiseen (johdottoomaan) sähkötyökaluun.

PIDÄ NÄMÄ OHJEET TALLELLA

1) TYÖALUE

- a) Pidä työalue puhtaana ja hyvin valaistuna. Roskaiset tai pimeät alueet lisäävät onnettomuusriskiä.
- b) Älä käytä työkaluja ympäristöissä, joissa on räjähdysvaara, kuten helposti syttyvien nesteiden, kaasujen tai pölyn läsnä ollessa. Työkalut synnyttävät kipinöitä, jotka voivat sytyttää pölyn tai höyryt tuleen.
- c) Pidä lapset ja sivulliset poissa työkalua käytettäessä. Häiriötekijät voivat haitata keskittymistä.

2) SAHKÖTURVALLISUUS

- a) Sähkötyökalun pistokkeiden tulee vastata pistorasiaa. Älä koskaan muuta pistoketta millään tavalla. Älä käytä sovittipistokkeita maadoitettujen sähkötyökalujen kanssa. Muuttamattomat pistokkeet ja yhteensopivat pistorasiat vähentävät sähköiskun vaaraa.
- b) Vältä vartalokosketusta maadoitettuihin pintoihin kuten putkiin, lämmittimiin, liesiin tai jääkaappeihin. Sähköiskun vaara kasvaa, jos vartalosi on maadoitettu.
- c) Suojaa sähkötyökalut sateelta ja kosteudelta. Sähkötyökalun sisään päässyt vesi lisää sähköiskun vaaraa.
- d) Älä käytä johtoa väärin. Älä koskaan käytä johtoa sähkötyökalun kantamiseen, vetämiseen tai irrottamiseen pistorasiasta. Pidä johto kaukana lämmöstä, öljystä, terävistä reunoista ja liikkuvista osista. Vaurioituneet tai sotkeutuneet johdot lisäävät sähköiskun vaaraa.
- e) Kun sähkötyökalua käytetään ulkotiloissa, käytä jatkojohtoa, joka soveltuu ulkokäyttöön. Ulkokäyttöön sopivan johdon käyttö vähentää sähköiskun vaaraa.

3) HENKILÖTURVALLISUUS

- a) Pysy valppaana, katso mitä teet ja käytä tervettä järkeä käyttäessäsi työkalu. Älä käytä työkalu ollessasi väsynyt tai huumeiden, alkoholin tai lääkkeiden vaikutuksen alaisena. Hetkellinen epähuomio työkalu käytettäessä voi johtaa vakaviin henkilövammoihin.
- b) Käytä suojavarustusta. Käytä aina suojalaseja. Turvavarustus kuten hengityssuojain, liukumattomat turvajalkineet, suojakypärä tai kuulosuojain käytettynä asianmukaisissa olosuhteissa vähentää henkilövammoja.
- c) Vältä vahinkokäynnistyksiä. Varmista, että kytkin on off-asennossa (sammutettuna) ennen virran kytkemistä. Työkalun kantaminen sormi kytkimellä tai virran kytkeminen päälle työkaluihin, joiden kytkin on päällä, voi aiheuttaa onnettomuuksia.

- d) Poista säätöavaimet tai jakoavaimet ennen työkalun käynnistämistä. Jako- tai muu avain, joka on jätetty kiinni työkalun pyöriivään osaan voi aiheuttaa henkilövamman.
- e) Älä kurkottele. Pidä asianmukainen jalansija ja tasapaino kaiken aikaa. Tämä mahdollistaa työkalun paremman hallinnanodottamattomissa tilanteissa.
- f) Pukeudu asianmukaisesti. Älä pidä löysiä vaatteita tai koruja. Pidä hiuksesi, vaatteesi ja käsineesi poissa liikkuvista osista. Löysät vaatteet, korut tai pitkä tukka voivat jäädä kiinni liikkuviin osiin.
- g) Jos pölynpoistoon tai keräyslaitteisiin kytkettäviä laitteita on toimitettu, varmista, että ne on kytketty ja niitä käytetään asianmukaisesti. Näiden laitteiden käyttö voi vähentää pölyyn liittyviä vaaroja.

4) TYÖKALUN KÄYTTÖ JA HUOLTO

- a) Älä käytä voimaa työkaluun. Käytä käyttötarkoitukseesi soveltuvaa työkalua. Asianmukainen työkalu toimii paremmin ja turvallisemmin teholla, jolla se on suunniteltu.
- b) Älä käytä työkalua, jos kytkin ei käännä sitä päälle ja pois päältä. Työkalu, jota ei voida kontrolloida kytkimestä on vaarallinen, ja se tulee korjata.
- c) Säilytä seisovat työkalut poissa lasten ulottuvilta, äläkä anna henkilöiden, jotka eivät tunne työkalua tai näitä ohjeita, käyttää työkalua. Työkalut ovat vaarallisia kouluttamattomien käyttäjien käsissä.
- d) Pidä työkalut kunnossa. Tarkasta liikkuvien osien kohdistusvirheet tai kiinnitykset, osien murtumat ja muut seikat, jotka voivat vaikuttaa sähkötyökalujen käyttöön. Jos työkalu on vaurioitunut, korjauta se ennen käyttöä. Monet onnettomuudet aiheutuvat huonosti kunnossapidetyistä työkaluista.
- e) Pidä leikkaustyökalut terävinä ja puhtaina. Asianmukaisesti kunnossapidetyt leikkaustyökalut, joissa on terävät leikkausreunat, eivät juutu helposti ja niiden käsittely on helpompaa.
- f) Käytä työkalua, lisävarusteita ja työkalupaloja tms. näiden ohjeiden mukaisesti ja tavalla, johon kyseessä oleva sähkötyökalu on tarkoitettu, ottaen huomioon työolosuhteet ja suoritettava työ. Työkalun käyttö toimintoihin, joihin sitä ei ole tarkoitettu, voi johtaa vaaralliseen tilanteeseen.

5) HUOLTO

- a) Jätä työkalun huolto pätevälle korjaajalle, joka käyttää ainoastaan täsmälleen samanlaisia varaosia. Näin varmistetaan, että työkalun turvallisuus säilyy.

OSAT JA SÄÄTIMET (KUVA 1 JA 1A)

1.	Pölypussi
2.	Pölynpoistoliitانتä
3.	Ylempi kiinteä teräsuojus
4.	Lukituksen vapautusvipu
5.	Käyttökahva
6.	Kääntyvä teräsuojus
7.	Sivutuen asennusreiät (2 sarjaa)
8.	Kitapala (kitalevy)
9.	Jiirilukon kahva
10.	Jiirilukon vapautussalpa
11.	6 mm kuusiokoloavain
12.	Sivuttaistuki (vasen)
13.	Sivuttaistuki (oikea)
14.	Puristin
15.	Sivutuen lukitusruuvi
16.	Pöydän vaste
17.	Liukutangot
18.	Jiiripöytä
19.	Jiirasteikko
20.	Liipaisinkytkin
21.	Sahaussyvyyden säätöruuvi
22.	Liukukiskon lukitusnappi
23.	Viistelukko
24.	0°-viisteen säätöruuvi
25.	Puristimen lukkoruuvi (2 kpl)
26.	Vapautusnappi
27.	Sahaussyvyyden lukitusmutteri
28.	Viisteasteikko
29.	Karan lukituspainike

PAKKAUKSESTA PURKU

Huomio! Tämä pakkaus sisältää teräviä osia. Ole varovainen pakkausta purkaessasi. Poista laite sekä mukana olevat tarvikkeet pakkauksesta. Tarkista huolellisesti, että laite on hyvässä kunnossa ja kaikki käyttöoppaassa luetellut tarvikkeet ovat mukana. Varmista myös, että kaikki tarvikkeet ovat täydellisiä. Jos jokin osa puuttuu, laite ja tarvikkeet tulee palauttaa alkuperäisessä pakkauksessa jälleenmyyjälle.

Älä heitä pakkausta pois, pidä se tallessa koko takuuajan ja kierrätä sen jälkeen, mikäli mahdollista,

muutoin hävitä se asianmukaisella tavalla. Älä anna lasten leikkiä tyhjiillä muovipusseilla tukehtumisvaaran takia.

VARUSTEET

Käytä vain alkuperäisiä vaihto-osia, jotka vastaavat sähkötyökalun nopeutta ja kiinnitystä.

FXAJ1G-ZP8-210C-koneen mukana toimitetaan seuraavat varusteet:

- 48-hampainen terä (asennettuna)
- Pölypussi
- Työkappaleen puristin
- Sivuttaistuet (2 kpl)
- 6 mm kuusiokoloavain sahanterälle

KOKOAMINEN

Huomautus: ennen laitteen kokoamista tai purkamista on varmistettava, että laite ei ole liitetty sähköverkkoon.

KULJETTAMINEN (KUVA 2)

Nosta jiirisahaa vain, kun sahanvarsi on lukittuna alasetoon, saha on pois päältä ja pistoke on irrotettu pistorasiasta. Nosta sahaa ainoastaan ulko-osista. Älä nosta sahaa suojuksista.

TYÖPÖYTÄÄN KIINNITTÄMINEN (KUVA 3)

Sahan pohjassa on 4 asennusreikää työpöytään kiinnittämistä varten. Kiinnitä saha tasaiseen, vaakasuoraan penkkiin tai työpöytään pulteilla (eivät sisälly toimitukseen) sahan pohjassa olevien asennusreikien läpi.

HUOMAUTUS. Sahan voi tarvittaessa asentaa vähintään 8 mm:n vanerilevyyn, joka voidaan sitten kiinnittää työtukeen tai siirtää muihin työkohteisiin ja kiinnittää uudelleen.

HUOMIO. Varmista, että asennusalusta ei ole vääntynyt. Epätasainen pinta voi aiheuttaa terän kiinni jäämistä tai epätarkan sahaustuloksen.

SIVUTTAISTUET (KUVA 4)

Liu'uta tuet reikiin rungon sivuissa. Lukitse sivuttaistuet paikoilleen kiristämällä sivutuen lukitusruuvi, (kuva 4).

HUOMAUTUS: sivutuen lukitusruuvi täytyy kiristää hyvin ennen kuin työkappale asetetaan sahaan.

PÖLYPUSSI (KUVA 5)

Pölypussi kiinnitetään pölynpoistoliitانتään. Purista kahta metalliloketta pölypussin päässä, jotta se liukuu pölynpoistoliitانتään.

Järjestelmä toimii tehokkaasti, kun pölypussi tyhjennetään sen ollessa korkeintaan puolillaan.

Silloin ilmanvirtaus pussin läpi on parempi. Pölynpoistoliitانتään voidaan liittää myös pölynpoistojärjestelmä, jolloin työskentelyalue pysyy puhtaana ja turvallisena.

PURISTIMIEN KIINNITTÄMINEN (KUVA 6)

Koneen vasteen takana on kaksi liitintää (yksi kummallakin puolella). Nämä liitännät on tarkoitettu puristimille.

Kiinnitä puristin liitintään, joka parhaiten soveltuu tehtävään sahaukseen, ja varmista, että se on painettu kokonaan alas.

Käytä ruuvitaltaa, kiristä puristimen lukkoruuvi ja lukitse puristin vasteen liitintään, kuva 6.

Aseta sahattava työkappale sahauspöydälle vastetta vasten ja haluamaasi asentoon.

Sääda puristinta siipiruuvien ja käsipyörän avulla siten, että se pitää työkappaleen paikoillaan sahauspöydällä.

Tee ”kuivaharjoittelu” ilman virtaa. Varmista, että puristin ei häiritse terän kulkureittiä tai minkä tahansa muun sahanpään osan liikkumista, kun sahanpää lasketaan.

PÖYDÄN JA TERÄN VÄLISEN KULMAN ASETTAMINEN

Varmista, että virtapistoke on irrotettu pistorasiasta.

Paina sahan varsi alimpaan asentoon, kuva 7, ja pidä sahanvarsi kuljetusasennossa painamalla vapautusnuppia, kuva 8.

Asenna jiirilukon kahva (kuva 9).

Käännä pöytää niin, että osoitin osoittaa kohtaa 0°. Kiristä jiirilukon kahva. (Kuva 10).

Avaa viistelukko ja aseta sahanvarren viisteeksi 0° (terä on 90 asteen kulmassa jiiripöytään nähden). (Kuva 11)

Kiristä viistelukko, kuva 12.

Sijoita kulmamitta pöydän ja terän litteän osan väliin (kuva 13).

HUOMAUTUS. Varmista, että kulmamitta koskettaa terän litteää pintaa, ei hampaita. Käännä terää kädellä ja tarkasta terän ja pöydän välinen kulma useasta kohdasta. Kulmamitan reunan ja sahanterän tulee olla samansuuntaiset.

Jos sahanterä menee vinoon kulmamitasta, sääda sitä seuraavasti:

Avaa viistelukko. (Kuva 15)

Käytä 10 mm:n kiintoavainta tai säädettävää kiintoavainta ja sääda lukitusmutteri (kuva 16) ja varmista, että kulmamitan reuna ja sahanterä ovat samansuuntaiset.

Kiristä viistelukko.

Avaa viistekulman asteikon lukitusruuvi ja sääda osoittimen asento siten, että se osoittaa tarkasti nollakohtaa asteikolla. Kiristä ruuvi uudelleen, kuva 17.

Kiristä viistelukko ja 0°-viistekulman säätöruuvien lukitusmutteri.

HUOMAUTUS. Edellä kuvatulla tavalla voidaan myös tarkastaa sahanterän ja pöydän välinen kulma viistekulman ollessa 45°. 45°-viistekulman säätöruuvi on sahanvarren vastakkaisella puolella.

SAHAUKSEN SYVYYDEN SÄÄTÄMINEN

Normaaliasennossa syvyysvaste sallii terän painumisen työkappaleen läpi.

Voit säätää syvyysvastetta vetämällä vapautinnupin ulos ja nostamalla sahanvarren täysin yläasentoon (kuva 18).

Kun sahanvarsi on ylhäällä, syvyysvastetta voidaan säätää siten, että syvyyden säätöruuvi osuu syvyysvasteeseen kun sahanvarsi lasketaan.

Ota vaste käyttöön siirtämällä sitä ulospäin, kuva 19. Jos syvyysvaste ei liiku, löysää hieman ruuvia ristipääruuvitaltan avulla.

Tämä rajoittaa sahausken syvyyden työkappaleessa.

Sahauskun syvyyttä voidaan säätää syvyyden säätöruuvilla ja lukita haluttuun asentoon syvyysvasteen lukitusmutterilla (kuva 20).

KÄYTTÖ

Kytke saha päälle siirtämällä lukituksen vapautusvipu vasemmalle (kuva 21) ja pitämällä käynnistysliipaisinta painettuna (kuva 22).

Kun terä on saavuttanut enimmäisnopeutensa (noin 2 sekunnin kuluttua), laske terä työkappaleen läpi (kuva 23). Kun sahaus on tehty, vapauta liipaisinkytkin ja sahanterän pysähtyä kokonaan, ennen kuin nostat terän irti työkappaleesta. Odota terän pysähtymistä ennen kuin poistat työkappaleen.

SAHAUS (ILMAN LIUKUTOIMINTOA)

Pienien puukappaleiden sahausken ei tarvita liukutoimintoa. Näissä tapauksissa liukukiskojen lukitus on kiristettävä siten, että se estää sahanvarren liukumisen, kuva 24.

Sahaus tehdään työkappaleen syiden poikki. 90 asteen sahauskessa sahauspöydän kulman tulee olla 0°. Kulmasahauskessa pöytä säädetään johonkin muuhun kulmaan kuin nolla.

Vedä vapautusnuppia ja nosta sahanvarsi sen täyteen korkeuteen.

Avaa jiirilukko. Käännä sahauspöytää, kunnes osoitin kohdistuu haluttuun kulmaan. Kiristä jiirilukko.

VAROITUS. Muista kiristää jiirilukko ennen sahausken aloittamista. Muutoin pöytä voi liikkua sahausken aikana ja aiheuttaa vakavan henkilövahingon.

Aseta työkappale pöydälle siten, että yksi reunoista on kiinni vasteessa. Jos lauta on vääntynyt, aseta sen kupera sivu kiinni vasteeseen. Mikäli kovera sivu asetetaan vasteeseen, lauta voi murtua ja terä jäädä kiinni.

Pitkiä kappaleita katkaistaessa, puun ulompi pää on tuettava sahauspöydän tasolle sivuttaistukien, rullatelineen tai työtason avulla.

Kiinnitä työkappale puristimella aina kun se on mahdollista.

Puristin voidaan ottaa pois löysäämällä puristimen lukkoa ja siirtämällä puristin toiselle puolelle pöytää. Varmista, että puristimen lukko on kiristetty ennen kuin käytät puristinta. Testaa sahanterän liike ennen kuin käynnistät sahan, jotta varmistat kaiken olevan kunnossa.

Pidä hyvin kiinni käyttökahvasta ja purista liipaisinkytkintä. Anna terän saavuttaa enimmäisnopeutensa.

Paina vapautussalpa ja laske terä hitaasti työkappaleeseen ja sen läpi.

Vapauta liipaisinkytkin ja sahanterän pysähtyä kokonaan, ennen kuin nostat terän irti työkappaleesta. Odota terän pysähtymistä ennen kuin poistat työkappaleen.

SAHAUS (LIUKUTOIMINTOA KÄYTTÄEN)

Leveitä työkappaleita sahattaessa ensin on avattava liukukiskojen lukitus, kuva 24.

Vedä vapautusnuppia, nosta sahanvarsi yläasentoon ja liu'uta sitä itseesi päin.

Pidä hyvin kiinni kahvasta ja purista liipaisinkytkintä. Anna terän saavuttaa enimmäisnopeutensa. Paina vapautussalpa ja laske terä hitaasti työkappaleeseen. Liu'uta sitä itsestäsi poispäin, kunnes työkappale on sahattu kokonaan.

Vapauta liipaisinkytkin ja sahanterän pysähtyä kokonaan, ennen kuin nostat terän irti työkappaleesta.

Odota terän pysähtymistä ennen kuin poistat työkappaleen.

VIISTESAHAUS

Viistesahauksessa työkappale sahataan syiden poikki terän ollessa vinossa vastereunaan ja sahauspöytään nähden. Sahauspöydän kulmasäätö on nolla astetta ja terä on säädetty kulmaan vasemmalle välillä 0°–45°, kuva 25.

Toista katkaisun vaiheet (liukutoiminnolla tai ilman).

Avaa viistekulman lukitus ja siirrä sahanvarsi vasemmalle haluttuun viistekulmaan (0°–45°).

Kiristä viistekulman lukitus.

VAROITUS: varmista aina, että viistelulukko on kiristetty kunnolla ennen kuin sahaat mitään.

YHDISTETTY JIIRI- JA VIISTESAHAUS

Yhdistetyssä jiiri- ja viistesahauksessa jiirikulmaa ja viistekulmaa käytetään samanaikaisesti.

Sitä käytetään kuvakehyksien, muottien, viistoilla sivuilla varustettujen laatikoiden ja kattotuolien sahaamiseen.

Kokeile sahausta aina muutama koekappaleeseen ennen hyvän materiaalin sahaamista.

Käytä liukutoimintoa, jos sahaat isoja työkappaleita.

KUNNOSSAPITO JA HOITO

TERÄN VAIHTAMINEN

VAARA: terä on erittäin terävä ja sen käsittelyssä on oltava varovainen. Älä yritä käyttää isompaa terää kuin sahan ilmoitettu kapasiteetti vaatii. Se saattaa ottaa kiinni teräsuojukseen. Älä koskaan käytä terää, joka on liian paksu salliakseen ulomman terän aluslevyn kiinnittyä karan tasaisiin osiin.

Se estää terän pulttia kiinnittämästä terää kunnolla karaan.

Älä käytä sahaa metallin tai kiviaineksen sahaamiseen.

Varmista, että kaikki aluslevyt ja mahdollisesti vaaditut kararenkaat sopivat karaan ja kiinnitettyyn terään.

Varmista, että virtapistoke on irrotettu pistorasiasta.

Paina käyttökahva alas ja vedä vapautusnupista, jolloin sahanvarsi irtoaa.

Vapautusnuppi voidaan kääntää siten, että se pysyy ulosvedetyssä asennossa.

Nosta sahanvarsi ylimpään asentoon.

Käännä alemmaa teräsuojusta (kuva 26) ylös ja ylempään teräsuojukseen ja paina karan lukituspainiketta (kuva 27). Pyöritä terää, kunnes kara lukittuu.

Irrota terän pultti käyttämällä 6 mm:n kuusiokoloavainta (kuva 28). (Löystyy myötöpäivään kierretessä, koska terän ruuvissa on vasenkätinen kierre).

Irrota aluslevy, ulompi terälaippa ja terä.

Levitä pisara öljyä sisempään terän aluslevyyn ja ulompaan terän aluslevyyn kohtaan, jossa ne koskettavat terää.

Kiinnitä uusi terä karaan huolehtien siitä, että sisempi terän aluslevy asettuu terän taakse.

HUOMIO. Varmistat terän oikean pyörimissuunnan, kun asennat terän aina hampaat ja terän sivuun painettu nuoli alaspäin (kuva 28).

Terän pyörimissuunta on merkitty myös ylempään teräsuojukseen nuolen avulla.

Vaihda ulompi terän aluslevy.

Paina karan lukituspainiketta ja vaihda sitten terän pultti.

Käytä 6 mm:n kuusiokoloavainta ja kiristä terän ruuvi kunnollisesti (vastapäivään).

Tarkasta, että teräsuojus toimii oikein ja peittää terän, kun sahanvarsi lasketaan alas.

Yhdistä saha virtalähteeseen ja käytä sahaa, jotta varmistat sen toiminnan virheettömyyden.

Huomautus: tarkista terän kiinnitysruuvien kireys ennen jokaista käyttökertaa, käytön aikana ja jokaisen käyttökerran jälkeen.

KUNNOSSAPITO

Pidä työkalun tuuletusaukot aina esteettöminä ja puhtaina.

Tarkasta säännöllisesti, ettei pölyä tai vieraita esineitä ole päässyt moottorin lähellä oleviin ritilöihin tai liipaisinkytkimen ympärille. Poista mahdollisesti kerääntynyt pöly pehmeällä harjalla. Käytä suojalaseja suojaamaan silmiä puhdistuksen aikana.

Voitele kaikki liikkuvat osat säännöllisin väliajoin.

Mikäli sahan runko vaatii puhdistamista, pyyhi se pehmeällä, kostealla liinalla. Mietoa pesuainetta voi käyttää, mutta ei alkoholia, bensiiniä tai muita puhdistusaineita.

Älä koskaan käytä muoviosien puhdistamiseen syövyttäviä aineita.

HUOMIO. Saha ei saa päästä kosketuksiin veden kanssa.

YLEINEN TARKASTUS

Tarkasta säännöllisesti, että kaikki kiinnitysruuvit ovat riittävän kireällä. Tarkasta erityisesti uloin laippa. Ruuvit voivat löystyä ajan mittaan, jos esiintyy värähtelyä.

Tarkasta laitteen virtajohto ja kaikki käytössä olevat jatkojohdot säännöllisesti vaurioiden varalta. Jos virtajohto täytyy vaihtaa, valmistajan, valmistajan edustajan tai valtuutetun huoltoliikkeen täytyy tehdä se turvallisuusriskien välttämiseksi. Vaihda vaurioituneet jatkojohdot.

TEKNISEET TIEDOT

Jännite	230 V~ 50 Hz
Nimellinen tulovirta	1500 W
Joutokäyntinopeus	4500 min ⁻¹
Sahanterän läpimitta	Ø 210 mm
Hampaat	48 HW
Sahanterän keskireikä	Ø 30 mm
Jiiripöydän kulma	-45°/0°/+45°
Viistekulmat	45° vasemmalle
Suora katkaisu 0° x 0°	305 x 70 mm
Jiirisahaus 45° x 0°	215 x 70 mm
Viistesahaus 0° x 45°	305 x 35 mm
Yhdistetty jiirisahaus ja katkaisu 45° x 45°	215 x 35 mm
Paino	11,0 kg

MELU- JA TÄRINÄTIEDOT

A-painotettu äänenpainotaso: L_{pA} 93,6 dB(A)

A-painotettu äänitehotaso: L_{WA} 106,6 dB(A)

Virhemarginaali K, m/s² K=3 dB(A)

SYMBOLIT

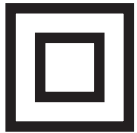
Työkalusi arvokilvessä voi olla symboleita. Ne merkitsevät tärkeää tietoa tuotteesta tai ohjeita sen käyttöön.



Käytä kuulosuojaimia.
Käytä suojalaseja.
Käytä hengityssuojaa.



Vastaa voimassa olevia
turvallisuusstandardeja.



Kaksoiseristetty lisäsuojan takia.



Lue käyttöohje.



Vaarallinen jännite.



Sahausvaara.



Vaara! Lastukotelo



ÄLÄ puhdista, voitele tai korjaa
koneita sen käytössä



Tuote vastaa RoHS-vaatimuksia



Yleinen varoitus



Vanhoja sähkölaitteita ei saa
hävittää kotitalousjätteen mukana.
Toimita ne kierrätystä varten
keräyspisteeseen. Pyydä
kierrätysohjeita paikallisilta
viranomaisilta tai jälleenmyyjältä.



ÄLÄ koske pyörivään terään



ÄLÄ lähesty konetta, jossa sinulla
on liehuvat vaatteet



Suojaa kone huonolta säältä



ÄLÄ poista suojuksia tai
turvalaitteita koneen ollessa
käynnissä

YMPÄRISTÖNSUOJELU

Tietoja (yksityisten kotitalouksien) käytetyn sähkö- ja elektroniikkalaitteiston (Waste Electrical and Electronic Equipment, WEEE) ympäristöllisesti vastuullisesta hävittämisestä.



Tämä symboli tuotteissa ja tai sen mukana tulevissa asiakirjoissa osoittaa, että käytettyjä ja loppuun kuluneita sähkö- ja elektroniikkalaitteita ei saa hävittää kotitalousjätteen mukana. Asianmukaista hävitystä, käsittelyä, uudelleenkäyttöä ja kierrätystä varten vie nämä tuotteet nimettyihin keräyspisteisiin, joihin ne hyväksytään ilmaiseksi. Vaihtoehtoisesti joissain maissa voit palauttaa ne vähittäismyyjällesi ostaessasi uutta vastaavaa tuotetta. Kun hävität tämän tuotteen asianmukaisesti, autat säilyttämään arvokkaita luonnonvaroja ja estämään sellaisia mahdollisia haitallisia vaikutuksia ihmisterveydelle ja ympäristölle, joita voisi muutoin ilmetä virheellisestä jätteenhävittämisestä ja -käsittelystä. Ota yhteyttä paikalliseen viranomaiseen saadaksesi lisätietoja lähimmästä nimetystä keräyspisteestä. Tämän jätteen virheellisestä hävittämisestä voidaan määrätä rangaistuksia kansallisen lainsäädännön mukaisesti.

YRITYSKÄYTTÄJILLE EUROOPAN UNIONISSA.

Jos haluat heittää pois sähkö- tai elektroniikkalaitteistoa, ota yhteyttä jälleenmyyjäsi tai tavarantoimittajaasi saadaksesi lisätietoja.

Tietoja hävittämisestä muissa maissa Euroopan unionin ulkopuolella.

Tämä symboli on voimassa vain Euroopan unionissa.

Jos haluat hävittää tämän tuotteen, ota yhteyttä paikallisiin viranomaisiin tai jälleenmyyjäsi ja kysy neuvoa asianmukaisesta hävitysmenetelmästä.

ELEKTRISKA DATA

VIKTIGT

Denna produkt är utrustad med en helgjuten kontakt som är kompatibel med redskapet och inspänningen i ditt hemland och uppfyller alla internationella normer.

Apparaten ska anslutas till en nätspänning som överensstämmer med den som anges på märkplåten. Om kontakten eller strömkabeln är skadade ska de bytas ut mot en enhet som är identisk med den originala.

Följ alltid föreskrifterna som gäller för elektriska nätanslutningar i ditt hemland.

Vid tveksamhet, vänd dig till en kvalificerad elektriker.

INLEDNING

Tack för att du köper denna produkt som har genomgått vår omfattande kvalitetssäkringsprocess. Stor noggrannhet har lagts på att säkerställa att den levereras i felfritt skick.

SÄKERHETEN FRAMFÖR ALLT

Innan du börjar använda denna elektriska maskin bör följande säkerhetsåtgärder genomföras för att minska risken för bränder, elchocker och personskada. Det är viktigt att du läser bruksanvisningen för att förstå hur maskinen fungerar, dess begränsningar och vilka faror som kan förekomma med den.

GARANTICERTIFIKAT

Denna produkt har en garanti på 2 år med början på köpdagen och gäller enbart den första köparen. Garantin täcker endast fel som uppstår på grund av defekta material och/eller tillverkningsfel som uppdragas under garantiperioden, och täcker inte förbrukningsmaterial. Tillverkaren åtar sig att reparera eller ersätta produkten enligt eget gottfinnande på följande premisser: Att produkten använts i enlighet med rekommendationerna i bruksanvisningen samt att den inte har missbrukats, hanterats med ovetenskap eller använts för opassande ändamål, att den inte har plockats isär eller manipulerats på något sätt eller har reparerats av obehörig personal eller har hyrts ut. Transportskador täcks inte av garantin då dessa är transportföretagets ansvar. Garantifordringar måste göras omgående och till återförsäljaren under garantiperioden. Endast under mycket speciella omständigheter kan det bli aktuellt att returnera produkten till tillverkaren. I dessa fall ansvarar kunden för returkostnaden och att produkten förpackas med tillräckligt skydd mot transportskador. Returen måste innehålla en kort beskrivning av produktfelet samt en kopia på kvittot eller annat köpbevis. Tillverkaren ansvarar inte för några speciella, direkta, indirekta, oavsiktliga eller efterföljande förluster eller skador under denna garanti. Denna garanti är ett tillägg till, och påverkar inte på något sätt, konsumentens rättigheter i och med konsumentköplagen.

Elverktyget är endast avsett för hushållsbruk. Elverktyget är inte lämpligt och inte avsett för kommersiell eller yrkesmässig användning.

Garantin täcker inte defekter och skador på elverktyg som härrör från andra användningsområden än hushållsbruk, i synnerhet till följd av genomdrivning och missbruk.

"Garantin upphävs om verktyget skadas på grund av ett av följande förhållanden:

1. Missbruk av produkten eller försummelse av korrekt underhåll av produkten,
2. Produkten används kommersiellt, yrkesmässigt eller hyrts ut,
3. Reparation utförd av ett obehörigt serviceföretag.
4. Skador orsakade av externa objekt eller ämnen."

LAGSTADGADE RÄTTIGHETER

Denna garanti är ett tillägg till, och påverkar på inget sätt, dina lagstadgade rättigheter.

BORTSKAFFANDE AV PRODUKTEN

När produkten når slutet av sin livstid eller bortscaffas av någon annan anledning ska den inte slängas i hushållssoporna. För att bevara naturresurserna och minimera miljöpåverkan ber vi dig att göra dig av med produkten på ett miljövänligt sätt. Den ska återvinnas på en återvinningsstation eller annan behörig samlings- och sophanteringscentral.

Om du är osäker på hur produkten ska sorteras kan du kontakta den lokala sophanteringsstationen gällande återvinning och bortscaffande.

SÄRSKILDA SÄKERHETSFÖRESKRIFTER

Läs igenom dessa instruktioner innan du försöker att använda denna produkt och spara dessa instruktioner.

KLINGSÄKERHET

ARNING: Roterande sågklingor är extremt farliga och kan orsaka allvarliga skador och amputationer. Håll alltid fingrar och händer minst 150 mm från klingan hela tiden. Försök aldrig att hämta sågat material innan såghuvudet är i upphöjd position, skyddet är helt stängt och sågklingan slutat rotera. Använd endast sågklingor som rekommenderas av tillverkaren och som uppfyller kraven i EN 847-1

Använd inte sågklingor som är skadade eller deformerade då de kan splittras och orsaka allvarliga skador på operatören eller åskådare.

Använd inte sågklingor som tillverkats av höghastighetsstål (HSS).

Stoppa inte klingan genom att trycka med maskinen eller genom att använda tryck från sidan.

Använd inte klingor som är deformerade eller saknar tänder. Det är mycket farligt och kan resultera i allvarliga olyckor för operatören och åskådare samt skada maskinen.

Använd inte klingor som är större än de specificerade, använd endast klingor som är dimensionerade för maskinen. Rotationshastigheten (min^{-1}) som visas på klingan skall alltid vara HÖGRE än rotationshastigheten (min^{-1}) på maskinen.

Se till att riktningsspilen som är markerad på klingan motsvarar rotationsriktningen på motorn. Tänderna på klingan skall alltid peka nedåt såsom visas från framsidan av sågen.

Om bordinsatsen blir skadat eller slitet måste det ersättas med ett identiskt bord som finns tillgängligt från tillverkaren såsom anges i denna bruksanvisning.

PERSONLIG SKYDDSUTRUSTNING (PPE)

Hörselskydd skall användas för att minska risken för hörselskador.

Skyddsglasögon skall användas för att förhindra risken för att sikten försämras av utmatade spån.

Andningskydd rekommenderas också då vissa träslag och träprodukter, särskilt MDF (Medium Density Fibreboard) kan producera damm som kan vara skadligt för hälsan. Vi rekommenderar att en godkänd ansiktsmask använd med utbytbart filter när denna maskin används förutom att dammutsugningmöjligheter skall användas.

Handskar bör användas när klingor eller grovt material hanteras. Det rekommenderas att sågklingor skall bäras i en hållare när så är praktiskt möjligt.

Det är inte rekommendabelt att använda handskar när geringssågen används.

SÄKER HANTERING

Se alltid till att du har valt korrekt sågklinga för det material som skall kapas. Använd inte denna geringssåg för att såga annat material än det som specificeras nedan:

Trä

Trähärledda produkter (MDF, spånskiva, plywood, trälamellskiva, hård träfiberskiva etc.)

Aluminium

Mjukt kolstål (6mm tjock)

Vid transport av en geringssåg, se till att kaphuvudet är låst i 90° nedre positionen (om en glidande geringssåg används se till att glidstångarna är låsta). Lyft maskinen genom att greppa i de yttre kanterna med båda händerna (om en glidande geringssåg används, transportera den med hjälp av de medföljande handtagen).

Under inga omständigheter skall maskinen lyftas eller transporteras med hjälp av de utdragbara skydden eller någon del av driftmekanismen.

Håll skydden på plats och i god funktion. Se till att maskinen är frånkopplad från elnätet och kontrollera funktionen hos skydden så att den fungerar korrekt.

Sänk ned såghuvudet så att klingan är i dess lägsta position och vrid försiktigt på klingan för hand för att se till att det inte finns några hinder.

Upprepa denna procedur vid maximal geringsposition innan geringssågen börjar användas.

Håll arbetsbänken och golvet rent från allt skräp inklusive sågdamm, sågspån och avkapade bitar.

Håll alltid klingans säkerhetsdorn och muff rena.

Där det är nödvändigt att använda brickor eller reduceringsringar måste dessa vara lämpliga för avsedd användning och endast enligt rekommendationerna från tillverkaren.

Om geringssågen är utrustad med en laser skall den inte ersättas med en annan typ. Om lasern inte fungerar skall den repareras eller bytas av ett auktoriserat servicecenter.

När klingor byts skall det garanteras att den fördjupade ytan på klingflänsen passar noggrant mot ytan på klingan.

Se till klingans fästbult är säkert åtdragen med den medföljande nyckeln. Dra inte för hårt.

Försök aldrig att hämta sågat material eller någon annan del av arbetsstycket innan såghuvudet är i upphöjd position, skyddet är helt stängt och sågklingan slutat rotera.

När så är möjligt, fäst arbetsstycket på arbetsbordet med medföljande fästtving.

Se alltid till att geringssågen är monterad i en stabil position före varje kapning.

Vid kapning av långa arbetsstycken, använd sågbockar eller arbetsbänkar som stöder arbetsstycket, se till att alla fästtvingar är åtdragna och kontrollera om det finns för stort spelrum.

WARNING: användning av någon geringssåg kan resultera i att främmande föremål kastas mot dina ögon vilket kan resultera i allvarliga ögonskador. Innan elverktyget börjar användas skall alltid skyddsglasögon eller skyddsglasögon med sidoskydd och fullt ansiktsskydd användas när så behövs.

WARNING: Om det saknas delar, använd inte geringssågen innan de saknade delarna är ersatta. Om inte dessa regler följs kan det leda till allvarliga personskador.

YTTERLIGARE SÄKERHETSANVISNINGAR

Vissa träslag och träprodukter, särskilt MDF (Medium Density Fibreboard) kan producera damm som kan vara skadligt för hälsan. Vi rekommenderar att en godkänd ansiktsmask använd med utbytbart filter när denna maskin används förutom att dammutsugningmöjligheter skall användas. Se till att elverktyg är frånkopplade från elnätet när de inte används, innan service, smörjning eller inställningar görs vid byten av tillbehör såsom klingor.

Innan någon sågning genomförs, låt klingan först nå full hastighet och låt den köra några sekunder. Om onaturliga ljud eller vibrationer hörs STOPPA maskinen omedelbart och undersök orsaken.

Försök aldrig att såga på frihand. Se alltid till att arbetsstycket ligger säkert an mot bakre anslaget och bordets stödyta.

Se till att arbetsstycket som kapas bort har tillräckligt med utrymme för att flytta i sidled. Om så inte görs kan det resultera i att den avsågade biten kärvar mot klingan.

Om arbetsstycket inte kan hållas säkert för hand, använd då jiggen eller tvingen för att hålla det på plats medan det sågas.

Se till att oregelbundna eller runda delar hålls fast så att de inte kan förflytta sig eller snurra runt och klämma klingan.

Såga aldrig in mer än en del i taget.

Såga aldrig delar som är för små för att säkert kunna hållas fast mot bakre anhållet med tummen och pekfingeret.

Använd endast klingor som rekommenderas av tillverkaren.

Starta inte maskinen med klingan liggande an mot arbetsstycket.

Kontrollera om det finns några utstickande spikar, skruvhuvuden eller något som kan skada klingan.

Försök inte att modifiera maskinen eller dess tillbehör på något sätt.

Använd inte överdriven kraft när arbetsstycket matas mot klingan.

Gradvis matning av arbetsstycket kommer att minska slitaget på maskinen och klingan och öka dess effektivitet och driftlivslängd.

Använd inte sågen utan att skydden finns på plats.

Byt införingsbordet när det är slitet.

Använd inte sågen för att kapa annat material än aluminium, trä eller liknande material.

Anslut geringssågen till en dammuppsamlingsenhet vid sågning.

Välj sågklingor i relation till det material som skall kapas.

Var försiktig vid slitsning.

WARNING! FÖRSÖK INTE ATT SÅGA MATERIAL SOM ÄR STÖRRE ÄN MAXIMALA SÅGKAPACITETEN.

YTTERLIGARE SÄKERHETSANVISNINGEN NÄR GERINGSSÅGEN BÄRS

Även om den är kompakt är denna geringssåg tung. För att minska risken för ryggsador, be om kompetent hjälp för att lyfta sågen.

För att minska risken för ryggsador, håll verktyget nära kroppen när det lyfts. Böj knäna så att du kan lyfta med hjälp av benen, inte ryggen. Lyft med hjälp av handtagen på var sida om maskinbasen.

Bär aldrig geringssågen i strömsladden. Att bära geringssågen i strömsladden kan skada isoleringen eller trådanslutningen vilket kan resultera i elstötar eller brand.

Innan geringssågen flyttas dra åt gerings- och vinkellåsskruvarna och glidtransportlåsskruven för att skydda mot plötsliga och oväntade rörelser.

Lås såghuvudet i dess lägsta läge. Se till att såghuvudets låspinne är helt isatt i dess hål.

WARNING: Använd inte klingskyddet som "lyftpunkt". Strömsladden måste tas bort från strömförsörjningen innan maskinen flyttas.

SÄKERHETSREGLER FÖR LASERLJUS

Laserljuset/laserstrålningen som används är klass 2 med maximalt 1mW effekt och 650nm våglängd.

Denna laserstrålning utgör normalt ingen optisk fara även om man stirrar in i strålen, men man kan råka ut för blixtblindhet.

WARNING. Stirra inte direkt in i laserstrålen. Det kan vara en risk om du medveten stirrar in i strålen, observera alla säkerhetsregler enligt följande:

Lasern skall användas och underhållas i enlighet med tillverkarens instruktioner.

Rikta aldrig laserstrålen mot någon person eller något annat föremål än arbetsstycket.

Laserstrålen skall inte avsiktligt riktas mot personer och skall förhindras att riktas direkt mot ögat på en person under längre tid är 0,25 s.

Se alltid till att laserstrålen är riktad mot ett fast arbetsstycke utan reflekterande yta, d.v.s. trä eller grova ytor är acceptabla.

Ljusa blanka reflekterande stålplåt eller liknande är inte lämpligt för laseranvändning eftersom den reflekterande ytan kan rikta strålen tillbaka mot operatören.

Byt inte ut laserljusmontaget mot en annan typ. Reparationer måste utföras av lasertillverkaren eller ett auktoriserat ombud.

ALLMÄNNA SÄKERHETSREGLER

WARNING! Läs alla instruktioner.

Om instruktionerna nedan inte följs kan det resultera i elchocker, bränder och/eller allvarliga skador. Termen "elverktyg" i varningslistan nedan syftar på ett eldrivet (med sladd) elverktyg eller ett batteridrivet (utan sladd) elverktyg.

SPARA SÄKERHETSINSTRUKTIONERNA

1) ARBETSUTRYMMET

- a) Håll arbetsutrymmet rent och väl upplyst. Röriga och mörka utrymmen kan orsaka olyckor.
- b) Använd inte elverktyg i explosiva miljöer som i närheten av lättantändliga vätskor, gaser eller damm. Elverktygen skapar gnistor som kan antända damm eller ångor.
- c) Håll barn och åskådare på avstånd medan elverktyget är i drift. Om du distraheras kan du tappa kontrollen.

2) ELSÄKERHET

- a) Kontakten på elverktyget måste passa uttaget. Ändra aldrig på kontakten. Använd aldrig adapterkontakter med jordade elverktyg. Omodifierade kontakter och matchande uttag minskar risken för elchocker.
- b) Undvik kroppskontakt med jordade ytor som rör, element, spisar och kylskåp. Risken för elchocker ökar om kroppen är jordad.
- c) Utsätt inte elverktyg för regn eller väta. Vatten inuti elverktyget ökar risken för elchocker.
- d) Skada inte sladden. Använd aldrig sladden för att lyfta, dra eller koppla ur elverktyget. Håll sladden borta från värme, olja, vassa kanter och rörliga delar. Skadad eller trasslig sladd ökar risken för elchocker.
- e) Vid utomhusbruk ska du använda en förlängningsssladd som är avsedd för bruk utomhus. Användning av sådan sladd minskar risken för elchocker.

3) PERSONSÄKERHET

- a) Var uppmärksam och titta på det du gör, och använd elverktyget förnuftigt. Undvik att använda elverktyget om du är trött eller påverkad av droger, alkohol eller medicin. Ett ögonblicks avbruten uppmärksamhet kan leda till allvarliga personskador.
- b) Använd säkerhetsutrustning. Bär alltid skyddsglasögon. Skyddsutrustning som munskydd, halkfria skor, hjälm och hörselskydd som anpassats efter omständigheterna minskar risken för personskador.
- c) Undvik att elverktyget startas oavsiktligt. Se till att strömbrytaren är inställd på "off" innan du sätter i kontakten. Att bära elverktyget med fingret på strömbrytaren eller stoppa i kontakten medan strömbrytaren är på ökar också skaderisken.
- d) Avlägsna skiftnycklar och inställningsverktyg innan du sätter på elverktyget. En skiftnyckel eller annat verktyg i kontakt med en roterande del av elverktyget kan resultera i personskada.

- e) Sträck dig inte efter något. Stå alltid stadigt och balanserat. Detta underlättar kontrollen av elverktyget i oförutsedda situationer.
- f) Bär ändamålsenliga kläder. Undvik att bära löst sittande kläder och smycken. Håll hår, kläder och handskar borta från rörliga delar. Löst sittande kläder, smycken och långt hår kan fastna i rörliga delar.
- g) Om det finns uttag för dammsugare och uppsugningsanordningar ska du se till att dessa är anslutna och fungerar korrekt. Att använda sådana anordningar kan minska risken för dammrelaterad fara.

4) ANVÄNDNING OCH SKÖTSEL AV ELVERKTYG

- a) Använd inte elverktyget med våld. Använd rätt elverktyg för det du ska utföra. Val av rätt elverktyg innebär att jobbet genomförs smidigare och säkrare.
 - b) Använd inte elverktyget om strömbrytaren inte kan slå av eller sätta på det. Om ett elverktyg inte kan kontrolleras med strömbrytaren är det att betrakta som farligt och verktyget måste repareras.
 - c) Dra ut kontakten från uttaget innan du justerar elverktyget, byter anordningar eller placerar elverktyget på förvaringsstället. Sådana förebyggande säkerhetsåtgärder minskar risken att elverktyget startar oavsiktligt.
 - d) Förvara elverktyg utom räckhåll för barn och låt inte personer som inte är vana vid elverktyget eller som inte läst instruktionerna använda elverktyget. Elverktyg är farliga i händerna på ovana användare.
 - e) Skötsel av elverktyg. Leta efter förskjutningar, kontakt mellan olika rörliga delar, trasiga delar och andra skador som kan påverka elverktygets prestation. Vid skador ska du se till att elverktyget repareras. Många skador beror på dåligt skötta elverktyg.
 - f) Se till att skärverktygen är vassa och rena. Korrekt skötta skärverktyg med vassa blad är mindre benägna att fastna och lättare att kontrollera.
 - g) Använd elverktyget, tillbehör och verktygsdelar i enlighet med dessa instruktioner och på sådant vis som avsetts för det aktuella verktyget, och beakta omständigheterna i arbetsmiljön och för det jobb som ska genomföras. Att använda elverktyget för andra ändamål än det verktyget är avsett för kan resultera i farliga situationer.
- ### 5) SERVICE
- a) Se till att elverktyget servas av en kvalificerad reparatör som använder identiska reservdelar. Detta garanterar att säkerheten hos elverktyget bibehålls.

KOMPONENTER & KONTROLLER (BILD 1 & 1A)

1.	Damppåse
2.	Dammutsugningsöppning
3.	Övre fast klingskydd
4.	Låsspak
5.	Bärhandtag
6.	Roterande klingskydd
7.	Hål för sidostödsstång (2 set)
8.	Bordinsats (sågplatta)
9.	Geringslåshandtag
10.	Geringslåshake
11.	Insexnyckel 6 mm
12.	Sidoförlängningsarm (vänster)
13.	Sidoförlängningsarm (höger)
14.	Tvingmontage
15.	Låsskruv sidostödsstång
16.	Bordsanslag
17.	Glidstänger
18.	Geringsbord
19.	Geringskala
20.	Strömbrytare på/av
21.	Inställningsskruv spårdjup
22.	Glidlåsratt
23.	Faslås
24.	0° fasinställningsskruv
25.	Tvingmontagelås (x2)
26.	Frigöringsratt
27.	Låsmutter spårdjup
28.	Fasskala
29.	Spindellåsknapp

UPPACKNING

Varning! Denna förpackning innehåller vassa föremål. Var försiktig vid uppackning. Ta ut maskinen, tillsammans med medföljande tillbehör, från förpackningen. Kontrollera noggrant att maskinen är i ett gott skick och att alla tillbehör som anges i denna bruksanvisning medföljer. Se även till att alla tillbehör är fullständiga. Om någon del saknas, returnera maskinen och dess tillbehör i sin originalförpackning till återförsäljaren.

Kasta inte förpackningen, förvara den på en säker plats under garantiperioden och återvinn den sedan.

Låt inte barn leka med tomma plastpåsar på grund av risken för kvävning.

TILLBEHÖR

Använd endast genuina reservdelar som uppfyller hastighetskraven och som passar på elverktyget.

FXAJ1G-ZP8-210C levereras med följande tillbehör:

- 48-tandad klinga (monterad)
- Damppåse
- Arbetstving
- Sidoförlängningsarmar (x 2)
- 6 mm insexnyckel till sågklinga

MONTERING

Notera: Innan någon montering eller demontering utförs på enheten, se till att enheten inte är ansluten till elförsörjningen.

TRANSPORT (BILD 2)

Lyft endast geringssågen när sågarmen är i låst läge i nedre läget, sågen är avstängd och kontakten är borttagen från eluttaget. Du får endast lyfta sågen via höljet. Lyft inte sågen med hjälp av skydden.

BÄNKMONTERING (BILD 3)

Sågbasen har fyra monteringshål för att underlätta bänkmontering. Fäst sågen på en plan och horisontell bänk eller arbetsbord med bultar (medföljer inte) genom fästhålerna i sågbasen.

NOTERA. Om så önskas kan du montera sågen på en bit plywood som är 8 mm eller tjockare vilken kan klämmas fast på ditt arbetsbord eller flyttas till andra arbetsplatser och klämmas fast.

WARNING! Se till att monteringsytan inte är skev då en ojämn yta kan orsaka kärvning och felaktig sågning.

SIDOFÖRLÄNGNINGSSARMAR (BILD 4)

Skjut stöden in i hålen på sidan av bashöljet. Dra åt låsskruven för att fästa sidoförlängningsarmarna (bild 4).

NOTERA: Låsskruven för sidoförlängningsarmen måste dras åt ordentligt innan arbetsstycket placeras på sågen.

DAMPÅSE (BILD 5)

Damppåsen passar på dammutblåsöppningen. Kläm ihop de två metallflikarna i änden på dammuppsamlingspåsen för att låta den glida över dammutblåsöppningen.

För effektiv drift, töm damppåsen när den är maximalt halvfull.

Detta ger ett bättre luftflöde genom påsen. Ett dammutsugningssystem kan också anslutas till dammutsugningsöppningen för ett renare och säkrare arbetsområde.

FÄSTA TVINGMONTAGET (BILD 6)

Två uttag (en på var sida) är inkorporerade i maskinens bakre anhåll. Dessa uttag är för placering av tvingmontaget.

Fäst tvingen på fästet såsom bäst passar sågtillämpningen, se till att den är helt nedskjuten.

Dra åt tvingmontagets låsskruv med en skruvmejsel för att låsa tvingens stolpe i anhållsfästet, bild 6.

Placera arbetsstycket som skall kapas på sågbordet, mot anhållet i önskat läge.

Ställ in tvingen med tumskruvorna och handhjulet så att den säkert håller fast arbetsstycket mot sågbordet.

Gör en "torrkörning" med strömmen fränkopplad. Se till att tvingen inte är i vägen för sågklingan eller i vägen för någon annan del av såghuvudet när det sänks ned.

STÄLLA IN BORDET I RÄT VINKEL MOT SÅGKLINGAN

Se till att nätkontakten är borttagen från strömuttaget.

Skjut sågarmen till dess lägsta position, bild 7 och aktivera låsratten för att hålla sågarmen i transportpositionen, bild 8.

Fäst geringslåsbandet (bild 9).

Vrid på bordet tills dess pekare är placerad vid 0°. Dra åt geringslåsbandet. (Bild 10)

Lossa faslåset och ställ in sågarmen på 0° fas (klingan mot 90° mot geringsbordet). (Bild 11)

Dra åt faslåset, bild 12.

Placera en vinkelhake mot bordet och den platta delen mot klingan (bild 13).

NOTERA. Se till att vinkelhaken har kontakt mot den plana delen av sågklingan, inte mot tänderna. Vrid klingan för hand och kontrollera inriktningen klinga-mot-bordet på flera punkter. Kanten på inställd vinkelhake och sågklingan skall vara parallella.

Om sågklingans vinkel inte är i vinkel mot vinkelhaken, justera enligt följande:

Lossa på faslåset (bild 15).

Justera låsmuttern (bild 16) med en 10 mm nyckel eller skiftnyckel, se till att kanten på vinkelhaken och sågklingan är parallell.

Dra åt faslåset.

Lossa skruven som håller pekaren på fasskalan och justera positionen för pekare så att den korrekt indikerar noll på skalan. Dra åt skruven igen, bild 17.

Dra åt faslåset igen och låsmuttern som fäster 0° fasvinkelskraven.

NOTERA. Ovanstående procedur kan också användas för att kontrollera vinkeln på sågklingan mot bordet vid 45° fasvinkel. 45° fasinställningsskraven är på motsatt sida mot sågarmen.

SPÅRDJUPSINSTÄLLNING

I dess normala position tillåter spårdjupsstoppet att sågklingan sågar rakt genom ett arbetsstycke.

För att justera sågdjupsstoppet, dra ut låsratten och lyft sågarmen helt upp (bild 18)

När sågarmen är lyft kan sågdjupsstoppet justeras så att sågdjupskraven kommer i kontakt med stoppet när sågarmen sänks ned.

Utnyttja stoppet genom att flytta det utåt, bild 19. Om sågdjupsstoppet inte flyttar sig, lossa något på skruven med en stjärnskruvmejsel.

Detta begränsar sågningen till en "skåra" i arbetsstycket.

Djupet på sågningen kan justeras med sågdjupsinställningsskrav och låsas i position med sågdjupslåsmuttern, (bild 20).

DRIFT

För att slå på sågen, flytta låsspaken åt vänster (bild 21) och tryck in och håll kvar avtryckaren (bild 22).

När klingan nått maximal hastighet (efter ungefär 2 sekunder), sänk ned klingan genom arbetsstycket (bild 23). När sågningen är fullföljd, släpp avtryckaren och låt sågklingan sluta rotera innan klingan lyfts ut ur arbetsstycket. Vänta till klingan stannat innan arbetsstycket tas bort.

KAPNING (UTAN GLIDFUNKTIONEN)

För att såga små bitar av trä är inte glidfunktionen nödvändig. I dessa fall, se till att glidlåset är skruvat ned för att förhindra att sågarmen glider, bild 24.

En kapning görs genom att såga tvärs över fibrerna i arbetsstycket. En 90° kapning görs med geringsbordet inställt på 0°. Geringskapning förs med bordet inställt på någon annan vinkel än noll.

Dra i frigöringsratten och lyft upp sågarmen till dess fulla höjd.

Lossa geringslåset. Vrid geringsbordet tills pekaren är i linje med önskad vinkel. Dra åt geringslåset.

VARNING. Se till att dra åt geringslåset innan en kapning görs. Om inte så görs kan det resultera i att bordet rör sig under kapningen och det kan orsaka allvarlig personskada.

Placera arbetsstycket plant på bordet med ena kanten säkert mot anhållet. Om skivan är skev, placera den konvexa sidan mot anhållet. Om den konkava sidan placeras mot anhållet kan skivan gå sönder och göra att klingan fastnar.

Vid kapning av långt timmer, stöd den överhängande änden på timret med sidoförlängningsarmarna, en rullställning eller en arbetsyta som är i nivå med sågbordet.

Använd tvingmontaget för att fästa arbetsstycket där så är möjligt.

Det är möjligt att ta bort tvingmontaget genom att lossa på tvingmontagets lås och flytta det till den andra sidan av bordet. Se till att tvingmontaget är låst innan tvingen används. Innan sågen slås på, gör en torrkorning för sågningen för att kontrollera att det inte finns några problem.

Håll fast arbetshandtaget och kläm in avtryckaren. Låt klingan nå maximal hastighet.

Tryck på låshaken och sänk sakta med klingan i och genom arbetsstycket.

Släpp avtryckaren och låt sågklingan sluta rotera innan klingan lyfts ut ur arbetsstycket. Vänta till klingan stannat innan arbetsstycket tas bort.

KAPNING (MED GLIDFUNKTION)

Vid kapning av stora arbetsstycken skruva först loss glidlåset, bild 24.

Dra i frigöringsratten, höj sågarmen till dess högsta position och låt den glida mot dig.

Håll fast arbetshandtaget och kläm in avtryckaren. Låt klingan nå maximal hastighet. Tryck på låshaken och sänk sakta klingan in i arbetsstycket och låt den samtidigt glida bort från dig tills arbetsstycket är kapat.

Släpp avtryckaren och låt sågklingan sluta rotera innan klingan lyfts ut ur arbetsstycket.

Vänta till klingan stannat innan arbetsstycket tas bort.

FASKAPNING

En faskapning görs genom att såga rakt över fibrerna i arbetsstycket med klingan vinklad om anhållet och geringsbordet. Geringsbordet är inställd på noll grader och klingan inställd på en vinkel mellan 0° och 45° åt vänster (bild 25).

Upprepa stege för kapning (med eller utan glidfunktion).

Lossa faslåset och flytta sågarmen åt vänster till önskad faskvinkel (mellan 0° och 45°).

Dra åt faslåset.

WARNING: Se alltid till att faslåset är fullt åtdragen innan en kapning görs.

BLANDAD GERINGSÅGNING

En blandad geringssågning involverar användning av en geringsvinkel och en faskvinkel samtidigt.

Det används för att göra bildramar, såga listverk, göra lådor med lutande sidor och för taklistning.

Gör alltid en testsågning på en bit skräpvirke innan

sågning sker i det bra materialet.

Använd glidfunktionen vid kapning av breda arbetsstycken.

UNDERHÅLL & SKÖTSEL

BYTE AV KLINGA

FARA: Klingan är extremt vass och måste hanteras försiktigt. Försök aldrig att använda en klinga som är större än angiven kapacitet på sågen. Den kan komma i kontakt med klingskydden. Använd aldrig en klinga som är för tjockt för att yttre klingbrickan skall kunna kugga i mot den flata sidan av spindeln.

Det kommer att förhindra att klingbulten ordentligt kan fästa klingan på spindeln.

Använd inte sågen för att kapa metall eller betong.

Se till att alla brickor och spindelringar som kan krävas passar spindeln och klingfästet.

Se till att nätkontakten är borttagen från strömuttaget.

Skjut ned drifhandtaget och dra låsratten för att frigöra sågarmen.

Låsratten kan vridas så att den hålls kvar i frigjort läge.

Höj upp sågarmen i dess högsta läge.

Vrid det nedre klingskyddet (bild 26) uppåt och in i det övre klingskyddet och tryck på spindellåsknappen (bild 27). Vrid klingan tills spindeln låses.

Använd 6 mm insexnyckel för att ta bort klingbulten (bild 28). (Lossa den medurs då klingskruven är vänstergängad).

Ta bort brickan, yttre klingflänsen och klingan.

Stryk ut några droppar olja på den inre klingbrickan och den yttre klingbrickan där de kommer i kontakt med klingan.

Fäst den nya klingan på spindeln och se till att den inre klingbrickan sitter bakom klingan.

WARNING! För att garantera korrekt klingrotation, installera alltid klingan med klingans tänder och pilen som är tryckt på sidan av klingan pekandes nedåt (bild 28).

Riktningen för klingans rotation är också tryckt med en pil på övre klingskyddet.

Byt ut den yttre klingbrickan.

Tryck ned spindellåsknappen och byt klingbulten.

Använd 6 mm insexnyckeln för att dra åt klingskruven (moturs).

Kontrollera att klingskyddet fungerar korrekt och täcker klingan när sågarmen är nedsänkt.

Anslut sågen till strömförsörjningen och kör sågen för att kontrollera att den fungerar korrekt.

Notera: Kontrollera åtdragningen av klingans låsbult före, under och efter varje användning.

UNDERHÅLL

Håll hela tiden verktyget luftventiler fria och rena.

Kontrollera regelbundet för att se om damm eller främmande föremål kommit in i gallret nära motorn och runt avtryckaren. Använd en mjuk borste för att ta bort ackumulerat damm. Använd skyddsglasögon för att skydda ögonen under rengöringen.

Smörj alla rörliga delar med regelbundna intervaller.

Om sågens hölje behöver rengöras, torka av det med en mjuk fuktig trasa. Ett mildt rengöringsmedel kan användas men inte något som innehåller alkohol, bensin eller andra rengöringsmedel.

Använd aldrig frätande medel för att rengöra plastdelarna.

VARNING! Vatten får aldrig komma i kontakt med sågen.

ALLMÄN ÖVERSYN

Kontrollera regelbundet att alla fästsruvar är ordentligt åtdragna. Kontrollera särskilt den yttre flänsen. Om det förekommer vibrationer kan skruvar lossna med tiden.

Kontrollera regelbundet enheten strömkabel och alla förlängningskablar om de är skadade. Om strömförsörjningskabeln behöver bytas måste det utföras av tillverkaren, tillverkarens ombud eller ett auktoriserat servicecenter för att undvika säkerhetsrisker. Byt skadade förlängningskablar.

TEKNISKA SPECIFIKATIONER

Spänning	230 V~ 50 Hz
Märkeffekt	1500W
Varvtal obelastad	4500 min ⁻¹
Sågklingdiameter	Ø210 mm
Tänder	48 HW
Sågklingsspindel	Ø 30 mm
Vinkel på geringsbord	-45°/0°/+45°
Fasvinklar	45° åt vänster
Raksågning vid 0° x 0°	305 x 70 mm
Geringssågning vid 45° x 0°	215 x 70 mm
Fassågning vid 0° x 45°	305 x 35 mm
Kombinerad geringssågning vid 45° x 45°	215 x 35 mm
Vikt	11,0 kg

BULLER OCH VIBRATIONSDATA

Ett medelvärde på ljudtryck: L_{pA} 93,6 dB(A)

Ett medelvärde på ljudeffekt: L_{WA} 106,6 dB (A)

Osäkerhet, K, i m/s² K=3 dB (A)

SYMBOLER

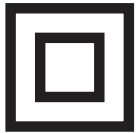
Typskylten på ditt verktyg kanske visar symboler. Dessa symboler visar viktig information om produkten eller användarinstruktioner.



Använd hörselskydd.
Bär skyddsglasögon.
Använd andningsskydd.



Uppfyller relevanta
säkerhetsstandarder.



Dubbelisolerad för extra skydd.



Läs bruksanvisningen.



Farlig spänning.



Risk för skärsår.



Fara! Höljessplitter



Rengör INTE, smörj eller reparera
medan maskinen körs.



Produkten uppfyller RoHS-kraven.



Allmän varning



Förbrukade elektriska produkter
inte får kastas i de vanliga
hushållssoporna. Lämna dessa
produkter på en
återvinningsstation. Be om råd
hos de lokala myndigheterna eller
din återförsäljare.



Vidrör INTE klingan i rörelse



Närma dig INTE maskinen med
löst sittande kläder



Skydda maskinen mot ruskväder



Ta INTE bort säkerhetsskydd och
enheter medan maskinen arbetar

MILJÖSKYDD

Information (för privathushåll) om miljösäkert bortskaffande av avfall som utgörs av eller innehåller elektriska eller elektroniska produkter (WEEE)



Denna symbol på produkter eller medföljande dokument innebär att använd och konsumerad elektrisk och elektronisk utrustning inte får slängas bland de vanliga hushållssoporna. För korrekt bortskaffande, behandling, återställning och återvinning ska du lämna dessa produkter på särskilt avsedda uppsamlingsplatser där de tas omhand utan kostnad. I vissa länder kan ett alternativ vara att skicka tillbaks produkten till återförsäljaren mot köp av en liknande ny produkt. Korrekt bortskaffande av produkten innebär att viktiga resurser sparas och motverkar farliga konsekvenser för människor och miljön som annars kunnat uppstå på grund av felaktigt bortskaffande och hantering. Kontakta de lokala myndigheterna för mer information om

närmaste uppsamlingsplats. Det kan vara straffbart att bortskaffa produkten på annat sätt än utfäst enligt nationell lag.

FÖR FÖRETAGSANVÄNDARE INOM EU.

Om du vill bli av med elektrisk och elektronisk utrustning ska du kontakta din återförsäljare eller leverantör för ytterligare information.

Information om bortskaffande i andra länder utanför EU.

Denna symbol gäller endast inom EU.

Om du önskar att bli av med denna produkt ska du kontakta de lokala myndigheterna och fråga efter korrekt bortskaffning.

ELEKTRISKE DATA

VIKTIG

Dette produktet er utstyrt med et tett elektrisk støpsel som er kompatibelt med verktøyet og strømmen i landet ditt og det tilfredsstillende kravene i de internasjonale standardene.

Dette apparatet må koples til en spenning lik den som er oppført på skiltet. Dersom støpselet eller strømledningen er skadet må de skiftes ut med en komplett enhet lik den originale.

Du må alltid følge lovene i landet ditt angående tilkoping til strømnettet.

I tvilstilfeller, ta alltid kontakt med en kvalifisert elektriker.

INNLEDNING

Takk for at du kjøpte dette produktet som har gjennomgått vår omfattende kvalitetssikringsprosess. Alt er gjort for å sikre at produktet leveres i perfekt stand.

SIKKERHETEN FØRST

Før bruk av dette elektroverktøyet bør følgende sikkerhetsmessige forholdsregler tas for å begrense risiko for brann, elektrisk støt og skade på person. Det er viktig å lese brukermanualen for å forstå apparatet, begrensninger og potensielle farer knyttet til dette verktøyet.

GARANTISERTIFIKAT

Dette produktet har en garanti på 2 år, som trer i kraft fra kjøpsdato og gjelder kun opprinnelig kjøper. Denne garantien gjelder bare skader som følge av defekte materialer og/eller utførelsesfeil som kommer for en dag kun i garantiperioden og inkluderer ikke rekvisita. Fabrikanten vil reparere eller bytte produktet etter sitt skjønn, underlagt følgende. At produktet har blitt brukt i henhold til veiledningen beskrevet i produktmanualen og at det ikke har blitt utsatt for misbruk, mishandling eller blitt brukt til noe det ikke er ment for.

At det ikke har blitt demontert eller klusset med på noen som helst måte eller har blitt reparert av uautorisert personell eller har blitt brukt til profesjonelle formål. Transportskader kommer ikke inn under denne garantien, da transportfirmaet er ansvarlig for slik skade. Krav rettet under denne garantien må i første omgang rettes direkte til forhandleren innenfor garantiperioden. Bare under eksepsjonelle forhold bør produktet returneres fabrikant. I slike tilfeller er det forbrukers ansvar å returnere produktet for egen kostnad og forsikre seg om at produktet er forsvarlig pakket for å unngå transportskade, og kort feilbeskrivelse samt kopi av kjøpskvittering eller annet kjøpsbevis må vedlegges. Fabrikanten kan ikke holdes ansvarlig for noen spesiell, eksemplarisk, direkte, indirekte tilfeldig, eller følgetap eller skade under denne garantien. Denne garantien er et tillegg og påvirker ikke noen rettigheter der forbrukeren kan ha hjemmel i kjøpsloven av 1973, med endringer 1975 og 1999.

Elektroverktøyet er kun beregnet til husbruk. Elektroverktøyet passer ikke til og er ikke beregnet for kommersiell eller profesjonell bruk.

Garantien dekker ikke mangler og skader av elektroverktøy for bruk og formål utenom husbruk, spesielt som resultat av dytting gjennom og misbruk.

“Garantien er ugyldig dersom verktøyet er skadet grunnet en av betingelsene nedenfor:

1. Misbruk av produktet eller forsømmelse av ordentlig vedlikehold av produktet,
2. Bruk som er kommersiell, profesjonell eller til utleie,
3. Reparasjon utført av et uautorisert serviceselskap,
4. Skader forårsaket av eksterne gjenstander eller stoffer.”

LOVPÅLAGTE RETTIGHETER

Denne garantien er et tillegg og påvirker på ingen måte dine lovpålagte rettigheter.

DEPONERING AV PRODUKTET

Når dette produktet er utbrukt eller av en eller annen grunn kastes, må det ikke kastes i husholdningsavfallet. For å bevare naturressurser og minske negative miljøkonsekvenser, vær vennlig å resirkulere eller avhende produktet på en miljøvennlig måte. Det bør bringes til en lokal avfallsstasjon eller en annen autorisert innsamlingsinstans for håndtering av avfall.

Hvis du er i tvil, rådfør deg med ditt lokale renovasjonsfirma for informasjon vedrørende tilgjengelig resirkulering og/eller muligheter for avhending.

SPESIFIKKE SIKKERHETSINSTRUKSJONER

Les alle disse instruksjonene før du prøver å bruke produktet, og oppbevar dem for fremtidig referanse.

BLADSIKKERHET

ADVARSEL: Roterende sagblad er svært farlige og kan forårsake alvorlige skader og amputasjoner. Hold alltid fingre og hender til enhver tid minst 150 mm (6”) fra bladet. Ikke prøv å ta saget material før skjærehodet er i hevet posisjon, beskyttelsen er helt lukket og sagbladet har sluttet å rotere. Benytt bare sagblad som er anbefalt av produsenten og som er i samsvar med kravene i EN 847-1.

Ikke benytt sagblad som er skadet eller deformert. Disse kan knuse og forårsake alvorlige skader på operatøren eller andre personer i nærheten.

Ikke benytt sagblad som er produsert av høyhastighetsstål (HSS).

Ikke stopp bladet ved å bruke makt på maskinen eller utøve trykk sideveien.

PERSONLIG VERNEUTSTYR (PV)

Du bør bruke hørselsvern for å redusere risikoen for hørselsskader.

Bruk vernebriller for å unngå skader på øynene, som følge av småbiter som kan fyke fra sagen.

Det anbefales også å beskytte luftveiene siden enkelte treprodukter, særlig MDF-plater, kan avgi støv som kan være helseskadelig. Vi anbefaler at du bruker en godkjent ansiktsmaske med utskiftbare filtre når du bruker denne maskinen, i tillegg til støvavtrekkutstyr.

Benytt hansker når du håndterer blad eller grovt materiale. Det anbefales at sagblad alltid oppbevares i en holder der dette er mulig.

Det anbefales ikke å benytte hansker når du opererer gjærsagen.

SIKKER DRIFT

Pass alltid på at du velger korrekt sagblad for materialet du skal kutte. Ikke bruk denne gjærsagen til å kutte andre materialer enn de spesifisert nedenfor:

Tre

Treprodukter (MDF, sponplater, kryssfiner, hardved osv.)

Aluminium

Bløtt stål (6 mm / 1/4" tykkelse)

Når du transporterer en gjærsag, pass på at skjærehodet er låst i en 90° nedoverposisjon (ved kapp- og gjærsag, pass på at glidestengene er låst). Løft maskinen ved å ta tak ytterst på basen med begge hendene (ved kapp- og gjærsag, benytt medfølgende håndtak).

Maskinen skal under ingen omstendigheter løftes eller transporteres ved å holde i bladbeskyttelsen eller andre deler av driftsmekanismene.

Hold beskyttelsene på plass og i god stand. Mens maskinen er koblet fra strømmettet, sjekker du at beskyttelsen fungerer som den skal.

Senk saghodet slik at bladet er i laveste posisjon, roter forsiktig bladet for hånd for å sikre at det roterer problemfritt.

Gjenta denne prosedyren for alle maksimale gjær- og skråposisjoner før du gjenopptar driften av gjærsagen.

Hold arbeidsbordet og gulvområdet fritt for rester, inkludert sagflis, spon og avkapp.

Hold alltid bladspindel og krager rene.

I tilfeller der det er nødvendig å benytte avstands- eller innleggsringer, må disse være egnet til formålet og bare som anbefalt av produsenten.

Hvis gjærsagen er utstyrt med laser, skal ikke denne erstattes med en annen type. Hvis laseren ikke virker, skal denne repareres eller erstattes av godkjent servicepersonell.

Pass alltid på at den nedsenkede overflaten til bladkragen sitter fint mot overflaten av bladet når du skifter blad.

Pass på at festeskruen for bladet er festet godt med skiftenøklene som følger med. Ikke stram for mye.

Forsøk aldri å plukke opp avkapp eller andre deler av arbeidsstykket før skjærehodet er i en hevet posisjon, bladbeskyttelsen er fullstendig lukket og sagbladet har sluttet å rotere.

Der det er mulig skal alltid arbeidsstykket festes til sagbordet med medfølgende arbeidsklemmer.

Sørg alltid for at gjærsagen er montert i en stabil posisjon før hvert kutt.

Når du kutter lange arbeidsstykker, bruk sagbukker eller arbeidsbenker for å støtte arbeidsstykket, sørg for at alle sikkerhetsklammer er stramme og kontroller at ingen har for mye slark.

ADVARSEL: Bruk av enhver gjærsag kan føre til at fremmedlegemer blir kastet mot øynene dine. Dette kan forårsake alvorlige øyneskader. Benytt alltid vernebriller med sidevern eller heldekkende ansiktsmaske før du tar i bruk elektroverktøy.

ADVARSEL: Ikke benytt gjærsagen hvis det mangler deler. Sagen kan først benyttes når manglende deler er erstattet. Hvis denne regelen ikke etterfølges, kan det føre til alvorlige personskader.

YTTERLIGERE SIKKERHETSINSTRUKSJONER

Enkelte treprodukter, særlig MDF-plater, kan avgi støv som kan være helseskadelig. Vi anbefaler at du bruker en godkjent ansiktsmaske med utskiftbare filtre når du bruker denne maskinen, i tillegg til støvavtrekkutstyr. Sørg for at elektroverktøy er koblet fra strømmettet når de ikke er i bruk, før vedlikehold, smøring eller justering, og ved bytte av tilbehør som blad.

Ikke benytt blad som er deformert eller mangler tenner. Dette er svært farlig og kan føre til alvorlige uhell og skader på operatør og andre personer i nærheten, samt skader på maskinen.

Ikke benytt blad som er større enn spesifisert, benytt bare blad som er godkjent for maskinen. Rotasjonshastigheten (min⁻¹) vist på bladet skal alltid være HØYERE enn rotasjonshastigheten (min⁻¹) til maskinen.

Pass på at retningspilen merket på bladet korresponderer med rotasjonsretningen til motoren. Tennene på bladet skal alltid peke nedover sett fra forsiden av sagen.

Hvis bordinnsatsen blir skadet eller slitt, må den erstattes med en identisk tilgjengelig fra produsenten som beskrevet i denne håndboken.

La bladet nå full hastighet og la det kjør noen sekunder, før du begynner å kutte. Hvis du hører uvanlige lyder eller vibrasjoner, STOPP maskinen med en gang og finn ut hva årsaken til ulyden er.

Prøv aldri å kutte på frihånd. Pass alltid på at arbeidsstykket er trykket sikkert mot bakre gjerde og støttes mot bordet.

Pass på at arbeidsstykket som kappes av har nok plass til å bevege seg sideveien. Hvis ikke dette overholdes, kan avkappet presse mot bladet.

Hvis ikke arbeidsstykket kan holdes sikkert for hånd, benytt jiggen eller klemmer for å holde det på plass under kutting.

Sørg for at runde eller irregulære stykker holdes sikkert, slik at de ikke kan bevege eller vri seg og klemme bladet.

Kutt aldri mer enn ett stykke om gangen.

Kutt aldri stykker som er for små til å bli holdt sikkert mot bakre gjerde med tommelen og pekefingeren.

Bruk bare blad som er anbefalt av produsenten.

Ikke start opp maskinen mens bladet er i kontakt med arbeidsstykket.

Kontroller arbeidsstykket for eventuelle utstikkende spikre, skruehoder eller annet som kan skade bladet.

Ikke forsøk å modifisere maskinen eller tilbehøret på noen måte.

Ikke bruk overdreven makt når du mater arbeidsstykket mot bladet.

Ved å mate arbeidsstykket gradvis reduseres slitasjen på maskinen og bladet samtidig som effektiviteten og levetiden økes.

Ikke bruk sagen uten beskyttelsen på plass.

Bytt ut bordinnsatsen når den er slitt.

Ikke bruk sagen til å kutte annet material enn aluminium, tre og lignende materialer.

Benytt en støvsamler når du sager.

Velg sagblad i henhold til materialet som skal kuttet.

Vær forsiktig ved slotting.

ADVARSEL! IKKE FORSØK Å KUTTE MATERIALER SOM ER STØRRE ENN MAKSIMAL KUTTEKAPASITET.

YTTERLIGERE SIKKERHETSÅD VED BÆRING AV GJÆRSAGEN

Selv om denne gjærsgen er kompakt, er den tung. For å redusere risikoen for ryggskader, få kompetent hjelp når du må løfte sagen.

For å redusere risikoen for ryggskader, hold verktøyet nær kroppen når du løfter. Bøy knærne slik at du kan løfte med beina og ikke ryggen. Løft ved å bruke de håndholdte områdene på hver side av maskinbasen.

Bær aldri gjærsgen etter strømlodningen. Bæres gjærsgen etter strømlodningen kan dette føre til skader på isoleringen av ledningstilkobingene som kan

føre til elektrisk støt eller brann.

Før gjærsgen flyttes skal låseskruene for gjærsgen, skråstilling og sleden strammes for å hindre uventede bevegelser.

Lås skjærehodet i laveste posisjon. Pass på at låsepinnen for skjærehodet er helt på plass.

ADVARSEL: Ikke bruk bladbeskyttelsen til å løfte etter. Strømlodningen må fjernes fra stikkkontakten før maskinen flyttes.

SIKKERHETSREGLER FOR LASERLYS

Laserlampen/laserstrålingen som brukes er klasse 2 med en kraft på maksimalt 1mW og bølgelengder på 650 nm.

Laserne er i utgangspunktet ikke farlig for synet, men hvis du stirrer på strålen, kan du oppleve redusert syn i en kortere periode.

ADVARSEL. Ikke stirr direkte på laserstrålen. Hvis du stirrer rett inn i strålen med vilje, kan dette utgjøre en risiko. Vennligst følg disse sikkerhetsreglene:

Laseren skal brukes og vedlikeholdes i samsvar med produsentens instruksjoner.

Sikt aldri strålen på personer eller objekter annet enn arbeidsstykket.

Laserstrålen skal ikke siktes mot personer med vilje, og den skal ikke rettes mot øynene til en person lenger enn 0,25 sek.

Sørg alltid for at laserstrålen er rettet mot et arbeidsstykke uten reflekterende overflater, tre eller overflater med grovt belegget er f.eks. akseptable.

Skinnende og reflekterende stålfalter eller liknende, er ikke egnet for laserbruk, siden den reflekterende overflaten kan rette strålen tilbake mot operatøren.

Ikke bytt ut laserlysmonteringen med en annen type. Reparasjoner skal utføres av laserprodusenten eller godkjent personell.

GENERELLE SIKKERHETSREGLER

ADVARSEL! Les alle instruksjonene. Mangel på å følge alle instruksjonene listet opp nedenfor kan resultere i elektrisk støt, brann og/eller alvorlig skade. Uttrykket "elektroverktøy" i alle advarslene listet opp nedenfor, refererer til ditt strømdrevne (med kabel) elektroverktøy eller batteridrevne (kabelfrie) elektroverktøy.

TA VARE PÅ DISSE INSTRUKSENE

1) ARBEIDSSOMRÅDE

- a) Hold arbeidsområdet rent og godt belyst. Rotete og mørke steder kan føre til ulykker.
- b) Ikke bruk elektroverktøy i eksplosive miljø, som i nærheten av brennbare væsker, gasser eller støv. Elektroverktøy lager gnister som kan antenne støv eller røyk.

- c) Hold barn og tilskuere på avstand ved bruk av elektroverktøyet. Distraksjoner kan føre til at du mister kontroll.

2) ELEKTRISK SIKKERHET

- a) Elektroverktøyets støpsel må passe til strømuttaket. Modifiser aldri støpselet på noen som helst måte. Ikke bruk adapter med jordede elektroverktøy. Umodifiserte støpsler og samstemmende uttak reduserer risikoen for elektrisk støt.
- b) Unngå kroppskontakt med jordede elementer som rør, radiatorer, komfyrer og kjøleskap. Det er større fare for elektrisk støt hvis kroppen din er jordet.
- c) Ikke utsett elektroverktøy for regn eller fuktige forhold. Vann i elektroverktøyet vil øke faren for elektrisk støt.
- d) Ikke misbruk ledningen. Bruk aldri ledningen til å bære, dra eller koble fra elektroverktøyet. Hold ledningen unna varme, olje, skarpe kanter eller bevegelige deler.
- e) Ved bruk av elektroverktøy utendørs, bruk en skjøteledning beregnet for utendørs bruk. Bruk av ledning beregnet for bruk ute reduserer risikoen for elektrisk støt.

3) PERSONLIG SIKKERHET

- a) Vær årvåken, se hva du gjør og bruk sunn fornuft ved bruk av et elektroverktøy. Ikke bruk et elektroverktøy når du er trøtt eller under påvirkning av narkotika, alkohol eller medikamenter. Et øyeblikks uoppmerksomhet ved bruk av elektroverktøy kan resultere i alvorlig personskade.
- b) Bruk sikkerhetsutstyr. Bruk alltid vern for øynene. Sikkerhetsutstyr som støvmaske, sklisliske vernesko, hjelm eller hørselsvern for passende forhold, vil redusere personskade.
- c) Unngå utilsiktet start. Forsikre deg om at bryteren er i off-posisjon før tikobling. Å bære elektroverktøy med fingeren på bryteren eller å koble til elektroverktøy med bryteren på, forårsaker ulykker.
- d) Fjern eventuell justeringsnøkkel eller fastnøkkel før elektroverktøyet slås på. En fastnøkkel eller nøkkel som er igjen på en roterende del av elektroverktøyet kan resultere i personskade.
- e) Ikke overvurder. Behold en stødig stilling og balanse til enhver tid. Dette gir bedre kontroll over elektroverktøyet i uventede situasjoner.
- f) Kle deg riktig. Ha ikke på løs bekledning eller smykker. Hold hår, klær og hansker borte fra bevegelige deler.
- g) Hvis enheter er utstyrt med tilkobling for støvavsug og oppsamling, forsikre deg om at disse er koblet til og riktig brukt. Bruken av disse enhetene kan redusere støvrelaterte skader.

4) BRUK OG PLEIE AV ELEKTROVERKTØY

- a) Ikke tving elektroverktøyet. Bruk det korrekte elektroverktøyet for arbeidet. Det korrekte elektroverktøyet vil gjøre en bedre og sikrere jobb for det som det var laget for.
- b) Ikke bruk elektroverktøyet dersom det ikke slås på eller av med bryteren. Et elektroverktøy som ikke kan styres med bryteren er farlig og må repareres.
- c) Koble fra støpselet fra strømkilden før det gjøres justeringer, skifter deler eller før oppbevaring. Slike preventive sikkerhetstiltak minsker risikoen for utilsiktet start av elektroverktøyet.
- d) Oppbevar inaktive elektroverktøy utenfor barns rekkevidde og ikke tillat personer som ikke har kjennskap til elektroverktøyet eller disse instruksene å bruke elektroverktøyet. Elektroverktøy er farlig i hendene på utrente brukere.
- e) Vedlikehold elektroverktøy. Sjekk for misforhold i bevegelige deler, brudd i deler og andre ting som kan påvirke elektroverktøyet funksjon. Få elektroverktøyet reparert hvis det er ødelagt. Mange ulykker er forårsaket av dårlig vedlikeholdte elektroverktøy.
- f) Hold skjæreverktøy skarpe og rene. Ordentlig vedlikeholdt skjæreverktøy med skarpe kniver har mindre sjanse for å henge seg opp og er lettere å kontrollere.
- g) Bruk elektroverktøyet, tilbehør og bits etc., i henhold til disse instruksene og på en måte som er ment for det bestemte elektroverktøyet, med tanke på arbeidsforhold og arbeidet som skal utføres. Bruk av elektroverktøyet for annet bruk enn det det er ment for kan resultere i en farlig situasjon.

5) SERVICE

- a) La kvalifisert personell utføre service på ditt elektroverktøy, bruk bare identiske utskiftbare deler. Dette vil sikre at elektroverktøyet sikkerhet blir ivaretatt.

KOMPONENTER OG KONTROLLER (FIG. 1 & 1A)

1.	Støvpose
2.	Støvavtrekkspor
3.	Øvre faste bladbeskyttelse
4.	Låsespak
5.	Håndtak
6.	Beskyttelse for roterende blad
7.	Hullplassering (2 sett) for sidestøttestenger
8.	Bordinnsats (slisseplate)
9.	Låsehåndtak for gjæring
10.	Utløser for gjæringslås
11.	6 mm unbrakonøkkel
12.	Sideutvidelsesarm (venstre)
13.	Sideutvidelsesarm (høyre)
14.	Klemmemontering
15.	Låseskru for sidestøttestang
16.	Bordgjerde
17.	Glidestenger
18.	Gjæringsbord
19.	Gjæringskala
20.	Utløserbryter på/av
21.	Justeringsskru for dybdecutting
22.	Glidelåseknapp
23.	Skråstillingslås
24.	0° justeringsskrue for skråstilling
25.	Låseskru (x2) for klemmemontering
26.	Utløserknapp
27.	Låsemutter for dybdecutting
28.	Skråstillingskala
29.	Spindellåseknapp

UTPAKKING

NB! Emballasjen inneholder spisse gjenstander. Vær forsiktig når du pakker ut innholdet. Ta apparatet og det medfølgende tilbehøret ut av emballasjen. Kontroller at apparatet er i god stand og se etter at alt tilbehøret som er nevnt i denne håndboken følger med. Sjekk at alt av tilbehør er komplett. Hvis én eller flere deler mangler, må både apparatet og alt tilbehøret returneres til forhandleren i originalemballasjen.

Kast ikke emballasjen, men ta vare på den gjennom hele garantiperioden. Etter garantiperiodens utløp bør

du om mulig resirkulere emballasjen eller kaste den på en annen forsvarlig måte. Barn må ikke få leke med tomme plastposer da dette kan medføre kvelningsfare.

TILBEHØR

Bruk bare ekte reservedeler tilpasset hastigheten og monteringen for elektroverktøyet.

FXAJ1G-ZP8-210C har følgende tilbehør:

- Blad med 48 tenner (montert)
- Støvpose
- Arbeidsklemme
- Sideutvidelsesarmer (x2)
- 6 mm unbrakonøkkel for sagblad

MONTERING

Merk: Før du begynner å montere eller demontere enheten, må du forsikre deg om at den ikke er koblet til strømuttaket.

TRANSPORT (FIG. 2)

Gjæringsagen skal bare løftes hvis sagarmen er låst i nedre posisjon, sagen er slått av og støpselet er fjernet fra stikkontakten. Du kan bare løfte sagen etter rammen. Ikke løft sagen etter beskyttelsene.

BENKMONTERING (FIG. 3)

Sagbasen har fire monteringshull for montering på benk. Monter sagen på en jevn, horisontal benk eller et arbeidsbord ved bruk av bolter (følger ikke med) gjennom monteringshullene i sagbasen.

MERK. Hvis du ønsker, kan du montere sagen på et stykke kryssfiner som er minst 8 mm tykt, som så kan festes til arbeidsbordet med klemmer, eller flyttes til andre arbeidssted for så å festes med klemmer igjen.

NB: Pass på at monteringsoverflaten ikke er bøyd, siden en ujevn overflate kan føre til press mot sagbladet og unøyaktige kutt.

SIDEUTVIDELSE SARMER (FIG. 4)

Før støttene inn i hullene på siden av basen. Stram til låseskruen til sidestøttestangen for å feste utvidelsesarmene godt, (fig. 4).

MERK: Låseskruen til sidestøttestangen må festes godt før arbeidsstykket legges på sagen.

STØVPOSE (FIG. 5)

Støvposen passer inn i porten for støvavtrekk. Klem de to metalltappene på enden av støvposten så den kan gli over støvavtrekkspor.

For effektiv drift bør støvposen tømmes mens den ikke er mer enn halvfull.

Dette tillater bedre luftstrøm gjennom posen. Et støvavtrekkssystem kan også kobles til støvavtrekkspor for et renere og tryggere arbeidsområde.

MONTERING AV FESTEKLEMME (FIG. 6)

To sokler (en på hver side) er bygget inn i baksiden av maskingjerdet. Disse soklene er for å plassere klemmemonteringen.

Fest klemmen til den sokkelen som best passer kappingen som skal utføres, og pass på at den er presset helt ned.

Bruk et skrujern, og stram til låseskruen for klemmemontering for å låse pålen for klemmen inn i gjerdesokkelen, fig. 6.

Plasser arbeidsstykket som skal kuttes på sagbordet mot gjerdet og i ønsket posisjon.

Juster klemmen med tommelskruene og håndhjulet slik at den holder arbeidsstykket trygt mot sagbordet.

Utfør et «prøvekapp» uten strømmen tilkoblet. Pass på at klemmen ikke kommer i veien for bladbanen eller banen til andre deler av kuttehodet mens det senkes.

SETTE BORDET VINKELRETT MED BLADET

Pass på at strømkabelen er trukket ut av stikkkontakten.

Skyv sagarmen ned til laveste posisjon, fig. 7, og trykk på utløserknappen for å holde sagarmen i transportstilling, fig. 8.

Plasser låsehåndtaket for gjæring (fig. 9).

Roter bordet til pekeren er plassert ved 0°. Stram låsehåndtaket for gjæring. (fig. 10)

Løsne skråstillingslåsen og sett skråstillingen til sagarmen til 0° (bladet ved 90° i forhold til gjæringsbordet). (fig. 11)

Stram skråstillingslåsen, fig. 12.

Plasser et sett vinkelrett mot bordet og den flate delen av bladet (fig. 13).

MERK. Pass på at den vinkelrette siden har kontakt med den flate delen av bladet, ikke tennene. Roter bladet for hånd og kontroller justeringen mellom bladet og bordet ved flere punkter. Kanten på den vinkelrette siden og sagbladet skal være parallelle.

Hvis sagbladet har en vinkel bort fra den vinkelrette siden, juster på følgende måte:

Løsne skråstillingslåsen (fig. 15)

Bruk en 10 mm fastnøkkel eller en justerbar skiftenøkkel til å justere låsemutteren (fig. 16), og forsikre deg om at kanten på den vinkelrette siden er parallell med sagbladet.

Stram til skråstillingslåsen.

Løsne skruen som holder pekeren til skråstillingsskalaen og juster posisjonen til pekeren slik at den korrekt viser nullpunktet på skalaen. Stram til skruen igjen, fig. 17.

Stram til skråstillingslåsen og låsemutteren som holder 0° skråstillingsskruen.

MERK. Prosedyren beskrevet ovenfor kan også benyttes til å kontrollere vinkelen til sagbladet i forhold til bordet ved en skråstilling på 45°. Justeringsskruen for 45° skråstilling befinner seg på motsatt side av sagarmen.

JUSTERING AV DYBDEKUTTING

I normal posisjon hindrer dybdestoppet at sagbladet kutter helt gjennom et arbeidsstykke.

For å justere dybdestoppet, trekk ut låseknappen og hev sagarmen helt opp (fig. 18)

Når sagarmen er hevet, kan dybdestoppet justeres slik at justeringsskruen for dybden får kontakt med stoppet ved senking av sagarmen.

Juster stoppet ved å flytte det utover, fig. 19. Hvis dybdestoppet ikke flytter seg, kan du løsne lett på skruen med et stjerneskrudjern.

Dette begrenser kuttet til et «spor» i arbeidsstykket.

Dybden på sporet kan justeres med justeringsskruen for dybden og låses i posisjon med låsemutteren for dybdeinnstillingen (fig. 20).

BRUK

For å slå på sagen, flytt låsespaken til venstre (Fig. 21) og trykk og hold inne av/på-bryteren (fig. 22).

Når bladet har maksimal hastighet (omtrent 2 sekunder), senkes bladet gjennom arbeidsstykket (fig. 23). Etter at kuttet er fullført, slipper du aktiveringsbryteren og lar sagbladet stoppe før du hever bladet opp fra arbeidsstykket. Vent til bladet stopper før du fjerner arbeidsstykket.

KRYSSKAPPING (UTEN GLIDEFUNKSJON)

For å sage smale trestykker er ikke glidefunksjonen nødvendig. Sikre i slike tilfeller av låsen for gliding er skruet ned for å hindre sagarmen fra å gli, fig. 24.

Ett krysskutt lages ved å kutte på tvers av fibre til arbeidsstykket. Et 90° krysskutt utføres med gjæringsbordet ved 0°. Gjærkrysskutt lages med bordet satt til en vinkel som ikke er null.

Trekk i utløserknappen og løft sagarmen til full høyde.

Løsne gjæringslåsen. Roter gjæringsbordet til pekeren viser ønsket vinkel. Stram gjæringslåsen igjen.

ADVARSEL. Pass på at du strammer gjæringslåsen før du kutter. Hvis dette ikke utføres, kan bordet flytte seg under kuttet og forårsake alvorlige personskader.

Plasser arbeidsstykket flatt på bordet med en kantside sikret mot gjerdet. Hvis planken er bøyd, plasseres den konvekse siden mot gjerdet. Hvis den konkave siden plasseres mot gjerdet, kan planken brette eller klemme fast bladet.

Når du kutter lange stykker med tømmer må du støtte de overhengende endene av tømmeret med sideutvidelsesarmene, en sagbukk eller en benk som er på høyde med sagbordet.

Bruk alltid klemmemonteringen for å sikre arbeidsstykket når dette er mulig.

Det er mulig å fjerne klemmemonteringen ved å løsne låsen for klemmemonteringen og flytte klemmen til andre siden av bordet. Pass på at låsen for klemmemonteringen er låst ordentlig før du benytter klemmen. Utfør en prøvegjennomgang av kuttet for å sikre at det ikke oppstår noen problemer, før du slår på sagen.

Hold godt tak i håndtaket og trykk på aktiveringsbryteren. La bladet nå maksimal hastighet.

Trykk på utløseren og senk bladet sakte ned mot og gjennom arbeidsstykket.

Slipp aktiveringsbryteren og la sagbladet stoppe, før du hever bladet opp fra arbeidsstykket. Vent til bladet stopper før du fjerner arbeidsstykket.

KRYSSKAPPING (MED GLIDEFUNKSJON)

Når du skal kappe brede arbeidsstykker, skrur du først ut glidelåsen, fig. 24.

Trekk i utløserknappen, løft sagarmen til den høyeste posisjonen og trekk dem mot deg.

Hold godt tak i håndtaket og trykk på aktiveringsbryteren. La bladet nå maksimal hastighet. Trykk på utløseren og senk bladet langsomt ned i arbeidsstykket og skyv fra deg til arbeidsstykket er kappet.

Slipp aktiveringsbryteren og la sagbladet stoppe, før du hever bladet opp fra arbeidsstykket.

Vent til bladet stopper før du fjerner arbeidsstykket.

SKRÅKAPPING

Et skråkapp utføres ved å kappe på tvers av fibre til arbeidsstykket med bladet vinklet i forhold til gjerdet og gjæringsbordet. Gjæringsbordet stilles i null graders posisjonen og bladet stilles til en vinkel på mellom 0° og 45° til venstre, fig. 25.

Gjenta trinnene for krysskapping (med eller uten glidefunksjon).

Løsne låsen for skråstillingen og flytt sagarmen mot venstre til ønsket skråvinkel (mellom 0° and 45°).

Stram skråstillingslåsen.

ADVARSEL: Sørg alltid for at skråstillingslåsen er fullstendig låst før du kutter.

GJÆRKAPPING MED FLERE VINKLER

Når du skal kutte i flere vinkler, bruker du en gjærvinkel og en skråvinkel samtidig.

Teknikken brukes for å lage bilderammer, skjære ut former, lage bokser med skrånende sider og for takammer.

Utfør alltid et testkutt på restmateriale før du kutter i det reelle arbeidsstykket.

Benytt glidefunksjonen når du kutter brede arbeidsstykker.

VEDLIKEHOLD

BYTTE BLAD

FARE: Bladet er ekstremt skarpt og må håndteres med varsomhet. Forsøk aldri å bruke et blad som er større enn kapasiteten til sagen. Det kan komme i kontakt med bladbeskyttelsen. Bruk aldri et blad som er for tykt til at den ytre bladskiven kommer i kontakt med flatene på spindelen.

Dette vil hindre bladbolten fra å sikre bladet ordentlig på spindelen.

Ikke bruk sagen til å kutte metall eller mur.

Pass på at eventuelle avstands- og spindelringer som brukes passer til spindelen og bladet som benyttes.

Pass på at strømkabelen er trukket ut av stikkkontakten.

Trykk håndtaket ned og trekk i utløserknappen for å koble ut sagarmen.

Utløserknappen kan dreies slik at den forblir i inntrykket posisjon.

Hev sagarmen til høyeste posisjon.

Roter den nedre bladbeskyttelsen (fig. 26) opp og inn i den øvre bladbeskyttelsen, og trykk inn spindellåseknappen (fig. 27). Roter bladet til spindelen låser.

Benytt en 6 mm unbrakonøkkel for å fjerne bladbolten (fig. 28). (Løsne i retning mot klokka siden bladskruen har venstrevridde gjenger).

Fjern skiven, ytre bladflens og bladet.

Drypp en dråpe olje på de indre og ytre skivene til bladet der de kommer i kontakt med bladet.

Fest det nye bladet på spindelen, og pass på at den indre skiven til bladet sitter bak bladet.

NB: For å sikre at bladet roterer korrekt må alltid bladet installeres med tennene og pekepilen på siden av bladet pekende ned (fig. 28).

Retningen for bladrotasjonen er også stemplet med en pil på den øvre bladbeskyttelsen.

Sett på igjen den ytre bladskiven.

Trykk inn spindellåseknappen og sett på bladbolten.

Bruk unbrakonøkkel på 6 mm for å stramme bladskruen igjen (mot klokken).

Kontroller at bladbeskyttelsen fungerer korrekt og dekker bladet når sagarmen senkes.

Koble sagen til strømmettet og kjør sagen for å forsikre deg om at den fungerer korrekt.

Merk: Kontroller tilstrammingen av bladbolten før, under og etter hver bruk.

VEDLIKEHOLD

Hold luftventilene til verktøyet åpne og rene til enhver tid.

Kontroller regelmessig om støv eller fremmedlegemer har kommet inn i grillen nær motoren og rundt aktiveringsbryteren. Bruk en myk børste for å fjerne oppsamlet støv. Benytt vernebriller for å beskytte øynene mens du rengjør verktøyet.

Smør alle bevegelige deler med jevne mellomrom.

Hvis sagbasen trenger renhold, tørk den ren med en myk og fuktig klut. Et mildt vaskemiddel kan også benyttes, men ikke noe med alkohol, bensin eller andre rengjøringsmidler.

Bruk aldri kaustiske væsker for å rengjøre plastdeler.

NB: Vann skal aldri komme i kontakt med sagen.

GENERELL INSPEKSJON

Kontroller regelmessig at alle festeskruene er tilstrekkelig strammet. Kontroller spesielt den ytre flensen. Hvis sagen vibrerer, kan skruene løsne over tid.

Kontroller regelmessig alle enhetens strømkabler og alle skjøteledninger som benyttes, for skader. Hvis en strømkabel må repareres, skal dette utføres av produsenten eller godkjent personell for å unngå sikkerhetsrisikoer. Bytt ut skjøteledninger med skader.

TEKNISKE SPESIFIKASJONER

Spenning	230 V~50 Hz
Nominell inngangseffekt	1500W
Hastighet uten belastning	4500 min ⁻¹
Diameter for sagblad	Ø210 mm
Tenner	48 HW
Diameter for bladspindel	Ø 30 mm
Vinkel for gjærbord	-45°/0°/+45°
Skråvinkler	45° mot venstre
Rett kapp ved 0° x 0°	305 og 70 mm
Gjærkapp ved 45° x 0°	215 og 70 mm
Skråkapp ved 0° x 45°	305 og 35 mm
Kombinert gjærkapp ved 45° x 45°	215 og 35 mm
Vekt	11,0 kg

DATA FOR STØY OG VIBRASJON

A-vektet lydtrykk: L_{pA} 93,6 dB(A)

A-vektet lydeffekt: L_{WA} 106,6 dB (A)

Usikkerhet, K, i m/s² K=3 dB(A)

SYMBOLER

Merkeplaten på verktøyet ditt kan inneholde en del symboler. Disse representerer viktig informasjon om produktet eller instruksjoner om bruken av det.



Bruk hørselsvern.
Bruk øyevern.
Bruk åndedrettsvern.



Produktet er i samsvar med relevante sikkerhetsstandarder.



Dobbeltisolert for ekstra beskyttelse.



Les instruksjonshåndboken.



Farlig spenning.



Kuttfare.



Fare! Trefliser kan bli slynget ut i luften under saging.



Maskinen må **ALDRI** rengjøres, smøres eller repareres mens den er i gang.



Produktet er i samsvar med RoH-kravene.



Generell advarsel



Elektrisk avfall må ikke kastes sammen med husholdningsavfall. Lever det inn til gjenvinning der dette er mulig. Kontakt de lokale myndighetene eller forhandleren din for å få informasjon om resirkulering.



IKKE rør bladet mens det er i bevegelse.



IKKE kom nær maskinen med løstsittende klesplagg.



Beskytt maskinen mot uvær.



IKKE fjern verneskjermer eller sikkerhetsinnretninger mens maskinen er i bruk.

MILJØVERN

Informasjon for (private husholdninger) for miljømessig forsvarlig avhending av Avfall Elektrisk og Elektronisk Utstyr (Waste Electrical and Electronic Equipment) (WEEE)



Dette symbolet på produkter og/eller medfølgende dokumenter angir at brukt og utbrukt elektrisk og elektronisk utstyr ikke må kastes i husholdningsavfallet. For korrekt avhending, behandling, gjenbruk og resirkulering, vær vennlig å ta disse produktene til dedikerte oppsamlingspunkt, der de vil bli mottatt uten kostnad. Alternativt kan en i noen land ha mulighet til å returnere produktet til forhandler mot kjøp av et nytt tilsvarende produkt. Korrekt avhending av dette produktet vil bidra til å ivareta viktige ressurser og hindre potensielle negative effekter på menneskelig helse og miljøet, noe som kan oppstå ved feil avfallshåndtering og -behandling. Vær vennlig å kontakte lokal myndighet for flere detaljer om

ditt nærmeste oppsamlingspunkt. Straff kan påregnes for feil avhending av dette avfallet, i henhold til nasjonal lovgivning.

FOR BEDRIFTER INNENFOR EU.

Hvis du ønsker å kaste elektrisk og elektronisk utstyr, vær vennlig å kontakte din forhandler eller leverandør for mer informasjon.

Informasjon for avhending i andre land utenfor EU.

Dette symbolet er kun gyldig innenfor EU.

Hvis du ønsker å kaste dette produktet, kontakt dine lokale myndigheter eller forhandler og be om den korrekte måten for avhending.

ELEKTRIANDMED

TÄHTIS

Sellel tootel on plombeeritud elektripistik, mis vastab seadmele ja teie riigi elektrivoolu süsteemile ning on kooskõlas rahvusvaheliste normatiivide nõudmistega.

Seade tuleb ühendada toitepingega, mis on võrdne tehnilises tabelis näidatuga. Kui pistik ja toitejuhe on rikutega, tuleb need asendada detailidega, mis on identsed originaalile.

Pidage alati kinni oma riigi määrustest elektrivõrku lülitamise kohta.

Juhul, kui Teil tekib kahtlusi, pöörduge kvalifitseeritud elektriiku poole.

SISSEJUHATUS

Täname, et soetasite selle toote, mis on läbinud meie põhjaliku kvaliteedikontrolli. Oleme teinud kõik endast oleneva, et toode jõuaks teieni ideaalses seisukorras.

OHUTUS ON KÕIGE OLULISEM

Enne nurgasae kasutamist tutvuge allpool loetletud põhiliste ohutusnõuetega, mis aitavad vähendada tulekahju-, elektrilöögi- ja vigastuseohtu.

Selleks et mõista seadme talitlust, kasutuspiiranguid ja tööriistaga seonduvaid võimalikke ohtusid, lugege kasutusjuhend hoolikalt läbi.

TOOTE KÕRVALDAMINE KASUTUSEST

Kui toode on muutunud kasutuskõlbmatuks või kui see kõrvaldatakse kasutusest mingil muul põhjusel, ei tohi toodet ladustada tavaliste olmejäätmete hulka. Loodusressursside hoidmiseks ja negatiivse keskkonnamõju vähendamiseks võimaldage toote taaskasutamine või kõrvaldage see kasutusest keskkonnasäästlikul viisil. Viige toode kohaliku jäätmekäitluskeskusesse või mõnda muusse volitatud kogumis- või jäätmekäitluspunkti.

Kahtluste korral pöörduge kohaliku omavalitsuse poole, kust saate lisateavet taaskasutuse ja/või kasutusest kõrvaldamise erinevatest võimalustest

See elektritööriist on mõeldud ainult koduseks kasutamiseks. Elektritööriist ei ole ette nähtud ega sobi ärialaseks ega professionaalseks kasutamiseks.

Garantii ei kata elektritööriista defekte ja kahjustusi, mis on tekkinud selle kasutamisel muuks otstarbeks, kui kodune kasutamine, eriti läbisurumise ja väärkasutuse tõttu.

„Garantii kaotab kehtivuse, kui tööriista on kahjustatud mõne alljärgneva teguri tõttu:

- 1) toote väärkasutus või hoolimatus toote korraliku hooldamise suhtes;
- 2) toote ärialane, professionaalne või rendikasutus;
- 3) toote parandamine volitamata teenindustevõtte poolt;
- 4) väliste esemete või ainete tekitatud kahjustused.“

SPETSIAALSSED OHUTUSJUHISED

Enne toote kasutamist lugege kogu juhend läbi ning säilitage juhendit kindlas kohas.

TERADEGA SEOTUD OHUTUSNÕUDED

HOIATUS: Pöörlevad saekettad on väga ohtlikud ja võivad põhjustada tõsiseid vigastusi ning

amputeerimist. Hoidke sõrmed ja käed kettast igal ajahetkel vähemalt 150 mm kaugusel. Ärge kunagi üritage eemaldada saetud materjali enne, kui löikepea on tõstetud asendis, kaitse on täielikult suletud ning saeketas on lõpetanud pöörlemise. Kasutage ainult tarnija soovitatavaid saekettaid, mis on heas seisukorras ja ühtivad EN 847-1 standardi nõuetega.

Ärge kasutage saekettaid, mis on kahjustatud või deformeerunud, kuna nad võivad katki minna ja kasutajat ning kõrvalseisjaid tõsiselt vigastada.

Ärge kasutage kiirlõiketerasest (HSS) valmistatud saekettaid.

Ärge peatage terasid seadmele jõudu avaldades või külgsuunas survet avaldades.

Ärge kasutage löikekettad, mis on deformeerunud või millel puuduvad hambad. See on väga ohtlik ning võib põhjustada tõsise õnnetuse kasutajale või kõrvalseisjatele ning kahjustada masinat.

Ärge kasutage löikekettad, mis on nõutust suuremad, kasutage ainult sellele seadmele mõeldud löikekettad. Kettal näidatud pöörlemiskiirus (min⁻¹) peaks alati olema SUUREM kui seadmel näidatud pöörlemiskiirus (min⁻¹).

Veenduge, et löikekettale märgitud nool vastab mootori pöörlemissuunale. Ketta hambad peaksid olema sae esiosa poolt vaadatuna alati alla suunatud.

Kui laua vahetükk saab viga või kulub, tuleb see asendada identse vahetükiga, mida saab tootjalt, nagu kasutusjuhendis kirjas.

ISIKUKAITSEVAHENDID (PPE)

Kuulmiskahjustuste vältimiseks tuleks kasutada kõrvaklappe.

Saest väljalendavatest laastudest põhjustatud nägemiskahjustuste vältimiseks tuleks kanda kaitseprille.

Mõnede puitude ja puidu tüüpi materjalide, eriti MDFi (keskmise tihedusega puitkiudplaat) puhul on soovitatav kasutada ka hingamiskaitset, kuna need võivad tekitada tolmu, mis võib tervisele ohtlik olla. Soovitame seadme kasutamise ajal tarvitada nõuetekohast asendatavate filtritega näomaski lisaks tolmu eemaldussüsteemi kasutamisele.

Saeketaste või karedate materjalide käsitlemise ajal tuleks kanda kindaid. Võimalusel tuleks saekettaid kanda ümbrises.

Nurgasae kasutamise ajal ei ole soovituslik kanda kindaid.

OHUTU KÄITUS

Veenduge alati, et olete lõigatava materjali jaoks valinud õige saeketta. Ärge kasutage nurgasaagi teiste materjalide lõikamiseks peale alltoodute.

Puit

Puidust valmistatud tooted (MDF, puitlaastplaat, vineer, vineerkattega puitliistplaat, kõvapuutkiudplaat jne).

Alumiinium

Madalsüsinikteras (6 mm paksusega).

Nurgasae transportimise ajal veenduge, et lõikepea on lukustatud 90° allasuunatud asendisse (liigutatava nurgasae puhul veenduge, et liugvardad oleksid lukustatud). Tõstke seadet, hoides aluse välimistest servadest kahe käega ringi (liigutatava nurgasae puhul kasutage kaasasolevaid käepidemeid).

Mitte mingil juhul ei tohi seadet tõsta ülestõstetavast kaitsmest või mistahes selle käitismehhanismi osast.

Hoidke kaitsmeid paigas ja heas töökorras. Kui seade on elektrivõrgust lahti ühendatud, kontrollige kaitsme toimimist veendumaks, et see töötab korralikult.

Langetage saepea nii, et ketas on kõige madalamas asendis ning pöörake käsitsi ettevaatlikult ketast veendumaks, et sellel puuduvad takistused.

Enne nurgasaaga töö alustamist korrake seda protseduuri kõigis nurga- ja diagonaallõikeasendites.

Hoidke tööpink ja pörand puhtana prahist, sealhulgas saepurust, laastudest ja lõikejääkidest.

Hoidke kettakinnitusvõlli ja ümbrisevõrusid alati puhtana.

Kui peate kasutama vahelihvikuid või vähendusrõngaid, peavad need vastama kasutuseesmärgile ning neid tohib kasutada ainult tootja soovitatud viisil.

Kui nurgasael on laser, ei tohi seda teist tüüpi laseriga asendada. Kui laser ei tööta, peab seda remontima või selle asendama volitatud hooldusettevõtte.

Ketaste asendamisel veenduge, et ketta ümbrisevõru süvistatud pind oleks tihedalt ketta pinna vastas.

Veenduge, et ketta kinnituspolt on kaasasolevaid mutrivõtmeid kasutades tugevalt kinnitatud. Ärge neid üle pingutage.

Ärge kunagi üritage eemaldada lõikejääke või muid töödeldava detaili osi enne, kui lõikepea on tõstetud asendis, kaitse on täielikult suletud ning saeketas on lõpetanud pöörlemise.

Võimalusel kinnitage alati töödeldav detail kaasasolevaid tööklambreid kasutades saelaua külge.

Veenduge alati enne igat lõiget, et nurgasaag on paigaldatud stabiilsesse asendisse.

Pikkade töödeldavate detailide saagimisel kasutage saagimispukke või tööpinke, et töödeldavat detaili toetada, veenduge, et kõik kinnitusklambrid oleksid kinni ja kontrollige, et poleks liigset lõtku.

HOIATUS: nurgasae mistahes kasutamise tagajärjel võivad teie silmade suunas lennata võõrkehad, mis võivad põhjustada silmakahjustusi. Enne elektrilise tööriistaga töö alustamist kandke alati kaitseprille, küljekaitsemega kaitseprille või vajadusel täielikku näokaitset.

HOIATUS: kui mõni komponent on puudu, ärge kasutage oma nurgasaagi enne, kui puuduolevad komponendid asendatakse. Vastasel korral võivad tekkida tõsised vigastused.

TÄIENDAVID OHUTUSJUHISED

Mõned puidud ja puidu tüüpi materjalid, eriti MDF (keskmise tihedusega puitkiudplaat) võivad tekitada tolmu, mis võib tervisele ohtlik olla. Soovitame seadme kasutamise ajal tarvitada nõuetekohast asendatavate filtritega näomaski lisaks tolmu eemaldussüsteemi kasutamisele. Veenduge, et elektrilised tööriistad on elektritoitest lahti ühendatud, kui te neid ei kasuta, enne hooldustöid, õlitamist, muudatuste tegemist või tarvikute, näiteks terade, vahetamise ajal.

Enne saagimise alustamist laske kettal täiskiirus saavutada ja laske sel paar sekundit töötada. Kui esineb ebaharilikku müra või vibratsiooni, PEATAGE seade viivitamatult ning selgitage välja põhjus.

Ärge kunagi püüdke saagida vaba käega. Veenduge alati, et töödeldav detail on kindlalt vastu tagumist piiret ja lauatoe pinda surutud.

Veenduge, et töödeldaval detailil on piisavalt ruumi küljele liikuda. Vastasel korral võivad lõikejäägid tera külge kinni jääda.

Kui töödeldavat detaili ei saa käega kindlalt kinni hoida, kasutage selle paigal hoidmiseks rakist või klambrit.

Veenduge, et ebakorrapärased või ümarad detailid oleksid kindlalt kinni, et nad ei saaks liikuda või väänduda ja tera pitsitada.

Ärge kunagi saagige korruga rohkemat kui ühte detaili.

Ärge kunagi saagige detaile, mis on liiga väikesed, et neid pöidla ja nimetissõrmega tagumise piirde vastas hoida.

Kasutage ainult tootja soovitatavaid kettaid.

Ärge käivitage seadet, kui tera on töödeldava detailiga kontaktis.

Kontrollige, et töödeldavas detailis poleks väljaulatuvaid naelu, kruvipäid ega midagi muud, mis võiks tera kahjustada.

Ärge proovige seadet või selle lisaseadmeid mistahes moel muuta.

Ärge kasutage liigset jõudu, kui töödeldavat detaili kettale liigutate.

Töödeldava detaili järkjärguline liigutamine vähendab seadme ja terade kulumist ning suurendab nende tõhusust ja kasutusiga.

Ärge kasutage saagi, kui kaitsmed paigas pole.

Asendage laua vahetükk, kui see kulub.

Ärge kasutage saagi teiste materjalide kui alumiiniumi, puidu ja sarnaste materjalide lõikamiseks.

Ühendage nurgasaag saagimise ajal tolmukogumisseadmega.

Valige kettad vastavalt saetavale materjalile.

Olge soonte lõikamisel ettevaatlik.

HOIATUS! ÄRGE PÜÜDKE LÕIGATA MATERJALI, MIS ON MAKSIMAALSEST LÕIKEVÕIMEST SUUREM.

TÄIENDAVAD OHUTUSNÕUANDED NURGASAE KANDMISEKS

Ehkki nurgasaag on kompaktne, on see raske. Seljavigastuste ohu vähendamiseks paluge sae tõstmisel abi.

Seljavigastuste ohu vähendamiseks hoidke tööriista tõstmisel oma keha lähedal. Köverdage põlvi, nii et tõstate oma jalgu, mitte selga kasutades. Kasutage tõstmisel seadme aluse igal küljel olevaid käepidemeid.

Ärge kunagi tõstke nurgasaagi toitejuhtmest. Kui tõstate nurgasaagi toitejuhtmest, võib see kahjustada isolatsiooni või juhtmeühendusi ning põhjustada elektrišoki või tulekahju.

Enne nurgasae liigutamist kinnitage nurga ja diagonaallõike lukustuskravid ning kelgu lukustuskruid, et ennetada ootamatut liikumist.

Lukustage lõikepea kõige madalamasse asendisse. Veenduge, et lõikepea lukustusplint on täielikult oma pesas.

HOIATUS: ärge kasutage kettakaitset tõstepunktina. Enne seadme liigutamist peab toitejuhe olema elektritoitest lahti ühendatud.

LASERTULEDE OHUTUSREEGLID

2. klassis kasutatav lasertuli/laserkiirgus on maksimaalselt 1 mW võimsusega ja 650 nm lainepikkusega.

Need laserid ei kujuta tavaliselt optilist ohtu, ehkki kiirt otse vaadates võib kaasneda hetkeline pimedus.

HOIATUS. Ärge vaadake otse laserkiire sisse. Tahtlikult otse kiire sisse vaatamine võib olla ohtlik, pidage kinni järgnevatest ohutusreeglitest:

laserit tohib kasutada ja hooldada vastavalt tootja juhistele;

ärge kunagi suunake kiirt teisele inimesele või esemele, mis ei ole töödeldav detail;

laserkiirt ei tohi tahtlikult töötajatele suunata ning tuleb ennetada kiire suunamist inimese silma kauemaks kui 0,25 sekundiks.

veenduge alati, et laserkiir on suunatud tugevale töödeldavale detailile, millel pole peegeldavaid pindu, nt on sobivad puit või kareda pinnaga materjalid;

läikiv terasplekk ja sarnased materjalid ei ole laseriga kasutamiseks sobivad, kuna need võivad kiirt tagasi kasutaja poole peegeldada;

ärge asendage laservalguse agregaat teistsugusega; parandustöid tohivad teha laseri tootja või volitatud asutus.

ÜLDISED OHUTUSNÕUDED

HOIATUS! Lugege kõik juhised hoolikalt läbi.

Allpool loetletud nõuete eiramine võib põhjustada elektrilöögi, tulekahju ja/või raskeid vigastusi. Kõigis alljärgnevates hoiatustes loetletud mõiste "elektrotööriist" tähendab toitekaabliga elektritööriista ja akuga (toitekaablita) tööriista.

HOIDKE KASUTUSJUHEND ALLES.

1) TÖÖALA

- Tööala peab olema puhas ja hästi valgustatud. Segamini ja pime töökoht kutsub esile õnnetusi.
- Ärge kasutage elektritööriista plahvatusohtlikus keskkonnas, näiteks kohas, kus on kergesti süttivaid vedelikke, gaase või tolmu. Elektritööriistad võivad tekitada sädemeid, mis võivad süüdata tolmu või auru.
- Elektritööriistaga töötamise ajal hoidke lapsed ja kõrvalised isikud eemal. Tähelepanu hajumisega võib kaduda ka kontroll tööriista üle.

2) ELEKTRIOHUTUS

- Elektritööriista pistik peab vastama seinakontaktile. Keelatud on pistiku muutmine ükskõik mil moel. Ärge kasutage adapterpistikuid koos maandatud elektritööriistadega. Muudatusteta pistikud ja sobivad seinakontaktid vähendavad elektrolöögiohtu.
- Vältige kehakontakti selliste maandatud pindadega nagu torud, radiaatorid, pliidid ja külmikud. Elektrilöögioht suureneb, kui teie keha on maandatud.
- Ärge jätke elektritööriista vihma kätte ega niisketesse tingimustesse. Elektritööriista sattunud vesi suurendab elektrilöögiohtu.
- Ärge kasutage toitekaablit valesti. Ärge kasutage toitekaablit elektritööriista kandmiseks, tõmbamiseks ega vooluvõrgust lahti ühendamiseks. Vältige toitekaabli kontakti kuumaallikate, õli, teravate servade ja liikuvate osadega. Kahjustunud või keerdunud toitekaablid suurendavad elektrilöögiohtu.

- d) Ärge kasutage toitekaablit valesti. Ärge kasutage toitekaablit elektritööriista kandmiseks, tõmbamiseks ega vooluvõrgust lahti ühendamiseks. Vältige toitekaabli kontakti kuumaallikate, õli, teravate servade ja liikuvate osadega. Kahjustunud või keerdunud toitekaablid suurendavad elektrilöögiohtu.
- e) Kui te töötate elektritööriistaga väljas, kasutage välistingimustes kasutamiseks mõeldud pikenduskaablit. Välistingimustes kasutamiseks mõeldud toitekaabel vähendab elektrilöögiohtu.

3) ISIKUOHUTUS

- a) Olge tähelepanelik, jälgige oma tegevust ja kasutage tööriistaga töötamisel tervet mõistust. Ärge kasutage elektritööriista, kui olete ravimite või alkoholi mõju all või kui teile on tehtud raviprotseduure. Kas või hetkeline tähelepanematus elektritööriista kasutamisel võib põhjustada raskeid kehavigastusi.
- b) Kasutage isikukaitsevahendeid. Kandke alati silmakaitseid. Selliste kaitsevahendite nagu tolmu mask, libisemisvastaste taldadega turvajalatsid, tugev kiiver ja kuulmiskaitseid kasutamine õigetes tingimustes vähendab kehavigastuste ohtu.
- c) Vältige seadme juhuslikku käivitumist. Enne seadme ühendamist vooluvõrku veenduge, et lüliti on väljalülitatud asendis. Tööriista hoidmine nii, et sõrm on lüliti, või tööriista ühendamine vooluvõrku, kui tööriista lüliti on alla vajutatud, võib põhjustada õnnetusi.
- d) Enne tööriista ühendamist vooluvõrku eemaldage kõik reguleer- ja mutrivõtmed. Elektritööriista liikuvale osale unustatud mutri- või reguleervõti võib põhjustada kehavigastusi.
- e) Ärge küünitage liialt ette. Jalgadel peab alati olema kindel toetus. Hoidke keha alati tasakaalus. Nii on tagatud parem kontroll elektritööriista üle ootamatutes olukordades.
- f) Rõivastuge asjakohaselt. Ärge kandke liialt avaraid rõivaid ega ehteid. Hoidke oma juuksed, rõivad ja kindad eemal seadme liikuvatest osadest. Avarad rõivad, ehted ja pikad juuksed võivad jääda seadme liikuvate osade vahele.
- g) Kui seade on varustatud tolmu eemaldus- ja kogumissüsteemide ühendustega, siis veenduge, et süsteemid on nõuetekohaselt ühendatud ja et neid kasutatakse õigesti. Nende seadmete kasutamine vähendab tolmu seonduvaid ohte.

4) ELEKTRITÖÖRIISTA KASUTAMINE JA HOOLDAMINE

- a) Elektritööriistaga töötamisel ei tohi kasutada jõudu. Kasutage tööks sobivat elektritööriista. Tööle vastav elektritööriist teeb oma töö paremini ja ohutumalt kiirusel, milleks see tööriist on ette nähtud.

- b) Ärge kasutage elektritööriista, mille lüliti ei lülita seadet sisse ega välja. Kõik elektritööriistad, mida ei ole võimalik lülitist juhtida, on ohtlikud ja need tuleb ära parandada.
- c) Enne tööriista reguleerimist, lisatarvikute vahetamist või seadme hoiustamist tõmmake pistik seinakontaktist välja. Sellised ennetavad ohutusmeetmed aitavad vältida elektritööriista juhuslikku käivitumist.
- d) Kui te elektritööriista ei kasuta, siis hoidke seda lastele kättesaamatus kohtas. Ärge lubage inimestel, kes ei ole enne elektritööriistaga töötanud või kes ei ole neid juhiseid läbi lugenud, tööriistaga töötada. Oskamatu inimese käes on elektritööriistad ohtlikud.
- e) Elektritööriistad vajavad hooldust. Kontrollige, et liikuvad osad ei oleks tasakaalust väljas ega paindes, et osad ei oleks purunenud ja et seadmel ei oleks muid tunnuseid, mis võiks mõjutada elektritööriista talitlust. Kui elektritööriist on kahjustunud, siis laske see enne uuesti kasutamist korda teha. Paljude õnnetuste põhjuseks on halvasti hooldatud elektritööriist.
- f) Lõiketerad peavad olema teravad ja puhtad. Nõuetekohaselt hooldatud lõiketeradel on teravad lõikeservad ja nende paindumine on ebatõenäolisem. Samuti on nendega lihtsam kontrollitult töötada.
- g) Kasutage elektritööriista, tarvikuid ja tööriistaotsakuid jne vastavalt käesolevatele juhisele ja vastavalt konkreetse tööriista kasutusotstarbele. Arvestage töötingimuste ja töö olemusega. Elektritööriistade mittesihipärane kasutamine võib põhjustada ohtlikke olukordi.

5) HOOLDAMINE

- a) Elektritööriista võib hooldada kvalifitseeritud remondipersonal, kes kasutab ainult originaalosi. Nii säilib elektritööriista algne ohutus.

SEADME OSAD JA NUPUD (JONIS 1 JA 1A)

1.	Tolmukott
2.	Tolmuväljastusport
3.	Ülemine fikseeritud kettakaitse
4.	Lukustushoob
5.	Käepide
6.	Pöörleva ketta kaitse
7.	Külgmise tugilati paigaldusbaasi augud (kaks komplekti)
8.	Laua vahetükk (saelõike plaat)
9.	Nurga lukustuskaepide
10.	Nurga lukustuse vedruklamber
11.	6mm sisekuuskantvõti
12.	Küljepikenduse laba (vasak)
13.	Küljepikenduse laba (parem)
14.	Klambri agregaat
15.	Külgmise tugilati lukustuskrugi
16.	Laua piire
17.	Liugvardad
18.	Nurgalaud
19.	Nurgaskaala
20.	Sisse/välja lüliti
21.	Soone sügavuse reguleerimiskrugi
22.	Libistusluku nupp
23.	Diagonaallõike lukk
24.	0° diagonaallõike reguleerimiskrugi
25.	Klambri agregaadilukustuskrugi (x 2)
26.	Vabastusnupp
27.	Soone sügavuse lukustusmutter
28.	Diagonaallõike skaala
29.	Spindlilukustusnupp

LAHTIPAKKIMINE

Ettevaatust! Selles pakendis on teravaid esemeid. Lahtipakkimisel olge ettevaatlik. Võtke seade koos kaasasolevate tarvikutega pakendist välja. Kontrollige hoolikalt, et seade oleks heas töökorras ja kõik käesolevas juhendis loetletud komponendid oleksid olemas. Samuti veenduge, et kõik tarvikud on terviklikud. Kui tuvastate, et mõni seadme osa on puudu, tuleks seade koos tarvikutega originaalpakendis edasimüüjale tagastada.

Ärge visake pakendit ära ja hoidke seda garantiiperioodi jooksul kindlas kohas. Seejärel viige

võimalusel taaskasutuspunkti või rakendage asjakohaseid jäätmekäitlusmeetmeid. Lämmisohu tõttu ärge laske lastel tühjade kilekottidega mängida.

TARVIKUD

Paigaldage ainult originaalvaruosi, mis vastavad elektrilise tööriista kiirusele ja suurusele.

FXAJ1G-ZP8-210C sae komplekti kuuluvad järgmised tarvikud:

- 48 hambaga ketas (paigaldatud);
- tolmuott;
- detailklamber;
- küljepikenduse labad (x 2);
- 6 mm saeketta sisekuuskantvõti

KOKKUPANEK

Märkus: Enne üksuse kokkupanekut või lahtivõtmist veenduge, et üksus ei oleks elektritoitega ühendatud.

TRANSPORTIMINE (JONIS 2)

Tõstke nurgasaagi ainult siis, kui sae käetugi on lukustatud allasuunalisse asendisse, saag on välja lülitatud ning selle pistik on elektrikontaktist eemaldatud. Saagi tohib tõsta ainult kandeaasast või välimisest korpusest. Ärge tõstke saagi kaitsmetest.

PINGILE MONTEERIMINE (JONIS 3)

Sae aluses on neli monteerimisava, millega seda pingile monteerida. Kinnitage saag ühetasasele horisontaalsele pingile või töölaual, sisestades poldid (ei kuulu komplekti) läbi sae aluses olevate fikseerimisavade.

MÄRKUS. Soovi korral saate kinnitada sae vähemalt 8 mm paksuse vineeritüki külge, mille saate seejärel klambritega tööpinna külge kinnitada või liigutada selle teise tööpaika ja seejärel uuesti kinnitada.

ETTEVAATUST. Veenduge, et monteerimispind ei oleks paindes, kuna ebatasane pind võib põhjustada sae kinnijäämist ja ebatäpset saagimist.

KÜLJEPIKENDUSE LABAD (JONIS 4)

Libistage toed aluse valu külgedel olevatesse aukudesse. Keerake külgmise tugilati lukustuskrugi kinni, et küljepikenduse labasid paigale lukustada (joonis 4).

MÄRKUS: Enne, kui töödeldava detaili saele asetate, peab külgmise tugilati lukustuskrugi tugevalt kinnitatud olema.

TOLMUKOTT (JONIS 5)

Tolmuott paigaldatakse tolmueralduspordile. Pigistage tolmueralduskoti otsas olevaid kahte metall-lapatsit, et kotti tolmueralduspordile libistada.

Tõhusa töö jaoks tühjendage tolmuott, kui see on kõige enam pooltäis.

See võimaldab kotis paremat õhuvoolu. Puhtama ja ohutuma tööpiirkonna tagamiseks võite tolmueralduspordi külge kinnitada ka tolmueraldussüsteemi.

KLAMBRIAGREGAADI PAIGALDAMINE (JONIS 6)

Seadme piirde tagaosas (kummalgi küljel üks) on kaks nõgu. Need nõod on mõeldud klambriagregaadi paigaldamiseks.

Paigaldage klamber turvanõkku mis saagimise jaoks kõige paremini sobib, veendudes, et see on täielikult alla lükatud.

Kinnitage klambri agregaaadi lukustuskrugi kruvikeeraja abil, et klambri tuge piirde nõkku lukustada (joonis 6).

Asetage töödeldav detail saagimislauale vastu piiret ja soovitud asendisse.

Reguleerige klambrit, kasutades pöidlakruvisid ja käsiratast, et see töödeldavat detaili kindlalt saagimislaual hoiaks.

Tehke testkäitus ilma elektrivõrku ühendamata. Veenduge, et klamber ei jääks saekettale või muule lõikepea osale ette, kui see langetatud on.

LAUA JOONDAMINE KETTAGA

Veenduge, et elektripistik on elektrivõrgust eemaldatud.

Lükake sae käetugi selle kõige madalamasse asendisse, joon. 7, ning vajutage vabastusnuppu, et hoida sae käetuge transpordiasendis, joon. 8.

Paigaldage nurga lukustuskäepide (joonis 9).

Pöörake lauda, kuni nool on asendis 0°. Kinnitage nurga lukustuskäepide. (Joonis 10)

Vabastage diagonaallõike lukk ja asetage sae käetugi 0° diagonaali alla (ketas 90° nurga all nurgalaua suhtes). (Joonis 11)

Kinnitage diagonaallõike lukk (joonis 12).

Asetage kolmnurk laua ja ketta lameda osa vastu (joonis 13).

MÄRKUS. Veenduge, et kolmnurk puutub ketta lameda osa, mitte hammaste vastu. Pöörake kätega kettast ning kontrollige mitmes punktis ketta ja laua joondust. Kolmnurga serv ja saeketas peaksid paralleelsed olema.

Kui saeketas kaldub kolmnurgast eemale, reguleerige seda järjekorras:

Vabastage diagonaallõike lukk (joonis 15).

Kasutage 10 mm mutrivõtit või reguleeritavat mutrivõtit, et reguleerida mutrit (joonis 16), veenduge, et kolmnurga serv ja saeketas oleksid paralleelsed.

Kinnitage diagonaallõike lukk.

Vabastage diagonaallõike skaala noolt kinnitav kruvi ning reguleerige noole asendit nii, et see osutaks

skaalal õigesti nulli peale. Kinnitage kruvi uuesti (joonis 17).

Kinnitage uuesti diagonaallõike lukk ja lukustusmutter, mis kinnitab 0° diagonaallõike reguleerimiskruvi.

MÄRKUS. Lisaks saate ülaltoodud protseduuriga kontrollida saeketta nurka laua suhtes 45° diagonaallõike nurga korral. 45° diagonaallõike kruvi on sae käetoe vastasküljel.

SOONE SÜGAVUSE REGULEERIMINE

Normaalses asendis ei võimalda soone piirik kettal otse läbi töödeldava detaili saagida.

Soone piiriku reguleerimiseks tõmmake vabastusnupp välja ja tõstke sae laba täielikult üles (joonis 18).

Kui sae käetugi on tõstetud, saab soone piirikut reguleerida nii, et soone piiriku reguleerimiskruvi puutub piiriku vastu, kui käetugi langetatakse.

Aktiveerige piirik, liigutades seda väljapoole (joonis 19). Kui soone piirik ei liigu, vabastage kruvi natuke, kasutades ristpea-kruvikeerajat.

See piirab saagimist töödeldaval detailil "sooneni".

Soone sügavust saab reguleerida soone sügavuse reguleerimiskruviga ja soone sügavuse lukustusmutri paigale lukustamisega (joonis 20).

KASUTAMINE

Sae sisselülitamiseks liigutage lukustushooba vasakule (joon. 21) ja vajutage ning hoidke all sisse- ja väljalülituspäästikut (joon. 22).

Kui kettas pöörleb täiskiirusel (umbes kahe sekundi pärast), langetage tera läbi töödeldava detaili (joonis 23). Pärast lõike lõpetamist vabastage lüliti päästik ning laske saekettal peatuda, enne kui ketta töödeldavast detailist välja võtate. Enne töödeldava detaili eemaldamist oodake, kuni kettas peatub.

PÕIKLÕIKAMINE (ILMA LIBISEMISFUNKTSIOONITA)

Kitsaste puidutükkide saagimisel ei ole libisemisfunktsioon vajalik. Sellistel juhtudel veenduge, et libisemislukk on kinni kruvitud, et ennetada sae laba libisemist (joonis 24).

Põiklõikamiste korral lõigatakse mööda töödeldava detaili kiudu. 90° põiklõikamise korral on nurgalaud 0° all. Nurga all põiklõigete korral on laud seadistatud mõnele muule nurgale peale nulli.

Tõmmake vabastusnuppu ja tõstke sae käetugi täiskõrgusele.

Vabastage nurga lukk. Pöörake nurgalauda, kuni nool osutab soovitud nurgale. Kinnitage nurga lukk.

HOIATUS. Enne saagimist veenduge, et nurga lukk on kinnitatud. Vastasel korral võib laud saagimise ajal liikuda ja tõsiseid vigastusi põhjustada.

Asetage töödeldav detail lamedalt lauale nii, et üks serv on kindlalt piirde vastas. Kui laud on kaardus, asetage kumer külj piirde vastu. Kui piirde vastu pannakse nõgus külj, võib laud murduda ja tera kinni jääda.

Pikkade puidust detailide lõikamiseks toestage puidu üleulatuvaid otsi küljepikenduste labadega, rullikutega alusega või sae lauaga samal tasapinnal oleva tööpinnaga.

Kasutage klambri agregaat, et töödeldavat detaili kust iganes võimalik kinnitada.

Võimalusel eemaldage klambri agregaat klambri agregaadiluku vabastamisega ja liigutage see laua teisele küljele. Enne klambri kasutamist veenduge, et klambri agregaadilukk on kindlalt kinni. Enne sae sisselülitamist tehke saagimise test veendumaks, et ei esine probleeme.

Hoidke tugevalt käepidemest ning vajutage lüliti päästikule. Laske saekettal täiskiirus saavutada.

Vajutage vedruklambri ja langetage ketas aeglaselt töödeldava detaili sisse ja sellest läbi.

Vabastage lüliti päästik ning laske saekettal peatuda, enne kui ketta töödeldavast detailist välja võtate. Enne töödeldava detaili eemaldamist oodake, kuni ketas peatub.

PÕIKLÕIKAMINE (LIBISEMISFUNKTSIOONIGA)

Laiade töödeldavate detailide saagimisel vabastage esmalt libisemislukk (joonis 24).

Tõmmake vabastusnuppu, tõstke sae käetugi täiskõrgusele ja libistage seda enda suunas.

Hoidke käepidemest ning vajutage lüliti päästikule. Laske saekettal täiskiirus saavutada. Vajutage vedruklambri ja langetage ketas aeglaselt töödeldava detaili sisse ja libistage see endast eemale samal ajal, kui töödeldavat detaili saete.

Vabastage lüliti päästik ning laske saekettal peatuda, enne kui ketta töödeldavast detailist välja võtate.

Enne töödeldava detaili eemaldamist oodake, kuni ketas peatub.

DIAGONAALLÕIGE

Diagonaallõike puhul lõigatakse mööda töödeldava detaili kiudu, samal ajal kui tera on piirde ja nurgalaua suhtes viltu. Nurgalaud on seatud nullkraadisesse asendisse ning tera seatud vasakule 0° ja 45° vahelise nurga alla, joonis 25.

Korrake põiklõikamise etappe (koos või ilma libisemisfunktsioonita).

Vabastage diagonaallõike lukk ja liigutage sae laba vasakule soovitud diagonaalnurgale (vahemikus 0° ja 45°).

Kinnitage diagonaallõike lukk.

HOIATUS: Enne saagimist veenduge alati, et diagonaallõike lukk on kinnitatud.

KOMPAUNDNURGASAAGIMINE

Kompaundnurgasaagimise ajal kasutatakse sama ajal nurgalõike nurka ja diagonaallõike nurka.

Seda kasutatakse pildiraamide tegemisel, valude lõikamisel, kaldus külgedega karpide tegemisel ja katuseraamide vamistamisel.

Enne õige materjali saagimist tehke alati üleliigsesse puitu testlõige.

Laiade töödeldavate detailide saagimisel kasutage libisemisfunktsiooni.

HOOLDAMINE

TERA VAHETAMINE

OHT: tera on väga terav ning seda tuleb käsitleda ettevaatlikult. Ärge kunagi kasutage tera, mis on sae maksimaalsest võimalikust terast suurem. See võib puutuda kokku kettakaitsmetega. Ärge kunagi kasutage ketast, mis on liiga lai, et võimaldada välimisel kettaseibil spindli tahkudega haakuda.

See ei lase ketta poldil ketast korralikult spindlile kinnitada.

Ärge kasutage saagi metalli või müürilaotiste saagimiseks.

Veenduge, et vajaminevad vahehoidikud ja spindli rõngad sobivad spindli ja paigaldatud teraga.

Veenduge, et elektripistik on elektrivõrgust eemaldatud.

Sae laba vabastamiseks vajutage käepide alla ja tõmmake vabastusnuppu.

Vabastusnuppu saab nii pöörata, et seda hoitakse taandunud asendis.

Tõstke sae käetugi kõige kõrgemasse asendisse.

Pöörake alumist kettakaitsset (joonis 26) ülespoole ja ülemise kettakaitsme sisse ning vajutage spindli lukustusnupule (joonis 27). Pöörake ketast, kuni spindel lukustub.

Kasutage ketta poldi eemaldamiseks 6 mm sisekuuskantvõtit (joonis 28). (Vabastage päripäeva suunas, kuna ketta kruvi on vasakuunaliste keermetega).

Eemaldage seib, välimine kettaäärrik ja ketas.

Pange sisemisele kettaseibile ja välimisele kettaseibile tilk õli kohta, kus nad kettaga kokku puutuvad.

Paigaldage uus ketas spindlile, jälgides hoolikalt, et sisemine kettaseib oleks ketta taga.

ETTEVAATUST. Selleks, et tagada ketta õige pöörlemissuund, paigaldage ketas alati nii, et ketta hambad ja ketta siseküljele prinditud nool oleksid suunaga alla (joonis 28).

Ketta pöörlemissuund on lisaks märgitud noolega ülemisele kettakaitsmele.

Asendage välimine kettaseib.

Vajutage spindli lukustusnupp alla ja asendage ketta polt.

Kasutage ketta poldi kinnitamiseks 6 mm sisekuuskantvõtit (vastupäeva).

Kontrollige, et kettakaitse korralikult töötaks ning kataks ketast, kui sae laba on langetatud.

Ühendage saag elektritoitega ning käivitage saag veendumaks, et see õigesti töötab.

Märkus: kontrollige tera kinnitusmutri pingulolekut enne ja pärast iga kasutust ja kasutuse ajal.

HOOLDUS

Hoidke tööriista õhuavad alati puhtana ja vabana takistustest.

Kontrollige regulaarselt, et mootori läheduses olevatesse võredesse ja lüliti päästiku ümbrusesse poleks sisenenud tolmu ega võõrkehi. Kasutage kogunenud tolmu eemaldamiseks pehmet harja. Kandke kaitseprille, et puhastamise ajal oma silmi kaitsta.

Määrige kõiki liikuvaid osi regulaarsete intervallide tagant.

Kui sae kere vajab puhastamist, pühkige seda pehme niiske lapiga. Võite kasutada leebet puhastusvahendit, kuid mitte alkoholi, bensiini või muud puhastusainet.

Ärge kunagi kasutage plastikust osade puhastamiseks söövitavaid aineid.

ETTEVAATUST. Saag ei tohi kunagi puutuda kokku veega.

ÜLDINE LÄBIVAATUS

Kontrollige regulaarselt, et kõik kinnituskrivid oleksid kinni. Eriti kontrollige välisäärikut. Vibratsiooni korral võivad kruvid aja jooksul lahti minna.

Kontrollige regulaarselt, et seadme toitejuhe ja pikendusjuhtmed oleksid terved. Kui toitejuhe on vaja välja vahetada, peaks seda ohu vältimiseks tegema tootja, tootja esindaja või volitatud hoolduskeskus. Asendage katkised pikendusjuhtmed.

TEHNILISED ANDMED

Pinge	230 V ~ 50 Hz
Nimivõimsus	1500W
Koormuseta kiirus	4500 min ⁻¹
Saeketta diameeter	Ø 210 mm
Hambad	48 HW
Saeketta telg	Ø 30 mm
Nurgalaua nurk	-45°/0°/+45°
Diagonaallõike nurgad	45° vasakule
Otselõige 0° x 0° nurga all	305 x 70 mm
Nurgalõige 45° x 0° nurga all	215 x 70 mm
Diagonaallõige 0° x 45° nurga all	305 x 35 mm
Kombineeritud nurgalõige 45° x 45° nurga all	215 x 35 mm
Mass	11,0 kg

MÜRA JA VIBRATSIOONIANDMED

Kaalutud helirõhk:	L _{PA} 93,6 dB(A)
Korrigeeritud helivõimsustase:	L _{WA} 106,6 dB (A)
Määramata, K, m/s ² -s	K=3 dB (A)

SÜMBOLID

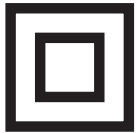
Tööriista andmesildil võidakse kujutada sümboleid. Need sümbrid tähistavad olulist teavet toote või selle kasutamise kohta.



Kandke kuulmiskaitset.
Kandke kaitseprille.
Kandke hingamisteede kaitset.



Vastab asjakohastele ohutust puudutavatele standarditele.



Täiendavaks kaitseks topeltisoleeritud.



Lugege kasutusjuhendit.



Ohtlik pinge.



Lõikamise oht.



Oht! Korpusest lendab pilpaid



ÄRGE puhastage, õlitage ega parandage seadet, kui see töötab



Toode vastab RoHS-direktiivi nõuetele



Üldine hoiatus



Elektritoodete jäätmetest ei tohi vabaneda olmejäätmete seas. Vastava võimaluse olemasolul taastöödelge. Taastöötlemise kohta saate teavet enda kohalikelt ametnikelt või jaemüüjalt.



ÄRGE puudutage liikuvat tera



ÄRGE viibige seadme läheduses avarate rõivastega



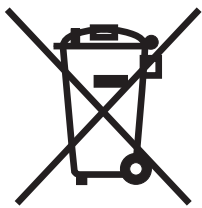
Kaitske seadet halva ilma eest



ÄRGE eemaldage seadme töötamise ajal sellelt kettakaitsmeid või kaitseseadmeid

KESKKONNAKAITSE

Teave (seadme koduses majapidamises kasutajatele) elektri- ja elektroonikaseadmete jäätmete keskkonnasäästlikuks kasutusest kõrvaldamiseks (WEEE)



Kui toodetel ja/või kaasasolevatel dokumentidel on see sümbol, siis ei tohi kasutuskõlbmatuks muutunud elektri- ja elektroonikaseadmeid ladustada olmeprügi hulka. Toote nõuetekohaseks kasutusest kõrvaldamiseks, töötlemiseks, taastamiseks ja taaskasutamiseks viige toode vastavasse jäätmekogumispunkti. See teenus on tasuta. Mõnedes riikides on võimalus viia toode tagasi edasimüüjale tingimusel, et ostate sealt sarnase uue toote. Selle toote keskkonnasäästlik kasutusest kõrvaldamine aitab säästa väärtuslikke ressursse ja ennetada võimalikku negatiivset mõju inimtervisele ja keskkonnale, mida võib põhjustada jäätmete väär kahjutustamine ja käitlemine. Täpsema teabe lähimast jäätmekogumiskeskusest saate kohalikult omavalitsuselt. Riiklike eeskirjade eiramisel selliste jäätmete kahjutustamisel võidakse karistada trahviga.

ETTEVÖTETELE EUROOPA LIIDUS

Elektri- ja elektroonikaseadmete kasutuselt kõrvaldamisel pöörduge lisateabe saamiseks edasimüüja või tarnija poole.

Teave kasutusest kõrvaldamise kohta teistes riikides väljaspool Euroopa Liitu.

See sümbol kehtib ainult Euroopa Liidus.

Kui soovite seda toodet kasutusest kõrvaldada, pöörduge kohaliku omavalitsuse või edasimüüja poole ja küsige teavet kasutusest kõrvaldamise õigete meetodite kohta.

ELEKTRĪBAS DATI

SVARĪGS

Šim ražojumam ir elektriskā plombēta kontaktdakšiņa, kas piemērota ierīcei jūsu valsts barošanas strāvai, un atbilst starptautiskām normatīvām prasībām.

Šim instrumentam jābūt pieslēgtam pie barošanas sprieguma, kurš atbilst norādītajam uz tehniskas tabulas. Ja kontaktdakšiņa vai barošanas vads ir bojāti obligāti jānomaina detaļas, kas ir indentiskas oriģinālām detaļām. Vienmēr ievērojiet savas valsts lēmumus par pieslēgšanas pie elektrības barošanas tīkla. Tādā gadījumā, kad šaubāties, vienmēr griezieties pie kvalificēta elektriķa.

IEVADS

Paldies, ka iegādājāties šo produktu, kas ir izgājis mūsu daudzpusīgo kvalitātes apliecinājuma procesu. Mēs parūpējamies, lai nodrošinātu to, ka saņemat instrumentu ideālā stāvoklī.

DROŠĪBAS PASĀKUMI

Pirms šī instrumenta lietošanas vienmēr ir jāievēro turpmāk minētie vispārīgie drošības pasākumi, lai samazinātu ugunsgrēka, elektrošoka un miesas bojājumu risku. Lai saprastu lietošanu, ierobežojumus un iespējamo ar šo instrumentu saistīto bīstamību, svarīgi izlasīt lietošanas instrukciju.

GARANTIJAS SERTIFIKĀTS

Šā produkta garantija darbojas divus gadus, stājas spēkā no iegādāšanās datuma un attiecas tikai uz sākotnējo pircēju. Šī garantija attiecas tikai uz defektiem, kas radušies bojātu materiālu vai apdares dēļ un kas atklāti tikai garantijas periodā; neiekļauj patēriņa produktus. Izgatavotājs saremontēs vai mainīs produktu pēc saviem ieskatiem saskaņā ar turpmāk minēto. Produkts ir jāizmanto atbilstoši instrukcijām, un to nedrīkst nepareizi ekspluatēt vai izmantot neparedzētiem nolūkiem. To nedrīkst izjaukt vai kā citādi pārveidot, apkopi nedrīkst veikt nesertificētas personas un to nedrīkst iznomāt. Pārvadāšanas bojājumi nav iekļauti šajā garantijā, jo par tiem ir atbildīgs transportēšanas uzņēmums. Prasības attiecībā uz šo garantiju vispirms garantijas perioda ietvaros ir jāveic tieši pie mazumtirgotāja. Produkts ir jānogādā atpakaļ pie izgatavotāja tikai izņēmumu gadījumos. Šādā gadījumā klienta pienākums ir nogādāt produktu atpakaļ par saviem līdzekļiem, nodrošinot, ka produkts ir atbilstoši iepakots, lai novērstu pārvadājumu bojājumus, un tiek pievienots īss bojājuma apraksts un kvīts kopija vai cits iegādāšanās pierādījums. Izgatavotājs saskaņā ar šo garantiju nav atbildīgs par jebkādiem specifiskiem, tipveida, tiešiem, netiešiem, nejaušiem vai izrietošiem zudumiem vai bojājumiem.

Šis elektriskais instruments ir paredzēts tikai lietošanai sadzīvē. Šis elektriskais instruments nav piemērots un paredzēts komerciālai un profesionālai izmantošanai.

Garantija nesedz elektrisko instrumentu korpusa defektus un bojājumus, kuri radušies, izmantojot instrumentu no sadzīves lietošanas atšķirīgiem nolūkiem, īpaši, ja uz to izdarīts spiediens vai instruments lietots nepareizi.

“Garantija zaudē spēku, ja instrumenta bojājumi radušies turpmāk minēto apstākļu dēļ:

1. Nepareiza produkta lietošana vai nolaidīgi veikta tehniskā apkope.
2. Produkts izmantots komerciāliem, profesionāliem vai nomas nolūkiem.
3. Produkta remontdarbus ir veicis nepilnvarots apkopes uzņēmums.
4. Bojājumi ir radušies ārēju objektu vai vielu dēļ.”

LIKUMĪGĀS TIESĪBAS

Šī garantija ir kā pielikums un nekādi neietekmē jūsu likumīgās tiesības.

PRODUKTA UTILIZĀCIJA

Ja produkts vairs nav izmantojams nolietojuma vai kādu citu iemeslu dēļ, to nedrīkst utilizēt kopā ar sadzīves atkritumiem. Lai pasargātu dabas resursus un minimizētu nelabvēlīgu ietekmi uz vidi, produktu otrreizēji izmantojiet vai utilizējiet videi draudzīgā veidā. Nogādājiet to savā vietējā atkritumu otrreizējās pārstrādes centrā vai kādā citā autorizētā savākšanas vai utilizēšanas instancē.

Ja neesat pārliecināti un nepieciešama informācija par pieejamām otrreizējās pārstrādes un/vai utilizācijas iespējām, sazinieties ar savu vietējo atkritumu apsaimniekošanas iestādi.

ĪPAŠIE DROŠĪBAS NORĀDĪJUMI

Izlasiet visus norādījumus, pirms sākat darboties ar šo produktu, un saglabājiet šo instrukciju.

ASMENS DROŠĪBA

BRĪDINĀJUMS! Rotējoši zāģa asmeņi ir ļoti bīstami un var izraisīt smagas traumas un amputāciju. Vienmēr turiet pirkstus un rokas vismaz 150 mm (6 collu) attālumā no asmens. Nemēģiniet izņemt sazāģēto materiālu, ja griezējgalviņa neatrodas paceltā pozīcijā, aizsargs nav pilnībā aizvērts un zāģa asmeņi nav pārstājis rotēt. Izmantojiet tikai zāģa asmeņus, kurus iesaka ražotājs un kuri atbilst EN 847-1 prasībām.

Neizmantojiet zāģa asmeņus, kuri ir bojāti vai deformēti, jo tie var saplīst lauskās un radīt smagas traumas operatoram un tuvumā esošām personām.

Neizmantojiet zāģa asmeņus, kas izgatavoti no ātrgriezējtērauda (HSS).

Nemēģiniet apturēt asmeni, pielietojot spēku vai piemērojot tam spiedienu no sāniem.

Neizmantojiet asmeņus, ja tie ir deformēti vai tiem trūkst zobi. Šāda darbība ir ļoti bīstama, jo ar operatoru vai tuvumā esošām personām var notikt nelaimes gadījums, kā arī var rasties ierīces bojājumi.

Neizmantojiet asmeņus, kas ir lielāki par noteikto izmēru; izmantojiet tikai ierīcei piemērotus asmeņus. Uz asmens atzīmētajam rotācijas ātrumam (min^{-1}) vienmēr ir jābūt LIELĀKAM par ierīces rotācijas ātrumu (min^{-1}).

Pārliecinieties, ka uz asmens marķētās bultiņas virziens atbilst motora rotācijas virzienam. Skatoties no zāģa priekšpusēs, asmens zobiem vienmēr jābūt pavērstiem uz leju.

Ja galda asmens ir bojāts vai nolietots, tas jānomaina pret identisku asmeni, kas, kā norādīts šajā instrukcijā, pieejams pie ražotāja.

INDIVIDUĀLIE AIZSARDZĪBAS LĪDZEKĻI (IAL)

Lai samazinātu dzirdes zuduma risku, jāizmanto dzirdes aizsardzības līdzekļi.

Lai izvairītos no iespējama redzes zuduma lidojošu skaidu dēļ, jāizmanto acu aizsardzības līdzekļi.

Ieteicams lietot elpošanas orgānu aizsardzības līdzekļus, jo daži koka un koka tipa produkti, it īpaši vidēja blīvuma kokšķiedru plātnes, var radīt putekļus, kas var kaitēt jūsu veselībai. Izmantojot šo ierīci, papildus putekļu savākšanas ierīcei ieteicams izmantot apstiprinātu sejas masku ar maināmiem filtriem.

Darbojoties ar asmeņiem vai raupjiem materiāliem, lietojiet aizsargcimdus. Ja iespējams, zāģa asmeņus ieteicams pārnēsāt asmeņu turētājā.

Darbojoties ar leņķzāģi nav ieteicams lietot aizsargcimdus.

DROŠĀ LIETOŠANA

Vienmēr pārliecinieties, ka ir izvēlēts zāģējamajam materiālam atbilstošs zāģa asmens. Neizmantojiet šo leņķzāģi, lai zāģētu materiālus, kas nav iekļauti tālāk norādītajā sarakstā.

Koks

No koksnes iegūti produkti (vidēja blīvuma kokšķiedru plātnes, kokskaidu plātnes, saplākšņi, cietās kokšķiedru plātnes u. c.)

Alumīnijs

Mazoglekļa tērauds (6 mm/ 1/4 collu biezums)

Pārvadājot leņķzāģi, pārliecinieties, ka griezējgalviņa ir nofiksēta zemākajā pozīcijā 90° leņķī (ja tas ir slīdrāmja leņķzāģis, pārliecinieties, ka vadlīnē ir nofiksēti). Paceliet ierīci, satverot to ar abām rokām aiz ārējām pamatnes malām (ja tas ir slīdrāmja leņķzāģis, pārvietojiet to, izmantojot tam paredzētos rokturus).

Nekādā gadījumā neceliet un nepārvadājiet ierīci, izmantojot ievilkamo asmens aizsargu vai jebkuru no tā darba mehānisma daļām.

Rūpējieties, lai aizsargi būtu tiem paredzētajā vietā un labā darba kārtībā. Lai nodrošinātu pareizu aizsargu darbību, pārbaudiet tos, kad ierīce ir atslēgta no strāvas avota.

Nolieciet griezējgalviņu uz leju, līdz asmens atrodas zemākajā pozīcijā, uzmanīgi ar roku pagrieziet asmeni, lai pārliecinātos, ka tas ir brīvs no aizsprostojumiem.

Pirms sākat darbināt leņķzāģi, atkātojiet šo procedūru maksimālā leņķī un slīpumā.

Rūpējieties, lai darbagalds un grīda tam apkārt būtu tīra no būvgružiem, t.sk., zāģēšanas putekļiem, skaidām un atgriezumiem.

Rūpējieties, lai asmens nostiprināšanas uzgrieznis un gredzeni vienmēr būtu tīri.

Ja nepieciešams izmantot starplikas vai pārejas gredzenus, tiem jābūt piemērotiem attiecīgajam mērķim un tie jāizmanto tikai ražotāja norādītajā veidā.

Ja leņķzāģim ir aprīkots ar lāzeru, to nedrīkst aizvietot ar cita veida lāzeru. Ja lāzers nedarbojas, tā remonts vai nomaiņa jāuztic autorizētam apkalpošanas dienesta darbiniekam.

Mainot asmeņus, pārliecinieties, ka padziļinātā asmens gredzena virsma cieši pieguļ asmens virsmai.

Pārliecinieties, ka asmens stiprinājuma bultskrūve ir cieši pievilktā, izmantojot komplektācijā iekļautās uzgriežņu atslēgas. Nepievelciet pārāk stingri.

Nemēģiniet izņemt atgriezumus vai citas zāģējamā priekšmeta daļas, ja griezējgalviņa neatrodas paceltā pozīcijā, aizsargs nav pilnībā aizvērts un zāģa asmens nav pārstājis rotēt.

Ja nepieciešams, nostipriniet apstrādājamo priekšmetu uz zāģa darbagalda, izmantojot komplektācijā iekļautās priekšmeta spīles.

Pirms katra zāģējuma veikšanas pārliecinieties, ka leņķzāģis ir uzstādīts stabilā stāvoklī.

Zāģējot garus priekšmetus, izmantojiet steķus vai statīvus, lai atbalstītu priekšmetu, un pārliecinieties, ka visas spīles ir stingras un brīvgājiens nav pārāk liels.

BRĪDINĀJUMS: darbojoties ar jebkura veida leņķzāģi, acīs var iekļūt svešķermeņi un var rasties smagi acu bojājumi. Pirms sākat strādāt ar elektroinstrumentu, vienmēr uzvelciet aizsargbrilles ar sānu aizsargiem vai nepieciešamības gadījumā — pilnu sejas masku.

BRĪDINĀJUMS! Ja trūkst kāda no detaļām, nedarbiniet leņķzāģi, līdz iztrūkstošās detaļas ir ievietotas. Neņemot vērā šo norādījumu, var rasties smagas traumas.

PAPILDU DROŠĪBAS NORĀDĪJUMI

Daži koka un koka tipa produkti, it īpaši vidēja blīvuma kokšķiedru plātnes, var radīt putekļus, kas var kaitēt jūsu veselībai. Izmantojot šo ierīci, papildus putekļu savākšanas ierīcei ieteicams izmantot apstiprinātu sejas masku ar maināmiem filtriem.

Pārliecinieties, ka elektroinstrumenti ir atvienoti no strāvas avota laikā, kad netiek izmantoti, pirms tehniskās apkopes, eļļošanas vai regulēšanas un piederumu, piemēram, asmeņu, maiņas.

Pirms zāģēšanas ļaujiet asmenim sasniegt pilnu ātrumu un darboties dažas sekundes. Ja dzirdat kādu neparastu skaņu vai jūtat neparastas vibrācijas, nekavējoties IZSLĒDZIET ierīci un izpētiet to cēloni.

Nekad nemēģiniet zāģēt, turot zāģi brīvi rokās. Pārliecinieties, ka apstrādājama priekšmets ir cieši piespiests aizmugurējai plaknei un darbagalda atbalsta virsmai.

Pārliecinieties, ka uz darbagalda ir pietiekami daudz vietas, lai nozāģēto priekšmeta daļu varētu pabīdīt sāņus. Pretējā gadījumā nozāģētā daļa var iesprūst asmenī.

Ja priekšmetu nevar droši turēt ar rokām, izmantojiet skavas vai spiles, lai zāģēšanas laikā noturētu priekšmetu vietā.

Pārliecinieties, ka neregulāri vai apaļi priekšmeti ir droši nostiprināti un neizkustēsies, nesagriezīsies vai nesaspiedīs asmeni.

Nekad nezāģējiet vairākus priekšmetus vienlaicīgi.

Nezāģējiet priekšmetus, kas ir pārāk mazi, lai tos ar īkšķi vai rādītājpirkstu turētu cieši piespiestus aizmugurējai plaknei.

Izmantojiet tikai ražotāja ieteiktus asmeņus.

Neiedarbiniet ierīci, ja tās asmens ir saskarē ar apstrādājamo priekšmetu.

Pārbaudiet, vai apstrādājamajā priekšmetā nav uz āru izvirzītu naglu, skrūvju galvu vai citu negludumu, kas varētu sabojāt asmeni.

Nemēģiniet patstāvīgi veikt izmaiņas ierīcē vai tās piederumos.

Zāģējot priekšmetu, nepielietojiet pārāk lielu spēku.

Pakāpeniska priekšmeta zāģēšana samazinās ierīces un asmens nolietošanas, kā arī palielinās to efektivitāti un ekspluatācijas laiku.

Nelietojiet zāģi, ja aizsargi neatrodas tiem paredzētajā vietā.

Nomainiet darbagalda asmeni, ja tas ir nolietojies.

Nedarbiniet zāģi, lai zāģētu materiālus, kas atšķiras no alumīnija, koka un līdzīgiem materiāliem.

Zāģēšanas laikā pievienojiet leņķzāģus putekļu savākšanas ierīcei.

Izvēlieties zāģējamajam materiālam atbilstošus zāģa asmeņus.

Rīkojieties uzmanīgi, zāģējot gropes.

BRĪDINĀJUMS! NEMĒĢINIET ZĀĢĒT MATERIĀLU, KAS IR LIELĀKS NEKĀ MAKSIMĀLAIS ZĀĢĒJUMA DZIĻUMS.

PAPILDU DROŠĪBAS IETEIKUMI LEŅĶZĀĢA PĀRNĒSĀŠANAI

Šis leņķzāģis ir kompakts, bet smags. Ja jums jāpaceļ zāģis, vaicājiet pēc palīdzības kompetentam speciālistam, lai mazinātu muguras traumu risku.

Lai mazinātu muguras traumu risku, ceļot instrumentu, turiet to tuvu ķermenim. Salieciet ceļus, lai jūs varētu instrumentu celt nevis ar muguras, bet ar kāju palīdzību. Celiet ierīci aiz rokturiem, kas atrodas abās ierīces pamatnes pusēs.

Nekad nepārvietojiet leņķzāģi, turot to aiz strāvas kabeļa. Leņķzāģa pārvietošana, turot to aiz strāvas kabeļa, var radīt bojājumus elektroizolācijā vai savienojumos un izraisīt elektriskās strāvas triecienu vai ugunsgrēku.

Pirms leņķzāģa pārvietošanas pievelciet leņķa un slīpinājuma bloķēšanas skrūves un slīdrāmja bloķēšanas skrūvi, lai izvairītos no pēkšņām negaidītām kustībām.

Nobloķējiet griezējgalviņu tās zemākajā pozīcijā. Pārliecinieties, ka griezējgalviņas bloķēšanas tapa ir pilnībā nospiesta.

BRĪDINĀJUMS! Neizmantojiet asmens aizsargu kā pacelšanas punktu. Strāvas kabelim jābūt atvienotam no strāvas avota, pirms mēģināt pārvietot ierīci.

DROŠĪBAS NOTEIKUMI SAISTĪBĀ AR LĀZERA APGAISMOJUMU

Izmantots 2. klases lāzera apgaismojums / lāzera radiācija ar maksimālo jaudu 1 mW un viļņa garumu 650 nm.

Parasti šie lāzери nerada risku redzei, tomēr skatīšanās uz lāzera staru var izraisīt apžilbumu.

BRĪDINĀJUMS! Neskatieties tieši uz lāzera staru. Risks var rasties, ja jūs tieši skatīsieties uz lāzera staru; lūdzu, ievērojiet visus tālāk norādītos drošības noteikumus.

Lāzers jāizmanto un tā tehniskā apkope jāveic saskaņā ar ražotāja norādījumiem.

Nekad nepāvērsiet lāzera staru pret personu vai objektu, kas nav jūsu apstrādājama priekšmets.

Lāzera staru nedrīkst tieši pavērst pret personālu, un jācenšas izvairīties no tā spīdināšanas personas acīs ilgāk par 0,25 s.

Vienmēr pārliecinieties, ka lāzera stars ir pavērsts uz nekustīgu priekšmetu bez atstarojošām virsmām, piem., koku vai virsmām ar raupju pārklājumu.

Spožs, spīdīgs, atstarojošs lokšņu tērauds vai līdzīgs materiāls nav piemērots lāzera lietošanai, jo atstarojošā virsma varētu novirzīt staru uz operatoru.

Nenomainiet lāzera apgaismojumu pret cita veida apgaismojumu. Remontdarbi jāveic lāzera ražotājam vai autorizētam darbiniekam.

VISPĀRĪGI DROŠĪBAS NOTEIKUMI

BRĪDINĀJUMS! Izlasiet visas instrukcijas.

Ja visas turpmāk minētās instrukcijas netiek ievērotas, var rasties elektrošoks, uzliesmojums un/vai nopietni miesas bojājumi. Termins "elektroinstrumenti" visos turpmāk minētajos brīdinājumos attiecas uz jūsu elektrotīkla padeves (ar vadu) elektroinstrumentu vai akumulatora (bezvada) elektroinstrumentu.

SAGLABĀJIET ŠĪS INSTRUKCIJAS

1) DARBA VIETA

- a) Uzturiet darba vietu tīru un labi apgaismotu. Pārblīvētās un tumšās vietās rodas vairāk negadījumu.
- b) Nedarbiniet elektroinstrumentu sprādzienbīstamā atmosfērā, piemēram, viegli uzliesmojošu šķidrums, gāzu vai putekļu klātbūtnē. Elektroinstrumenti rada dzirksteles, kas var aizdedzināt putekļus vai izgarojumus.
- c) Darbinot elektroinstrumentu, turiet bērnus un skatītājus drošā attālumā. Uzmanības novēršana var radīt kontroles zaudēšanu.

2) ELEKTRISKĀ DROŠĪBA

- a) Elektroinstrumenta spraudkontakta ir jāatbilst kontaktligzdai. Neveiciet nekādus spraudkontakta pārveidojumus. Neizmantojiet ar iezemētu elektroinstrumentu nekādus adaptera spraudkontaktus. Nepārveidot spraudkontaktus un atbilstošas kontaktligzdas samazina elektrošoka risku.
- b) Izvairieties no saskares ar iezemētām virsmām, piemēram, cauruļvadiem, radiatoriem, plītim un ledusskapjiem. Ja jūsu ķermenis ir iezemēts, pastāv paaugstināts elektrošoka risks.
- c) Nepakļaujiet elektroinstrumentu lietum vai mitriem apstākļiem. Ja ūdens iekļūst elektroinstrumentā, paaugstinās elektrošoka risks.
- d) Neveiciet nepareizas darbības ar vadu. Neizmantojiet vadu elektroinstrumenta nešanai, vilkšanai vai atvienošanai no kontaktligzdas. Turiet vadu drošā attālumā no karstuma, eļļas, asām malām vai kustīgām detaļām. Bojāti vai samezglioti vadi palielina elektrošoka risku.
- e) Ja elektroinstrumentu izmanto ārtelpās, lietojiet ārtelpu lietošanai piemērotu pagarinātāju. Ja izmanto ārtelpu lietošanai piemērotu vadu, samazinās elektrošoka risks.

3) PERSONĪGĀ DROŠĪBA

- a) Lietojot elektroinstrumentu, esiet piesardzīgi, kontrolējiet savu rīcību un pieņemiet saprātīgus lēmumus. Neizmantojiet elektroinstrumentu, ja esat

piekusuši vai narkotiku, alkohola vai medikamentu iedarbībā. Neuzmanība, lietojot elektroinstrumentu, var radīt nopietnus miesas bojājumus.

- b) Lietojiet drošības aprīkojumu. Vienmēr izmantojiet acu aizsargus. Ja piemērotos apstākļos izmanto tādu drošības aprīkojumu kā putekļu masku, neslīdošus aizsargapavus, ķiveri vai ausu aizsargus, tiek samazināts miesas bojājumu risks.
- c) Novērsiet nejaušu ieslēgšanu. Pirms pieslēgšanas kontaktligzdai pārliedzieties, vai slēdzis ir izslēgtā stāvoklī. Ja elektroinstrumentu pārnēsā ar pirkstu uz slēdža vai pieslēdz kontaktligzdai, slēdzim esot ieslēgtā stāvoklī, paaugstinās negadījumu iespējamība.
- d) Pirms elektroinstrumenta ieslēgšanas noņemiet jebkuru pielāgošanas atslēgu vai uzgriežņatslēgu. Ja uzgriežņatslēga vai pielāgošanas atslēga ir atstāta pie kādas instrumenta rotējošās daļas, var rasties miesas bojājumi.
- e) Nesniedzieties pāri. Vienmēr ievērojiet stabilu un līdzsvarotu stāvokli. Līdz ar to negaidītās situācijās var labāk kontrolēt instrumentu.
- f) Velciet piemērotu apģērbu. Nevelciet vaļīgu apģērbu vai juvelieru izstrādājumus. Turiet savus matus, apģērbu un cimds drošā attālumā no kustīgajām daļām. Vaļīgu apģērbu, juvelieru izstrādājumus vai garus matus var ieraut kustīgajās daļās.
- g) Ja ierīces ir paredzētas pieslēgšanai putekļu ekstrakcijas un savākšanas ierīcēm, pārliedzieties, lai tās būtu pieslēgtas un pareizi izmantotas. Šo ierīču izmantošana var samazināt ar putekļiem saistītu bīstamību.

4) ELEKTROINSTRUMENTA IZMANTOŠANA UN APKOPE

- a) Darbojoties ar elektroierīci, nepielietojiet pārmērīgu spēku. Izmantojiet savām vajadzībām piemērotu elektroinstrumentu. Piemērotas klases elektroinstrumenti efektīvāk un drošāk paveiks darbu.
- b) Neizmantojiet instrumentu, ja slēdzis to neieslēdz vai neizslēdz. Jebkurš elektroinstrumenti, ko nevar kontrolēt ar slēdzi, ir bīstams, un to nepieciešams remontēt.
- c) Pirms jebkuru pielāgojumu veikšanas, piederumu maiņas vai instrumenta novietošanas glabāšanā atvienojiet spraudkontakta no strāvas avota. Šādi piesardzības pasākumi samazina instrumenta nejaušas ieslēgšanās risku.
- d) Glabājiet tukšgaitas darbarīkus drošā attālumā no bērniem un neļaujiet personām, kuras nepārzina šo elektroinstrumentu vai šīs instrukcijas, to darbināt. Elektroinstrumenti neinstruētu personu rokās ir bīstami.

- e) Veiciet elektroinstrumentu apkopi. Pārbaudiet, vai kustīgās daļas ir piemēroti centrētas un sastiprinātas, daļas nav bojātas vai jebkuru citu stāvokli, kas var ietekmēt elektroinstrumenta darbību. Ja tas ir bojāts, pirms izmantošanas nodrošiniet instrumenta remontu. Daudzi negadījumi rodas nepietiekamas instrumenta apkopes dēļ.
- f) Griešanas darbarīkus uzturiet asus un tīrus. Piemēroti apkopti griešanas darbarīki ar asām griešanas malām retāk sapinas un ir vieglāk kontrolējami.
- g) Lietojiet elektroinstrumentu, piederumus, daļas utt. saskaņā ar šīm instrukcijām un attiecīgā instrumenta tipa paredzēto lietojumu, ņemot vērā darba apstākļus un veicamā darba veidu. Ja instrumentu izmanto neparedzētiem nolūkiem, var rasties bīstamas situācijas.

5) APKOPE

- a) Nodrošiniet, ka elektroinstrumenta apkopi veic kvalificēta persona, izmantojot tikai identiskas rezerves detaļas. Līdz ar to instrumenta drošība tiek uzturēta.

IZPAKOŠANA

Uzmanību! Šajā iepakojumā ietverti asi priekšmeti. Izpakoiet ierīci uzmanīgi. Izņemiet no iepakojuma ierīci un tās komplektācijā ietvertos piederumus. Rūpīgi pārbaudiet, vai ierīce ir labā darba stāvoklī, un noskaidrojiet, kādi piederumi ir iekļauti šīs instrukcijas sarakstā. Pārbaudiet arī, vai ir piegādāti visi norādītie piederumi. Ja konstatējat, ka trūkst kādas detaļas, atgrieziet iekārtu un tās piederumus atpakaļ mazumtirgotājam oriģinālajā iepakojumā.

Neizmetiet iepakojumu, saglabājiet to visu garantijas laiku un, ja iespējams, nogādājiet to otrreizējai pārstrādei vai arī atbrīvojieties no tā atbilstoši vietējiem noteikumiem. Neļaujiet bērniem rotaļāties ar tukšiem plastmasas maisiņiem - pastāv nosmakšanas risks!

PIEDERUMI

Izmantojiet tikai oriģinālās rezerves daļas, kuras atbilst instrumenta ātrumam un paredzētajam lietojumam.

Ierīce FXAJ1G-ZP8-210C tiek piegādāta kopā ar šādiem piederumiem:

- 48 zobu asmeni (ievietots)
- Putekļu maisiņu
- Priekšmeta spīlēm
- Sānu pagarinājumiem (x 2)
- 6 mm seššķautņu uzgriežņu atslēgu zāga asmens nomaiņai

DETAĻAS UN VADĪBAS IERĪCES (1. UN 1.A ATT.)

1.	Putekļu maisiņš
2.	Putekļu savākšanas atvere
3.	Augšējais fiksētais asmens aizsargs
4.	Bloķēšanas svira
5.	Darba rokturis
6.	Rotējošais asmens aizsargs
7.	Sānu atbalsta sliedes caurumi (2 komplekti)
8.	Galda griezējplāksnīte (iezāģējuma plātne)
9.	Leņķa bloķēšanas rokturis
10.	Leņķa bloķēšanas atlaišanas poga
11.	6 mm seššķautņu uzgriežņu atslēga
12.	Sānu pagarinājums (kreisais)
13.	Sānu pagarinājums (labais)
14.	Spīļu mehānisms
15.	Sānu atbalsta sliedes bloķēšanas skrūve
16.	Darbagalda šķērslis
17.	Slīdošās atbalsta sliedes
18.	Leņķzāga darbgalds
19.	Zāģēšanas leņķa skala
20.	Iesl./izsl slēdzis
21.	Gropes dziļuma regulēšanas skrūve
22.	Sliežu bloķēšanas poga
23.	Slīpinājuma fiksators
24.	0° slīpinājuma regulēšanas skrūve
25.	Spīļu mehānisma bloķēšanas skrūve (x 2)
26.	Atlaišanas poga
27.	Gropes dziļuma bloķēšanas uzgrieznis
28.	Noslīpināšanas skala
29.	Darbvārpstas fiksēšanas poga

MONTĀŽA

Piezīme! Pirms veicat jebkādu ierīces montāžu vai demontāžu, nodrošiniet, lai ierīce nebūtu pievienota barošanas avotam.

PĀRVADĀŠANA (2. ATT.)

Celiet leņķzāģi tikai tad, ja tā plecs ir bloķēts zemākajā pozīcijā, zāģis ir izslēgts un kontaktdakša ir atvienota no kontaktlīdždas. Paceliet zāģi, turot to aiz malām. Neceliet zāģi, turot to aiz aizsargiem.

DARBAGALDA MONTĀŽA (3. ATT.)

Zāģa pamatnē ir 4 montāžas caurumi, kuri paredzēti darbagalda montāžai. Pievienojiet zāģi līdzenam, horizontālam darbagaldam, ieskrūvējot bulskrūves (neietilpst komplektācijā) pa fiksēšanas caurumiem zāģa pamatnē.

PIEZĪME. Ja vēlaties, varat pieskrūvēt zāģi pie 8 mm bieža pamata vai biežāka saplākšņa, kuru var piestiprināt ar spīlēm pie apstrādājamā priekšmeta pamata vai pārvietot uz citu darba virsmu un izņemt no spīlēm.

UZMANĪBU! Pārliedzinieties, ka montēšanas virsma nav izliekusies, jo nelīdzena virsma var izraisīt ķeršanos un ietekmēt zāģēšanas precizitāti.

SĀNU PAGARINĀJUMI (4. ATT.)

Ieslidiniet atbalstus caurumos zāģa pamatnes malās. Pievelciet sānu atbalsta slīdes bloķējošo skrūvi, lai nostiprinātu sānu pagarinājumus vietā (4. att.).

PIEZĪME. Sānu atbalsta slīdes bloķējošajai skrūvei jābūt cieši pievilktāi pirms priekšmeta novietošanas uz zāģa.

PUTEKĻU MAISIŅŠ (5. ATT.)

Putekļu maisiņš atbilst putekļu savākšanas atverei. Saspiediet abus metāla izciļņus uz putekļu maisiņa gala, lai tas slīdētu pāri putekļu savākšanas atverei.

Lai darbs būtu efektīvāks, iztukšojiet putekļu maisiņu ne vēlāk kā tad, kad tas ir līdz pusei pilns.

Tas ļaus gaisam labāk plūst caur maisiņu. Lai darba vieta būtu tīrāka un drošāka, putekļu savākšanas atverei var pievienot arī putekļu savākšanas sistēmu.

SPĪĻU MEHĀNISMA IEVIETOŠANA (6. ATT.)

Ierīces šķēršļa aizmugurē abās pusēs atrodas divas ligzdas (katrā pa vienai). Šīs ligzdas paredzētas spīļu ievietošanai.

Ievietojiet spīli tajā ligzdā, kura vislabāk atbilst zāģēšanas darbībai, un pārliedzinieties, ka spīle ir pilnībā nospiesta uz leju.

Izmantojot skrūvgriezi, pievelciet spīļu mehānisma bloķēšanas skrūvi, lai nostiprinātu spīles pamatu šķēršļa ligzdā (6. att.).

Novietojiet priekšmetu zāģēšanai uz zāģa darbagalda, atbalstot to pret šķērslī izvēlētajā pozīcijā.

Noregulējiet spīles, izmantojot spārnskrūves un rokas ratu, lai droši turētu priekšmetu uz zāģa darba galdā.

Izmēģiniet ierīci, kad tā ir atslēgta no strāvas avota. Pārliedzinieties, ka spīles netraucē asmenim vai kādai citai griezējgalviņas daļai, kad tā ir nolaista uz leju.

ZĀĢA ASMENS PIEVIENOŠANA KVADRĀTVEIDA DARBAGALDAM

Pārliedzinieties, ka kontaktdakša ir izņemta no kontaktligzdas.

Nolieciet zāģa plecu uz leju, līdz tas sasniedz zemāko pozīciju, 7. att., un nospiediet atlaišanas pogu, lai nostiprinātu zāģa plecu transportēšanas pozīcijā, 8. att.

Ievietojiet leņķzāģa bloķēšanas rokturi (9. att.).

Pagrieziet darbagaldu tā, lai rādītājs būtu 0o pozīcijā. Pievelciet leņķzāģa bloķēšanas rokturi. (10. att.)

Atlaidiet slīpinājuma fiksatoru un novietojiet zāģa plecu 0o leņķī (asmens 90o leņķī pret leņķzāģa darbagaldu). (11. att.)

Pievelciet slīpinājuma fiksatoru (12. att.).

Novietojiet kvadrātu pret darbagaldu un asmens plakano daļu (13. att.).

PIEZĪME. Pārliedzinieties, ka kvadrāts saskaras ar zāģa asmens plakano daļu, nevis ar zobiem. Grieziet asmeni ar rokām un pārbaudiet asmens novietojumu pret galdu vairākās vietās. Kvadrāta malai un zāģa asmenim jāatrodas paralēli.

Ja zāģa asmens neatrodas paralēli kvadrātam, regulējiet to, kā aprakstīts tālāk.

Atlaidiet slīpinājuma fiksatoru (15. att.).

Izmantojiet 10 mm uzgriežņu atslēgu vai regulējamu uzgriežņu atslēgu, lai pielāgotu bloķēšanas uzgriezni (16. att.). Pārliedzinieties, ka kvadrāta mala un zāģa asmens ir novietoti paralēli.

Pievelciet slīpinājuma fiksatoru.

Atvelciet skrūvi, kas tur noslīpināšanas skalas rādītāju, un noregulējiet rādītāja pozīciju tā, lai uz skalas rādītu precīzi nulli. Atkal pievelciet skrūvi (17. att.).

Atkal pievelciet slīpinājuma fiksatoru un bloķēšanas uzgriezni, nobloķējot 0° slīpinājuma regulēšanas skrūvi.

PIEZĪME. Iepriekš aprakstīto procedūru var izmantot, lai pārbaudītu zāģa asmens leņķi pret darbagalda 45° slīpinājuma leņķi. 45° slīpinājuma regulēšanas skrūve atrodas zāģa pleca pretējā pusē.

GROPES DZIĻUMA REGULĒŠANA

Gropes dziļuma ierobežotājs normālā pozīcijā ļauj zāģa asmenim zāģēt cauri priekšmetam.

Lai regulētu dziļuma ierobežotāju, izvelciet ārā atlaišanas pogu un pilnībā paceliet zāģa plecu (18. att.).

Ja zāģa plecs ir pacelts, dziļuma ierobežotāju var noregulēt tā, lai dziļuma regulēšanas skrūve saskartos ar to, kad plecs ir nolaists.

Novietojiet dziļuma ierobežotāju, pabīdot to uz āru (19. att.). Ja dziļuma ierobežotāju nevar izkustināt, pavelciet vaļīgāk skrūvi, izmantojot krusta skrūvgriezi.

Tas neļauj zāģim zāģēt cauri priekšmetam, bet tikai izzāģēt gropi.

Gropes dziļumu var regulēt ar gropes dziļuma regulēšanas skrūvi un nobloķēt šādā stāvoklī, izmantojot gropes dziļuma bloķēšanas uzgriezni (20. att.).

EKSPLUATĀCIJA

Lai ieslēgtu zāģi, pārvietojiet bloķēšanas sviru pa kreisi (21. att.) un turiet nospiestu ieslēgšanas slēdzi (22. att.).

Ja asmens ir sasniedzis maksimālu ātrumu (aptuveni 2 sekunžu laikā), virziet asmeni cauri apstrādājamajam priekšmetam (23. att.). Pēc zāģēšanas pabeigšanas atlaidiet iesl./izsl. slēdzi un ļaujiet zāģa asmenim apstāties, pirms paceļat to no apstrādājamā priekšmeta. Pagaidiet, līdz asmens apstājas, pirms noņemat apstrādājamo priekšmetu.

ŠĶĒRSGRIEŠANA (BEZ SLĪDĒŠANAS FUNKCIJAS)

Lai zāģētu šaurus koka gabalus, slīdēšanas funkcija nav nepieciešama. Šādos gadījumos pārliecinieties, ka sliežu fiksators ir ieskrūvēts, lai izvairītos no zāģa pleca slīdēšanas (24. att.).

Šķērsgriezumu veic, zāģējot perpendikulāri apstrādājamā priekšmeta šķiedrai. 90° leņķa šķērsgriezumu veic, ja leņķzāģa darbapalds ir noregulēts 0° leņķī. Šķērsgriezumus leņķī veic, ja darbapalds ir noregulēts leņķī, kas atšķiras no 0°.

Pavelciet atlaišanas pogu un paceliet zāģa plecu tā maksimālajā augstumā.

Atlaidiet leņķa fiksatoru. Pagrieziet leņķzāģa darbapaldu, līdz rādītājs atrodas pretī vēlamajam leņķim. Pievelciet leņķa fiksatoru.

BRĪDINĀJUMS! Pirms zāģējat, pārliecinieties, ka leņķa fiksators ir pievilkts. Pretējā gadījumā darbapalds var izkustēties zāģēšanas laikā un radīt smagas traumas.

Novietojiet priekšmetu uz darbapalda tā, lai viena no tā malām būtu droši novietota pret šķērsli. Ja dēlis nav taisns, novietojiet tā izliekto pusi pret šķērsli. Ja ieliektā puse ir novietota pret šķērsli, dēlis var salūzt un iesprūst asmenī.

Zāģējot garus koka gabalus, atbalstiet pārkārušos koka galus uz sānu pagarinājumiem, veltnīšu statīva vai darba virsmas, kas ir vienā augstumā ar zāģa darbapaldū.

Izmantojiet spīles, lai nostiprinātu priekšmetu, kur tas iespējams.

Spīļu mehānismu var noņemt, atlaižot spīļu mehānisma fiksatoru un pavirzot to tuvāk otrai darbapalda pusei. Pārliecinieties, ka spīļu mehānisms ir cieši nostiprināts pirms spīļu izmantošanas. Pirms zāģa ieslēgšanas izmēģiniet zāģi, lai pārliecinātos, ka nav problēmu.

Stingri turiet darba rokturi un nospiediet iesl./izsl. slēdzi. Ļaujiet asmenim sasniegt tā maksimālo ātrumu.

Nospiediet atlaišanas pogu un lēnām virziet asmeni cauri priekšmetam.

Atlaidiet iesl./izsl. slēdzi un ļaujiet zāģa asmenim apstāties, pirms paceļat to no apstrādājamā priekšmeta. Pagaidiet, līdz asmens apstājas, pirms noņemat apstrādājamo priekšmetu.

ŠĶĒRSGRIEŠANA (AR SLĪDĒŠANAS DARBĪBU)

Zāģējot platus priekšmetus, vispirms atskrūvējiet sliežu fiksatoru (24. att.).

Pavelciet atlaišanas pogu, paceliet zāģa plecu augstākajā pozīcijā un slidiniet to virzienā uz sevi.

Stingri turiet rokturi un nospiediet iesl./izsl. slēdzi. Ļaujiet asmenim sasniegt tā maksimālo ātrumu. Nospiediet atlaišanas pogu, lēnām virziet asmeni priekšmetā un vienlaicīgi slidiniet priekšmetu virzienā prom no sevis, līdz tas ir sazāģēts.

Atlaidiet iesl./izsl. slēdzi un ļaujiet zāģa asmenim apstāties, pirms paceļat to no apstrādājamā priekšmeta.

Pagaidiet, līdz asmens apstājas, pirms noņemat apstrādājamo priekšmetu.

SLĪPS GRIEZUMS

Slīpu griezumū veic, zāģējot pāri apstrādājamā priekšmeta šķiedrai, kad zāģis ir noslīpināts pret šķērsli un leņķzāģa darbapaldū. Leņķzāģa darbapaldam jābūt noregulētam 0° pozīcijā un asmenim jābūt slīpinātam pa kreisi 0° līdz 45° leņķī.

Atkārtojiet šķērsgriešanas norādījumus (ar vai bez slīdēšanas funkcijas).

Atlaidiet slīpinājuma fiksatoru un pavirziet zāģa plecu pa kreisi vēlamajā leņķī (no 0° līdz 45°) (25. att.).

Pievelciet slīpinājuma fiksatoru.

BRĪDINĀJUMS! Vienmēr pārliecinieties, ka slīpinājuma fiksators ir pilnībā pievilkts, pirms sākat zāģēšanu.

SAVIENOJUMU SLĪPZĀĢĒŠANA

Savienojumu slīpzāģēšana vienlaikus ir saistīta ar zāģēšanas leņķi un slīpinājuma leņķi.

Slīpzāģēšanu izmanto, lai izgatavotu ietvarlīstes, sagrieztu veidnes, izgatavotu kastes ar noslīpinātām malām un jumta konstrukcijas.

Pirms materiāla zāģēšanas vienmēr veiciet izmēģinājuma zāģējumu koka gabalā, kas netiks lietots.

Zāģējot platus priekšmetus, izmantojiet slīdēšanas kustību.

TEHNISKĀ APKOPE UN APKALPE

ASMEŅU NOMAIŅA

BĪSTAMI! Asmens ir ļoti ass un, darbojoties ar to, jāievēro piesardzība. Nekad neizmantojiet asmeni, kas ir lielāks par noteikto zāģējuma dziļumu. Tas var saskarties ar asmeņu aizsargiem. Nekad neizmantojiet asmeni, kas ir pārāk biezs un neļauj savienot ārējās asmens starplikas ar montāžas plāksnītēm uz darbvārpstas.

Tas traucēs cieši nostiprināt asmeni uz darbvārpstas ar asmens bultskrūves palīdzību.

Neizmantojiet šo zāģi metāla vai mūra zāģēšanai.

Pārliecinieties, ka visas starplikas un darbvārpstas gredzeni, kas var būt nepieciešami, ir piemēroti darbvārpstai un atbilst asmenim.

Pārliecinieties, ka kontaktdakša ir izņemta no kontaktlīdzdas.

Pavirziet darba rokturi uz leju un pavelciet atlaišanas pogu, lai atlaistu zāga plecu.

Atlaišanas pogu var pagriezt tā, lai tā būtu fiksēta ievilkta stāvoklī.

Paceliet zāga plecu tā augstākajā pozīcijā.

Grieziet apakšējo asmens aizsargu (26. att.) uz augšu, virziet to augšējā asmens aizsarga virzienā un nospiediet darbvārpstas bloķēšanas pogu (27. att.). Grieziet asmeni, līdz darbvārpsta nofiksējas.

Izmantojiet 6 mm seššķautņu uzgriežņu atslēgu, lai atskrūvētu asmens bultskrūvi (28. att.). (Atvelciet to pulksteņa rādītāju kustības virzienā, jo asmens skrūvei ir kreisā vītne).

Noņemiet starplikas, ārējo asmens atloku un asmeni.

Uz iekšējās un ārējās asmens starplikas vietā, kur tās saskaras ar asmeni, uzpiliniet nedaudz eļļas.

Pievienojiet jauno asmeni darbvārpstai tā, lai iekšējā asmens starplika atrastos aiz asmens.

UZMANĪBU! Lai nodrošinātu pareizu asmens rotāciju, vienmēr ievietojiet asmeni tā, lai tā zobi un bultiņa, kas nodrukāta uz asmens, būtu vērsti uz leju (28. att.).

Asmens rotācijas virziens ir atzīmēts ar bultiņu arī uz augšējā asmens aizsarga.

Nomainiet ārējo asmens starpliku.

Nospiediet darbvārpstas bloķēšanas pogu un nomainiet asmens bultskrūvi.

Izmantojiet 6 mm seššķautņu uzgriežņa atslēgu, lai cieši pievilktu asmens skrūvi (pretēji pulksteņa rādītāju kustības virzienam).

Pārbaudiet, vai asmens aizsargs darbojas pareizi un nosedz asmeni, ja zāga plecs ir nolaiests uz leju.

Pieslēdziet zāgi strāvas avotam un ieslēdziet to, lai pārliecinātos, ka tas darbojas pareizi.

Piezīme! Pārbaudiet asmeni fiksējošo bultskrūvi pirms un pēc katras lietošanas reizes, kā arī lietošanas laikā.

TEHNISKĀ APKOPE

Rūpējieties, lai instrumenta ventilācijas spraugas vienmēr būtu tīras un neaizsprostotas.

Regulāri pārbaudiet, vai putekļi un svešķermeņi nav iekērušies režģī, kas atrodas netālu no motora, un apkārt iesl./izsl. slēdzim. Lai noņemtu sakrājušos putekļus, izmantojiet mīkstu birstīti. Lietojiet aizsargbrilles, lai aizsargātu acis tīrīšanas laikā.

Regulāri ieeļļojiet visas ierīces kustīgās detaļas.

Ja nepieciešams notīrīt zāga korpusu, noslaukiet to ar mīkstu, mitru lupatiņu. Var lietot vieglu tīrīšanas līdzekli, bet neko līdzīgu alkoholam, benzīnam vai citiem tīrīšanas līdzekļiem.

Nekad nelietojiet kodīgus tīrīšanas līdzekļus plastmasas daļu tīrīšanai.

UZMANĪBU! Ūdens nedrīkst nonākt saskarē ar zāgi.

VISPĀRĒJĀ PĀRBAUDE

Regulāri pārbaudiet, vai fiksēšanas skrūves ir pietiekami cieši pievilktas. Īpaši rūpīgi pārbaudiet ārējo atloku. Vibrāciju dēļ skrūves ar laiku var atskrūvēties.

Regulāri pārbaudiet, vai izmantotajos ierīces strāvas kabeļos un pagarinātāju kabeļos nav radušies bojājumi. Ja nepieciešams nomainīt strāvas kabeli, lai izvairītos no apdraudējuma, tas jāveic ražotājam, ražotāja pārstāvim vai autorizētā servisa centrā. Nomainiet bojātos pagarinātājus.

TEHNISKĀ SPECIFIKĀCIJA

Spriegums	230 V ~ 50 Hz
Nominālā ieejas jauda	1500 W
Ātrums bez noslodzes	4500 min. ⁻¹
Zāgripas diametrs	Ø 210 mm
Zobi	48 HW
Zāga asmens centrs	Ø 30 mm
Leņķzāga darbagalda leņķi	-45°/0°/+45°
Slīpinājuma leņķi	45° pa kreisi
Taisna zāgēšana 0° x 0° leņķī	305 x 70 mm
Slīpzāgēšana 45° x 0° leņķī	215 x 70 mm
Noslīpinājums 0° x 45° leņķī	305 x 35 mm
Kombinēta slīpzāgēšana 45° x 45° leņķī	215 x 35 mm
Svars	11,0 kg

DATI PAR TROKSNI UN VIBRĀCIJĀM

A vidēji svērtais skaņas spiediens: L_{pA} 93,6 dB(A)

A vidēji svērtā skaņas jauda: L_{WA} 106,6 dB(A)

Mērījuma nenoteiktība, K uz m/s² K=3 dB(A)

APZĪMĒJUMI

Jūsu ierīces pasas datu plāksnītē var būt dažādi apzīmējumi. Tie norāda svarīgu informāciju par ierīci vai tās lietošanas instrukciju.



Jāizmanto dzirdes aizsardzības līdzekļi.
Jāizmanto acu aizsardzības līdzekļi.
Jāizmanto elpošanas orgānu aizsardzības līdzekļi.



Atbilst attiecīgajiem drošības standartiem.



Dubulta izolācija papildu aizsardzībai.



Izlasiet lietošanas instrukciju.



Bīstams spriegums.



Sagriešanās risks.



Bīstami! No korpusa var atdalīties šķembas



Netīriet, neļļojiet un neveiciet remontu, kamēr ierīce darbojas



Izstrādājums atbilst RoHS prasībām



Vispārējs brīdinājums



Elektroierīču atkritumus nedrīkst izmest kopā ar sadzīves atkritumiem. Ja iespējams, veiciet to šķirošanu. Par otrreizējās pārstrādes jautājumiem sazinieties ar vietējo pašvaldības iestādi vai mazumtirgotāju.



NESKARIETIES pie asmens, kas griežas



NETUVOJĪETIES ierīcei brīvi kritošā apgērbā



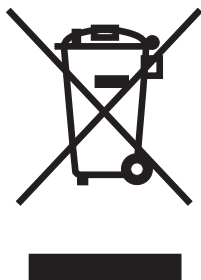
Aizsargājiet ierīci no nelabvēlīgiem laikapstākļiem



NENOŅEMIET drošības aizsargus un ierīces, kamēr ierīce darbojas

VIDES AIZSARDZĪBA

Informācija par (privāto mājsaimniecību) videi nekaitīgu Elektrisko un elektronisko iekārtu atkritumu (WEEE) utilizāciju



Šis simbols uz produktiem un/vai saistītajiem dokumentiem norāda, ka nolietotas elektriskās un elektroniskās iekārtas nedrīkst utilizēt kopā ar sadzīves atkritumiem. Lai pareizi utilizētu, apstrādātu, atjaunotu un otrreizēji pārstrādātu, nogādājat šos produktus piemērotos savākšanas centros, kur tos pieņem bez maksas. Dažās valstīs, iegādājoties līdzvērtīgu jauno produktu, vecos var atdot atpakaļ arī savam mazumtirgotājam. Ja šo produktu pareizi utilizē, tiek aizsargāti vērtīgi resursi un novērsta iespējama nelabvēlīga iedarbība uz cilvēku veselību un apkārtējo vidi, kas rodas, atkritumus nepareizi utilizējot un apstrādājot. Papildu informācijai par tuvākajiem savākšanas centriem sazinieties ar savu vietējo iestādi. Par nepareizu atkritumu utilizēšanu soda naudas tiek piemērotas saskaņā ar valsts likumdošanu.

UZŅĒMUMIEM EIROPAS SAVIENĪBĀ

Ja vēlaties utilizēt elektriskās un elektroniskās iekārtas, papildu informācijai sazinieties ar savu izplatītāju vai piegādātāju.

Informācija par utilizāciju citās valstīs ārpus Eiropas Savienības

Šis simbols ir derīgs tikai Eiropas Savienībā.

Ja vēlaties utilizēt šo produktu, sazinieties ar savu vietējo iestādi vai izplatītāju un noskaidrojiet piemērotu utilizācijas veidu.

ELEKTROS DUOMENYS

SVARBU

Šis gaminys turi elektinį plombuotą kištuką tinkantį prietaisui ir jūsų šalies maitinimo srovei, bei atitinka tarptautinių normatyvų reikalavimus.

Šis įrenginys turi būti prijungtas prie maitinimo įtampos, kuri yra lygi nurodytajai ant techninės lentelės. Jei kištukas ar maitinimo laidas yra pažeisti turi būti pakeisti detalėmis, identiškomis originaliosioms.

Visada laikykitės savo šalies nutarimų dėl prijungimo prie elektros maitinimo tinklo.

Tuo atveju kai dvejojate, visada kreipkitės į kvalifikuotą elektriką.

ĮŽANGA

Dėkojame, kad įsigijote mūsų produktą. Šio produkto kokybė patikrinta naudojant mūsų specialią produktų kokybės užtikrinimo programą. Mes pasirūpinome, kad šis produktas jus pasiektų puikios būklės.

SVARBIAUSIA – SAUGUMAS

Prieš pradėdami naudotis šiuo elektros prietaisu visuomet laikykitės toliau išvardintų esminių saugos taisyklių, taip iš esmės sumažinsite gaisro, elektros smūgio ar kitų avarinių situacijų riziką. Būtina pilnai perskaityti naudojimo instrukcijas ir suprasti šio prietaiso paskirtį, naudojimo sąlygas ir jo keliamus pavojus.

GARANTINIS LIUDIJIMAS

Šiam produktui suteikiama 2 metų garantija, skaičiuojama nuo produkto įsigijimo datos ir taikoma tik pirminiam produkto savininkui. Ši garantija galioja tais atvejais, kai garantinio laikotarpio metu prietaisas sugenda dėl defektinių medžiagų ar gamybinio broko, garantija netaikoma greitai besidėvinčioms dalims.

Gamintojas pasirinktinai sutaisys arba pakeis produktą, jei nebus pažeista nei viena iš toliau išvardintų sąlygų. Produktas buvo naudojamas laikantis produkto instrukcijose pateiktų nurodymų,

nebuvo naudojamas kitais nei instrukcijose numatyta tikslais. Produktas nebuvo ardomas, modifikuotas, prižiūrėtas/remontuotas neįgaliojusių tai daryti asmenų ir nebuvo nuomojamas. Garantija taip pat netaikoma pažeidimams atsiradusiems produkto transportavimo metu, už tokius pažeidimus atsako transportavimo kompanija. Garantiniai skundai turi būti pateikiami nedelsiant aptikus produkto defektą, kreipiantis tiesiogiai į produktą pardavusį platintoją, nesibaigus garantiniam laikotarpiui. Tik išskirtiniais atvejais produktas gali būti grąžinamas tiesiai gamintojui. Tokiais atvejais produkto savininkas turi pasirūpinti produkto grąžinimu, tinkamu jo įpakavimu apsaugant produktą nuo kitų pažeidimų, pateikiant trumpą defekto aprašymą bei pirkimo čekio kopiją ar kitą produkto įsigijimo įrodymą. Gamintojas negali būti atsakingas už bet kokius specialius, išskirtinius, tiesioginius, netiesioginius, atsitiktinius ar kitokius nuostolius ar žalą, susijusiais su šia garantija. Ši garantija yra priedas prie vartotojo teisių, kurios aprašytos 1973 metais prekių pardavimo rezoliucijoje, papildytoje 1975 ir 1999 metais, ir niekaip kitaip jų neįtakoja.

Šis elektrinis įrankis yra skirtas tik naudoti buitje. Jis nėra tinkamas ir nėra skirtas komerciniams tikslams, taip pat nėra tinkamas ir skirtas naudoti profesionaliai.

Garantija neapima elektrinių įrankių defektų ir žalos, kylančios dėl jų naudojimo ne pagal buities paskirtį, ypač jei panaudojama jėga arba prietaisas naudojamas netinkamai.

„Garantija negalioja, jei įrankis pažeidžiamas dėl vienos iš toliau nurodytų sąlygų:

1. jei produktas naudojamas netinkamai arba aplaidžiai, jei jis nėra tinkamai techniškai prižiūrimas;
2. jei produktas naudojamas komerciniams, profesiniams arba nuomos tikslais;
3. jei įrankio remonto darbus atliko neįgalioji techninės priežiūros bendrovė;
4. jei žalą sukėlė išoriniai daiktai arba medžiagos.”

ĮSTATYMINĖS TEISĖS

Ši garantija papildo ir niekaip kitaip neįtakoja jūsų įstatymais numatytų teisių.

PRODUKTO UTILIZACIJA

Kai produktas nebetinkamas eksploatacijai arba yra išmetamas dėl kitų priežasčių, jo negalima išmesti kartu su būtinėmis atliekomis. Siekiant išsaugoti natūralius resursus ir sumažinti neigiamą įtaką aplinkai, prašome jūsų pasirūpinti, kad produktas būtų perdirbamas arba utilizuojamas aplinkai saugiu būdu. Produktą reikia pristatyti į vietinį atliekų perdirbimo centrą ar kitą įgaliojimą turintį atliekų surinkimo ir utilizavimo punktą.

Jei kiltų kokių nors neaiškumų, pasikonsultuokite su vietiniais atliekų tvarkymo specialistais dėl galimų tokio produkto perdirbimo ir (arba) utilizavimo būdų.

SPECIALŪS SAUGOS NURODYMAI

Prieš bandydami naudoti šį gaminį perskaitykite ir išsaugokite šias instrukcijas.

PJOVIMO DISKO APSAUGA

ĮSPĖJIMAS: Besisukantys pjovimo diskai yra itin pavojingi, tad gali sunkiai sužeisti ar nutraukti galūnes. Pirštus ir rankas visada laikykite bent 150 mm (6 col.) atstumu nuo pjovimo disko. Niekada nebandykite patraukti pjaunamos medžiagos, kol nebus pakelta pjovimo galvutė, visiškai uždarytas apsaugos mechanizmas ir nustojęs sukintis pjovimo diskas. Naudokite tik gamintojo rekomenduojamus pjovimo diskus, kurie atitinka EN 847-1 standarto reikalavimus.

Nenaudokite sugadintų ar deformuotų pjovimo diskų, nes jie gali subyrėti ir sunkiai sužeisti operatorių bei šalia esančius asmenis.

Nenaudokite pjovimo diskų, pagamintų iš greitapjūvio plieno (HSS).

Nestabdykite pjovimo disko jėga spausdami iš inercijos besisukantį diską į pjaunamą medžiagą ar spausdami diską iš šonų.

Nenaudokite pjovimo diskų, kurie yra deformuoti ar juose trūksta dantų. Tai labai pavojinga ir operatorius bei šalia esantys asmenys gali patirti sunkų nelaimingą įvykį, be to, tai gali sugadinti įrenginį.

Nenaudokite didesnių už nustatytą pjovimo diskų; naudokite tik įrenginiui nustatytus pjovimo diskus. Ant disko nurodytas sukimosi greitis (min^{-1}) visada turi būti DIDESNIS už įrenginio sukimosi greitį (min^{-1}).

Užtikrinkite, kad ant pjovimo disko paženklinta krypties rodyklė sutaptų su variklio sukimosi kryptimi. Žiūrint iš pjūklo priekio pjovimo disko dantys visada turi būti nukreipti žemyn.

Jei sugadinamas ar sudyla stalelio įdėklas, jį reikia pakeisti identišku įdėklu, kurį galite įsigyti iš gamintojo, kurio duomenys pateikti šiose instrukcijose.

ASMENINĖ APSAUGOS PRIEMONĖS (AAP)

Siekiant sumažinti klausos pablogėjimo pavojų būtina naudoti klausos organų apsaugos priemones.

Siekiant išvengti regėjimo praradimo pavojų dėl išmetamų pjuvenų būtina būti užsidėjus akių apsaugos priemones.

Taip pat patartina naudoti kvėpavimo takų apsaugos priemones, nes kai kurių rūšių medienos ir medienos gaminių, ypač MDF (vidutinio tankio plaušo plokštės), dulksės gali kelti pavojų sveikatai. Dirbant su šiuo įrenginiu mes rekomenduojame naudoti ne tik dulkių ištraukimo įrangą, bet ir atestuotą veido kaukę su keičiamais filtrais.

Pirštines naudoti tvarkant pjovimo diskus ar grubiai apdirbtas medžiagas. Kai tai patogiu, pjovimo diskus rekomenduojama nešioti dėkluose.

Dirbant su nuožambiu pjūklų nepatartina mūvėti pirštinių.

SAUGUS DARBAS

Visada įsitikinkite, kad pjaunamai medžiagai pasirinkote tinkamą pjovimo diską. Šiuo nuožambiu pjūklų nepjaukite kitokių, nei nurodyta toliau tekste, medžiagų:

Mediena

Medienos gaminiai (MDF, medžio smulkinių plokštė, fanera, klijuota mediena, didelio tankio plaušo plokštė ir t. t.)

Aliuminis

Minkštas plienas (6 mm / 1/4 col. storio)

Transportuodami nuožambų pjūklą užtikrinkite, kad pjovimo galvutė būtų nulenкта žemyn 90° ir užfiksuota toje padėtyje (jei nuožambus pjūklas yra slankus,

užfiksuokite slankjuostes). Įrenginį kelkite abiem rankomis sugriebdami išorinius pagrindo kraštus (jei nuožambus pjūklas yra slankus, transportuokite paėmę už specialiai tam skirtų rankenų).

Jokiu būdu nekelkite ir netransportuokite įrenginio paėmę už atitraukiamo apsaugos mechanizmo ar bet kurios jo valdymo mechanizmo dalies.

Apsaugos mechanizmas visada turi būti savo vietoje ir gerai veikti. Atjungę įrenginį nuo elektros tinklo patikrinkite apsaugos mechanizmą ir įsitikinkite, kad jis veikia tinkamai.

Nuleiskite pjovimo galvutę taip, kad ji būtų žemiausioje padėtyje, ranka atsargiai pasukite pjovimo diską ir įsitikinkite, kad niekas nekliudo disko.

Prieš pradėdami naudoti nuožambų pjūklą pakartokite šią procedūrą visose kraštinėse nuožambaus pakreipimo ir kampinio pasukimo padėtyse.

Nuo darbo stalo ir grindų pašalinkite visas šiukšles, įskaitant pjuvenas, skiedras ir nuopjovas.

Pjovimo disko tvirtinimo ašis ir žiedas visada turi būti švarūs.

Kai būtina naudoti tarpiklius ar redukcinius žiedus, jie turi atitikti numatytąją paskirtį ir rekomenduojami gamintojo.

Jei nuožambiame pjūkle įtaisytas lazerinis prietaisas, jo negalima pakeisti kitokio tipo prietaisu. Jei lazerinis prietaisas sugenda, jį turi sutaisyti ar pakeisti įgaliotas techninės priežiūros atstovas.

Keisdami pjovimo diskus užtikrinkite, kad disko tvirtinimo žiedo paviršius su įgilinimu glaudžiai prisispautų prie disko paviršiaus.

Užtikrinkite, kad pjovimo disko tvirtinimo varžtas būtų patikimai priveržtas prie įrenginio pridedamais raktais. Nepriveržkite per stipriai.

Niekada nebandykite patraukti nuopjovų ar bet kokios kitos apdirbamos medžiagos dalies, kol nebus pakelta pjovimo galvutė, visiškai uždarytas apsaugos mechanizmas ir nustojęs sukintis pjovimo diskas.

Visada, jei patogiu, apdirbamą medžiagą prispauskite prie pjūklo stalelio tam skirtais darbiniais spaustuvais.

Visada prieš kiekvieną pjūvį įsitikinkite, kad nuožambus pjūklas yra stabilioje padėtyje.

Pjaudami ilgus ruošinius, jiems atremti naudokite pjovimo ožius ar darbinius suolus, įsitikinkite, kad priveržti visi tvirtinimo spaustuvai ir ne per didelis laisvumas.

ĮSPĖJIMAS: dirbant su bet koku nuožambiu pjūklų jūsų akių kryptimi gali būti išmetami pašaliniai objektai, kurie gali sunkiai sužeisti akis. Prieš pradėdami dirbti elektriniu įrankiu visada užsidėkite apsauginius sandarius akinius arba apsauginius akinius su šoniniais skydeliais, o kai būtina – viso veido kaukę.

ĮSPĖJIMAS: Jei trūksta kurios nors nuožambaus pjūklo dalies, nedirbkite su pjūklu, kol nesumontuosite trūkstamų dalių. Nepaisydami šios taisyklės galite patirti sunkią traumą.

PAPILDOMI SAUGOS NURODYMAI

Kai kurių rūšių medienos ir medienos gaminių, ypač MDF (vidutinio tankio plaušo plokštės), dulkės gali kelti pavojų sveikatai. Dirbant šiuo įrenginiu mes rekomenduojame naudoti ne tik dulkių ištraukimo įrangą, bet ir atestuotą veido kaukę su keičiamais filtrais. Užtikrinkite, kad elektriniai įrankiai būtų atjungiami nuo elektros tinklo, kai jie nenaudojami, prieš techninę priežiūrą, tepimą ar reguliavimą ir prieš keičiant priedus, pavyzdžiui, pjovimo diskus.

Prieš pradėdami bet kokį pjūvį visada palaukite, kol pjūklas pasieks maksimalų sūkių skaičių, leiskite jam sukintis kelias sekundes.

Jei girdimas neįprastas triukšmas ar pajuntama vibracija, nedelsdami **SUSTABDYKITE** įrenginį ir nustatykite priežastį.

Niekada nbandykite pjauti nelaikydami ruošinio. Visada užtikrinkite, kad ruošinys būtų patikimai prispaustas prie atraminės plokštelės ir stalelio atraminio paviršiaus.

Užtikrinkite, kad pjaunamam ruošiniui būtų pakankamai vietos judėti į šonus. To neužtikrinus, nupjauta dalis gali prisispauti prie pjovimo disko.

Jei ruošinio neįmanoma patikimai laikyti ranka, pjaudami jį laikykite laikikliu ar spaustuvu.

Užtikrinkite, kad netaisyklingos formos ar apvalūs ruošiniai būtų patikimai laikomi, kad negalėtų pajudėti ar prisisukti ir suspausti pjovimo disko.

Vienu metu nepjaukite daugiau nei vieno ruošinio.

Niekada nepjaukite ruošinių, kurie per maži, kad galėtumėte patikimai prispausti juos prie atraminės tvorelės nykščiu ir smiliumi.

Naudokite tik gamintojo rekomenduojamus pjovimo diskus.

Neįjunkite įrenginio, kai pjovimo diskas liečiasi prie ruošinio.

Patikrinkite, ar ruošinyje nėra išsikišusių vinių, medsraigčių galvučių ar bet ko, kas galėtų sugadinti pjovimo diską.

Nebandykite koku nors būdu pakeisti įrenginio ar jo priedų.

Spausdami ruošinį prie pjovimo disko nenaudokite per didelės jėgos.

Spaudžiant ruošinį prie pjovimo disko palaipsniui mažiau dyla įrenginys ir pjovimo diskas, padidėja efektyvumas ir eksploatacijos trukmė.

Nedirbkite pjūklu, jei nėra apsaugos mechanizmo.

Pakeiskite sudilusį įrenginio stalo įdėklą.

Nenaudokite pjūklo kitokioms nei aliuminiui, medienai ar panašioms medžiagoms pjauti.

Pjaudami sujunkite nuožambų pjūklą su dulkių surinkimo įranga.

Pjovimo diskus pasirinkite pagal pjaunamą medžiagą.

Pjaudami įpjovas dirbkite atsargiai.

ĮSPĖJIMAS! NEBANDYKITE PJAUTI DIDESNIO UŽ DIDŽIAUSIĄ LEISTINĄ PJOVIMO PARAMETRĄ RUOŠINIO.

PAPILDOMAS SAUGOS PATARIMAS DĖL NUOŽAMBAUS PJŪKLO PERNEŠIMO

Nepaisant to, kad šis nuožambus pjūklas yra kompaktiškas, jis yra sunkus. Kad sumažintumėte nugaros traumų pavojų, keldami pjūklą pasitelkite kompetentingą pagalbą.

Kad sumažintumėte nugaros traumų pavojų, keldami laikykite įrenginį prie savo kūno. Sulenkite kelius taip, kad keltumėte kojomis, o ne nugara. Kelkite laikydami už paėmimo vietų, esančių abiejose įrenginio pagrindo pusėse.

Niekada nekelkite nuožambaus pjūklo už maitinimo kabelio. Keliant nuožambų pjūklą už maitinimo kabelio gali būti pažeista jo izoliacija ar laidų jungtys, dėl to galite patirti elektros išrovą ar gali kilti gaisras.

Prieš perkeldami nuožambų pjūklą priveržkite nuožambumo ir įžambumo padėčių fiksavimo varžtus ir slankjuosčių fiksavimo varžtus, kad išvengtumėte staigių netikėtų judesių.

Pjovimo galvutę užfiksuokite žemiausioje padėtyje. Įsitinkite, kad pjovimo galvutės fiksavimo kaištis visiškai užsifiksavo tam skirtame lizde.

ĮSPĖJIMAS: Nenaudokite pjovimo disko apsaugos mechanizmo vietoje „kėlimo taško“. Prieš perkeliant įrenginį maitinimo kabelį reikia išjungti iš elektros tinklo lizdo.

SAUGOS TAISYKLĖS DĖL LAZERINIŲ ŠVIESOS PRIETAISŲ

Naudojama 2 klasės lazerio šviesa / lazerio spindulys, kurio maksimali galia 1 mW, bangos ilgis 650 nm.

Įprastai, šie lazeriai nekelti optinio pavojaus, tačiau žiūrėdami tiesiai į spindulį galite būti trumpam apakinti.

ĮSPĖJIMAS Nežiūrėkite tiesiai į lazerio spindulį. Pavojus gali kilti, jei tyčia žiūrėsite į spindulį. Laikykitės visų saugos taisyklių, konkrečiai:

Lazerinį prietaisą naudokite ir prižiūrėkite pagal gamintojo instrukcijas.

Niekada nenukreipkite spindulio į bet kurį asmenį ar objektą, išskyrus apdirbamą ruošinį.

Lazerio spindulio negalima tyčia nukreipti į darbuotojus, turi būti užkirstas kelias nukreipti spindulį į asmens akis ilgiau kaip 0,25 sek.

Visada užtikrinkite, kad lazerio spindulys nukreiptas į tvirtą ruošinį be atspindinčių paviršių, t. y. leidžiami medienos ar grubiai padengti paviršiai.

Lazeris nepritaikytas naudoti su šviesiais blizgiais atspindinčiais plieno ar panašios medžiagos lakštais, nes spindulys gali atsispindėti nuo atspindinčio paviršiaus į operatorių.

Nepakeiskite lazerio šviesos prietaiso kitokio tipo prietaisu. Taisyti lazerinį prietaisą turi prietaiso gamintojas arba įgaliotas atstovas.

BENDROSIOS SAUGAUS DARBO TAISYKLĖS DĖMESIO! Perskaitykite pilnai visas instrukcijas.

Jei nesilaikysite žemiau pateiktų nurodymų, gali sukelti elektros smūgio, gaisro ir (arba) rimtų sužeidimų pavojų. Visuose toliau pateikiamuose įspėjimuose naudojamas terminas „elektros prietaisas“, nurodo jūsų prietaisą jungiamą prie elektros maitinimo tinklo (laidinis) arba prietaisą, kuris maitinamas elektros akumulatoriaus (belaidis).

IŠSAUGOKITE ŠIAS INSTRUKCIJAS

1) DARBO ZONA

- a) Palaikykite darbo zonoje švarą ir užtikrinkite tinkamą apšvietimą. Betvarkę, ar šviesos trūkumas sukelia avarines situacijas.
- b) Nenaudokite elektros prietaiso sprogiuose aplinkose, pavyzdžiui patalpose, kuriose laikomi degus skysčiai, dujos ar dulkės. Elektros prietaisai sukelia kibirkštis, kurios gali sukelti tokių medžiagų degimą.
- c) Užtikrinkite, kad dirbant su elektros prietaisu, šalia nebūtų vaikų ir kitų pašalinių. Dėmesio nukreipimas gali sukelti avarines situacijas.

2) ELEKTROSAUGA

- a) Elektros prietaiso kištukas turi atitikti elektros tinklo lizdą. Jokiais atvejais nemodifikuokite elektros kištuko. Naudodami elektros prietaisą su įžeminimą užtikrinančiu kištuku, nenaudokite jokių adapterių. Nemodifikuoti kištukai ir tinkami elektros tinklo lizdai sumažins elektros smūgio riziką.
- b) Venkite kūno kontakto su įžemintais paviršiais, tokiais kaip vamzdžiai, radiatoriai, šaldytuvai ir kt. Jei jūsų kūnas liesis su įžemintais paviršiais, padidės elektros smūgio pavojus.
- c) Nenaudokite elektros prietaiso lietuje ar šlapioje aplinkoje. Vanduo patekęs į elektros prietaisą padidins elektros smūgio pavojų.
- d) Nenaudokite elektros laidu netinkamai. Niekuomet neneškite, netraukite ir neišjunginėkite elektros prietaiso iš elektros tinklo laikydami už elektros laidu. Saugokite elektros laidą nuo kaitros, alyvos, aštrių briaunų ar judančių dalių. Pažeisti ar susiraizgę laidai sukelia elektros smūgio pavojų.

- e) Dirbdami su elektros prietaisu lauko sąlygomis, naudokite tik lauko sąlygoms pritaikytą prailginimo laidą. Laido, tinkamo naudojimui lauko sąlygomis, naudojimas sumažina elektros smūgio pavojų.

3) ASMENINĖ SAUGA

- a) Dirbdami su elektros prietaisu visuomet būkite budrūs, stebėkite ką darote ir vadovaukitės sveiku protu. Nenaudokite elektros prietaiso jei esate pavargęs arba paveiktas vaistų, alkoholio ar narkotinių medžiagų. Akimirklai į šalį nukreiptas dėmesys gali sukelti rimtų sužeidimų.
- b) Naudokitės apsauginėmis priemonėmis. Visuomet dėvėkite akių apsaugą. Apsaugos priemonės, tokios kaip nuo dulkių apsaugančios kaukės, neslystantys batai, pakietinta kepurė ar šalmas, ausų apsauga, tam tikromis situacijomis apsaugos jus nuo sužeidimų.
- c) Užtikrinkite, kad prietaisas negalėtų įsijungti per klaidą. Prieš jungiant prietaisą prie elektros tinklo įsitikinkite, kad jungiklis yra išjungtas. Nešiodami elektros prietaisą su pirštu padėtu ant jungiklio arba galimas jungimas prie elektros tinklo, kai jungiklis yra įjungtas, gali sukelti pavojingas situacijas.
- d) Prieš įjungiant elektros prietaisą, pašalinkite bet koki reguliavimo raktą ar kitą įrankį. Raktas ar kitas įrankis padėtas prie besisukančių elektros prietaiso dalių, gali sukelti rimtų sužeidimų.
- e) Išlaikykite stabilią stovėseną. Darbo su elektros prietaisu metu visą laiką išlaikykite stabilią pozą ir balansą. Taip netikėtose situacijose geriau suvaldysite elektros prietaisą.
- f) Tinkamai apsirenkite. Nedėvėkite laisvų drabužių ar papuošalų. Saugokite, kad šalia judančių dalių nepakliūtų plaukai, drabužiai ar pirštinės. Laisvi drabužiai, papuošalai ar ilgi plaukai gali pakliūti ir užstrigti tarp judančių dalių.
- g) Jei tiekama dulkių surinkimo ir pašalinimo įrangą, būtinai ją pajunkite ir tinkamai naudokite. Šios įrangos naudojimas iš esmės sumažins dulkių keliamus pavojus.

4) ELEKTROS PRIETAISO NAUDOJIMAS IR PRIEŽIŪRA

- a) Nespauskite elektros prietaiso per stipriai. Pasirinkite tinkamą elektros prietaisą darbui atlikti. Su tinkamai parinktu elektros prietaisu ir dirbdami jam numatytu greičiu, darbą atliksite geriau ir saugiau.
- b) Nenaudokite prietaiso jei jungiklis neįsijungia arba neišsijungia. Bet kuris elektros prietaisas, kurio negalima valdyti jungiklių, kelia pavojų ir prieš naudojimą turi būti pataisytas.

- c) Prieš atliekant bet kokius elektros prietaiso reguliavimo ar priedų keitimo veiksmus ar paliekant elektros prietaisą darbo pabaigoje, visuomet atjunkite jį nuo elektros maitinimo tinklo. Tokie prevenciniai veiksmai sumažins atsitiktinio elektros prietaiso įsijungimo tikimybę.
- d) Elektros prietaisus laikykite vaikams nepasiekiamose vietose ir neleiskite asmenims, kurie nėra susipažinę su elektros prietaiso naudojimo taisyklėmis, naudotis prietaisu. Elektros prietaisai, naudojami nekvalifikuotų asmenų, kelia rimtą pavojų.
- e) Prižiūrėkite elektros prietaisus. Tikrinkite, ar elektros prietaisas nėra išsibalansavęs, ar nestringa prietaiso judančios dalys, ar nėra prietaiso ar jo dalių pažeidimų ir bet kokių kitokių situacijų, kurios gali paveikti elektros prietaiso darbą. Jei elektros prietaisas pažeistas, perduokite jį remontui. Didelę nelaimingų atsitikimų dalį sukelia netinkamai prižiūrimi elektros prietaisai.
- f) Užtikrinkite, kad priedai skirti pjovimui visuomet būtų aštrūs ir švarūs. Tinkamai prižiūrimi pjovimo įrankiai, aštriomis briaunomis, rečiau stringa ir yra žymiai lengviau valdomi.
- g) Elektros prietaisą, priedus ir įrankius naudokite tik laikydamiesi šiose instrukcijose pateiktų nurodymų ir įvertinant naudojamo elektros prietaiso tipą, darbinės sąlygas bei darbą, kurį reikia atlikti. Elektros prietaiso naudojimas užduotims, kurios nėra numatytos, gali sukelti pavojų.

5) APTARNAVIMAS

- a) Elektros prietaiso priežiūrą ir remontą patikėkite tik kvalifikuotiems specialistams, dalių pakeitimui naudokite tik identiškas dalis. Taip užtikrinsite elektros prietaiso saugumą.

IŠPAKAVIMAS

Atsargiai! Pakuotėje yra aštrių daiktų. Išpakuodami būkite atsargūs. Išimkite iš pakuotės įrenginį kartu su visais priedais. Atidžiai patikrinkite ir įsitinkite, kad prietaisas geros būklės ir yra visi šioje instrukcijoje išvardyti priedai. Taip pat įsitinkite, kad visi priedai tinkamai sukomplektuoti. Jeigu kurios nors dalies trūksta, prietaisas kartu su priedais turi būti grąžintas originalioje pakuotėje pardavėjui.

Neišmeskite pakuotės, laikykite ją saugiai visą garantinio laikotarpio trukmę, o tada, jei įmanoma, atiduokite perdirbti arba kitaip tinkamai pašalinkite. Neleiskite vaikams žaisti su tuščiais plastikiniais maišeliais, nes kyla pavojus uždusti.

PRIEDAI

Montuokite tik originalias atsargines dalis, kurios atitinka elektrinio įrenginio sukūsius ir patį įrenginį.

FXAJ1G-ZP8-210C tiekiamas su šiais priedais:

- 48 dantų pjovimo diskas (sumontuotas)
- Dulkių maišelis

- Darbinis spaustuvas
- Šoniniai ilginamieji strypai (x 2)
- 6 mm pjovimo disko šešiakampis atsuktuvus

SUDEDAMOSIOS DALYS IR VALDIKLIAI (1 IR 1A PAV.)

1.	Dulkių maišelis
2.	Dulkių ištraukimo anga
3.	Viršutinis nejudantis pjovimo disko apsaugos elementas
4.	Blokavimo svirtis
5.	Darbinė rankena
6.	Pasukamas pjovimo disko apsaugos elementas
7.	Šoninės atraminės juostos padėties kiaurymės (2 rinkiniai)
8.	Stalo įdėklas (prapjauta plokštė)
9.	Įžambios padėties fiksavimo rankena
10.	Įžambios padėties fiksatoriaus atlaisvinimo skląstis
11.	6 mm šešiakampis atsuktuvus
12.	Šoninis ilginamasis strypas (kairys)
13.	Šoninis ilginamasis strypas (dešinys)
14.	Spaustuvo mechanizmas
15.	Šoninės atraminės juostos fiksavimo varžtas
16.	Stalo tvorelė
17.	Slankjuostės
18.	Įžambus stalas
19.	Įžambumo skalė
20.	Įj./išj. jungiklis su strekte
21.	Pjovimo gylio reguliavimo sraigtas
22.	Slydimo fiksavimo rankenėlė
23.	Pasukimo padėties fiksatorius
24.	0° pasukimo reguliavimo sraigtas
25.	Spaustuvo mechanizmo fiksatorius (x 2)
26.	Atlaisvinimo rankenėlė
27.	Pjovimo gylio fiksavimo veržlė
28.	Pasukimo skalė
29.	Veleno užrakto mygtukas

SURINKIMAS

Pastaba: Prieš atlikdami bet kokius įrenginio surinkimo ar ardymo darbus įsitikinkite, kad įrenginys išjungtas iš elektros tinklo lizdo.

TRANSPORTAVIMAS (2 PAV.)

Nuožambų pjūklą kelkite tik užfiksavę pjovimo svirtį apatinėje padėtyje, išjungę pjūklą ir ištraukę maitinimo kabelio kištuką iš elektros tinklo lizdo. Pjūklą galite kelti tik už išlietų pagrindo dalių. NeKelkite pjūklo paėmę už apsaugos mechanizmo.

TVIRTINIMAS PRIE DARBASTALIO (3 PAV.)

Pjūklo pagrinde yra 4 tvirtinimo kiaurymės, palengvinančios tvirtinimo prie darbostalio operacijas. Pritvirtinkite pjūklą ant lygaus, horizontalaus darbostalio varžtais (nepridedami) per pjūklo pagrinde esančias tvirtinimo kiaurymes.

PASTABA Jei norite, galite pritvirtinti pjūklą prie 8 mm ar storesnės faneros lapo, kurį po to galite spaustuvais pritvirtinti prie darbinės atramos arba perkelti į kitas darbo vietas, kuriose galite pritvirtinti pjūklą spaustuvais.

ATSARGIAI. Įsitikinkite, kad tvirtinimo paviršius nedeformuotas, nes dėl nelygaus paviršiaus gali įstrigti pjovimo diskas ir netiksliai pjauti.

ŠONINIAI ILGINAMIEJI STRYPAI (4 PAV.)

Atramas įkiškite į išlieto pagrindo šone esančias kiaurymes. Priverždami šoninės atraminės juostos fiksavimo varžtą įtvirtinkite šoninius ilginamuosius strypus (4 pav.).

PASTABA: Prieš dedant ruošinius ant pjūklo reikia patikimai priveržti šoninės atraminės juostos fiksavimo varžtą.

DULKIŲ MAIŠELIS (5 PAV.)

Dulkių maišelis užmaunamas ant dulkių ištraukimo įrangos angos. Suspauskite du metalinius liežuvėlius, esančius dulkių ištraukimo maišelio gale, ir užmaukite maišelį ant dulkių ištraukimo įrangos angos.

Kad maišelis veiktų veiksmingiau, išpilkite dulkes, kai maišelis prisipildo iki pusės.

Tokiu būdu pasiekiamas geresnis oro srautas pro maišelį. Be to, prie dulkių ištraukimo angos galima prijungti dulkių ištraukimo sistemą, kad darbo zona būtų švaresnė ir saugesnė.

PRISPAUDIMO MECHANIZMO TVIRTINIMAS (6 PAV.)

Galinėje įrenginio tvorelėje yra po du lizdus (kiekvienoje pusėje). Šie lizdai skirti prispaudimo mechanizmo padėtimis nustatyti.

Įstatykite spaustuvą į tą atraminį lizdą, kuris geriausiai atitinka pjaunamą ruošinį, ir įsitikinkite, kad jis įstumtas iki galo.

Atsuktuvu priveržkite spaustuvo mechanizmo fiksatorių ir užfiksukite spaustuvo stovą tvorelės lizde (6 pav.).

Padėkite pjaunamą ruošinį ant pjūklo stalelio norimoje padėtyje prie tvorelės.

Sureguliuokite spaustuvą varžtais su didelėmis galvutėmis ir rankenėle taip, kad jis patikimai prispaustų ruošinį prie pjūklo stalelio.

Atlikite „pjūvį“ neįjungdami pjūklo. Įsitikinkite, kad spaustuvas nekliudo pjūklo eigai ar bet kurios pjovimo galvutės dalies eigai nuleidus galvutę.

STALELIO SUREGULIAVIMAS STATMENAI PJOVIMO PJŪKLUI

Įsitikinkite, kad maitinimo kabelio kištukas ištrauktas iš elektros tinklo lizdo.

Pjūklo rankeną nuspauskite į žemiausią jos padėtį (7 pav.) ir užfiksukite atleidimo rankenėle, kad ji laikytų pjūklo rankeną gabenimo padėtyje (8 pav.).

Įsukite įžambumo padėties fiksavimo rankenėlę (9 pav.).

Sukite stalelį, kol rodyklė bus ties 0°. Priveržkite įžambumo padėties fiksavimo rankenėlę. (10 pav.)

Atlaisvinkite nuožulnumo padėties fiksatorių ir pjūklo svirtį nustatykite į 0° įžambumo padėtį (pjovimo diskas 90° kampu į nuožulnaus pjūklo stalelį). (11 pav.)

Priveržkite nuožulnumo padėties fiksatorių (12 pav.).

Pridėkite kampainį prie pjūklo stalelio ir pjovimo disko šono (13 pav.).

PASTABA. Įsitikinkite, kad kampainio briauna liečiasi prie pjovimo disko, o ne prie jo dantų. Ranka pasukite pjovimo diską ir patikrinkite sureguliuojamą keliuose taškuose. Kampainio briauna ir pjovimo diskas turi būti lygiagretūs.

Jei pjovimo diskas ne lygiagretus su kampainio briauna, sureguliuokite taip:

Atlaisvinkite pasukimo padėties fiksatorių (15 pav.)

10 mm ar reguliuojamo dydžio raktu sureguliuokite varžto antveržlę (16 pav.), įsitikinkite, kad kampainio briauna būtų lygiagreti su pjovimo disku.

Priveržkite pasukimo padėties fiksatorių.

Atlaisvinkite varžtelį, laikantį nuožulnumo skalės rodyklę, ir nustatykite jos padėtį taip, kad ji tiksliai sutaptų su nuline skalės padėtimi. Priveržkite varžtelį (17 pav.).

Vėl priveržkite nuožulnumo padėties fiksatorių ir 0° nuožulnumo reguliavimo varžto antveržlę.

PASTABA. Tokią pačią procedūrą galima naudoti norint patikrinti pjovimo disko padėtį esant 45° nuožulnumui. 45° nuožulnumo reguliavimo varžtas yra kitoje pjūklo svirties pusėje.

PJOVIMO GYLIO REGULIAVIMAS

Normalioje padėtyje pjovimo gylio stabdiklis leidžia pjovimo diskui visiškai perpjauti ruošinį.

Norėdami sureguliuoti pjovimo gylio stabdiklį ištraukite atlaisvinimo rankenėlę ir visiškai pakelkite pjūklo svirtį (18 pav.).

Kai pjūklo svirtis pakelta, pjovimo gylio stabdiklį galima sureguliuoti taip, kad nuleidus pjūklo svirtį pjovimo gylio reguliavimo varžtas atsiremtų į stabdiklį.

Stabdiklio padėtį nustatykite stumdami jį į išorę (19 pav.). Jei pjovimo gylio stabdiklis nejuda, šiek tiek atlaisvinkite varžtą kryžminiu atsuktuvu.

Tokiu būdu galėsite ruošinį tik įpjauti.

Įpjovos gylį galite sureguliuoti pjovimo gylio reguliavimo varžtu ir užfiksuoti pjovimo gylio reguliavimo varžto antveržle (20 pav.).

DARBAS SU ĮRENGINIU

Norint pjūklą įjungti, reikia patraukti blokavimo svirtį į kairę (21 pav.), o po to paspausti ir laikyti nuspaudus įjungimo ir išjungimo jungiklį (22 pav.).

Kai pjovimo diskas pasieks maksimalų sūkių skaičių (maždaug po 2 sekundžių) nuleiskite pjovimo diską pro ruošinį (23 pav.). Baigę pjūvį atleiskite jungiklio strektę ir prieš pakeldami pjovimo diską nuo ruošinio palaukite, kol nustos suktis diskas. Prieš paimdami ruošinį palaukite, kol sustos pjovimo diskas.

SKERSAVIMAS (BE SLANKIOSIOS FUNKCIJOS)

Norint perpjauti siaurus medienos ruošinius slankioji funkcija nereikalinga. Tokiais atvejais įsitikinkite, kad slydimo fiksatorius įsuktas ir pjūklo svirtis neslysta (24 pav.).

Skersinis pjūvis atliekamas pjaunant skersai ruošinio. 90° skersinis pjūvis atliekamas nustačius 0° įžambumą. Įžambūs pjūviai atliekami nustačius stalelį į ne nulinio laipsnių padėtį.

Patraukite atlaisvinimo rankeną ir pakelkite pjūklo svirtį į maksimalų aukštį.

Atlaisvinkite įžambumo fiksatorių. Sukite įžambaus pjovimo stalelį, kol rodyklė sutaps su reikiamu kampu. Vėl priveržkite įžambumo fiksatorių.

ĮSPĖJIMAS Prieš pjaudami įsitikinkite, kad priveržtas įžambumo fiksatorius. To neatlikus, pjūvio metu stalelis gali sujudėti ir sukelti sunkią traumą.

Padėkite ruošinį plokštuma ant stalelio ir vieną kraštą prispauskite prie tvorelės. Jei lenta išsikreipusi, prie tvorelės dėkite išgaubta puse. Jei prie tvorelės dėsite įgaubta puse, lenta gali trūkti ir suspausti pjovimo diską.

Pjaudami ilgus medienos ruošinius paremkite išsikišančius medienos galus šoniniais ilginamaisiais strypais, ritininio stovu ar darbiniumi paviršiumi, esančiu viename aukštyje su pjūklo staleliu.

Jei tik įmanoma, ruošinį įtvirtinkite spaustuvo mechanizmu.

Atlaisvinus spaustuvo mechanizmo fiksatorių spaustuvo mechanizmą galima išimti ir perkelti į kitą pjūklo stalelio pusę. Prieš naudodami spaustuva įsitikinkite, kad priveržtas spaustuvo mechanizmo fiksatorius. Prieš įjungdami pjūklą imituokite pjūvį neįjungę variklio ir patikrinkite, ar nėra jokių problemų.

Tvirtai laikydami darbinę rankeną nuspauskite jungiklio strektę. Palaukite, kol pjovimo diskas pasieks maksimalų sūkių skaičių.

Nuspauskite atlaisvinimo skląstį ir lėtai nuleiskite pjovimo diską į ruošinį ir skersai jo.

Atleiskite jungiklio strektę ir prieš pakeldami pjovimo diską nuo ruošinio palaukite, kol nustos suktis diskas. Prieš paimdami ruošinį palaukite, kol sustos pjovimo diskas.

SKERSAVIMAS (SU SLANKIĄJA FUNKCIJA)

Pjaudami plačius ruošinius pirmiausiai atsukite slankjuosčių fiksatorių (24 pav.).

Patraukite atlaisvinimo rankenėlę, pakelkite pjūklo svirtį į aukščiausią padėtį ir paslinkite į save.

Tvirtai laikydami rankeną nuspauskite jungiklio strektę. Palaukite, kol pjovimo diskas pasieks maksimalius sūkius. Nuspauskite atlaisvinimo skląstį ir lėtai nuleiskite pjovimo diską į ruošinį ir stumkite tolyn nuo savęs, kol perpjausite visą ruošinį.

Atleiskite jungiklio strektę ir prieš pakeldami pjovimo diską nuo ruošinio palaukite, kol nustos suktis diskas.

Prieš paimdami ruošinį palaukite, kol sustos pjovimo diskas.

NUOŽAMBUS PJŪVIS

Nuožambus pjūvis atliekamas pjaunant skersai ruošinio pakreipus pjovimo diską kampu į tvorelę ir pjūklo stalelį. Pjūklo stalelis nustatomas nulinio laipsnių padėtyje ir pjovimo diskas kampu tarp 0° ir 45° į kairę (25 pav.).

Pakartokite skersavimo veiksmus (su slankiąja funkcija ar be jos).

Atlaisvinkite nuožambumo fiksatorių ir pakreipkite pjūklo svirtį į kairę iki reikiamo nuožambumo kampo (tarp 0° ir 45°).

Priveržkite nuožulnumo fiksatorių.

ĮSPĖJIMAS: Prieš pjaudami visada įsitikinkite, kad visiškai priveržtas nuožambumo fiksatorius.

JUNGTINIS NUOŽAMBIAI ĮŽAMBUS PJŪVIS

Jungtinis nuožambiai įžulnus pjūvis vienu metu susijęs su įžambumo ir nuožambumo kampais.

Jis naudojamas gaminant paveikslų rėmus, išpjaunant liejimo formas, gaminant dėžutes su nuolaidžiais šonais ir ruošiant stogo karkasą.

Prieš pjaudami gerus medžio ruošinius visada atlikite bandomąjį pjūvį su medžio atliekomis.

Pjaudami plačius ruošinius naudokite slankiąją funkciją.

TECHNINIS TVARKYMAS IR PRIEŽIŪRA

PJOVIMO DISKO KEITIMAS

PAVOJUS: Pjovimo diskas yra labai aštrus ir su juo reikia dirbti atsargiai. Niekada nebandykite naudoti didesnio, nei nustatyta pjūklui, pjovimo disko. Jis gali liestis prie pjovimo disko apsaugos elementų. Niekada nenaudokite pjovimo disko, kuris yra per storas, dėl kurio išorinė disko poveržlė negalėtų susikabinti su ašies plokštumomis.

Dėl to negalėtumėte pjovimo disko varžtu tinkamai priveržti disko ant ašies.

Pjūklui nepjaukite metalo ar mūro dirbinių.

Įsitikinkite, kad bet kokie reikiami tarpikliai ar ašies žiedai atitinka ašį ir sumontuotą pjovimo diską.

Įsitikinkite, kad maitinimo kabelio kištukas ištrauktas iš elektros tinklo lizdo.

Paspauskite darbinę rankeną žemyn ir patraukite atlaisvinimo rankenėlę, kad atlaisvintumėte pjūklo svirtį.

Atlaisvinimo rankenėlę galima pasukti taip, kad ji liktų ištrauktoje padėtyje.

Pakelkite pjūklo svirtį į aukščiausią padėtį.

Pasukite apatinį pjovimo disko apsaugos elementą (26 pav.) aukštyn į viršutinį pjovimo disko apsaugos elementą ir nuspauskite ašies fiksavimo mygtuką (27 pav.). Sukite pjovimo diską, kol užsifiksuos ašis.

6 mm šešiakampiu atsuktuvu išsukite pjovimo disko tvirtinimo varžtą (28 pav.). (Atlaisvinkite sukdamai pagal laikrodžio rodyklę, nes pjovimo disko tvirtinimo varžto sriegis yra kairinis.)

Nuimkite poveržlę, išorinį pjovimo disko antbriaunį ir pjovimo diską.

Pjovimo disko išorinio ir vidinio antbriaunio dalis, kuriomis jie liečiasi prie pjovimo disko, nušluostykite šluoste su lašeliu alyvos.

Uždėkite naują pjovimo diską ant ašies; įsitikinkite, kad už pjovimo disko yra vidinė disko poveržlė.

ATSARGIAI. Kad užtikrintumėte tinkamą pjovimo disko sukimosi kryptį, visada montuokite pjovimo diską taip, kad jo dantys ir disko šone esanti rodyklė būtų nukreipti žemyn (28 pav.).

Pjovimo disko sukimosi kryptis taip pat rodyklės forma įspausta į viršutinį pjovimo disko apsaugos elementą.

Uždėkite išorinę pjovimo disko poveržlę.

Nuspauskite ašies fiksavimo mygtuką ir įsukite pjovimo disko tvirtinimo varžtą.

6 mm šešiakampiu atsuktuvu patikimai priveržkite pjovimo disko tvirtinimo varžtą (prieš laikrodžio rodyklę).

Patikrinkite, ar nuleidus pjūklo svirtį tinkamai veikia pjovimo disko apsaugos mechanizmas ir uždengia pjovimo diską.

Įjunkite pjūklą į elektros tinklo lizdą ir įjunkite jungiklį su strekte, kad įsitikintumėte, ar jis tinkamai veikia.

Pastaba: Kaskart prieš naudodami pjūklą, naudodami ir pasinaudoję juo patikrinkite pjovimo disko tvirtinimo varžto priveržimą.

TECHNINĖ PRIEŽIŪRA

Įrenginio oro angos visada turi būti neužsikimšusios ir švarios.

Periodiškai patikrinkite, ar į groteles prie variklio ir prie jungiklio su strekte nepateko dulkių ar kitokių pašalinių objektų. Susikaupusias dulkes nuvalykite minkštu šepetėliu. Valydami, kad apsaugotumėte akis, būkite užsidėję apsauginius akinius.

Reguliariais intervalais patepkite visas judančias dalis.

Jei reikia nuvalyti pjūklo korpusą, šluostykite švelniu drėgnu audeklu. Galite naudoti švelnią valymo priemonę, bet ne alkoholį, benziną ar kitokią valymo priemonę.

Niekada nenaudokite šarminių medžiagų plastikinėms dalims valyti.

ATSARGIAI. Saugokite, kad ant pjūklo niekada nepatektų vandens.

BENDROJI PATIKRA

Reguliariai patikrinkite, ar pakankamai priveržti visi tvirtinimo varžtai. Ypač atidžiai patikrinkite išorinį antbriaunį. Esant vibracijoms per tam tikrą laiką varžtai gali atsilaisvinti.

Reguliariai tikrinkite, ar nepažeistas įrenginio maitinimo kabelis ir visi naudojami ilgutuvai. Jei reikia pakeisti maitinimo kabelį, šį darbą turi atlikti gamintojas, gamintojo atstovas ar įgaliotas techninės priežiūros centras, kad išvengtumėte su sauga susijusių pavojų. Pakeiskite pažeistus ilgutuvus.

TECHNINĖS SPECIFIKACIJOS

Įtampa	~230 V, 50 Hz
Vardinė naudojama galia	1500W
Variklio sūkių skaičius be apkrovos	4500 min ⁻¹
Pjovimo disko skersmuo	Ø 210 mm
Dantų skaičius	48 HW
Pjovimo disko kiaurymės skersmuo	Ø 30 mm
Įžambaus stalelio kampas	-45°/0°/+45°
Nuožambumo kampai	45° į kairę
Tiesus pjūvis esant 0° x 0°	305 x 70 mm
Įžambus pjūvis esant 45° x 0°	215 x 70 mm
Nuožambus pjūvis esant 0° x 45°	305 x 35 mm
Įžambiai nuožambus pjūvis esant 45° x 45°	215 x 35 mm
Svoris	11,0 kg

TRIUKŠMO IR VIBRACIJOS DUOMENYS

Svertinis triukšmo slėgis: L_{pA} 93,6 dB(A)

Svertinė triukšmo galia: L_{WA} 106,6 dB(A)

Neapibrėžtis, K [m/s²] K=3 dB(A)

Tipiška svertinė vibracija: 3,64 m/s² K=1,5 m/s²

Operatorių veikiančio triukšmo intensyvumo lygis gali viršyti 85 dB(A), todėl būtina naudoti apsaugos nuo triukšmo priemones.

- kad deklaruojama suminė vibracijų vertė išmatuota standartiniu bandymų metodu ir ją galima naudoti norint palyginti vieną įrenginį su kitu;

- kad deklaruojama suminė vibracijų vertė taip pat gali būti naudojama preliminariam poveikiui įvertinti.

ĮSPĖJIMAS:

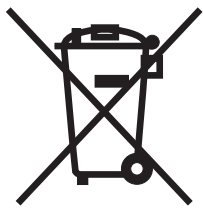
- vibracija, sukuriama realiai naudojant elektrinį įrenginį, gali skirtis nuo deklaruojamos suminės vertės, priklausomai nuo įrenginio naudojimo lengvumo; ir

- poreikio nustatyti saugos priemones operatoriui apsaugoti, kurios pagrįstos poveikio įvėrciu faktinėmis naudojimo sąlygomis (atsižvelgiant į visas naudojimo ciklo dalis, pavyzdžiui, laiką, kai įrenginys išjungtas, kai veikia tuščiąja eiga papildomai prie įjungimo laiko).

APLINKOSAUGA

Informacija dėl elektros ir elektronikos prietaisų utilizavimo apsaugant aplinką nuo kenksmingų veiksnių (WEEE direktyva).

Šis simbolis matomas ant produkto arba jį lydinčios dokumentacijos nurodo, kad panaudoti ir nebeekspluatuojami elektriniai ir elektroniniai prietaisai neturi būti išmetami kartu su buitinėmis atliekomis. Siekiant tinkamai utilizuoti,



pakeisti, atstatyti arba perdirbti elektros prietaisus, juos būtina pristatyti į specialius surinkimo punktus, kur jie priimami nemokamai. Tam tikrose šalyse, tokius prietaisus galima grąžinti prietaisų pardavusiai kompanijai, jei įsigyjamas analogiškas naujas prietaisas. Tinkamas elektros prietaisų utilizavimas padeda išsaugoti vertingus resursus ir apsaugo žmonių sveikatą ir aplinką nuo bet kokios potencialios neigiamos įtakos, kuri gali atsirasti jei prietaisas bus netinkamai naudojamas arba utilizuojamas. Prašome susisiekti su vietiniais specialistais, kurie jums nurodys artimiausio specialiojo surinkimo punkto koordinatas. Už netinkamą ir šalyje galiojančių taisyklių neatitinkantį elektros prietaisų utilizavimą taikomos nuobaudos.

KLIENTAMS EUROPOS SĄJUNGOS RIBOSE.

Jei pageidaujate išmesti elektrinę arba elektroninę įrangą, prašome susisiekti su mūsų įrangos platintojais ar tiekėjais dėl platesnės informacijos.

Informacija dėl įrangos utilizavimo šalyse, nepriklausančiose Europos Sąjungai.

Šis simbolis galioja tik Europos Sąjungos šalių ribose.

Jei pageidaujate atsikratyti šio prietaiso, prašome susisiekti su vietinėmis institucijomis arba prekių pardavimo kompanija ir sužinoti legalų prietaiso utilizavimo būdą.

SIMBOLIAI

Jūsų įrenginio techninių duomenų plokštelėje gali būti nurodyti simboliai. Jie žymi svarbią informaciją apie gaminį ar nurodymus dėl jo naudojimo.



Naudoti klausos organų apsaugos priemonės.
Būti užsidėjus apsauginius akinius.
Naudoti kvėpavimo takų apsaugos priemonės.



Atitinka reikiamus saugos standartus.



Dviguba izoliacija dėl papildomos apsaugos.



Skaityti naudojimo instrukciją.



Pavojinga įtampa.



Įpjovimo pavojus.



Pavojus! Skalus korpusas



NEVALYTI, NETEPTI ir NETAISYTI veikiant įrenginiui.



Gaminys atitinka Direktyvos dėl tam tikrų pavojingų medžiagų naudojimo elektros ir elektroninėje įrangoje apribojimo reikalavimus.



Bendrasis įspėjimas



Nenaudojamų elektrinių gaminių negalima išmesti kartu su buitinėmis atliekomis. Pristatykite į specialius surinkimo punktus, kad vėliau ji būtų perdirbama. Jei reikia informacijos dėl perdirbimo, kreipkitės į savo vietos valdžios institucijos arba į parduotuvės, kurioje įsigijote šį gaminį, darbuotoją.



NELIESKITE besisukančio pjovimo disko



Nesiartinkite prie įrenginio su palaidais drabužiais



Saugokite įrenginį nuo nepalankių oro sąlygų



NENUIMKITE apsaugos elementų ir prietaisų veikiant įrenginiui

EU DECLARATION OF CONFORMITY

1. **Product model • Tuotteen malli • Produktmodell • Produktmodell:** FXAJ1G-ZP8B-210C

2. **Name and address of the manufacturer or his authorised representative:**

Valmistajan tai valtuutetun edustajan nimi ja osoite:

Tillverkarens eller dess auktoriserade representants namn och adress:

Navn og adresse til produsenten eller dennes autoriserte representant:

NAP BRANDS LTD. Napier House, Unit 7, Corunna Court, Warwick, United Kingdom CV34 5HQ

Tel: +44(0)1926 482880. Email: sales@napbrands.co.uk

3. **This declaration of conformity is issued under the sole responsibility of the manufacturer.**

Tämä vaatimustenmukaisuusvakuutus on julkaistu yksinomaan valmistajan vastuulla.

Denna deklaration om överensstämmelse utfärdas på eget ansvar av tillverkaren.

Produsenten står fullt og helt ansvarlig for denne samsvarserklæringen.

4. **Object of the declaration • Vakuutuksen kohde • Målet med deklarationen • Erklæringen gjelder**

Equipment • Laite • Utrustning • Utstyr: Sliding Mitre Saw

Brand name • Tuotemerkki • Namn på varumärke • Merkenavn: FXA

Model/type • Malli/tyyppi • Modell/typ • Modell/type: FXAJ1G-ZP8B-210C

5. **The object of the declaration described above is in conformity with the relevant Union harmonisation legislation:**

Yllä kuvatun vakuutuksen kohde on olennaisten Unionin harmonisaatiolainsäädäntövaatimusten mukainen:

Målet med ovanstående deklaration är överensstämmelse med relevant unionslagstiftning om harmonisering:

Gjenstanden som erklæringen over gjelder for, er i samsvar med relevante harmoniseringsregler innenfor EU:

2006/42/EC, 2014/30/EU, 2011/65/EU & (EU)2015/863

6. **References to the relevant harmonised standards used or references to the other technical specifications in relation to which conformity is declared:**

Viitteet olennaisiin käytössä oleviin harmonisoiuihin standardeihin tai viitteet muihin teknisiin tietoihin, jotka liittyvät vakuutuksen ilmoitukseen:

Hänvisningar till de relevanta harmoniserade standarder som används eller hänvisningar till andra tekniska specifikationer enligt vilken överensstämmelse försäkras:

Henvísninger til relevante harmoniseringsstandarder som er brukt, eller henvisninger til andre tekniske spesifikasjoner der samsvarserklæring er gitt:

EN 55014-1; EN 55014-2; EN 61000-3-2; EN 61000-3-3; EN 62841-1; EN 62841-3-9

7. **The person authorized to compile the technical file • Henkilö, joka on valtuutettu teknisen tiedoston kokoamiseen**
Den person som är behörig att ställa samman den tekniska dokumentationen • Person med autorisasjon til å sette sammen teknisk fil

Name • Nimi • Namn • Navn: Robert Redfern

Address • Osoite • Adress • Adresse: Nap Brands Ltd. Napier House, Unit 7, Corunna Court, Warwick, UK CV34 5HQ

Signed for and on behalf of • Allekirjoitus ja allekirjoittaja • Signerad och ombud för • Undertegnet for/på vegne av

Authorised Representative • Valtuutettu edustaja • Auktoriserad representant • Autorisert representant



Robert Redfern, Technical Manager

23/05/2019

EU DECLARATION OF CONFORMITY

1. **Toote mudel • Izstrādājuma modelis • Gaminio modelis • Model produktu:** FXAJ1G-ZP8B-210C

2. **Tootja või tema volitatud esindaja nimi ja aadress:**

Ražotāja vai tā pilnvarotā pārstāvja vārds / nosaukums un adrese:

Gamintojo arba jo įgaliooto atstovo pavadinimas ir adresas:

Nazwa i adres producenta lub jego upoważnionego przedstawiciela:

NAP BRANDS LTD. Napier House, Unit 7, Corunna Court, Warwick, United Kingdom CV34 5HQ

Tel: +44(0)1926 482880. Email: sales@napbrands.co.uk

3. **Käesolev vastavusdeklaratsioon on välja antud tootja ainuvastutusel.**

Šī atbilstības deklarācija ir izdota vienīgi uz šāda ražotāja atbildību:

Visa atsakomybė už šią atitikties deklaraciją tenka gamintojui.

Niniejsza deklaracja zgodności została wydana na wyłączną odpowiedzialność producenta.

4. **Deklareeritav toode • Deklarācijas priekšmets • Deklarācijas dalykas • Cel deklaracijai**

Seadmed • Aprīkojums • Įranga • Urządzenie: Sliding Mitre Sa

Kaubamārk • Zīmola nosaukums • Prekių ženklas • Marka: FXA

Mudel/tüüp • Modelis / tips • Modelis ir (arba) tipas • Model/typ: FXAJ1G-ZP8B-210C

5. **Eelkirjeldatud deklareeritav toode on kooskõlas asjaomaste liidu ühtlustamisaktidega:**

Iepriekš aprakstītais deklarācijas priekšmets atbilst attiecīgajiem Savienības saskaņotajiem tiesību aktiem:

Šios deklarācijas dalykas yra atitiktis atitinkamiems Sąjungos derinamiesiems teisės aktams:

Treść powyższej deklaracji jest zgodna ze stosownymi zharmonizowanymi przepisami UE:

2006/42/EC, 2014/35/EU, 2014/30/EU, **2011/65/EU & (EU)2015/863**

6. **Viited asjaomastele kasutatud harmoneeritud standarditele või viited muudele tehnilistele spetsifikatsioonidele, millele vastavust deklareeritakse:**

Atsauces uz attiecīgajiem saskaņotajiem standartiem vai atsauces uz citām tehniskajām specifikācijām, saistībā ar kurām ir deklarēta atbilstība:

Nuorodos į atitinkamus taikomus derinamuosius standartus arba nuorodos į kitas technines specifikacijas, kurių atžvilgiu deklaruojama atitiktis:

Odniesienia do użytych stosownych norm zharmonizowanych lub do innych specyfikacji technicznych, w związku z którymi stwierdza się zgodność:

EN 55014-1; EN 55014-2; EN 61000-3-2; EN 61000-3-3; **EN 62841-1; EN 62841-3-9**

7. **Tehnilise dokumentatsiooni koostamiseks volitatud isik • Persona, kura pilnvarota sastādīt tehnisko lietu Techninę bylą parengti įgaliotas asmuo • Osoba upoważniona do sporządzenia dokumentacji technicznej**

Nimi • Vārds / nosaukums • Pavadinimas • Nazwa: Robert Redfern

Adress • Adrese • Adresas • Adres: Nap Brands Ltd. Napier House, Unit 7, Corunna Court, Warwick, UK CV34 5HQ

Alla kirjutatud (kelle poolt ja nimel) • Parakstīts šādas personas vārdā • Už ką ir kieno vardu pasirašoma

Volitatud esindaja • Pilnvarotais pārstāvis • Įgaliotas atstovas • Podpisano za i w imieniu



Robert Redfern, Technical Manager

23/05/2019

Manufacturer • Valmistaja • Tillverkare • Producent • Tootja • Ražotājs • Gamintojas
Kesko Corporation Building and technical trade, Työpajankatu 12,
FI- 00580 Helsinki © Kesko 2019. Made in China.

Importer w Polsce; Onninen sp. z o.o., Ul. Emaliowa 28, 02-295 Warszawa
www.onninen.pl Onninen sp. z o.o. jest częścią Grupy Kesko Oyj

