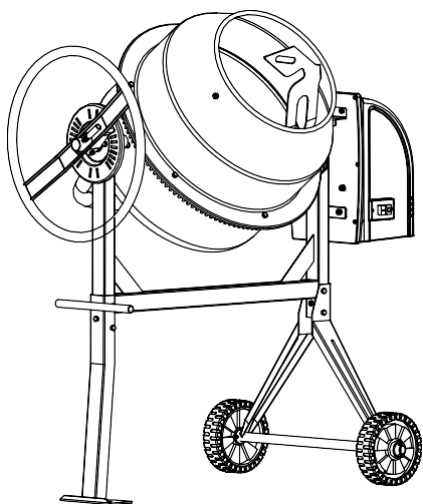


# FXA



## Concrete mixer FXA HCM450 502039977

Instruction manual

Käyttöohje

Bruksanvisning

Bruksanvisning

Kasutusjuhend

Instrukcija

Instaliavimo instrukcijos

Instrukcija obsługi

GB 1-12

FI 13-24

SE 25-36

NO 37-48

EE 49-60

LV 61-72

LT 73-84

PL 85-96

**UNDERSTAND YOUR MIXER**

Read and understand the owner's manual and labels affixed to the mixer. Learn its application and limitations as well as the specific potential hazards peculiar to it.

Become familiar with the controls before operating this mixer.

**STAY ALERT**

Do not operate the mixer while under the influence of drugs, alcohol, or any medication that could affect your ability to use it properly.

Do not use this mixer when you are tired or distracted from the job at hand. Watch what you are doing at all times. Use common sense.

**AVOID DANGEROUS CONDITIONS**

Make sure there is adequate surrounding workspace.

Keep your work area clean and well lighted. Cluttered areas invite injuries. Keep area around the mixer clear of obstructions, grease, oil, trash and other debris which could cause persons fall onto moving parts.

Only use or operate the mixer on solid, flat, level ground that is capable to support the weight of the mixer and its load to prevent the mixer from tipping over.

Do not attempt to move the mixer when it is loaded and/or in operation.

This mixer is intended for the production of concrete, mortar and plaster. It is not suitable for the mixing of flammable or explosive substances. Do not use it in areas where fumes from paint, solvents or flammable liquids pose a potential hazard.

**INSPECT YOUR MIXER**

Check your mixer before turning it on. Keep guards in place and in working order. Do not plug mixer with motor cover off. Check all bolts, nuts, and screws for tightness before each use, especially those securing guards and drive mechanisms. Vibration during mixing may cause these to loosen.

Form a habit of checking to see that all the adjusting tools, shovels, hand trowels and other tools/equipments are removed from mixer area before turning it on.

Replace damaged, missing or failed parts before using it.

Warning labels carry important information. Replace any missing or damaged warning labels.



**DRESS PROPERLY**

Do not wear loose clothing, gloves, neckties or jewelry (rings, wrist watches). They can be caught in moving parts. Protective electrically non-conductive gloves and non-skid footwear are recommended when working. Wear protective hair covering to contain long hair, preventing it from getting caught in machinery. Wear a face or dust mask if the operation is dusty. Always wear safety goggles and/or face shields. Everyday eyeglasses have only impact resistant lenses. They are not safety glasses.

**DO NOT ABUSE CORD**

Never carry mixer by cord or yank it to disconnect it from socket.

Keep cord from heat, oil and sharp edges.

**EXTENSION CORDS**

Extension cords must be no longer than 50 meters in length. The wire section must be 1.5mm<sup>2</sup> on 230V to allow sufficient current flow to the motor. Improper use of extension cords may cause inefficient operation of the mixer which can result in overheating and motor damage.

Only extension cords to H07RN-F specification intended for outdoor purpose may be used. Avoid use of free and inadequately insulated connections. Connections must be made with protected material suitable for outdoor use. Make sure that any extension cord connections are dry and safe. Ensure that the extension cord is carefully laid out avoiding liquids, sharp edges and places where vehicles might run over it. Avoid allowing the extension cord to be trapped underneath the mixer. Unroll it fully or it will overheat and could catch fire.

**AVOID ELECTRICAL SHOCK**

Check that the electric circuit is adequately protected and that it corresponds with the power, voltage and frequency of the motor.

Do not plug or unplug the motor while standing in or around damp or wet ground. Do not use the mixer in wet or damp areas or expose it to rain.

Prevent body contact with grounded surfaces: pipes, radiators, ranges, and refrigerator enclosures.

Make sure your fingers do not touch the plug's metal prongs when plugging or unplugging the mixer.

**KEEP VISITORS AND CHILDREN AWAY**

Keep unauthorized persons away from the mixer.

Do not allow children to handle or climb on or in the mixer.



## SAFETY WARNINGS & INSTRUCTIONS

SYMBOL AFFIXED TO THE MACHINE

### DO NOT OVERREACH

Keep proper footing and balance at all times when loading or unloading the mixer.

Never stand on mixer. Serious injury could occur if the mixer is tipped or if the moving parts are unintentionally contacted.

Do not store anything above or near the mixer where anyone might stand on the mixer to reach them.

**AVOID INJURY FROM UNEXPECTED ACCIDENT** Keep hands out of the way of all moving parts. Do not place any part of your body or any tool, like shovel in the drum during operation. When operating, do not pass hands through the clearance between frame and support arm or the one between the drum and support arm.

### DO NOT FORCE TOOL

It will do a better and safer job at its design rate. Always work within the rated capacity.

Do not start the motor if the drum is fully loaded. Do not turn mixer off while full of concrete.

Do not use the mixer for a purpose for which it was not intended.

The mixer is not to be towed by any vehicle.

### NEVER LEAVE MIXER RUNNING UNATTENDED

Do not leave mixer until it has come to a complete stop.

### DISCONNECT POWER

Never open the motor cover before unplugging the mixer. Disconnect from power supply when not in use, before moving, making adjustments, changing parts, cleaning, or working on the mixer. Consult technical manual before servicing.

### MAINTAIN YOUR MIXER WITH CARE

Clean the mixer immediately after use. Keep the mixer clean for best and safest performance.

When maintaining this mixer, only the manufacturer's original replacement parts may be used.

### PROTECT THE ENVIRONMENT


Take left over materials to an authorized collection point or follow the stipulations in the country where the mixer is used. Do not discharge into drains, soil or water.

### STORE IDLE EQUIPMENT

When not in use, the mixer should be stored in a dry location to inhibit rust. Keep the mixer away from children and others not qualified to use it.



This mixer is double insulated to Class II protection and IP44D rated. The insulation will only remain effective if the original insulating parts are used for repairs and the spaces between the original insulation are maintained.

Double insulation  eliminates the need for the three-wire grounded power cord and grounded power supply system. Double insulated tools can use either a two or three wire extension cord.



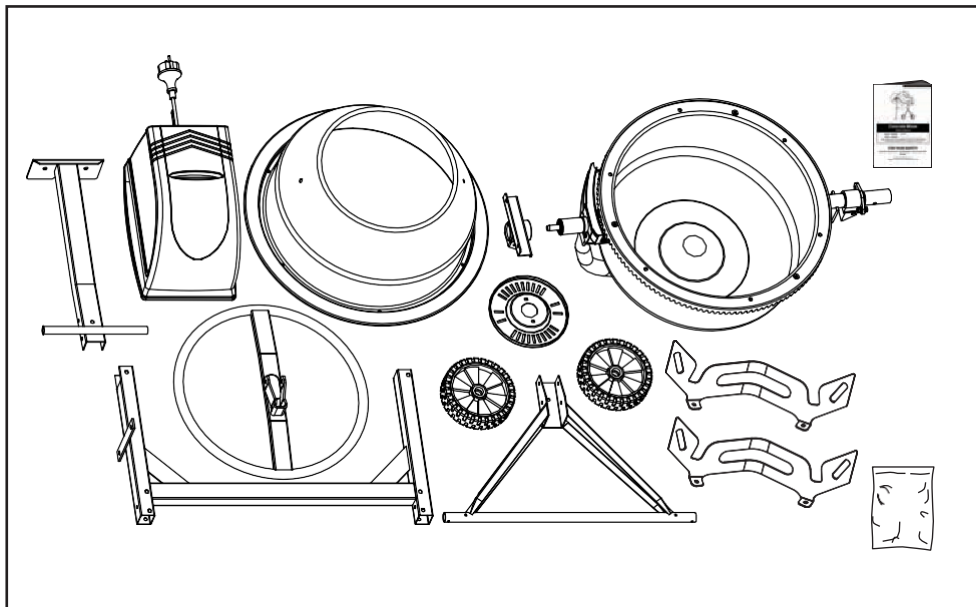
Do not connect either core to the earth pin.

The use of an Residual Current Device (“RCD”), (earth leakage trip), on 230V electrics is recommended. If using an extension cable, plug it directly into the RCD.

When operating in Switzerland, plug the mixer only in sockets protected by fault current breaker.

<b>Model Number</b>	<b>HCM450</b>	
<b>Motor</b>	550W S6 30%	
<b>Drum Capacity</b>	125 Liters	
<b>Drum Mouth</b>	380 mm	
<b>Drum Speed</b>	26.6 / min	
<b>Overall Sizes</b>	<b>L</b>	1200 mm
	<b>W</b>	710 mm
	<b>H</b>	1400 mm
<b>Weight</b>	51 kg	

## CONTENTS OF THE SHIPPING CONTAINER



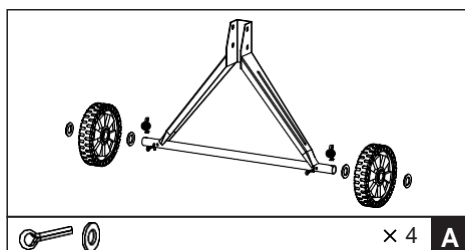
## ASSEMBLY INSTRUCTIONS



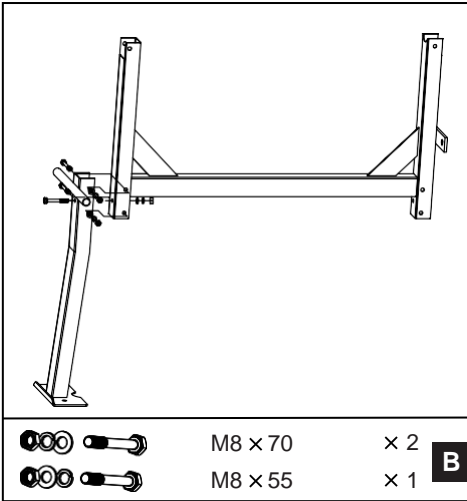
Two people assist in assembly recommended.

		× 4	<b>A</b>
	M8 × 70	× 2	<b>B</b>
	M8 × 55	× 1	<b>B</b>
	M8 × 70	× 2	<b>C</b>
	M8 × 55	× 1	<b>C</b>
	M8 × 65	× 2	<b>D</b>
	Ø42	× 1	<b>D</b>
	M8 × 16	× 2	<b>E</b>
	M8 × 16	× 6	<b>F</b>
	M8 × 16	× 2	<b>F</b>
	M8 × 25	× 2	<b>G</b>
	M10 × 60	× 1	<b>H</b>
	M8	× 4	<b>I</b>

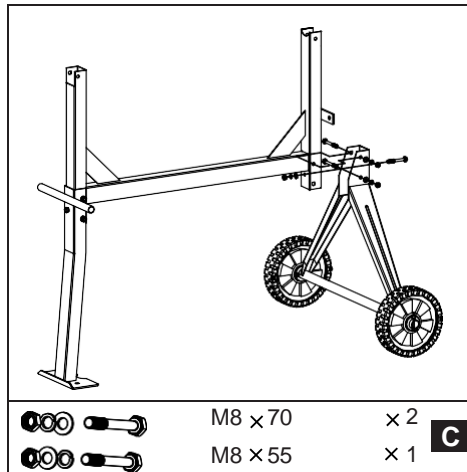
### THE STAND



1. With a split pin inserted into the inner holes in each stub axle, place a flat washer, then a wheel followed by another flat washer. Insert another split pin into the axle holes outside each flat washer. Bend each side of the pins outward so they do not fall out.

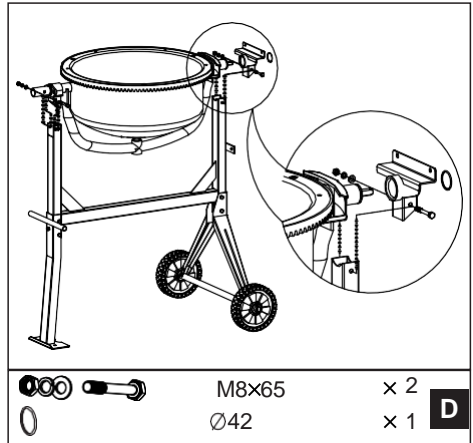


2. With the frame lying on its side, attach the support leg as shown. Insert two M8X70 hex bolts through the holes from one side, then flat washers, lock washers and nuts from the other side. Also screw a M8X55 hex bolt with lock and flat washers to the nut on the frame. Tighten down.



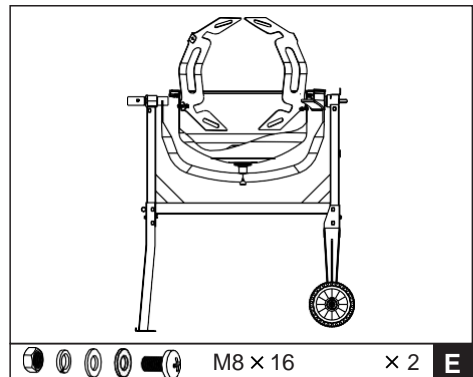
3. Turn the frame over and attach the axle bracket with wheels in the same manner.
4. Make sure all bolts and nuts are tightened.

## THE BOTTOM DRUM



1. Slide the bearing block on the shaft. Hold it in place with Ø42 spiral ring.
2. Carefully, and with two people, set the bottom drum with support arm onto the side supports of the stand as shown, so that the bearing blocks slot into the channels provided by the side supports. The larger diameter shaft should be at the leg end of the stand.
3. At each side, line up the holes in the side support with those in the bearing block and insert a M8X65 hex bolt from one side, then a flat washer, lock washer and nut from the other side. Tighten with a wrench.

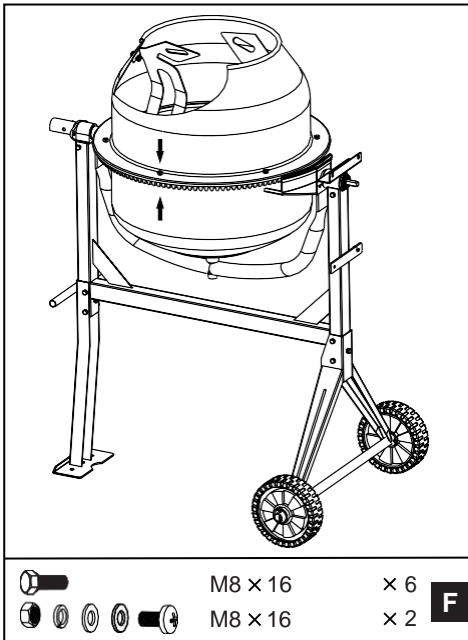
## THE MIXING BLADES



Mount the mixing blades inside the bottom drum loosely as shown - Two holes are provided at the base of the drum into which a M8X16 bolt may be inserted from the outside. A leather washer, flat washer, lock washer and a nut should be threaded on loosely on the inside. The leather washer should be placed under the blade down against the drum.

**NOTE:** Two arrows are labeled on upper drum and bottom drum to make their position relation. If you have any difficulty in correctly positioning the mixing blades, it is helpful if you temporarily mount the upper drum on the top of the bottom drum, rotating it so that the two arrows line up.

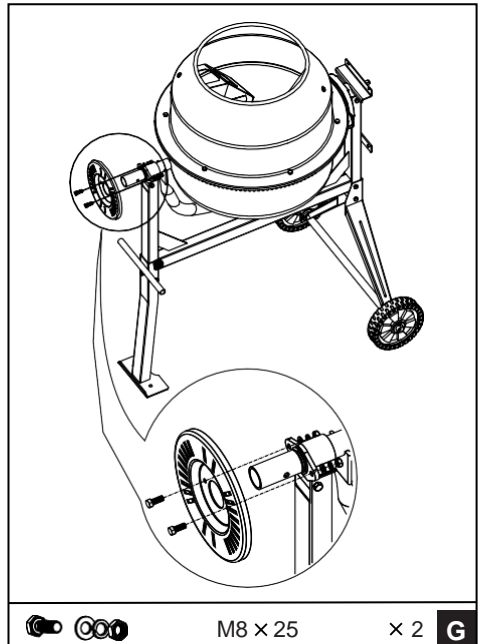
## THE UPPER DRUM



1. Position the upper drum on bottom drum over the rim, making sure the mounting holes align in both as well as the labeled arrows.

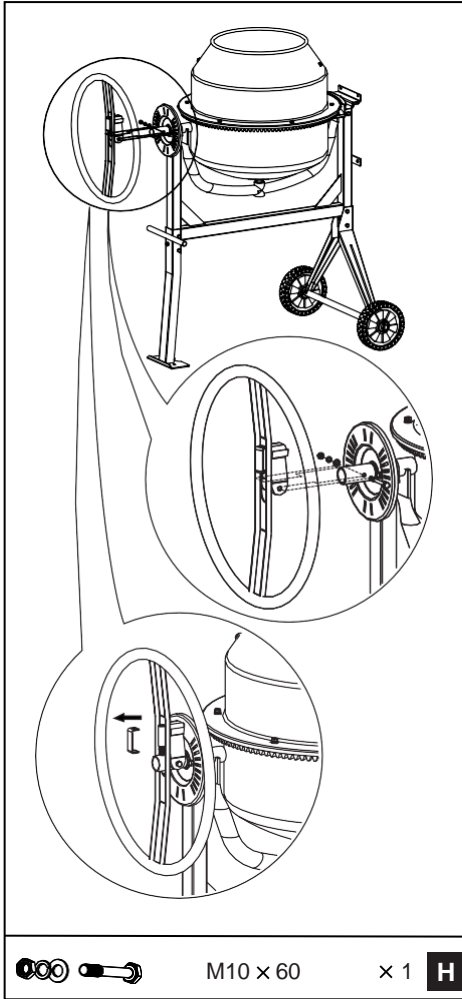
2. Screw a M8X16 hex bolt with lock and flat washers into each threaded hole in the rim/ring gear. Make sure the tightening process is carried out progressively.
3. Secure the mixing blades to the upper drum by inserting two M8X16 cross headed screws, from the outside through the holes in the drum.
4. A leather washer should be positioned inside between the drum and blade. Secure the mixing blade on the inside using a flat washer, spring washer and nut.
5. Finally, ensure top and bottom mixing blade mountings are tight.

## THE TIPPING WHEEL



1. Slide the locking plate over the large diameter shaft at the leg end of the frame with the rim facing inwards as shown. Secure with two M8X25 bolts, each with a nut, lock and flat washers.

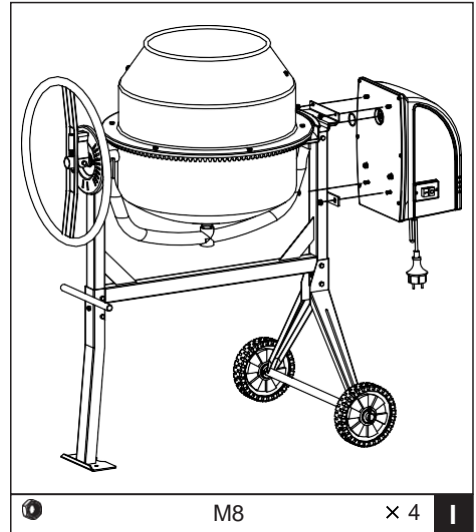




2. The spring is clamped in its holder by a U shaped plate for easier assembly. Slide the wheel over the larger diameter shaft until the holes in the bracket line up with the hole drilled. Insert a M10X60 hex bolt and screw on a nut with flat and lock washers from the other side. Screw the nut up against the bracket firmly, but not so tightly so as to prevent the wheel from pivoting about the bolt. Free the spring by removing the U shaped plate.

**NOTE:** The wheel must be allowed to pivot about the bolt so that the lugs on the bracket can be engaged or disengaged from the slots in the locking plate.

## THE TRANSMISSION CASE



Lining up the keyways, slide the transmission case over the pinion shaft. Secure the case to the frame with four M8 nuts.

## OPERATION INSTRUCTIONS

### DRUM TILTING

The spring-loaded tipping wheel with locking lugs provides an easy positive control of the drum which can be locked in the mix, discharge and stored position.

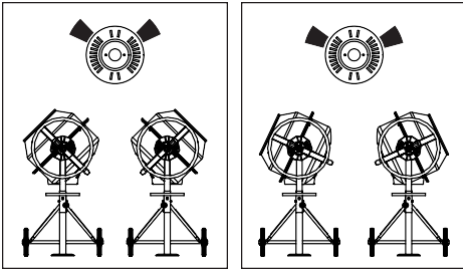
The drum is locked in position by lugs on the self-locating tipping wheel which engage into the locking plate on the mixer frame. To tilt the drum, withdrawn the tipping wheel to dis-engage the locking lugs. This then allows the tipping wheel and drum to be turned in the same direction.

To retain the drum in position, aligning the lugs with the slots, release the tipping wheel a little while retaining the drum. Rotate the tipping wheel until the locking lugs engage into the locking plate on the mixer frame.

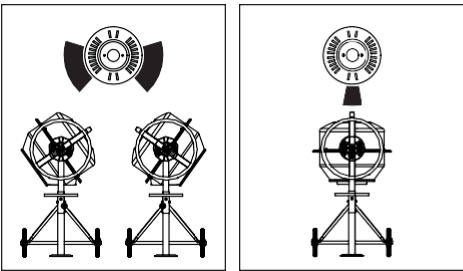
### Loading/Mixing Position

For Mortar

For Concrete



### Emptying Position Storage Position



### LOADING



Completely unwind the extension cord. Connect it to the concrete mixer first before plugging in power supply.



Always start the mixer before loading the drum. Loading the drum with drum rotating.



Do not throw material into the mixer to avoid sticking firmly to the back of the drum. Trickle it steadily over the ram.

**NOTE:** A built-in thermal protector is arranged in the motor to prevent it from overheating. The thermal protector restores automatically when the motor cools down.

For best results, proceed as follows:

1. Add the required amount of gravel into the drum.
2. Add the required amount of cement into the drum.
3. Add the required amount of sand into the drum.
4. Pour the required amount of water into the drum.

### EMPTYING



Do not turn mixer off while full of load. Emptying the drum with drum rotating.

### CLEANING



Never put hands inside the drum with drum rotating.

Thoroughly clean the mixer at the end of each day's operation. Keep your mixer clean. The slightest trace of material left in the drum will harden and attract more each time you use it until the machine is useless. Dried cement should be scraped out of the drum. Do not throw bricks into mixer drum to clean it out. Do not beat on the drum with a shovel, a hammer or other tools to break up accumulations of dried cement mix, as damage to the mixer may result. The drum may be scoured for approximate 2 minutes, using 1" gravel and water mixture. Then discharge the gravel/water mixture and hose down the drum assembly inside and out. The IP44D protection class construction of the concrete mixer enables you to hose down the drum assembly safely.



Do not pour or spray water directly over the motor cover, especially the openings in it.



Wipe off any external material on the motor cover. Do not use petrol, turpentine, lacquer or paint thinner, dry cleaning fluids or similar products. The use of chemical products or solvents may affect the properties of the cover which was made of high density polyethylene PET.

## MAINTENANCE INSTRUCTIONS



Ensure the extension cord is always unplugged before the motor cover is removed.

The drive belt is under constant even tension by a spring loaded jockey. No adjustment apart from a touch of grease on the spindle.

The bearings are sealed for life.

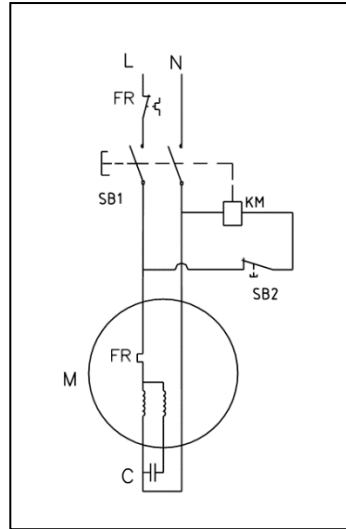


The wiring diagram and parts schematic in this manual are as reference tools only. Neither the manufacturer nor distributor makes any representation or warranty of any kind to the buyer that he or she is qualified to make any repairs to the product or that he or she is qualified to replace any parts of the product. Only qualified technicians should repair the mixer. Any maintenance and repairs carried out, to any of the electric components must be undertaken by a qualified electrician.

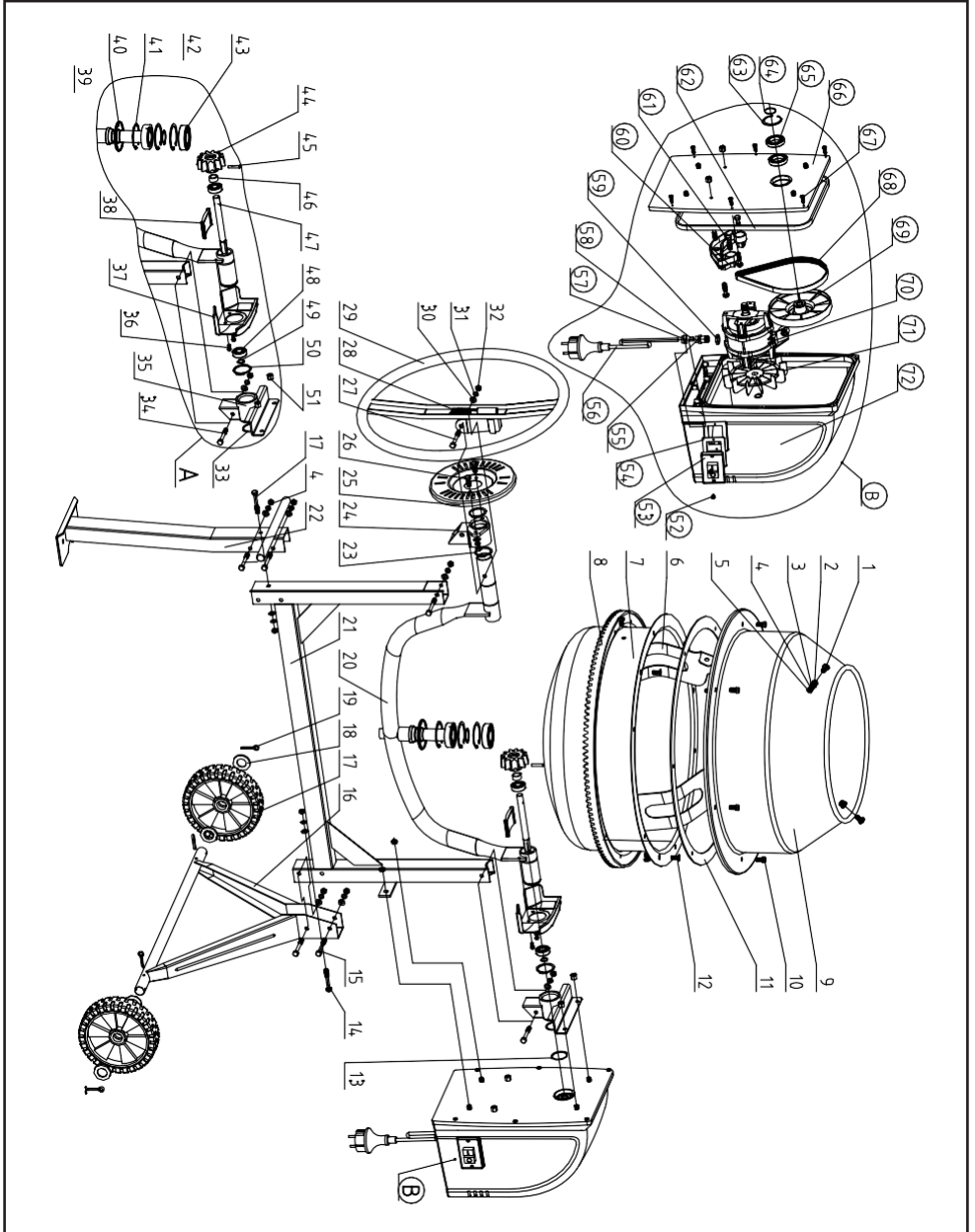


Parts in a circle should only be fitted by a qualified electrician.

## WIRING DIAGRAM



# PARTS SCHEMATIC



# EU Declaration of Conformity

We

**Kesko Corporation Group Companies,**

**Address: Satamakatu 3, FI-00160, Helsinki, Finland**

**Telefon: +358-10 53032 Fax: +358-9 857 4783**

**Declare under our sole responsibility that the following product**

Equipment: Concrete mixer

Brand name: FXA

Model/type: 502039977/HCM450

**is in conformity with the**

Machine Directive (MD) 2006/42/ EC

Electromagnetic Compatibility Directive (EMC) 2014/30/ EU,

**and the following harmonised standards and technical specifications have been applied:**

EN 12151:2007

EN 60204-1: 2006+A1:2009

EN 55014-1: 2006/A1:2009/+A2:2011

EN 55014-2: 2015

EN 61000-3-2:2014

EN 61000-3-3:2013

Helsinki, Finland, 11, 2018

**Kesko Corporation Group Companies,**

**TUTUSTU SEKOITTIMEEN**

Lue ja omaksu käyttäjän opas ja sekoittimeen kiinnitetty tarrat. Opettele sekoittimen käyttö ja rajoitukset sekä sille ominaiset mahdolliset vaarat.

Tutustu sen hallintalaitteisiin ennen käyttöä.

**PYSYTTÄLE VALPPAANA.**

Älä käytä sekoitinta, jos olet huumeiden, alkoholin tai sellaisten lääkkeiden vaikutuksen alaisena, jotka voisivat vaikuttaa kykyysi käyttää sitä asianmukaisesti.

Älä käytä sekoitinta, jos olet väsynyt tai huomiosi kääntynyt pois työstä. Katso aina, mitä olet tekemässä. Käytä tervettä maalaisjärkeä.

**VÄLTÄ VAARATILANTEET**

Varmista, että ympärillä on riittävästi työskentelytilaa.

Pidä työskentelyalue puhtaana ja hyvin valaistuna. Epäsiistit työskentelyalueet ovat otollisia tapaturmille. Pidä sekoittimen ympäristö puhtaana esteistä, öljystä, rasvasta ja muusta roskasta, joka voisi saada henkilön kaatumaan päin liikkuvia osia.

Käytä sekoitinta ainoastaan kiinteällä, tasaisella alustalla, joka kannattaa sekoittimen ja sen kuorman painon, ettei sekoitin kaatuisi.

Älä yritä siirtää sekoitinta, kun se on täytetty ja/tai käynnissä.

Sekoitin on tarkoitettu betonin, muuraus- ja rappauslaastin valmistamiseen. Se ei sovellu herkästi syttyvien tai räjähdysvaarallisten aineiden sekoittamiseen. Älä käytä sitä paikoissa, joissa maalien, liuottimien tai herkästi syttyvien nesteiden höyryt aiheuttavat mahdollisen vaaran.

**TARKASTA SEKOITTIMESI**

Tarkista sekoittimesi ennen kuin käynnistät sen. Pidä turvalaitteet paikoillaan ja kunnossa. Älä kytke sekoitinta virtalähteeseen, jos moottorin kansi on irrotettu. Tarkista aina ennen käyttöä kaikkien pulttien, mutterien ja ruuvien kireys, erityisesti niiden, jotka kiinnittävät turva- ja käyttölaitteet. Sekoituksen aikainen värinä voi löystyttää niitä.

Ota tavaksesi tarkistaa, että kaikki säätötyökalut, lapiot, kauhat ja muut työkalut/laitteet on poistettu sekoittimen alueelta ennen sekoittimen käynnistämistä.

Vaihda vahingoittuneet, puuttuvat tai epäkuntoon menneet osat ennen sekoittimen käyttöä. Varoitustarroissa on tärkeitä tietoja. Korvaa puuttuvat tai vahingoittuneet varoitustarrat.



**PUKEUDU ASIANMUKAISESTI**

Älä käytä väljiä vaatteita, käsineitä, solmioita tai koruja (sormuksia, rannekelloja). Ne voivat takertua työkalun liikkuviin osiin. Työskentelyn aikana suositellaan käytettävän sähköä johtamattomia käsineitä ja liukumattomia jalkineita. Käytä pitkät hiukset peittävää hiussuojaa, joka estää hiuksia tarttumasta koneistoon. Käytä kasvo- tai hengityssuojainta, jos käyttö on pölyistä. Käytä aina suojalaseja ja/tai kasvosuojusta. Tavallisissa silmälaseissa on ainoastaan iskunkestävät linssit. Ne eivät ole suojalaseja.

**ÄLÄ KÄYTÄ JOHTOA VÄÄRIN**

Älä kanna sekoitinta johdosta tai irrota johtoa pistorasiasta kiskaisemalla johdosta.

Pidä johto pois kuumasta, öljystä ja terävistä reunoista.

**JATKOJOHDOT**

Jatkojohdot saavat olla korkeintaan 50 m pitkiä. Johdon poikkipinta-alan on oltava vähintään 1,5 mm<sup>2</sup> jännitteen ollessa 230 V niin, että moottoriin tulee riittävästi virtaa. Jatkojohtojen epäasianmukainen käyttö voi johtaa sekoittimen tehottomaan toimintaan, minkä seurauksina voivat olla ylikuumeneminen ja moottorivaurio.

Ainoastaan ulkokäyttöön tarkoitettuja H07RN-F-standardin mukaisia jatkojohtoja saa käyttää. Vältä avoimia ja riittämättömästi eristettyjä liitoksia. Liitokset on tehtävä ulkokäyttöön soveltuvaa suojamateriaalia käyttäen. Varmista, että jatkojohtoliitokset ovat kuivia ja turvallisia. Varmista, että jatkojohto on vedetty huolellisesti nesteitä ja teräviä reunoja välttäänsä samoin kuin paikkoja, joissa ajoneuvot voivat ajaa sen yli. Varo, ettei jatkojohto jää jumiin sekoittimen alle. Kelaa se kokonaan auki tai se voi ylikuumeta ja syttyä palamaan.

**VARO SÄHKÖISKUA**

Tarkista, että virtapiiri on riittävästi suojattu ja että se vastaa moottorin tehoa, jännitettä ja taajuutta.

Älä liitä moottoria virtalähteeseen tai irrota siitä, jos seisot märällä tai kostealla maaperällä. Älä käytä sekoitinta kosteissa tai märissä paikoissa tai altista sitä sateelle.

Varo koskemasta vartalollasi maadoitettuihin pintoihin, kuten putkiin, lämpöpattereihin tai jääkaappeihin.

Varmista, etteivät sormesi osu pistokkeen metallisiin piikkeihin, kun liität sekoittimen virtalähteeseen tai irrotat sen.

**PIDÄ VIERAILIJAT JA LAPSET LOITOLLA**

Pidä asiattomat henkilöt pois sekoittimen luota.

Älä anna lasten käsitellä sekoitinta tai kiivetä sen päälle.



**ÄLÄ KURKOTA**

Seiso tukevasti ja säilytä tasapaino vakaana täyttyessäsi tai tyhjentäessäsi sekoitinta.

Älä milloinkaan seiso sekoittimen päällä. Voit loukkaantua vakavasti, jos sekoitin kaatuu tai vahingossa kosketat liikkuvia osia. Älä säilytä mitään sekoittimen yläpuolella tai lähellä niin, että kukaan nousisi sekoittimen päälle ylettyäkseen siihen.

**VÄLTÄ YLLÄTÄVÄN ONNETTOMUUDEN AIHEUTTAMA LOUKKAANTUMINEN**

Pidä kätesi pois kaikista liikkuvista osista. Älä laita mitään kehonosaa tai työkalua kuten lapiota rumpuun sekoittimen käydessä. Sekoittimen käydessä älä työnnä käsiäsi rungon ja tukivarren väliin tai rummun ja tukivarren väliin.

**ÄLÄ KÄYTÄ TYÖKALUA VÄKISIN**

Se toimii paremmin ja turvallisemmin suunnittelunopeudellaan. Käytä sitä aina nimelliskapasiteetillaan.

Älä käynnistä moottoria, jos rumpu on täyteen kuormattu. Älä sammuta sekoitinta, kun se on täynnä betonia.

Älä käytä sekoitinta muussa kuin sen käyttötarkoituksessa.

Sekoitinta ei saa hinata millään ajoneuvolla.

**ÄLÄ MILLOINKAAN JÄTÄ KÄYNNISSÄ OLEVAA SEKOITINTA ILMAN VALVONTAA**

Älä poistu sekoittimen luota ennen kuin se on täysin pysähtynyt.

**IRROTA VIRTALÄHTEESTÄ**

Älä milloinkaan avaa moottoria irrottamatta sekoitinta virtalähteestä. Irrota sekoitin virtalähteestä silloin kun se ei ole käytössä, kun siirrät sitä, teet säätöjä, vaihdat osia, puhdistat tai teet sen parissa mitään töitä. Tutustu tekniseen käsikirjaan ennen huoltamista.

**PIDÄ SEKOITIN HUOLELLISESTI KUNNOSSA**

Puhdista sekoitin heti käytön jälkeen. Pidä sekoitin puhtaana, niin se toimii parhaiten ja turvallisimmin.

Tämän sekoittimen kunnossapidossa saa käyttää ainoastaan valmistajan alkuperäisiä vaihto-osia.

**SUOJELE YMPÄRISTÖÄ**

Vie ylijäämämaterialit luvalliseen keräyspisteeseen tai noudata sen maan määräyksiä, jossa sekoitinta käytetään. Älä tyhjennä sitä viemäriin, maahan tai veteen.

**VARASTOI LAITE, KUN SITÄ EI KÄYTETÄ**

Kun sekoitinta ei käytetä, sitä on säilytettävä kuivassa paikassa ruostumisen estämiseksi. Pidä sekoitin pois lasten ulottuvilta sekä muiden henkilöiden, joilla ei ole osaamista sen käyttöön.





Sekoitin on kaksoeristetty suojausluokkaan II ja IP44D-luokiteltu. Eristys pysyy tehokkaana ainoastaan, jos korjauksiin käytetään alkuperäisiä eristysosia ja välit alkuperäisen eristyksen välillä säilytetään.

Kaksoeristys  poistaa kolmijohtimisen maadoitetun virtajohdon ja maadoitetun virransyöttöjärjestelmän tarpeen. Kaksoeristettyjä työkaluja voidaan käyttää joko kaksi- tai kolmijohtimisen jatkojohdon kanssa.



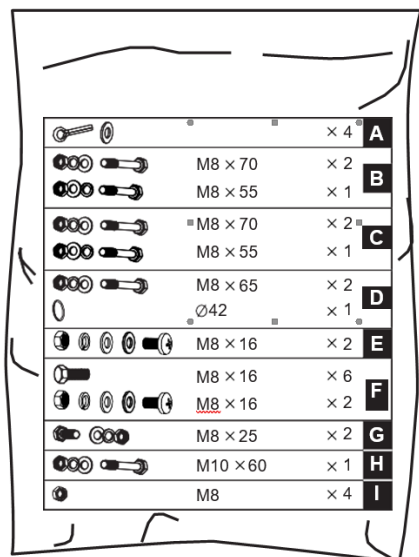
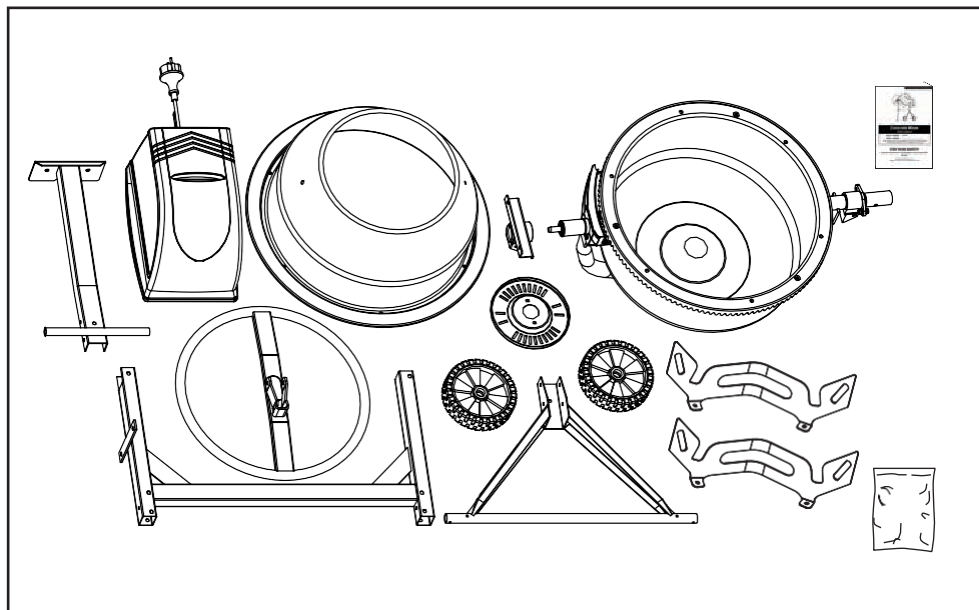
Älä liitä kumpaakaan sydäntä maadoitusnastaan.

Jäännösvirtalaitteen (RCD) (maavuotolaukaisu) käyttöä suositellaan 230 V sähkölaitteiden kanssa. Jos käytät jatkokaapelia, liitä se suoraan jäännösvirtalaitteeseen.

Kun käytät sekoitinta Sveitsissä, liitä se ainoastaan vikavirtakatkaisijalla suojattuun pistorasiaan.

<b>Mallinumero</b>	<b>HCM450</b>	
<b>Moottori</b>	550 W S6 30 %	
<b>Rummun tilavuus</b>	125 litraa	
<b>Rummun suuaukko</b>	380 mm	
<b>Rummun nopeus</b>	26,6 / min	
<b>Kokonaismitat</b>	<b>P</b>	1200 mm
	<b>L</b>	710 mm
	<b>K</b>	1400 mm
<b>Paino</b>	51 kg	

## PAKKAUKSEN SISÄLTÖ

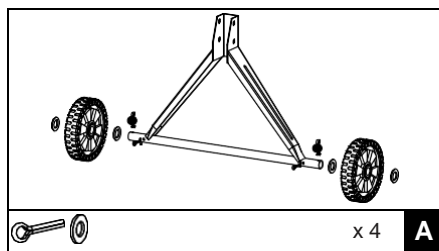


## KOKOONPANO-OHJEET

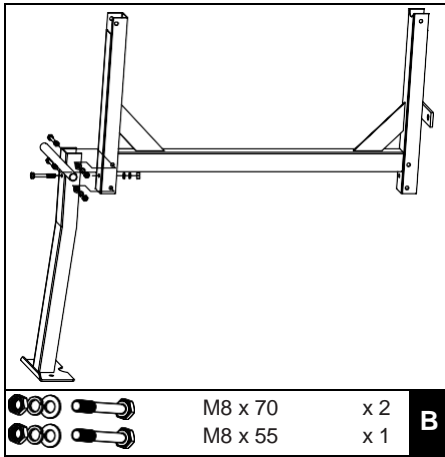


Kokoonpanto suositellaan tehtävän kahden henkilön voimin.

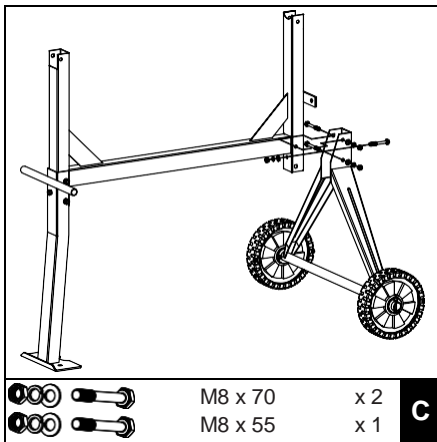
### JALUSTA



1. Kun saksisokka on asetettu kummankin akselinpään sisempään reikään, aseta litteä aluslevy, sen jälkeen pyörä, jonka jälkeen toinen litteä aluslevy. Työnnä toinen saksisokka kummankin aluslevyn ulkopuolella olevaan akselin reikään. Väännä saksisokan kärjet ulospäin niin, ettei sokka putoa pois.

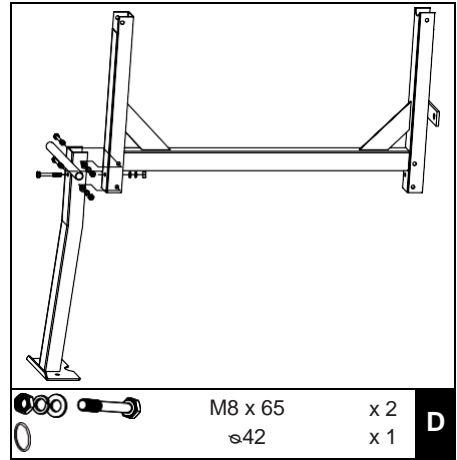


2. Rungon maataessa kyljellään kiinnitä tukijalka kuvan mukaisesti. Aseta kaksi M8X70-kuusiopulttia reikiin yhdeltä puolelta, sitten litteät aluslevyt, jousialuslevyt ja mutterit toiselta puolelta. Ruuvaa myös M8X55-kuusiopultti jousi- ja litteiden aluslevyjen kanssa rungossa olevaan mutteriin. Kiristä.



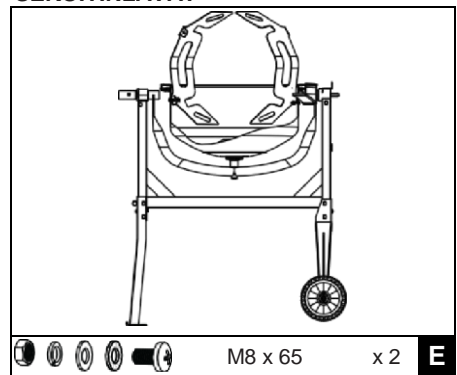
3. Käännä runko ympäri ja kiinnitä akseliripustin pyörineen samalla tavalla.
4. Varmista, että kiristät kaikki pultit ja mutterit.

## RUMMUN POHJAOSA



1. Aseta laakeripukki akselille. Pidä se paikallaan ∅42 spiraalirenkaalla.
2. Aseta varoen ja kahden hengen voimin rummun pohjaosa kannatusvarsineen jalustan sivutukien varaan kuvan mukaisesti niin, että laakeripukit menevät sivutuissa oleviin kanaviin. Halkaisijaltaan suuremman akselin tulee olla jalustan jalan puoleisessa päässä.
3. Kohdista kummaltakin sivulta keskenään sivutuissa olevat reiät laakeripukissa olevien reikien kanssa ja laita toiselta puolelta M8X65-kuusiopultti, sitten litteä aluslevy, jousialuslevy ja mutteri toiselta puolelta. Kiristä avaimella.

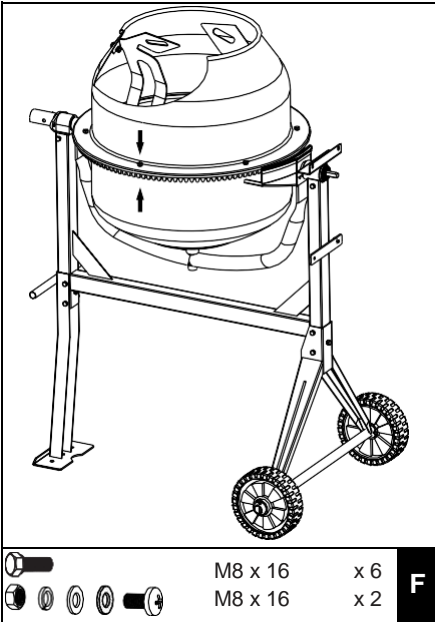
## SEKOITINLAVAT



Asenna sekoitinlavat rummun pohjaosan sisäpuolelle löysästi kuvan mukaisesti. Rummun pohjassa on kaksi reikää, joihin voidaan asettaa M8X16-pultti ulkopuolelta. Nahka-aluslevy, litteä aluslevy, jousialuslevy ja mutteri kierretään paikalleen sisäpuolelta löysästi. Nahka-aluslevy asetetaan lavan alle rumpua vasten.

**HUOM:** Rummun ylä- ja pohjaosassa on nuolitarrat, jotka osoittavat osien paikan toistensa suhteen. Jos sinulla on vaikeuksia sijoitella sekoitinlavat oikein, auttaa, kun laitat väliaikaisesti rummun yläosan pohjaosan päälle kääntäen sitä kunnes nuolet ovat kohdakkain.

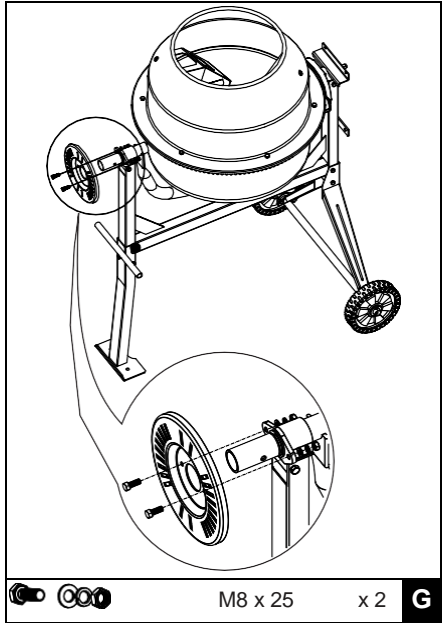
### RUMMUN YLÄOSA



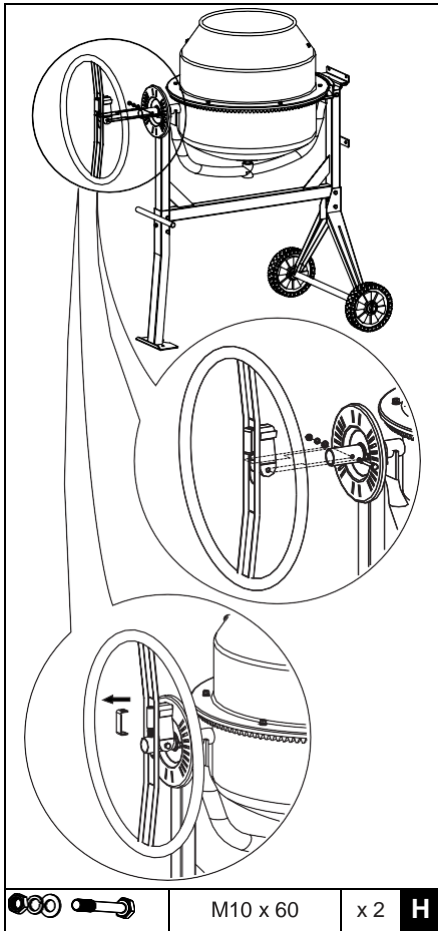
1. Aseta rummun yläosa pohjaosan päälle reunan yli varmistaen, että kummankin kiinnitysreiät kohdistuvat samoin kuin nuolitarrat.

- Ruuvaa M8X16-kuusiopultti jousialuslevyn ja litteän aluslevyn kanssa kierteellisiin reikiin reunassa/hammaskehässä. Varmista, että kiristys tapahtuu asteittain.
- Kiinnitä sekoitinlavat yläosaan kahdella M8X16-ristipääruuvilla, jotka asetetaan paikoilleen ulkopuolelta rummun reikien läpi.
- Nahka-aluslevy tulee asettaa sisäpuolelle rummun ja lavan väliin. Kiinnitä sekoitinlapa sisäpuolelta litteällä aluslevyllä, jousilevyllä ja mutterilla.
- Varmista lopuksi, että asennus pohjaosasta ja yläosasta on kireä.

### KAATOPYÖRÄ



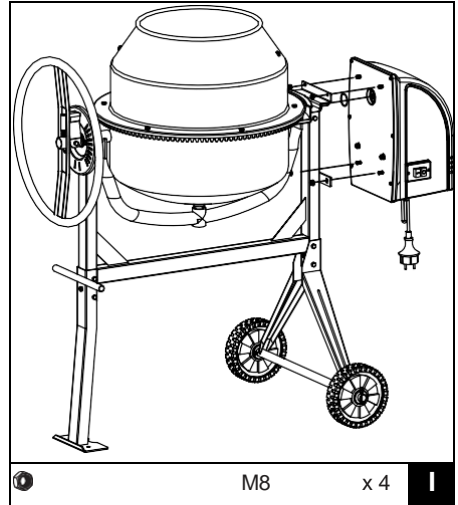
1. Työnnä lukituslevy läpimitaltaan isomman akselin päälle rungon jalanpuoleisesta päästä särmän osoittaessa sisäänpäin kuvan mukaisesti. Kiinnitä kahdella M8X25-pultilla, kumpikin mutterilla, jousialuslevyllä ja litteillä aluslevyillä



2. Jousi on lukittu pidikkeeseensä U:n muotoisella levyllä asennuksen helpottamiseksi. Työnnä pyörä läpimitaltaan isomman akselin päälle kunnes kiinnityskorvakkeen reiät kohdistuvat porattuun reikään. Asenna M10X60-kuusiopultti ja ruuvi mutteriin litteän ja jousialuslevyn kanssa toiselta puolelta. Kiristä mutteri tiukkaan kiinnityskorvakkeeseen, mutta ei niin tiukkaan, että se estäisi pyörää kääntymästä pultin varassa. Vapauta jousi irrottamalla U:n muotoinen levy.

HUOM: Pyörän on päästävä kääntymään pultin varassa niin, että kiinnityskorvakkeen nokat voivat kiinnittyä lukituslevyn uriin ja irrottautua niistä.

## VAIHTEISTO



Työnnä vaihteisto kiilaurat kohdistaan vetoakselin päälle. Kiinnitä vaihteisto runkoon neljällä M8-mutterilla.

## KÄYTTÖOHJEET

### RUMMUN KALLISTUS

Jousikuormitteisen lukitusnokilla varustetun kallistuspyörän avulla on helppo hallita rumpua, jonka voi lukita sekoitus-, tyhjennys- ja säilytysasentoon.

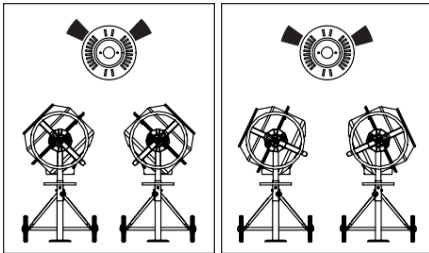
Rummun lukitsevat asentoonsa itseasettuvan kallistuspyörän nokat, jotka kiinnittyvät sekoittimen rungossa olevaan lukituslevyyn. Rumpua kallistaaksesi vedä kallistuspyörää niin, että lukitusnokat irtoavat lukituslevystä. Tämä mahdollistaa kallistuspyörän ja rummun kääntämisen samaan suuntaan.

Pidä rumpu asennossaan kohdistamalla nokat uriin, vapauta kallistuspyörää hieman pidättäen samalla rumpua. Käännä kallistuspyörää kunnes lukitusnokat kiinnittyvät sekoittimen rungossa olevaan lukituslevyyn.

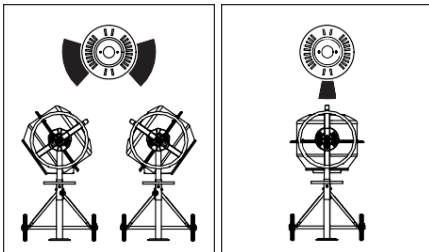
### Täyttö-/sekoitusasento

Laastille

Betonille



### Tyhjennysasento Säilytysasento



### Täyttö



Kelaa jatkojohto kokonaan auki. Liitä se ensin sekoittimeen ennen kuin liität sen virransyöttöön.



Käynnistä aina sekoitin ennen kuin täytät rummun. Rummun täyttö rummun pyöriessä.



Älä heitä materiaalia sekoittimeen, ettei se tarttuisi tiukasti rummun takaosaan. Kaada sitä tasaisesti reunan yli.

**HUOM:** Moottorissa on sisäänrakennettu lämpösuoja estämässä sitä ylikuumentumasta. Lämpösuoja palautuu automaattisesti moottorin jäähtyttyä.

Saat parhaan tuloksen, kun menetleet seuraavasti:

1. Lisää rumpuun tarvittava määrä soraa.
2. Lisää rumpuun tarvittava määrä sementtiä.
3. Lisää rumpuun tarvittava määrä hiekkaa.
4. Lisää rumpuun tarvittava määrä vettä.

### TYHJENNYS



Älä sammuta sekoitinta, kun se on täynnä. Rummun tyhjennys rummun pyöriessä.

### PUHDISTUS



Älä milloinkaan laita käsiäsi rummun sisään sen pyöriessä.

Puhdista sekoitin huolellisesti aina käytön jälkeen. Pidä sekoittimesi puhtaana. Pieninkin määrä rumpuun jäänyttä materiaalia kovettuu ja kerää itseensä lisää materiaalia kunnes sekoitin on käyttökelvoton. Kuivunut sementti on kaavittava pois rummusta. Älä yritä puhdistaa rumpua heittämällä siihen tiiliä. Älä hakkaa rumpua lapiolla, vasaralla tai muilla työkaluilla rikkoaksesi kuivuneen sementtiseoksen kerääntymät, koska seurauksena voi olla sekoittimen vaurioituminen. Rumpu voidaan puhdistaa pyörittämällä tuuman kokoisen soran ja veden seosta noin kahden minuutin ajan. Tyhjennä sen jälkeen sora-vesiseos ja huuhtelee rumpu vesiletkulla sisältä ja ulkoa. Betonisekoittimen IP44D-suojausluokan mukaisen rakenteen ansiosta voit suihkuttaa rumpukokonaisuuden puhtaaksi turvallisesti.



Älä kaada tai suihkuta vettä suoraan moottorin kannelle, etenkin sen aukkoihin.



Pyyhi moottorin kannelta pois kaikki ulkopuolinen aines. Älä käytä bensiiniä, tärpättiä, kiillotusnestettä tai maalinohennetta, kuivapuhdistusnestettä tai vastaavia tuotteita. Kemikaalituotteiden tai liuottimien käyttö voi vaikuttaa PET-polyeteenistä valmistetun kannen ominaisuuksiin.

## HUOLTO-OHJEET



Varmista aina, että jatkojohto on irrotettu virtalähteestä ennen moottorin kannen avaamista.

Jousikuormitteinen kiristyspyörä pitää käyttöhihnan jatkuvasti kireällä. Säätöä ei tarvita lukuun ottamatta karan kevyttä rasvausta.

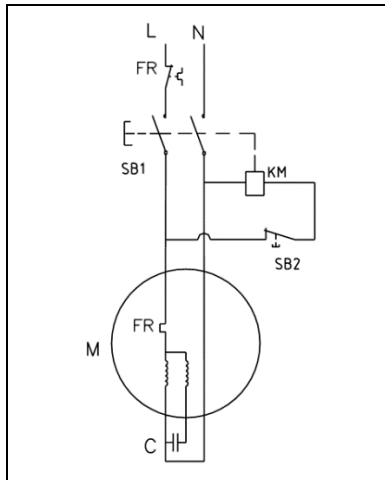
Laakerit ovat tiiviit elinikänsä ajan.

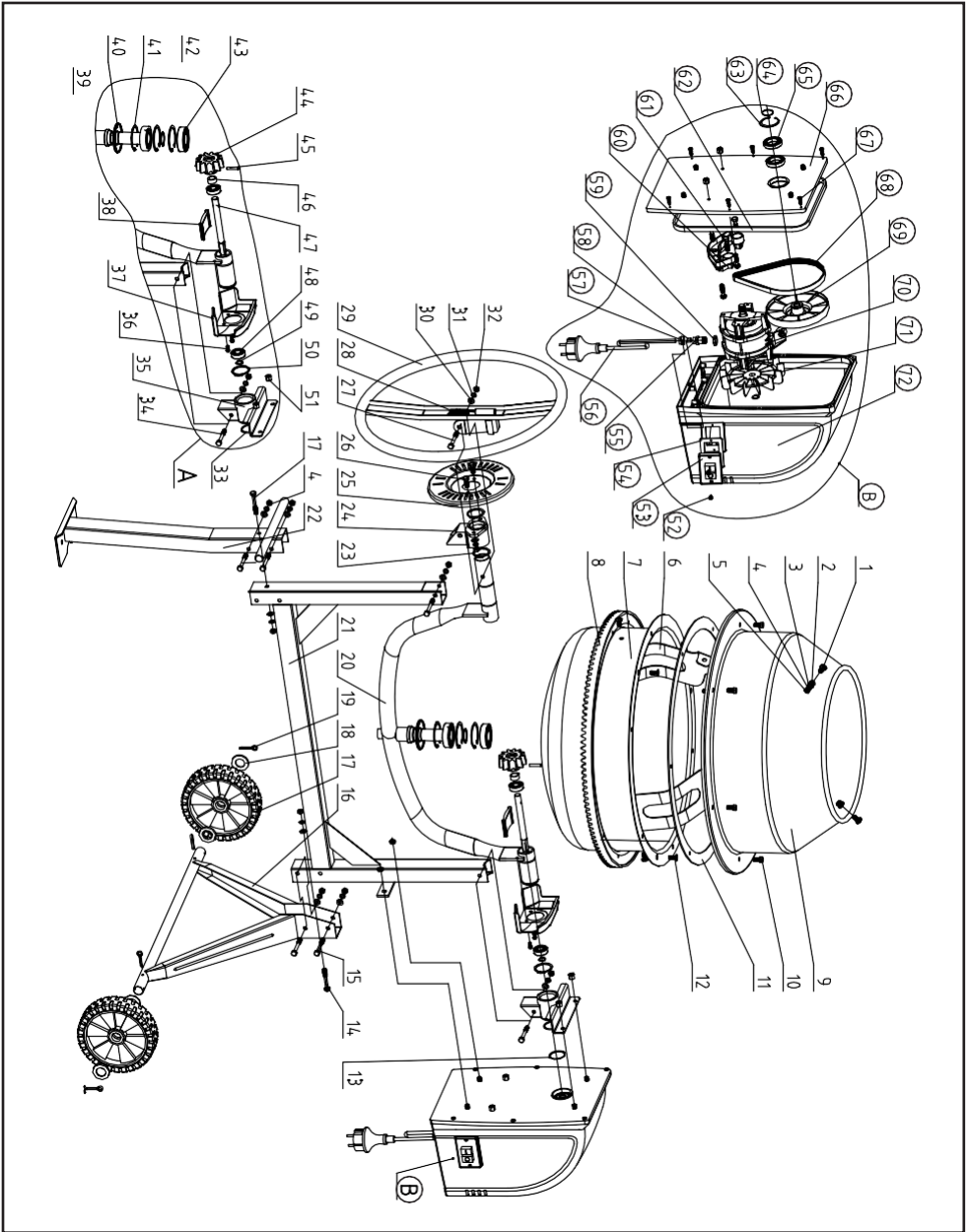


Tämän käyttöoppaan kytkentäkaavio ja osakaavio ovat ainoastaan viitemateriaalina. Valmistaja tai jakelija eivät anna ostajalle minkäänlaista ilmoitusta tai takuuta siitä, että hänellä on pätevyys tehdä mitään tuotteen korjauksia tai että hänellä olisi pätevyys korvata tuotteen mitään osia. Ainoastaan pätevät asentajat saavat korjata sekoittimen. Sähkökomponenttien kaikkalainen huolto ja korjaus on annettava valtuutetun sähköasentajan tehtäväksi. Piirien osia saa asentaa ainoastaan valtuutettu sähköasentaja.



## SÄHKÖKAAVIO







# EU vaatimustenmukaisuusvakuutus

Me

**Kesko Corporation Group Companies,**

**Osoite: Satamakatu 3, FI-00160, Helsinki, Finland**

**Puhelin: +358 -10 53032 Faksi: +358-9 857 4783**

**vakuutamme yksinomaisella vastuullamme, että seuraava tuote**

Laite: Betonimylly

Merkin nimi: FXA

Malli/tyyppi: 502039977/HCM450

**Noudattaa seuraavien direktiivien vaatimuksia**

Konedirektiivi (MD) 2006/42/EY

Sähkömagneettinen yhteensopivuus direktiivi (EMC) 2014/30/ EU,

**Ja seuraavia standardeja ja teknisiä erittelyjä on sovellettu:**

EN 12151:2007

EN 60204-1: 2006+A1:2009

EN 55014-1: 2006/A1:2009/+A2:2011

EN 55014-2: 2015

EN 61000-3-2:2014

EN 61000-3-3:2013

Helsinki, Finland, 11, 2018

**Kesko Corporation Group Companies,**

**FÖRSTÅ DIN BLANDARE**

Läs och förstå bruksanvisningen och etiketterna fastsatta på blandaren. Lär dig dess användningsområde och begränsningar samt de specifika potentiella riskerna som är typiska för blandaren.

Bekanta dig med kontrollerna innan blandaren används.

**VAR UPPMÄRKSAM**

Använd inte blandaren under påverkan av droger, alkohol eller något läkemedel som kan påverka din förmåga att använda den korrekt.

Använd inte denna blandare när du är trött eller distraherad från jobbet du har framför dig. Fokusera på det du gör hela tiden. Använd sunt förnuft.

**UNDBIK FARLIGA FÖRHÅLLANDEN**

Se till att arbetsytan är tillräckligt stor.

Håll ditt arbetsområde rent och väl belyst. Stökiga områden orsakar skador. Håll området runt blandaren fri från hinder, fett, olja, skräp och annat som kan orsaka att personer faller på rörliga delar.

Använd endast blandaren på fast, platt och jämnt underlag som kan bära blandarens vikt och dess fyllning för att förhindra att mixern tippas över.

Försök inte flytta blandaren när den är fylld och/eller i drift.

Denna blandare är avsedd för att tillverka betong, murbruk och gips. Den är inte lämplig för blandning av brandfarliga eller explosiva ämnen. Använd den inte i områden där rök från färg, lösningsmedel eller brandfarliga vätskor utgör en potentiell fara.

**INSPEKTERA DIN BLANDARE**

Kontrollera din blandare innan den slås på. Ha vakter på plats och i arbetsskick. Anslut inte blandaren med motorskyddet av. Kontrollera alla bultar, muttrar och skruvar för täthet före varje användning, framförallt de som skyddar drivmekanismer. Vibration under blandning kan orsaka att dessa lossnar.

Gör det till en vana att kontrollera att alla justeringsverktyg, spadar, slevar och andra verktyg/utrustning tas bort från området innan du slår på blandaren.

Byt ut skadade, saknade eller felaktiga delar innan den används. Varningsetiketter har viktig information. Byt alla varningsetiketter som saknas eller skadats.



**BÄR LÄMPLIG KLÄDSEL**

Bär inte löst sittande kläder, handskar, slipsar eller smycken (ringar, armbandsklockor). De kan fastna i rörliga delar. Skyddande, icke elektriskt ledande handskar och halkfria skor rekommenderas vid arbete. Använd skyddande hårnät för att hålla långt hår på plats så det inte fastnar i maskinen. Bär en ansiktsmask eller dammfiltermask i dammig arbetsmiljö. Bär alltid skyddsglasögon och/eller ansiktsskydd. Vanliga glasögon har endast slagtåliga linser. De är inte skyddsglasögon.

**MISSBRUKA INTE SLADDEN**

Bär aldrig blandaren i sladden eller dra i den för att dra ut kontakten.

Håll sladden borta från värme, olja och vassa kanter.

**FÖRLÄNGNINGSSLADDAR**

Förlängningssladdar får inte vara längre än 50 meter. Ledningssektionen måste vara 1,5 mm<sup>2</sup> på 230 V för att möjliggöra tillräckligt spänningsflöde till motorn. Felaktig användning av förlängningssladdar kan orsaka ineffektiv drift av blandaren, vilket kan leda till överhettning och motorskador.

Endast förlängningssladdar med H07RN-F-specifikation avsedd för utomhusbruk får användas. Undvik användning av fria och otillräckligt isolerade anslutningar. Kontakter måste vara av skyddat material, lämpligt för utomhusbruk. Se till att alla förlängningssladdskontakter är torra och säkra. Se till att förlängningssladden läggs ut noggrant så att vätskor, vassa kanter och platser där fordon kan köra över den undviks. Se till att förlängningssladden inte fastnar under blandaren. Vira ut den helt annars kan den överhettas och börja brinna.

**UNDUK ELKTRISKA STÖTAR**

Kontrollera att elkretsen är tillräckligt skyddad och att den motsvarar motorns effekt, spänning och frekvens.

Koppla inte till eller från motorn när den står på fuktigt eller vått underlag. Använd inte blandaren i våta eller fuktiga områden eller utsätt den för regn.

Undvik kroppskontakt med jordade ytor: rörledningar, värmeelement, spisar och kylskåp.

Se till att dina fingrar inte rör på kontaktens metallspetsar när du kopplar till eller kopplar från blandaren.

**HÅLL BESÖKARE ELLER BARN BORTA**

Håll obehöriga personer borta från blandaren.

Tillåt inte barn hantera eller klättra på eller i blandaren.



**LUTA DIG INTE ÖVER**

Stå alltid stadigt med båda fötterna på marken och med god balans när blandaren fylls på eller töms.

Stå aldrig på blandaren. Allvarlig skada kan uppstå om blandaren tippas eller om de rörliga delarna vidrörs oavsiktligt. Förvara inte något ovanför eller nära blandaren där någon kan behöva stå på blandaren för att nå dem.

**UNDBIK SKADA FRÅN OVÄNTAD OLYCKA**

Håll händerna borta från alla rörliga delar. Placera inte någon kroppsdel eller något verktyg, som en spade, i trumman under drift. För inte in händerna genom mellanrummet mellan ram och stödarm eller genom trumman och stödarmen under drift.

**ÖVERBELASTA INTE VERKTYGET**

Den gör ett bättre och säkrare jobb på sin avsedda hastighet. Arbeta alltid inom nominell kapacitet.

Starta inte motorn om trumman är fulladdad. Slå inte av blandaren när den är full av betong.

Använd inte blandaren för något annat ändamål än det den är avsedd för.

Blandaren ska inte bogseras av något fordon.

**LÄMNA ALDRIG BLANDAREN I DRIFT UTAN UPSSIKT**

Lämna inte blandaren tills den har stoppats helt.

**KOPPLA FRÅN STRÖMMEN**

Öppna aldrig motorskyddet innan du kopplat från blandaren. Koppla från strömförsörjningen när den inte används, innan du flyttar, gör justeringar, byter delar, rengör eller arbetar på blandaren. Konsultera teknisk handbok innan service.

**UNDERHÅLL DIN BLANDARE MED OMSORG**

Rengör blandaren omgående efter användning. Håll blandaren ren för bästa och säkraste prestanda.

Vid underhåll av denna blandare får endast tillverkarens ursprungliga reservdelar användas.


**SKYDD AV MILJÖ**

Ta med överblivet material till en auktoriserad insamlingsplats eller följ bestämmelserna i det land där blandaren används. Släpp inte ut i avlopp, jord eller vatten.

**FÖRVARA UTRSUTNING SOM INTE ANVÄNDS**

När blandaren inte används ska den förvaras på en torr plats för att minska rost. Förvara blandaren oåtkomligt för barn och andra personer som inte är behöriga att använda den.

Denna blandare är dubbelisolerad med klass II-skydd och IP44D-märkt. Isoleringen förblir endast effektiv om de ursprungliga isoleringsdelarna används för reparationer, och mellanrummen mellan originalisoleringen bibehålls.

Dubbelisolering  eliminerar behovet av jordnät med tre ledningar och jordat nätaggregat. Dubbelisolerade verktyg kan antingen använda en förlängningsladd med två eller tre ledningar.

<b>Modellnummer</b>	<b>HCM450</b>	
<b>Motor</b>	550 W S6 30 %	
<b>Trummans kapacitet</b>	125 liter	
<b>Trummans öppning</b>	380 mm/s	
<b>Trummans hastighet</b>	26,6/min	
<b>Total storlek</b>	<b>L</b>	1200 mm/s
	<b>V</b>	710 mm/s
	<b>H</b>	1400 mm/s
<b>Vikt</b>	51 kg	

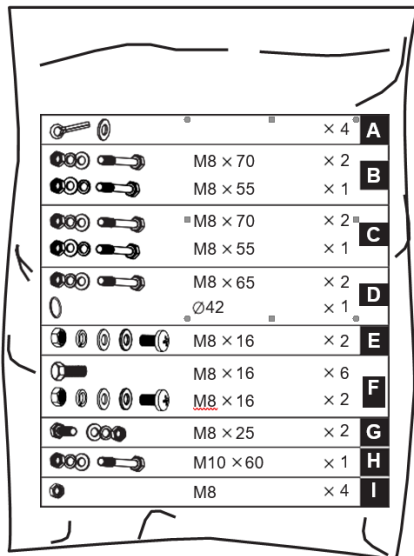
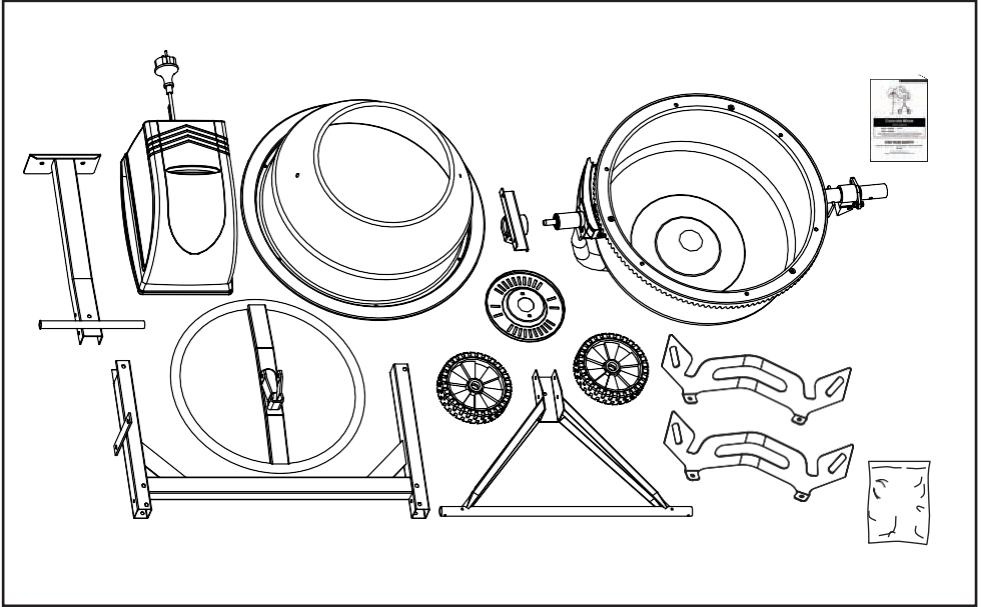


Anslut inte någon kärna till jordstiftet.

Användning av en jordfelsövervakning (Residual Current Device "RCD"), (differentialskydd), på 230 V elektricitet rekommenderas. Om en förlängningsladd används, anslut den direkt till RCD.

När den används i Schweiz, anslut endast blandaren till ett uttag som skyddas av felströmbrytare.

## INNEHÅLL AV LEVERANSBEHÅLLARE

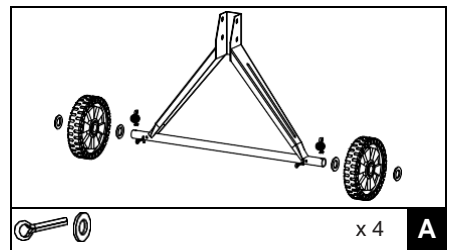


## MONTERINGSINSTRUKTIONER

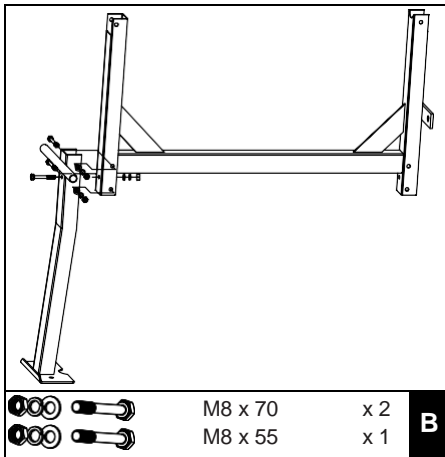


Att två personer hjälper till med monteringen rekommenderas

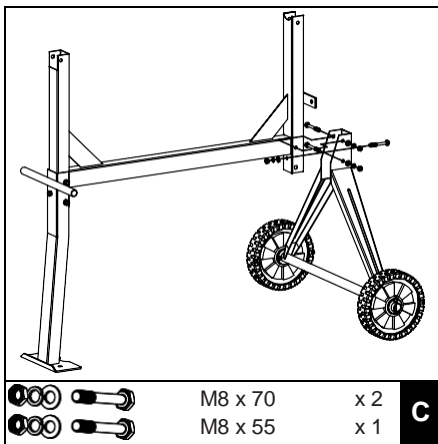
### STATIV



- Placera ett delat stift isatt i de inre hålen i varje axeltapp, placera en platt bricka och sedan ett hjul följt av en till platt bricka. Sätt i ett till delat stift i axelhålen utanför varje platt bricka. Böj varje sida av stiften utåt så de inte faller ut.

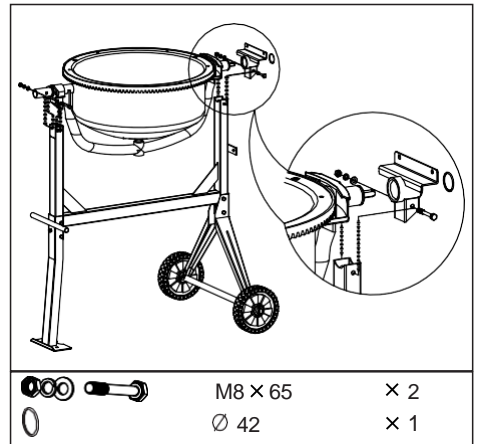


6. När ramen ligger på sidan, fäst stödbenen enligt bilden. Sätt i två M8X70-hexbultar genom hålen från ena sidan och sedan platta brickor, låsbrickor och muttrar från andra sidan. Skruva även i en M8X55-hexbult med låsbrickor och platta bricka i muttern på ramen. Dra åt.



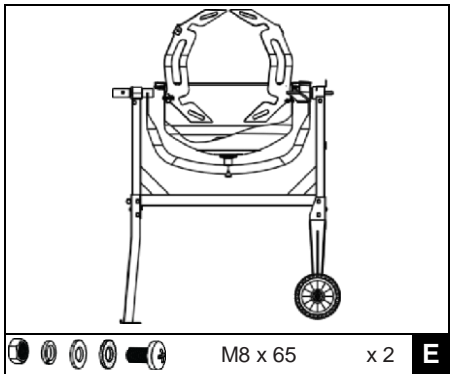
7. Vänd på ramen och fäst axelhållaren med hjul på samma sätt  
 8. Se till att muttrar och bultar är åtdragna.

## DEN UNDRE TRUMMAN



9. Skjut lagerblocket på skaftet. Håll den på plats med  $\varnothing 42$  spiralring  
 10. Med hjälp av två personer och med omsorg, fäst den undre trumman med supportarm på sidostödet av stativet som visas på bilden, så att lagerblocken går in i kanalerna försedda med sidostödet. Skaftet med större diameter ska vara på slutet av stativets ben.  
 11. Rada upp hålen på båda sidorna i sidostödet med de i lagerblocket och sätt i en M8X65-hexbult från ena sidan och en platt bricka, låsbricka och mutter från andra sidan. Dra åt med nyckel.

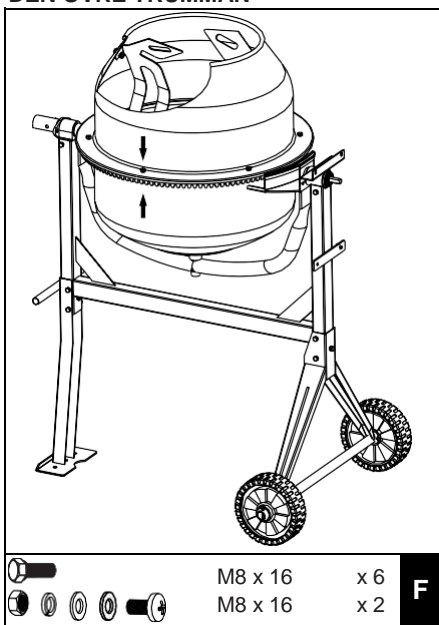
## BLANDARENS KNIVAR



Montera blandarens knivar löst inuti den undre trumman enligt bilden - Två hål finns på basen av trumman där en M8X16-bult kan sättas i från utsidan. En läderpackning, platt packning, låsbricka och en mutter ska gängas på löst på insidan. Läderpackningen ska placeras under kniven vänd mot trumman.

**OBS!** Två pilar är märkta på den övre och undre trumman så att de kan placeras mot varandra. Om du har problem med att korrekt placera blandarens knivar är det hjälpsamt om du tillfälligt monterar den övre trumman överst på den nedre trumman och roterar den så att de två pilarna är i linje.

### DEN ÖVRE TRUMMAN



12. Placera den övre trumman på den undre trumman över kanten och se till att båda monteringshålen är i linje samt de märkta pilarna.

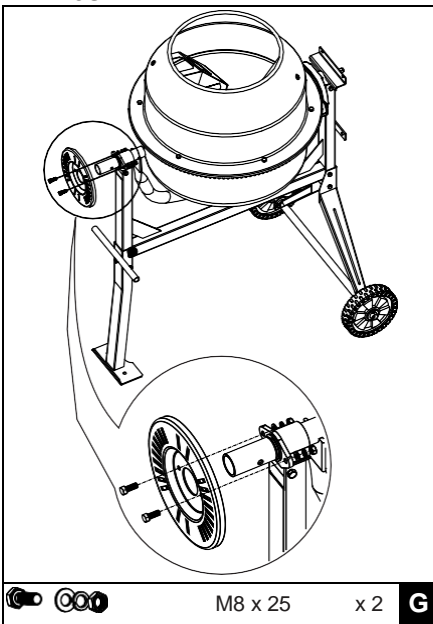
13. Skruva i en M8X16-hexbult med låsbrickor och platta bricka i varje gängat hål på kanten/startringen. Se till att åtdragningen genomförs gradvis.

14. Säkra blandarens knivar till den övre trumman genom att sätta in två M8X16-korsskruvar, från utsidan genom hålen i trumman.

15. En läderpackning ska placeras inuti, mellan trumman och kniven. Säkra blandarens kniv på insidan med hjälp av en platt bricka, fjäderbricka och mutter.

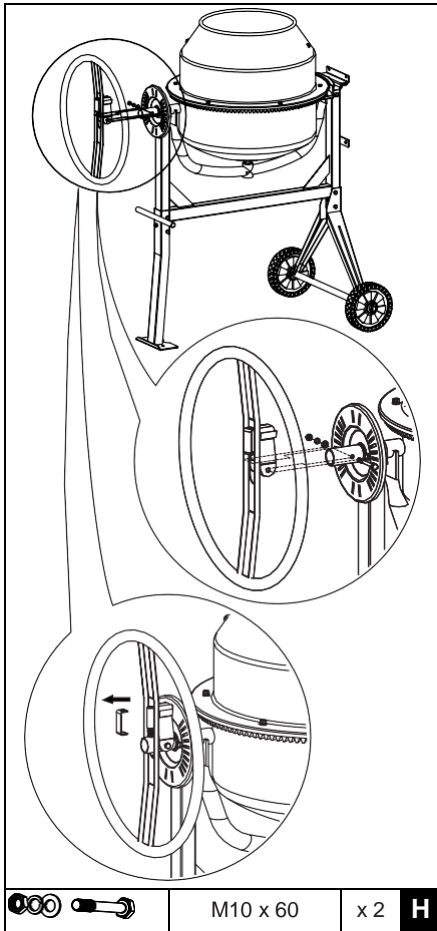
16. Avslutningsvis, se till att den övre och undre blandarens knivmontering är åtdragen.

### TIPPHJULET



17. Skjut låsplattan över skaftet med den stora diametern på slutet av benet på ramen med kanten vänd inåt enligt bilden. Säkra med två M8X25-bultar, var och en med en mutter, låsbricka och platt bricka.

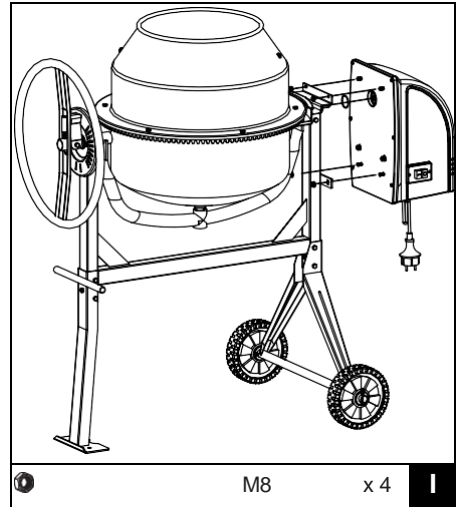




18. Fjädern kläms i sin hållare med en U-formad platta för enklare montering. Skjut hjulet över skaftet med större diameter tills hälen i hållaren är i linje med de borrade hälen. Sätt i en M10X60-hexbult och skruv på en mutter med platta bricka och låsbrickor från den andra sidan. Skruva åt muttern mot hållaren ordentligt, men inte så hårt så att den förhindrar hjulet från att snurra runt bulten. Frigör fjädern genom att ta bort den U-formade plattan.

OBS! Hjulet måste kunna snurra runt bulten så att flänsarna på hållaren kan kopplas i och kopplas ur från öppningarna på låsplattan.

## VEVHUSET



Med kilspåren i linje, skjut vevhuset över kugghjulsaxeln. Säkra huset till ramen med fyra M8-muttrar.

## BRUKSANVISNING

### LUTNING AV TRUMMA

Det fjäderladdade tiphjulet med låsflänsar ger en enkel positiv kontroll av trumman som kan ställas in till positionen blanda, tömma och förvarad.

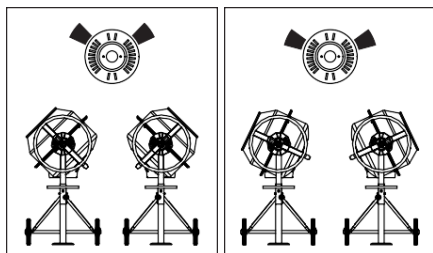
Trumman låses på plats av flänsar på det självlåsandet tippshjulet som hakar i låsplattan på blandarens ram. För att luta trumman, dra tillbaka tippshjulet för att koppla från låsflänsarna. Detta gör att man kan vrida tippshjulet och trumman i samma riktning.

För att hålla trumman på plats, rikta flänsarna med öppningarna, frigör tippshjulet något medan trumman hålls kvar. Roter tippshjulet tills låsflänsarna hakar i låsplattan på blandarens ram.

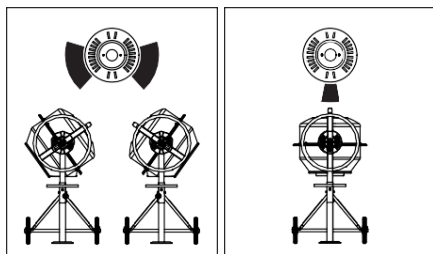
### Positionen fylla på/blanda

För murbruk

För betong



### Positionen tömma Positionen förvaring



### FYLLA PÅ



Virta ut förlängningssladden helt. Anslut den först till betongblandaren innan du ansluter strömförsörjningen.



Starta alltid blandaren innan du fyller på trumman. Fyll på trumman med trumman i rotation.



Kasta inte material in i blandaren för att undvika att de fastnar på baksidan av trumman. Låt de istället rinna sakta in i trumman.

**OBS!** En inbyggd termisk skyddsanordning är anordnad i motorn för att förhindra överhettning. Den termiska skyddsanordningen återställs automatiskt när motorn kyls ner.

För bästa resultat, fortsätt enligt följande:

19. Tillsätt den önskade mängden grus i trumman.
20. Tillsätt den önskade mängden cement i trumman.
21. Tillsätt den önskade mängden sand i trumman.
22. Håll i den önskade mängden vatten i trumman.

### TÖMMA



Slå inte av blandaren när den är full. Töm trumman med trumman i rotation.

### RENGÖRING



Placera aldrig händer i trumman med trumman i rotation.

Rengör blandaren noggrant vid slutet av varje dag den används. Håll blandaren ren. Det minsta spåret av material kvar i trumman hårdar och fastnar mer varje gång du använder den tills maskinen slutar fungera. Torkat cement ska skrapas ut ur trumman. Kasta inte tegelstenar i blandarens trumma för att rengöra den. Slå inte på trumman med en spade, en hammare eller andra verktyg för att bryta upp ackumulering av torkad cementblandning, eftersom det kan skada blandaren. Trumman kan sköljas i ungefär 2 minuter med 2,5 cm grus och vattenblandning. Töm sedan grus-/vattenblandningen och spola trumman med slang inifrån och utifrån. IP44D-skyddsklassens konstruktion av betongblandaren gör att det är säkert att spola ur trumman med slang.



Häll eller spreja inte vatten direkt över motorskyddet, särskilt öppningarna.



Torka av eventuellt material på motorskyddet. Använd inte bensin, terpentin, förtunningsmedel av lack eller färg, kemtvättsvätskor eller liknande produkter. Användningen av kemiska produkter eller lösningsmedel kan påverka skyddets egenskaper som tillverkades av polyeten med hög densitet.

## UNDERÅLLSINSTRUKTIONER



Se till att förlängningssladden alltid är urkopplad innan motorskyddet tas bort.

Drivremmen är under konstant jämn spänning genom en fjäderbelastad anordning. Ingen justering förutom lite smörjfett på spindeln behövs.

Lagren är förseglade för alltid.

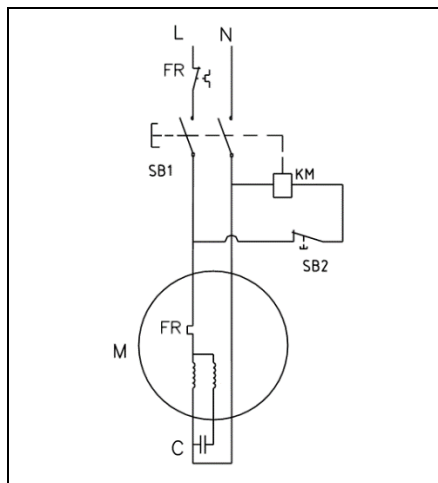


Kopplingsschemat och de schematiska delarna i denna bruksanvisning är endast som referens. Varken tillverkaren eller distributören tar något ansvar eller ger någon garanti av något slag till köparen att han eller hon är behörig att göra några reparationer av produkten eller att han eller hon är behörig att ersätta alla delar av produkten. Endast behörig tekniker ska reparera blandaren. Eventuella underhålls- och reparationsarbeten, till någon av de elektriska komponenterna, måste utföras av en behörig elektriker.

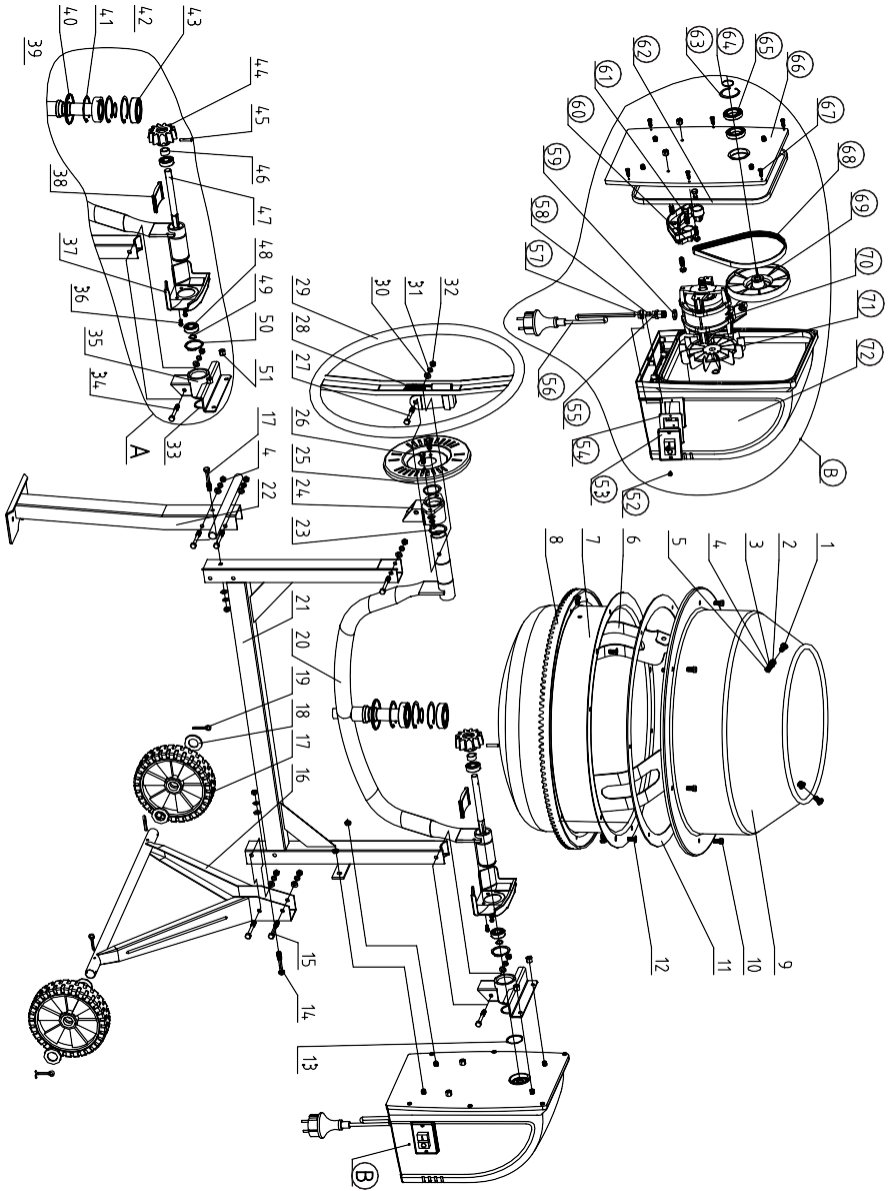


Delar i en krets får endast monteras av en behörig elektriker.

## KOPPLINGSSCHEMA



# SCEMATSKA DELAR



# EU-försäkran om överensstämmelse

Vi

**Kesko Corporation Group Companies,**

**Adress: Hamngatan 3, FI-00160, Helsingfors, Finland**

**Telefon: +358-10 53032 Fax: +358-9 857 4783**

**Intyggar på heder och samvete att följande produkt**

Utrustning: Betongblandare

Varumärke: FXA

Modell/typ: 502039977/HCM450

## **överensstämmer med**

Maskindirektiv (MD) 2006/42/ EC

Direktiv (EMC) 2014/30/EU om Elektromagnetisk Kompatibilitet

**och följande harmoniserade standarder och tekniska specifikationer har tillämpats:**

EN 12151:2007

EN 60204-1: 2006+A1:2009

EN 55014-1: 2006/A1:2009/+A2:2011

EN 55014-2: 2015

EN 61000-3-2:2014

EN 61000-3-3:2013

Helsingfors, Finland, 11, 2018

**Kesko Corporation Group Companies,**

### LÆR OG KJENN DIN BLANDER

Les og lær brukermanualen og sikkerhetsadvarslene festet til blanderen. Lær blanderens bruksanvendelser og begrensninger samt de spesifikke potensielle farene som er særegne for den. Gjør deg kjent med kontrollknapper og -spaker før du begynner å bruke blanderen.

### VÆR OPPMERKSOM

Ikke bruk blanderen dersom du er påvirket av narkotika, alkohol eller medisiner som kan påvirke evnen til å bruke den på riktig måte.

Ikke bruk denne blanderen når du er trøtt eller distraheret. Følg alltid med på hva du gjør. Bruk sunn fornuft.

### UNNGÅ FARLIGE SITUASJONER

Pass på at det er tilstrekkelig fri plass rundt arbeidsområdet. Hold arbeidsområdet ditt rent og godt opplyst. Uryddige arbeidsplasser fører til skader. Hold området rundt blanderen fri for hindringer, fett, olje, søppel og annet som kan føre til at personer faller på bevegelige deler.

For å hindre blanderen fra å tippe over må den bare brukes eller betjenes på solid, flatt, jevnt underlag som er i stand til å bære vekten av blanderen og dens last.

Ikke prøv å flytte mikseren når den er lastet og / eller i drift.

Ikke prøv å flytte mikseren når den er lastet og / eller i drift. Blanderen er uegnet til blanding av brennbare eller eksplosive stoffer. Ikke bruk det i områder hvor avgasser fra maling, løsemidler eller brannfarlige væsker kan utgjøre en potensiell fare.

### Kontroller at blanderen din er i orden

Sjekk blanderen før du slår den på. Sørg for at utstyrsvern er på plass og i orden. Ikke koble strøm til blanderen med motordekselet åpent. Sjekk at alle bolter, muttere og skruer sitter godt fast før hver bruk, særlig de som fester utstyrsvern og drivmekanismer. Vibrasjon under blanding kan føre til at disse løsner.

Gjør det til en vane å sjekke for å se at alt måleutstyr, alle spader, trillebærer og annet verktøy / utstyr er fjernet fra blanderens arbeidsområde før blanderen slås på.

Erstatt skadede, manglende eller ødelagte deler før bruk av blanderen. Advarselskilt angir viktig informasjon. Erstatt alle manglende eller ødelagte advarselskilt.



### KLE DEG RIKTIG

Ikke bruk løse klær, hansker som sitter dårlig på hendene, slips eller smykker (ringer, armbåndsur). Disse kan hekte seg fast i bevegelige deler. Vernehansker som ikke leder strøm og sklisikre sko anbefales under arbeid. Bruk hårnett ved langt hår, hindrer håret fra å bli hengende fast i maskineriet. Bruk ansiktsmaske eller støvmaske ved støvete arbeid. Bruk alltid vernebriller og / eller verneskjerm. Dagligdagse briller har bare glass med motstand mot støt. De er ikke vernebriller.



### MISBRUK IKKE STRØMKABELEN

Løft aldri blanderen etter strømkabelen eller dra i strømkabelen for å koble blanderen fra stikkkontakten. Hold kabelen vekk fra varme, olje og skarpe kanter.

### SKJØTEKABLER

Skjøtekabler må ikke være lenger enn 50 meter. Kabelen må ha et tverrsnitt på 1,5 mm<sup>2</sup> og være beregnet for styrestrøm 230V for å tillate tilstrekkelig strømtilførsel til at motoren. Feil bruk av skjøteledninger kan føre til at blanderen ikke går som den skal. Dette igjen kan føre til overoppheting av, og skader på motoren. Bare skjøteledninger beregnet for utendørs formål i samsvar med H07RN-F spesifikasjon kan brukes. Unngå bruk av billige og utilstrekkelig isolerte tilkoblinger. Tilkoblinger må være laget av beskyttet materiale egnet for utendørs bruk. Vær sikker på at skjøtekabler du benytter er tørre og trygge å bruke. Forsikre deg om at skjøteledningen ligger over et område uten væsker eller skarpe kanter og der kjøretøy ikke kan kjøre over den. Unngå at skjøtekabelen ligger i klem under blanderen. Strekk skjøtekabelen helt ut, ellers kan den bli overopphetet og ta fyr.

### UNNGÅ ELEKTRISK STØT

Kontroller at strømkretsen er tilstrekkelig beskyttet, og at tilførselen stemmer overens med motorens krav til effekt, spenning og frekvens.

Ikke koble til eller fra motoren mens du står i eller rundt fuktig eller våt jord. Ikke bruk blanderen i fuktig eller vått område eller i område der den er eksponert for regn.

Unngå kroppskontakt med jordet utstyr som rør, radiatorer, komfyrer og kjøleskap.

Pass på at fingrene ikke berører stikkontaktens metallklemmer når du plugger i eller trekker ut strømmen til blanderen.

### HOLD BESØKENDE OG BARN BORTE FRA BLANDERENS ARBEIDSOMRÅDE



Hold ufaglærte personer vekk fra blanderen.  
Ikke tillat barn å betjene eller klatre på eller inn i blanderen.



## SYMBOLER FOR SIKKERHETSADVARSLER OG INSTRUKSJONER

SYMBOLER FESTET PÅ MASKINEN

### UNNGÅ Å TA OVERBALANSE

Stå stødig og i balanse til enhver tid når du laster eller tømmer blanderen.

Stå aldri på blanderen. Alvorlig skade kan oppstå hvis blanderen tipper, eller hvis utilsiktet kontakt med de bevegelige delene oppstår. Ikke lagre saker foran eller i nærheten av blanderen så uvedkommende kan bli fristet til å stå på blanderen for å nå tak i dem.

### UNNGÅ SKADER VED PLUTSELIGE ULYKKER

Hold hendene vekk fra alle bevegelige deler. Før ingen kroppsdeler eller verktøy som f.eks. spade inn i trommelen mens den er i arbeid. Hold hendene unna klaringen mellom rammen og betjeningsspaken og klaringen mellom trommelen og betjeningsspaken når blanderen er i bruk.



### OVERBELAST IKKE BLANDEREN

Blanderen vil gjøre en bedre og sikrere jobb når oppgitt kapasitet ikke overstiges. Arbeid alltid innenfor nominell kapasitet.

Ikke start motoren med trommelen fullastet. Ikke slå av blanderen mens den er full av betong.

Bruk ikke blanderen til noe annet formål enn det den er tiltenkt. Blanderen må ikke slepes av kjøretøy.



### FORLAT ALDRI BLANDEREN NÅR DEN ER I ARBEID

Forlat ikke blanderen før den har stoppet helt opp.

### FRAKOBLING AV STRØM

Åpne aldri motordekselet uten først å trekke ut støpselet. Koble fra strømforsyningen når blanderen ikke er i bruk, før flytting, før du foretar justeringer, endrer deler, rengjør, eller utfører annet arbeid på blanderen. Rådfør teknisk håndbok før du utfører service.



### TA VARE PÅ BLANDEREN DIN

Rengjør blanderen umiddelbart etter bruk. Hold blanderen ren for best og sikrest ytelse.

Ved vedlikehold av denne blanderen skal kun produsentens originale reservedeler brukes.

### BESKYTT MILJØET



Bring overskuddsmateriale til en autorisert deponeringsplass eller følg bestemmelsene i landet der blanderen brukes. Blanderen må ikke tømmes i avløp, matjord eller vann.




### LAGRING NÅR IKKE I BRUK

Når blanderen ikke er i bruk, må den lagres på et tørt sted for å hindre rustdannelse. Oppbevar blanderen utenfor rekkevidde av barn og andre som ikke er kvalifisert til å bruke den

### ELEKTRISK TILKOBLING

### SPECIFICATIONS

Denne blanderen er dobbeltisolert til beskyttelsesklasse II og har IP44D godkjenning. Isolasjonen vil forbli effektiv kun dersom originale isolasjonsdeler brukes til reparasjoner og avstandene mellom isolasjonen opprettholdes som opprinnelig.

Dobbel isolasjon  eliminerer behovet for 3-fas jordet strømledning og jordet strømforsyning. Dobbeltisolert utstyr kan bruke skjøtekabel med både 2 og 3 ledere.

<b>Modellnummer</b>	<b>HCM450</b>	
<b>Motor</b>	550W S6 30 %	
<b>Trommel kapasitet</b>	125 liter	
<b>Trommel åpning</b>	380 mm	
<b>Trommel hastighet</b>	26.6 / min	
<b>Totale mål</b>	<b>L</b>	1200 mm
	<b>B</b>	710 mm
	<b>H</b>	1400 mm
<b>Vekt</b>	51 kg	

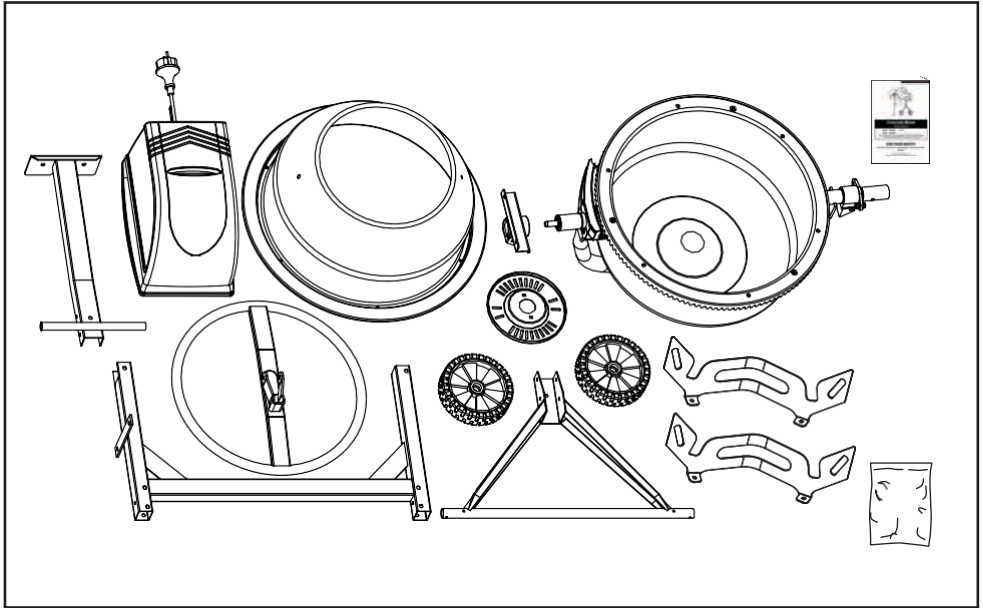


Ingen av ledningene skal kobles til jord.

Bruk av RCD (jordfeil-utkobler) på 230V elektriske anlegg er anbefalt. Hvis du bruker en skjøtekabel, koble den direkte til RCD.

Ved bruk i Sveits, må blanderen bare kobles til stikkontakter beskyttet av feilstrømbryter (jordfeilbryter).

## TRANSPORTKASSENS INNHOLD

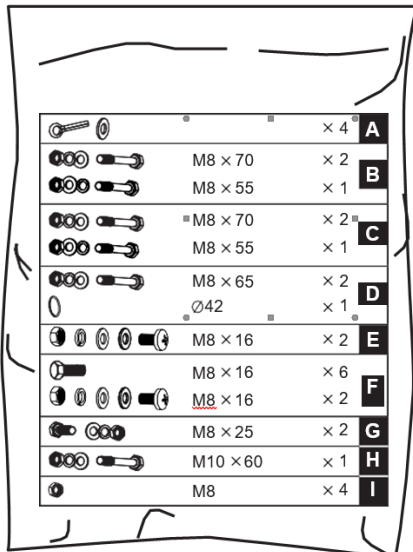
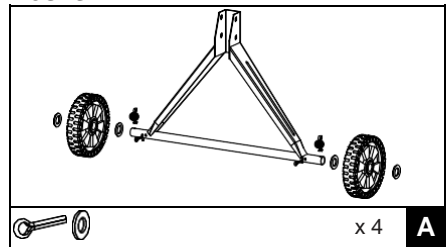


## MONTERINGS INSTRUKSJONER



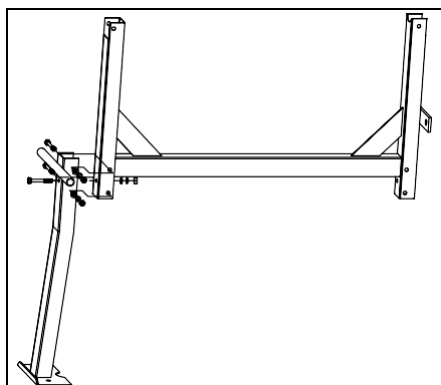
Det anbefales å være to personer til montasjen.

### HJULSTATIV



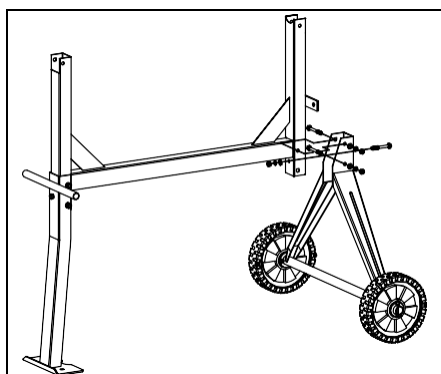
23. Sett en splint inn i de innerste hullene i hver akseltapp, tre så på en flat skive, og et hjul etterfulgt av en annen flat skive. Sett inn en annen splint i hullene utenfor hver flat skive på akslingen. Bøy

hver side av splintene utover slik at de ikke faller ut.



	M8 x 70	x 2	<b>B</b>
	M8 x 55	x 1	

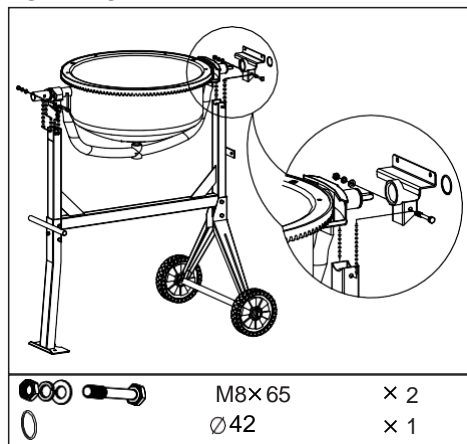
24. Med rammen liggende på siden, festes støttebenet som vist. Sett to M8X70 sekskantede bolter gjennom hullene fra den ene siden, og deretter flate skiver, underlagsskiver og muttere fra den andre siden. Skru også en M8X55 sekskant skrue med lås- og stoppskive til mutteren på rammen. Stram skruene.



	M8 x 70	x 2	<b>C</b>
	M8 x 55	x 1	

25. Vri rammen over og fest akselbrakketten med hjul på samme måte.  
26. Kontroller at alle bolter og muttere er strammet til.

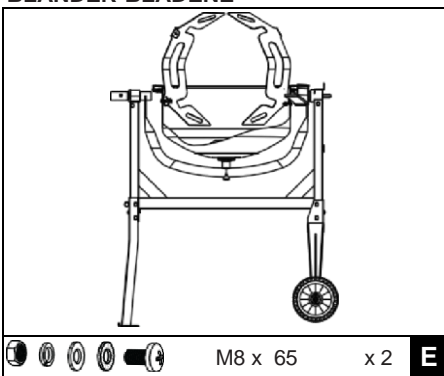
## BUNNTROMMEL



	M8x65	x 2
	Ø42	x 1

27. Skyv lagerblokken inn på akselen. Hold den på plass med 42 spiral ring.  
28. Forsiktig og med to personer, settes bunntrommelen med støtte-arm på stativets sidestøtter som vist, slik at lageret låser seg i kanalene på sidestøttene. Akslingen med størst diameter skal ligge mot stativets endekant.  
29. Juster hver side til hullene i sidestøtten er rett over hullene i lagerblokken og sett inn en M8X65-sekskantbolt fra den ene siden, deretter en flatskive, en låseskive og mutter fra den andre siden. Stram med en skiftenøkkel.

## BLANDER-BLADENE

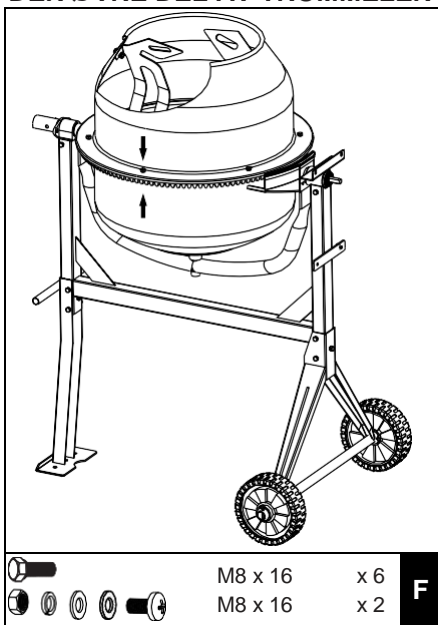


	M8 x 65	x 2	<b>E</b>
--	---------	-----	----------

Monter blander-bladene løselig inn i nedre trommel som vist - Det er to hull i bunnen av trommelen. I disse føres M8x16 bolter inn fra utsiden. En lærskiye, en flatskiye, en låseskiye og en mutter skal være løst gjenget på fra innsiden. Lærskiven skal plasseres under bladet ned mot trommelen.

**MERK:** To piler merket på øvre trommel og nederste trommel skal stå i posisjon rett over hverandre. Hvis du får problemer med korrekt plassering av blander-bladene, kan det være nyttig midlertidig å montere den øvre trommelen på toppen av den nederste trommelen og rotere dem slik at de to pilene peker opp.

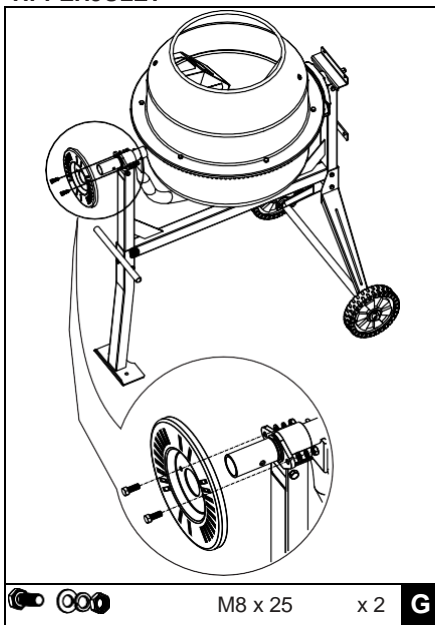
### DEN ØVRE DEL AV TROMMELEN



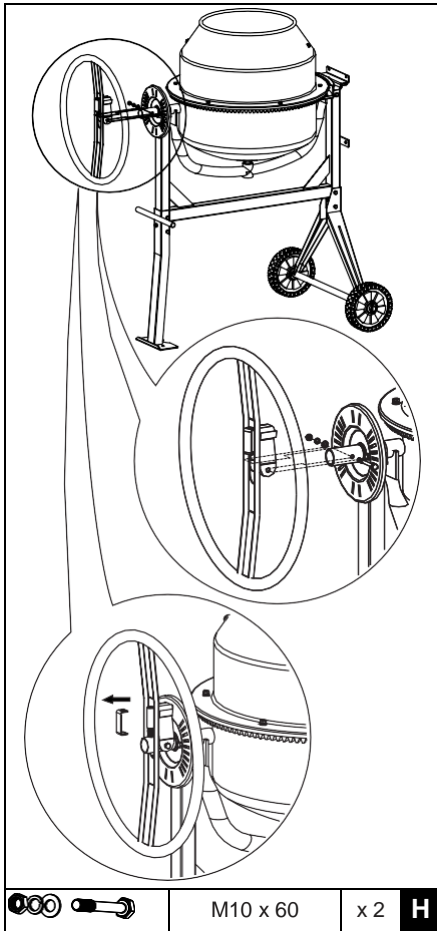
30. Plasser den øvre trommelen over flensen på bunntrummelen og sørg for at monteringshullene så vel som de merkede pilene står rett over hverandre.

31. Skru en M8x16 sekskantskrue med låsemutter og stoppskiye i hvert gjenget hull i felgen / ringdrevet. Pass på at strammingsprosessen utføres gradvis.
32. Fest blander-bladene til den øvre trommelen ved å sette inn to M8X16 krysshodeskruer fra utsiden og gjennom hullene i trommelen.
33. En lærskiye bør plasseres inn mellom trommel og blad. Fest blander-blad på innsiden ved hjelp av en flatskiye, en fjærskive og en mutter.
34. Til slutt, forsikre deg om at topp- og bunn blandingsbladene sitter godt fast.

### TIPPEHJULET



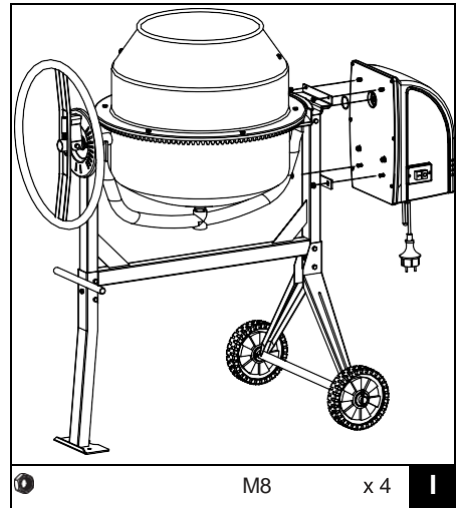
35. Skyv låsplatens over akselen på rammens arm med flensen vendt innover som vist. Sikre med to M8X25 bolter, hver med en mutter, en låseskiye og en stoppskiye.



36. Fjæren holdes fastspent i rett posisjon ved hjelp av en U-formet plate for enklere montering. La hjulet gli over akselen med størst diameter til hullene i braketten står over de ferdigborede hullene. Sett inn en M10X60 sekskantbolt og skru på en mutter med flatskive og låseskive fra den andre siden. Skru mutteren opp mot braketten så den sitter fast, men ikke så hardt at den forhindrer at hjulet svinger rundt bolten. Frigjør fjæren ved å fjerne den U-formede platen.

**MERK:** Hjulet må kunne svinge rundt bolten, slik at klakkene på braketten kan til- og frakobles sporene i låsplatene.

### MOTORHUSET



Still kilesprene i rett posisjon og skyv girhuset over tannhjulet. Fest huset til rammen med fire M8 muttere.

## BRUKSANVISNINGER TILTING AV

### TROMMEL

Det fjærbelastede tipp hjulet med låseknaster gir enkel og god kontroll over trommelen som kan låses i blandingsposisjon, tømme- og lagringsposisjon.

Trommelen er låst på plass med låseknaster på det selv-lokaliserende tipp hjulet. Låseknastene går inn i låsplatene på blander rammen. For å tilte trommelen trekkes vippehjulet ut for å løse ut låseknastene. Dette gjør det mulig å dreie tipp hjulet og trommelen i samme retning.

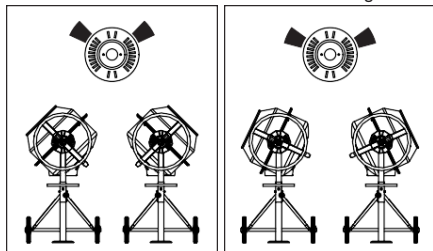
For å holde trommelen på plass justeres knastene i forhold til sporene og tipp hjulet slippes en liten stund til trommelen har festet seg.

Roter tipp hjulet inntil låseknastene griper inn i låsplatene på blanderens ramme.

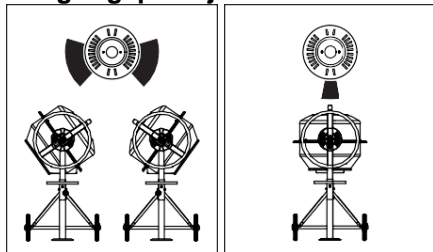
### Laste- / Blandeposisjon

For mørtel

For Betong



### Tømmeposisjon Lagringsposisjon



### LASTING



Strek skjøtekabelen helt ut. Koble skjøtekabelen til betongblanderen først, før du kobler til strømforsyningen.



Start alltid blanderen før du laster trommelen. Lasting av trommelen mens trommelen roterer.



Ikke kast materialene inn i trommelen med så mye kraft at alt samler seg bakerst i trommelen. La materialene drysse jevnt inn over kanten av trommelen.

**MERK:** En innebygd termisk beskyttelse er montert i motoren for å forhindre at den blir overopphetet. Den termiske beskyttelsen kobler ut igjen automatisk når motoren kjøles ned.

Best resultat oppnås når følgende prosedyre følges:

37. Tilsett den nødvendige mengde av grus i trommelen.
38. Tilsett den nødvendige mengde sement i trommelen.
39. Tilsett den nødvendige mengde av sand i trommelen.
40. Tilsett den nødvendige mengde av vann i trommelen.

### TØMMING



Før aldri hendene inn i trommelen så lenge trommelen roterer.

### RENGJØRING



Før aldri hendene inn i trommelen så lenge trommelen roterer.

Rengjør blanderen nøye hver dag etter endt bruk. Hold blanderen din ren. Det minste spor av materiale igjen i trommelen vil stivne og tiltrekke seg mer hver gang du bruker den til maskinen er ubrukelig. Tørket sement må skrapes ut av trommelen. Ikke kast stein inn i blandetrommelen for på den måten prøve å gjøre den ren. Ikke slå på trommelen med spade, hammer eller annet verktøy for å få ansamlinger av tørkede sementblanding til å løsne. Dette kan føre til skade på blanderen. Trommelen kan skylles i ca. 2 minutter ved bruk av en blanding av grus og vann. Deretter tømmes grus / vann-blanding ut og trommelen spyles innvendig og utvendig. At betongblanderens konstruksjon oppfyller

beskyttelsesklasse IP44D gjør det mulig å spyle ned trommelenheten på en sikker måte.



Ikke hell eller spray vann direkte mot motordekselet, spesielt ikke mot åpningene i dekselet.



Tørk av materiale som er sølt på motordekselet. Ikke bruk bensin, terpentin, lakk eller malings-tynnere, rensesvasker eller lignende produkter. Bruk av kjemiske produkter eller løsningsmidler kan påvirke egenskapene til dekselet laget av polyetylen (PET) med høy densitet.

## VEDLIKEHOLDS INSTRUKSJONER



Kontroller alltid at strømkabelen er trukket ut før motordekselet fjernes.

Drivremmen holdes konstant stram ved hjelp av en fjærbelastet strammer. Skal ikke justeres, tilsett kun litt fett på spindelen.

Forseglingen av lagrene holder seg tette hele blanderens levetid.

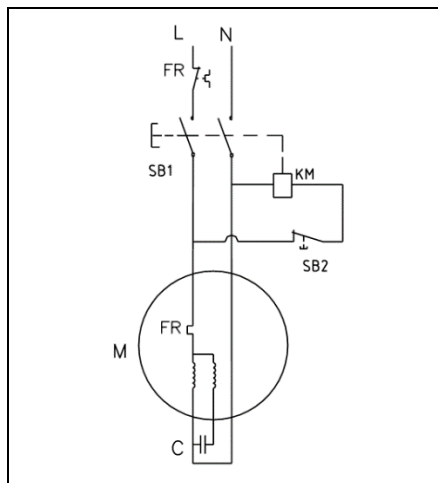


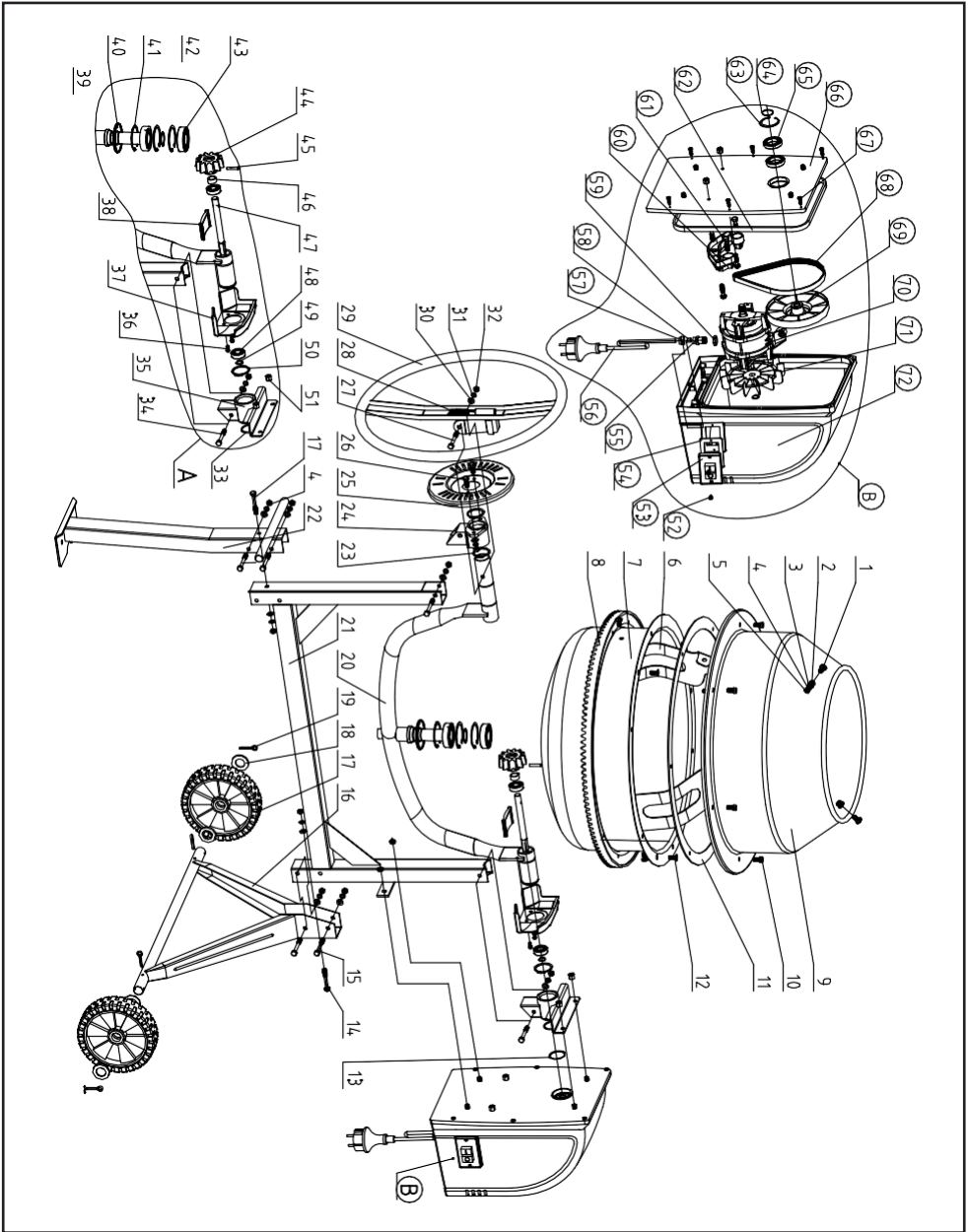
Koblingskjemaet og henvisningen til deler i denne håndboken, er kun ment som referanseverktøy. Verken produsent eller distributør gir noen form for tillatelse eller aksept av noe slag til kjøperen om at han eller hun er kvalifisert til å foreta reparasjoner på produktet eller at han eller hun er kvalifisert til å skifte ut deler på produktet. Kun teknisk kvalifiserte personer skal reparere blanderen. Alt av vedlikehold og reparasjoner på de elektriske komponentene må utføres av en autorisert elektriker.



Deler med sirkel rundt skal bare monteres av autorisert elektriker.

## WIRING DIAGRAM







# EU- samsvarserklæring

Vi,

**Kesko Corporation Group Companies,**

**Adresse: Satamakatu 3, FI-00160, Helsinki, Finland**

**Telefon: +358-10 53032 Faks: +358-9 857 4783**

**Erklærer under vårt eneansvar at følgende produkt**

Utstyr: Betongblander

Merkenavn: FXA

Modell/type: 502039977/HCM450

**er i samsvar med**

Maskindirektiv (MD) 2006/42/ EC

EU-direktiv for elektromagnetisk kompatibilitet (EMC) 2014/30,

**og følgende harmoniserte standarder og tekniske spesifikasjoner er anvendt:**

EN 12151:2007

EN 60204-1: 2006+A1:2009

EN 55014-1: 2006/A1:2009/+A2:2011

EN 55014-2: 2015

EN 61000-3-2:2014

EN 61000-3-3:2013

Helsinki, Finland, 11, 2018

**Kesko Corporation Group Companies,**

## TUTVUGE UUE SEGUMASINA

Lugege kasutusjuhend ja seguril olevad sildid hoolikalt ja mõttega läbi. Tutvuge segumasina kasutamisevõimaluste ja -piirangutega ning segumasinal iseloomulike ohtudega.

Enne seguriga tööleasumist tutvuge juhtimisseadistega.

## OLGE TÄHELEPANELIK

Ärge käitage segumasinat, kui olete uimastite, alkoholi või mingi sellise ravimi mõju all, mis võib halvendada teie töövõimet.

Ärge kasutage segumasinat siis, kui olete väsinud või teie tähelepanu on hajunud. Olge kogu aeg mõttega oma tegevuse juures. Kasutage tervet mõistust.

## VÄLTIGE OHTLIKKE OLUKORDI

Tagage piisav tööruum.

Tagage töökohas puhtus ja hea valgustus. Korratu ümbrus on vigastuste tekkimiseks soodus pinnas. Hoidke segumasina ümbrus vaba kõrvalistest esemetest, määrdeainetest, õlist, rämpsust ja muust risust, mis võib põhjustada inimeste kukkumist vastu liikuvaid osi.

Kasutage segumasinat või töötage sellega üksnes siis, kui segumasin asub tugeval, siledal ja lamedal pinnal, mille kandevõime on piisav segumasina ning selle sisu kandmiseks ja segumasina ümberkukkumise vältimiseks.

Ärge kunagi teisaldage segumasinat täidetud olekus ega siis, kui segumasin töötab.

Segumasin on ette nähtud betooni, mördi ja krohvisegu valmistamiseks. Segumasin ei sobi tule- ega plahvatusohtlike ainete segamiseks. Ärge kasutage segumasinat piirkondades, kus esineb värvide, lahustite või tuleohtlike vedelike aare, mis on võimalike ohtude allikaks.

## SEGUMASINA ÜLEVAATUS

Enne segumasina käivitamist veenduge, et see oleks korras. Hoidke kaitsepiirded töökorras ja oma kohal. Ärge kasutage segumasinat avatud mootorikattega. Katsetage enne igakordset kasutamist kõikide poltide, mutrite ja kruvide kinnitust, eelkõige kaitsepiirete ning ajamehhanismide juures. Segamisel esinev vibratsioon võib põhjustada kinnitite lõdvenemist.

Kujundage endal harjumuseks jälgida, et kõik seadistamiseks kasutatavad vahendid, kühvliid, käsikellud ja muud abivahendid oleksid enne segumasina sisselülitamist sellelt eemaldatud.

Asendage kõik kahjustatud, puuduolevad või katkised osad enne segumasina kasutamist. Hoiatussiltidel on toodud tähtis teave. Kõik puuduvad või vigastatud hoiatussildid tuleb kohe asendada.



### KANDKE SOBIVAT RÕIVASTUST

Ärge kandke avaraid rõivaid, kindaid, lipsu ega ehteid (sõrmuseid, käekella). Liikuvad osad võivad need kaasa haarata. Soovitav on töö ajal kanda elektrit mittejuhtivast materjalist kindaid ja libisemiskindlaid jalanõusid. Pikkade juuste kaitsmiseks kasutage juuksevärku, mis väldib juuste kaasahaaramist masinasse. Kui tööoperatsioon on seotud tolmu eraldumisega, siis kandke näo- või tolumumaski. Kandke alati kaitseprille ja/või näokaitset. Tavalistel prillidel on üksnes purunemiskindlad klaasid. Need ei ole kaitseprillid.

### ÄRGE RIKKUGE KAABLIT

Ärge kunagi vedage segumasinat kaablist ega tõmmake juhtmest pistikut pistikupesast välja.

Kaitske kaablit kokkupuute eest kõrge temperatuuri, õli ja teravate servadega.

### PIKENDUSKAABLID

Pikenduskaabli pikkus ei tohi ületada 50 meetrit. Mootori toitevoolu nõutava väärtuse tagamiseks peab soone ristlõige olema 230 V korral vähemalt 1,5 mm<sup>2</sup>. Pikenduskaabli väär kasutamine võib põhjustada segumasina ebaefektiivset tööd, mille tagajärjeks on mootori ülekuumenemine ja kahjustused.

Kasutada võib üksnes välistöödeks ette nähtud pikenduskaablit spetsifikatsiooniga H07RN-F. Vältige isoleerimata või puudulikult isoleeritud ühenduskohti. Ühenduskohad peavad olema kaetud välistingimustes kasutamiseks sobivate kaitsematerjalidega. Tagage, et kõik pikenduskaabli ühendused oleksid kuivad ja ohutud. Tagage, et pikenduskaabel paikneks eemal vedelikest, teravatest servadest ja sõidukite liikumisteedest. Vältige pikenduskaabli sattumist segumasina alla. Rullige pikenduskaabel täies ulatuses lahti, vastasel juhul võib see üle kuumeneda ja süttida.

### VÄLTIGE ELEKTRILÖÖKI

Tagage, et elektriskeem oleks sobivalt kaitstud ning vastaks mootori tarbitava võimsuse, pinge ja sageduse nõuetele.

Ärge ühendage mootorit vooluvõrku ega lahutage seda vooluvõrgust siis, kui seisate niiskel või märjal pinnasel. Ärge kasutage segumasinat märgades ega niisketes piirkondades või vihma ajal.

Vältige keha kokkupuudet maandatud pindadega, nagu torud, radiaatorid, elektripliidid ja külmkapid.

Jälgige, et teie sõrmed ei puudutaks segumasinat vooluvõrku ühendamisel või sealt lahtiühendamisel pistiku metallharusid.

### HOIDKE KÕRVALISED ISIKUD JA LAPSED SEGURIST EEMAL

Välistage kõrvaliste isikute juurdepääs segumasinale.

Ärge lubage lastel puudutada segumasinat ega sellele ronida.



## ÄRGE KUUNITAGE ÜLE MASINA

Segumasina täitmisel ja tühjendamisel seiske kindlal pinnal ja säilitage tasakaal.

Ärge kunagi seiske segumasinal. Segumasina kaldumisel või juhuslikul kokkupuutel selle liikuvate osadega võite saada raskeid vigastusi. Ärge hoidke segumasina kohal ega selle läheduses mingeid esemeid, mille haaramiseks keegi võib tahta segumasinalle astuda.

## VÄLTIGE JUHUSLIKKE VIGASTUSI

Hoidke käed eemal kõikidest liikuvatest osadest. Ärge pistke ühtki kehaosa ega mis tahes tööriista, näiteks kühvlit, töötava segumasina trumliisse. Ärge pange töötava segumasina korral kätt raami ja tugihoova või trumli ja tugihoova vahelisse ruumi.

## VÄLTIGE ÜLEKOORMUST

Ettenähtud koormusega töötamine on parem ja ohutum. Töötage alati nimimahtuvuse piirides.

Ärge käivitage mootorit, kui trummel on täiesti täis. Ärge lülitage segumasinat välja, kui see on betooniga täidetud.

Ärge kasutage segumasinat selleks mitte ette nähtud otstarbel.

Segumasinat ei tohi mingi veokiga pukseerida.

## ÄRGE KUNAGI JÄTKE TÖÖTAVAT SEGUMASINAT JÄRELEVALVETA.

Ärge lahkuge segumasina juurest enne, kui see on täielikult peatunud.

## LAHUTAGE TOITEALLIKAST

Ärge kunagi avage mootori katet enne, kui olete segumasina vooluvõrgust lahti ühendanud. Ühendage segumasin vooluvõrgust lahti siis, kui te seda ei kasuta, samuti enne segumasina teistsaldamist, seadistamist, osade vahetamist, puhastamist või remontimist. Enne hooldustööde tegemist tutvuge kasutusjuhendiga.

## HOIDKE SEGUMASINAT KORRALIKULT

Puhastage segumasin kohe pärast kasutamist. Segumasina hoidmine puhtana tagab parima ja kindlaima talitluse.

Segumasina hooldamisel kasutage üksnes tootja tarnitud varuosi.

## SÄÄSTKE KESKKONDA


Viige materjalide ülejäägid selleks ettenähtud kogumispunkti või järgige segumasina kasutusriigis kehtivaid nõudeid. Ärge tühjendage jääke kanalisatsiooni, maapinnale ega vette.

## HOIUSTAGE KASUTUSETA SEADMED

Kui segumasinat ei kasutata, siis tuleb seda hoida kuivas, roostetamise eest kaitstud kohas. Hoidke segumasinat kohas, kus on välistatud laste ja teiste kõrvaliste isikute juurdepääs.



Segumasin on II klassi kaitsenõuete kohaselt kahekordse isolatsiooniga ja vastab kaitseastmele IP44D. Isolatsioon toimib tõhusalt üksnes siis, kui remonttöödel kasutatakse isoleerimiseks vajalikke originaal detaile ja peetakse kinni originaalisolatsiooni vahekaugustest.

Kahekordne isolatsioon  ei nõua kolmesoonelise maandatud toitekaabli ja maandatud elektrisüsteemi kasutamist. Kahekordse isolatsiooniga tööriistade puhul võib kasutada nii kahe- kui ka kolmesoonelist pikenduskaablit.



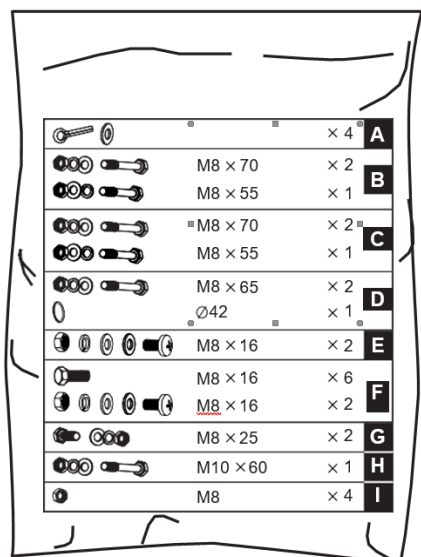
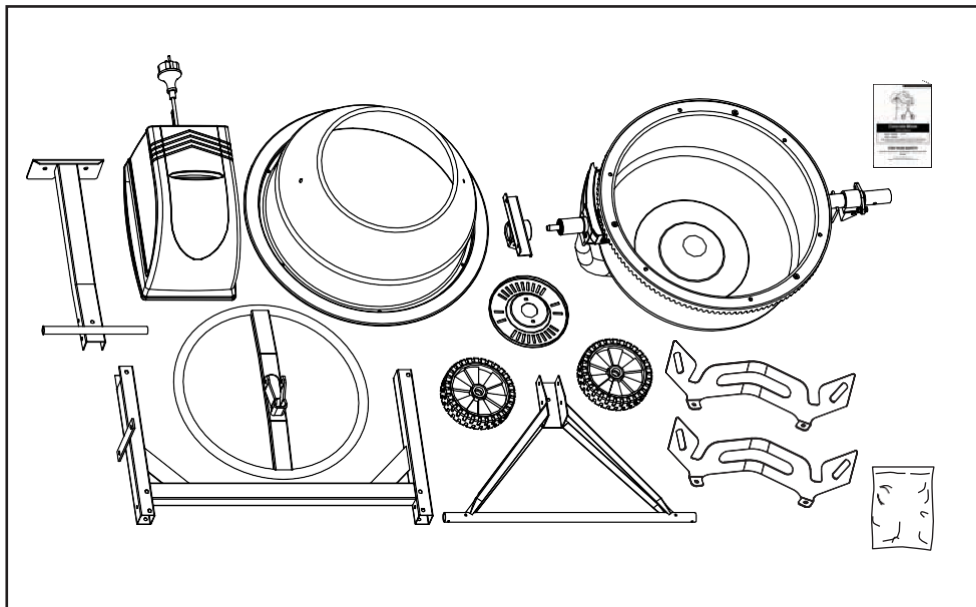
Ärge ühendage kumbagi soont maandusklemmiga.

Soovitav on 230 V pingega jaoks mõeldud rikkevoolukaitse („RCD“) (maalekkevoolu lahutamine). Pikenduskaabli kasutamisel ühendage see vahetult RCD-ga.

Šveitsis kasutamisel võib segumasinat ühendada üksnes rikkevoolulülitiga pistikupesadesse.

<b>Mudeli number</b>	<b>HCM450</b>	
<b>Mootor</b>	550 W, S6, 30%	
<b>Trumli maht</b>	125 liitrit	
<b>Trumli avaus</b>	380 mm	
<b>Trumli pöörlemissagedus</b>	26,6 min <sup>-1</sup>	
<b>Üldmõõtmed</b>	<b>P</b>	1200 mm
	<b>L</b>	710 mm
	<b>K</b>	1400 mm
<b>Mass</b>	51 kg	

## TARNEKONTEINERI SISU

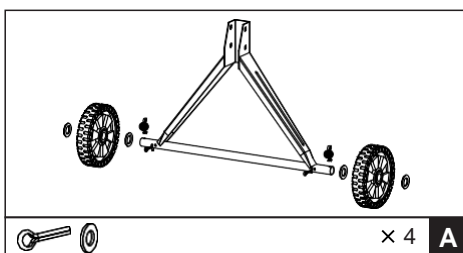


## KOKKUPANEKU JUHISED

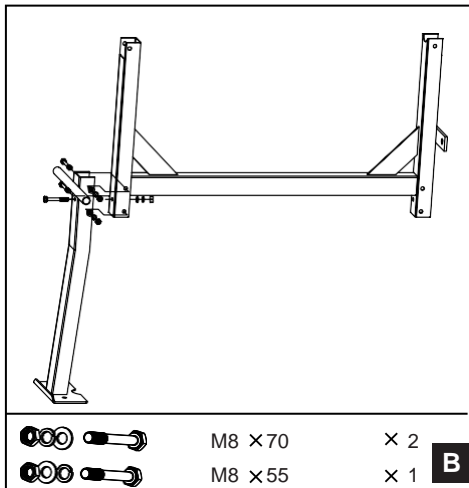


Kokku on soovitatav panna kahe inimesega.

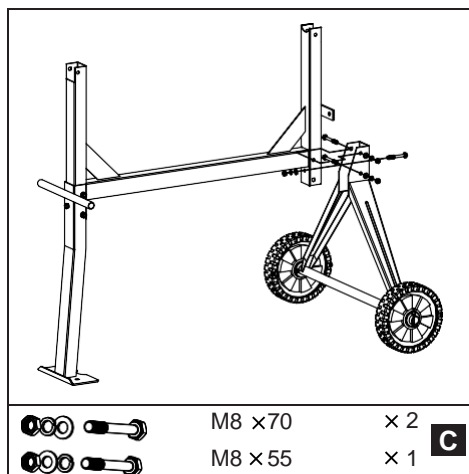
### JALAND



3. Kui olete veermiku kummagi telje seespoolsesse auku paigutanud lõhise, siis pange kohale lameseib, seejärel ratas ning veel üks lameseib. Pange teljel olevatesse aukudesse iga lameseibi välisküljele veel üks lõhis. Painutage lõhise harud laiali, välistades nii nende väljakukkumise.

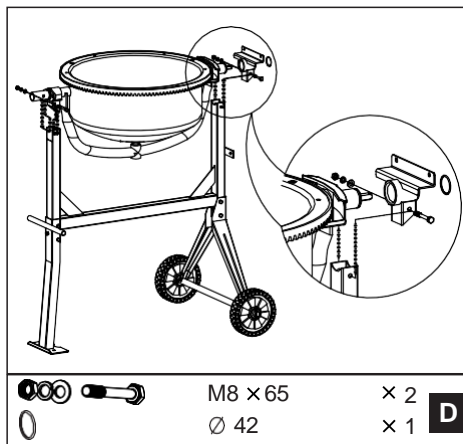


4. Keerake raam külje peale ja asetage kohale tugijalg, nagu on näidatud. Pistke läbi ühel küljel olevate avade kaks M8x70 kuuskantpeapolti, seejärel pange teiselt poolt poldide lameseibid, lukustusseibid ja mutrid. Keerake M8x55 kuuskantpeapolt koos lukustus- ja lameseibiga raamil olevasse mutrisesse. Keerake kõik kõvasti kinni.



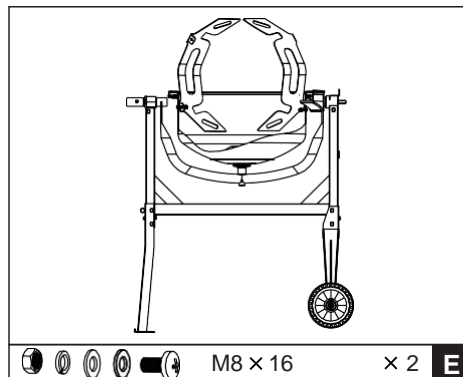
5. Keerake raam ümber ja kinnitage samal viisil ka teljekonsool koos ratastega.  
6. Proovige, kas kõik poldid ja mutrid on kõvasti kinnitatud.

## TRUMLI ALUMINE OSA



4. Libistage laagriplokk völliile. Lukustage see Ø 42 vedurõrngaga.  
5. Paigaldage ettevaatlikult ja kahekesi trumli alumine osa koos tugilaga raami külgtugedele, et laagriplokkid libiseksid külgtugedel olevatesse kanalitesse, nagu on joonisel näidatud. Suurema läbimõõduga völli peab paiknema toendi jalapoolses otsas.  
6. Joondage kummalgi küljel külgtugedes olevad avad laagriplokkides olevate avadega ja pistke ühelt poolt sisse M8x65 kuuskantpeapolt, seejärel pange teiselt poolt poldile lameseib, lukustusseib ja mutter. Keerake kõik mutrivõtmega kinni.

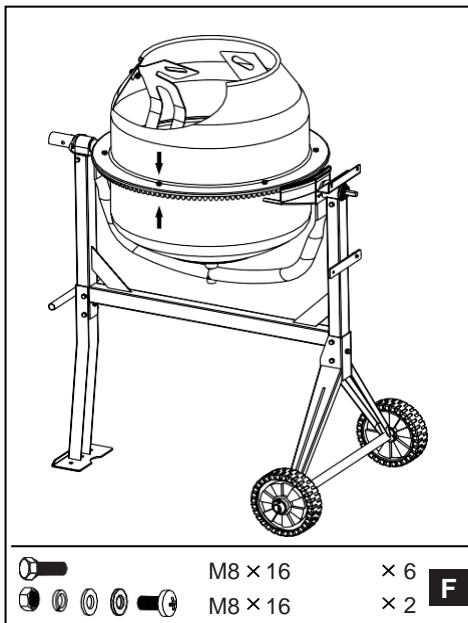
## SEGAMISLABAD



Paigaldage trumli alumisse ossa lahtiselt segamislabad, nagu on joonisel näidatud. Trumli põhjas on kaks ava, kuhu saab väljastpoolt pista M8x16 poldi. Seestpoolt tuleb poldile paigaldada nahkseib, lameseib, lukustusseib ja mutter ning keerata mutter lõdvalt kinni. Nahkseib peab paiknema trumli suhtes laba all.

**MÄRKUS.** Trumli ülemisel ja alumisel osal on kaks noolt, mis määravad nende osade omavahelise asendi. Kui teil on raskusi segamislabade paigaldamisega õigesse asendisse, siis võite kokkupaneku hõlbustamiseks paigaldada ajutiselt trumli ülemise osa trumli alumisele osale, pöörates seda nii, et nooled langevad kokku.

## TRUMLI ÜLEMINE OSA



1. Paigaldage trumli ülemine osa ääriku kohale nii, et paigaldusavad ja märgistusnooled langevad kokku.

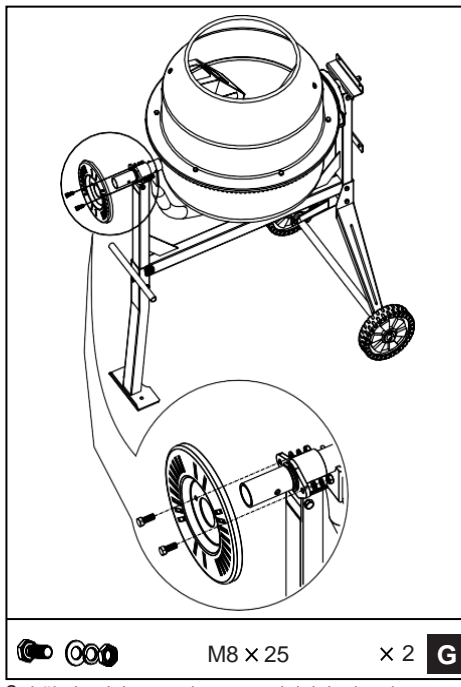
6. Keerake M8x16 kuuskantpeapolt koos lukustus- ja lameseibiga igasse hammasvöös olevasse keerrestatud avasse. Keerake poldid üksteise järel järk-järgult kinni.

7. Kinnitage segamislabad ülemise trumli külge, pistes selleks kaks M8x16 ristpeakruvi väljastpoolt läbi trumli olevate avade.

8. Nahkseib peab paiknema seespool trumli ja laba vahel. Kinnitage segamislabade seespoolt lameseibi, vedruseibi ja mutri abil.

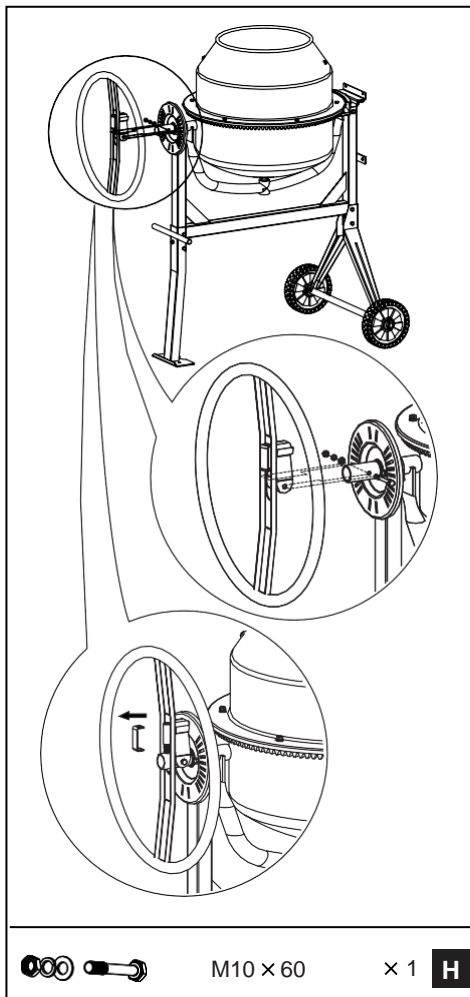
9. Lõpuks proovige, kas ülemine ja alumine segamislabade on tugevasti kinnitatud.

## KALLUTUSRATAS



3. Lükake lukustusplaat raami jalal olevale suure läbimõõduga võllile, nii et hammasvöö on suunatud sissepoole, nagu on joonisel näidatud. Kinnitage see kahe M8x25 poldiga, kasutades mõlema korral mutrit, lukustus- ja lameseibi.

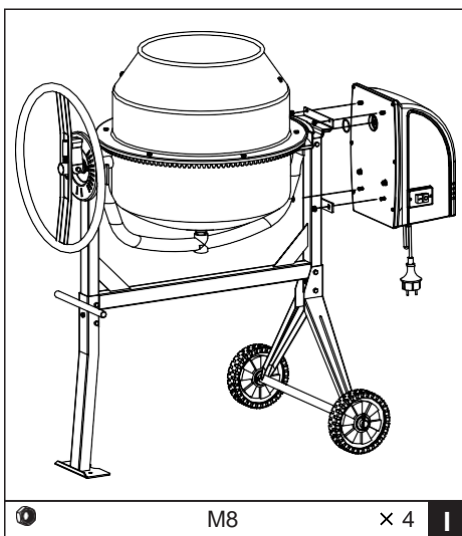




4. Vedru kinnitatakse hoidikusse paigaldamise hõlbustamiseks U-kujulise plaadi abil. Lükake ratas suure läbimõõduga võlliile, kuni klambris olevad avad ühtivad puuritud avaga. Pange kohale M10x60 kuuskantpeapolt ning keerake see teiselt poolt kinni mutri, lame- ja lukustusseibi abil. Keerake mutter klambri külge tugevasti kinni, kuid mitte nii tugevasti, et see välistaks ratta pöörämist poldi ümber. Vabastage vedru, võttes selleks ära U-kujulise plaadi.

**MÄRKUS.** Ratas peab olema võimalik pöörata ümber poldi nii, et klambriil olevad kõrvad satuksid lukustusplaadil olevatesse soontesse ja saaksid neist välja tulla.

## ÜLEKANDEMEHHANISMI KARTER



Rihtige liistusooned ühele joonele ja lükake ülekandemehhanismi karter väikese hammasratta võlliile. Kinnitage karter raamile nelja M8 mutriga.

## KÄITUSJUHISEDTRUMLI

### KALLUTAMINE

Vedruga koormatud kallutusratas koos lukustuskõrvadega tagab trumli asendi lihtsa reguleerimise, trumlit saab lukustada segamis-, tühjendus- ja hoidmisesendis.

Trummel lukustatakse vastavas asendis isefikseeruvall kallutusrattal olevate kõrvade abil, mis haarduvad segumasina raamil oleva lukustusplaadiga. Trumli kallutamiseks tõmmake kallutusrattast lukustuskõrvadest vabastamiseks tagasi. Seejärel on võimalik kallutusrattast ja trumlit pöörata samas suunas.

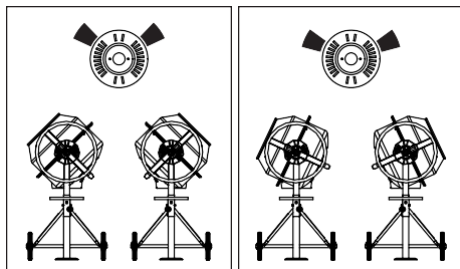
Trumli lukustamiseks nõutavas asendis viige kõrvad ja sooned kohakuti ning vabastage kallutusrattast, hoides trumlit samal ajal kinni.

Pöörake kallutusrattast seni, kuni lukustuskõrvad haakuvad segumasina raamil oleva lukustusplaadiga.

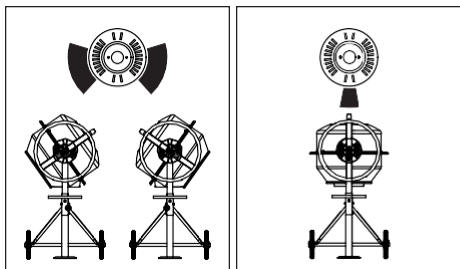
### Täitmis-/segamisasend

Mördi korral

Betooni korral



### Tühjendusasend Hoidmisasend



### LAADIMINE



Kerige pikenduskaabel täielikult lahti. Ühendage kaabel toiteallikaga ja seejärel betooni segumasinaga.



Segumasin tuleb enne trumli laadimist alati käivitada. Trumli laadimine trumli pöörlemise ajal.



Ärge visake materjali trumlisse, sellega väldite materjali kleepumist trumli põhja külge. Materjal tuleb alati üle serva sisse puistata.

MÄRKU  
S.

Mootoris on sisseehitatud termokaitse, mis takistab mootori ülekuumenemist. Termokaitse lähtestub pärast mootori jahtumist automaatselt.

Parimate tulemuste saamiseks toimige järgmiselt.

1. Pange trumlisse nõutav kogus kruusa.
2. Lisage trumlisse nõutav kogus tsementi.
3. Lisage trumlisse nõutav kogus liiva.
4. Valage trumlisse nõutav kogus vett.

### TÜHJENDAMINE



Ärge lülitage segumasinat välja siis, kui see on täielikult täidetud. Trummel tuleb tühjendada pöörlemise ajal.

### PUHASTAMINE



Ärge kunagi pange käsi pöörlevasse trumlisse.

Puhastage trummel hoolikalt iga päev pärast töö lõpetamist. Hoidke segumasin puhas. Trumlisse jäänud ka kõige väiksemad materjalikogused kõvastuvad ja sinna kleepub igakordsel kasutamisel järjest enam materjali, kuni masin muutub lõpuks kasutuskõlbmatuks. Kuivanud tsemendisegu tuleb trumlist välja kraapida. Ärge visake puhastamiseks trumlisse telliseid. Ärge lööge kuivanud tsemendisegu eemaldamiseks trumlit kühvli, haamri ega muude töövahenditega, segumasin võib saada kahjustada. Trumlit võib puhastada ligikaudu 2 minuti jooksul, uhades seda 1" (2,54 cm) kruusa ja vee seguga. Seejärel tühjendage trummel kruusa ja vee segust ning loputage trummel voolikust tuleva veega seest ja väljast üle. Segumasina kaitseaste IP44D võimaldab trumlit voolikuveega ohutult loputada.

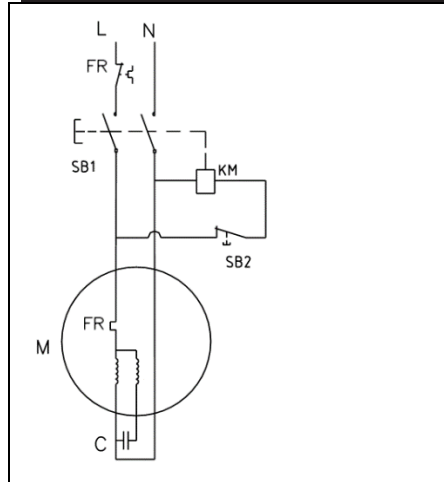


Ärge valage vett ega pihustage seda otse mootori korpusele, eelkõige selles olevatele avadele.



Pühkige mootori kate puhtaks kõikidest sellele sattunud materjalidest. Ärge kasutage bensiini, tärpentini, laki- ja värvivedelidit, kuivpuhustusvedelikke ega muid sellelaadseid tooteid. Kemikaalide või lahustite kasutamine võib mõjutada kõrgtihedast polüetüleenist (PET) valmistatud katte omadusi.

## ELEKTRISKEEM



## HOOLDUSJUHISED



Tagage enne mootori kate eemaldamist, et pikenduskaabel oleks pistikupesast eraldatud.

Veorihm on tänu vedruga koormatud pingutusrattakesele pidevalt ühtlaselt pingul. Ei ole vaja teha muid hooldustöid kui üksnes määrada töövõlli.

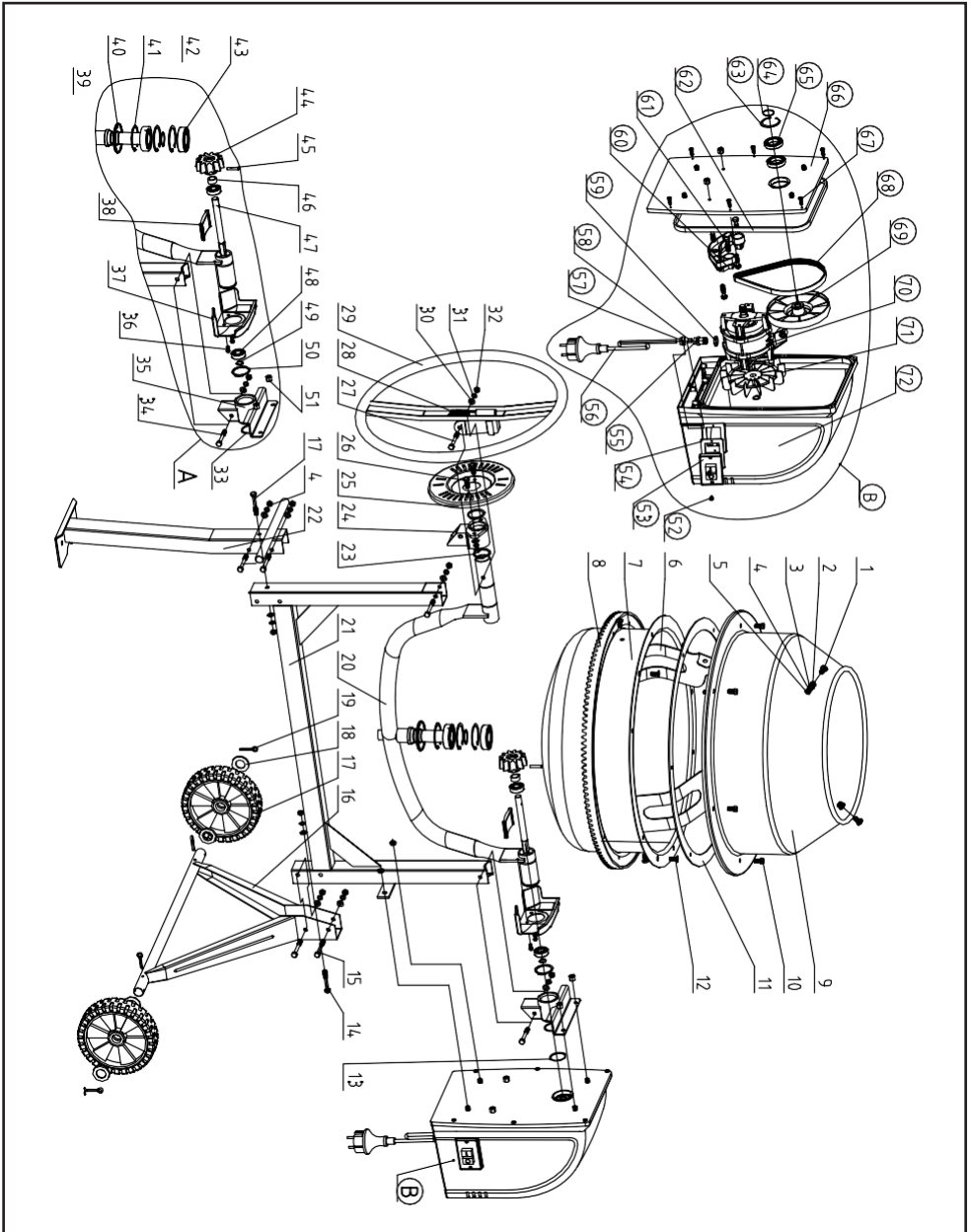
Laagrid on hooldusvabad.



Juhendis toodud elektriskeem ja osade skemaatiline paigutus on üksnes võrdlusmaterjal. Tootja ega tarnija ei anna ostjale mingit alust ega garantiid arvata, et ostjal on piisav kvalifikatsioon betooniseguri remontimiseks või et ostja kvalifikatsioon võimaldaks seguri ükskõik millise osa asendamist. Segumasinat tohivad remontida üksnes kvalifitseeritud spetsialistid. Segumasina ükskõik millist elektrilist osa tohivad hooldada ja remontida üksnes kvalifitseeritud elektrikud.



Vooluringis olevaid osi tohivad paigaldada üksnes kvalifitseeritud elektrikud.



# EL-i vastavusdeklaratsioon

Meie,

Kesko Corporation Group Companies,

address: Satamakatu 3, FI-00160, Helsinki, Soome,

telefon +358 105 3032, faks +358 9857 4783,

teatame oma ainuvastutusel, et järgnev toode

Seade: Segumasin

Toote nimi: FXA

Mudel/tüüp: 502039977/HCM450

**on kooskõlas järgmiste direktiividega:**

masinadirektiiv (MD) 2006/42/EÜ,

elektromagnetilise ühilduvuse direktiiv (EMC) 2014/30/EÜ

**ning on kontrollitud selle vastavust järgnevatele ühtlustatud standarditele ja tehnilistele spetsifikatsioonidele:**

EN 12151:2007

EN 60204-1: 2006+A1:2009

EN 55014-1: 2006/A1:2009/+A2:2011

EN 55014-2: 2015

EN 61000-3-2:2014

EN 61000-3-3:2013

Helsinki, Soome, 11.2018

**Kesko Corporation Group Companies**

**IZPROTIET BETONA MAISĪTĀJA FUNKCIJAS**

Izlasiet un pārliecinieties, ka saprotat lietotāja rokasgrāmatā iekļauto informāciju un maisītājam pievienoto marķējumu. Uzziniet par šīs ierīces pielietojumu un ierobežojumiem, kā arī ar tās izmantošanu saistītām iespējamām briesmām.

Pirms maisītāja izmantošanas iepazīstieties ar tā vadības ierīcēm.

**ESIET MODRS**

Nedarbiniet maisītāju narkotisko vielu, alkohola vai tādu ārstniecības līdzekļu ietekmē, kuri varētu ietekmēt jūsu spējas pienācīgi izmantot ierīci.

Neizmantojiet šo maisītāju, ja esat noguris vai nespējat koncentrēties uz veicamo darbu. Veicot darbu, vienmēr esiet uzmanīgs! Rīkojieties saprātīgi.

**IZVAIRIETIES NO BĪSTAMIEM APSTĀKĻIEM**

Pārliecinieties, ka apkārt ierīcei ir pietiekami daudz vietas.

Gādājiet, lai darba zona būtu tīra un labi apgaismota. Nekārtīgās vietās var viegli gūt ievainojumus. Raugieties, lai zonā ap maisītāju nebūtu šķēršļu, tauku, eļļu, atkritumu un citu netīrumu, kuru dēļ citas personas varētu uzkrīst ierīces kustīgajām detaļām.

Lai novērstu maisītāja apgāšanos, izmantojiet vai darbiniet maisītāju tikai tad, ja tas atrodas uz cietas, plakanas un līdzenas virsmas, kura spēj noturēt maisītāja svaru un kravu.

Nemēģiniet pārvietot maisītāju, ja tas ir pilns un/vai darbojas.

Maisītājs ir paredzēts betona, javas un apmetuma sagatavošanai. Tas nav piemērots viegli uzliesmojošu un sprāgstošu vielu maisīšanai. Neizmantojiet ierīci vietās, kur iespējamās briesmas rada krāsu, šķīdinātāju tvaiki vai viegli uzliesmojoši šķidrumi.

**PĀRBAUDIET MAISĪTĀJU**

Pirms ieslēgšanas pārbaudiet maisītāju. Raugieties, lai aizsargi būtu vietā un darba kārtībā. Nepieslēdziet maisītāju elektropadevei, ja tā motora pārsegs ir noņemts. Pirms katras lietošanas reizes pārbaudiet, vai visas bultskrūves, uznavas un skrūves ir cieši pievilktas, tīrību uzmanību pievērsiet tām skrūvēm, ar kurām nostiprināti aizsargi un elektropiedziņas mehānismi. Vibrāciju dēļ, kuras rodas maisīšanas laikā, tās var atskrūvēties.

Izveidojiet ieradumu pārbaudīt, vai pirms maisītāja ieslēgšanas visi pielāgošanas instrumenti, lāpstas, ķelles un citi instrumenti/aprikojums neatrodas tā zonā.

Pirms ierīces izmantošanas nomainiet bojātās, pazudušās vai iztrūkstošās detaļas. Brīdinājuma marķējumā tiek sniegta svarīga informācija. Nomainiet visus pazudušos vai bojātos brīdinājuma marķējumus.



## ĢERBIETIES ATBILSTOŠI

Nenēsājiet pārāk brīvu apģērbu, cimdus, kaklasaites vai rotaslietas (gredzenus, rokaspušķsteņus). Tās var iesprūst kustīgajās daļās. Darba laikā ieteicams izmantot elektrību nevadošus aizsargcimdus un neslīdošus apavus. Nēsājiet arī aizsargājošu galvassegu, lai nepieļautu, ka gari mati iesprūst instrumentā. Ja darbs ir puteklains, izmantojiet arī sejas vai putekļu aizsargmasku. Vienmēr nēsājiet aizsargbrilles un/vai sejas aizsargus. Brilles, kuras nēsājat ikdienā, ir aprīkotas tikai ar triecienuizturīgām lēcām. Tās nav aizsargbrilles.

## APEJIETIES AR KABEĻI SAUDZĪGI

Nekad nevelciet maisītāju, turot to aiz kabeļa, un neraujiet to, lai atvienotu no kontaktligzdas.

Sargājiet kabeļus no karstuma, eļļas un asiņu priekšmetiem.

## PAGARINĀTĀJAUKLAS

Pagarinātājauklas nedrīkst būt garākas par 50 metriem. Kabeļa griezumam pie 230 V ir jābūt 1,5 mm<sup>2</sup>, lai strāvas plūsma uz motoru būtu pietiekama. Nepareizas pagarinātājauklu izmantošanas dēļ maisītāja darbība var būt neefektīva un izraisīt pārkaršanu vai motora bojājumus. Atļauts izmantot tikai tādas pagarinātājauklas, kas atbilst H07RN-F specifikācijām un ir paredzētas izmantošanai ārpus telpām. Izvairieties no brīvu un nepietiekami izolētu savienojumu izmantošanas. Savienojumi jāveido, izmantojot aizsargātu materiālu, kas piemērots izmantošanai ārpus telpām. Pārlicinieties, ka visi pagarinātājauklu savienojumi ir sausi un droši. Raugieties, lai pagarinātājaukla būtu izvietota uzmanīgi, izvairoties no šķīdriem, asiņu stūriem un vietām, kurās pāri tai varētu pārvietoties transportlīdzekļi. Raugieties, lai pagarinātājaukla neiesprūst zem maisītāja. Pilnībā izritiniet to, citādi tā pārkaršīs un var aizdegties.

## IZVAIRIETIES NO ELEKTRISKĀS STRĀVAS TRIECIENIEM

Pārbaudiet, vai elektriskā ķēde ir pienācīgi izolēta un ir piemērota jaudai, spriegumam un motora frekvencei.

Neieslēdziet un neizslēdziet motoru, ja ierīce atrodas uz vai netālu no mitras vai slapjas virsmas. Neizmantojiet maisītāju slapjās vai mitrās vietās un nepakļaujiet to lietus iedarbībai.

Izvairieties no korpusa saskaršanās ar iezemētām virsmām: caurulēm, radiatoriem, plīti un ledusskapju kamerām.

Pārlicinieties, ka jūsu pirksti, iespraužot vai izņemot kontaktdakšu, nepieskaras kontaktdakšas metāla zariem.

## NODROŠINIET, LAI NEPIEDEROŠAS PERSONAS UN BĒRNI ATRASTOS DROŠĀ ATTĀLUMĀ

Raugieties, lai nepiederošas personas atrastos drošā attālumā no maisītāja. Neļaujiet bērniem izmantot maisītāju, kāpt tam virsū vai iekšā trumulī.



**NESNIEDZIETIES PĀRI MAISĪTĀJAM!**

Vienmēr ievērojiet stabilu stāju un turiet līdzsvaru, veicot maisītāja iekraušanas un izkraušanas darbus.

Nekad nestāviet uz maisītāja. Var gūt smagus ievainojumus, ja maisītājs sasveras vai tā kustīgās daļas netišām saskaras. Neuzglabājiet nekādus priekšmetus virs maisītāja vai tā tuvumā, lai nevienam nerastos nepieciešamība pakāpties uz maisītāja un tos aizsniegt.

**IZVAIRIETIES NO NEGAIDĪTU NEGADĪJUMU RADĪTIEM IEVAINOJUMIEM**

Turiet rokas drošā attālumā no ierīces kustīgajām daļām. Trumuļa darbības laikā neievietojiet tajā ķermeņa daļas vai tādus instrumentus kā, piemēram, lāpsta. Strādājot nenovietojiet rokas zonā starp statīvu un balstu vai trumuli un balstu.

**NESPIEDIET IERĪCI DARBOTIES**

Tā strādās daudz efektīvāk un drošāk ražotāja noteiktajos apstākļos. Strādājot vienmēr ievērojiet nominālo jaudu.

Neieslēdziet motoru, ja trumulis ir pilns. Neizslēdziet maisītāju, ja tas ir pilns ar betonu.

Neizmantojiet maisītāju neparedzētiem nolūkiem.

Aizliegts vilkt maisītāju ar jebkāda mehāniskā transportlīdzekļa palīdzību.

**NEKAD NEATSTĀJIET STRĀDĀJOŠU MAISĪTĀJU BEZ UZRAUDZĪBAS!**

Neatstājiet maisītāju bez uzraudzības, ja tas nav pilnībā apstājies.

**ATVIENOJIET IERĪCI NO ELEKTROAPGĀDES!**

Nekad neatveriet motora pārsegu, ja maisītājs nav atvienots no kontaktligzdas. Atvienojiet ierīci no elektroapgādes, ja tā netiek izmantota, kā arī pirms tās pārvietošanas, pielāgošanas, detaļu nomaiņas, tīrīšanas vai remontdarbiem. Pirms tehniskās apkopes izlasiet tehnisko instrukciju.

**RŪPĒJIETIES PAR SAVU MAISĪTĀJU!**

Pēc izmantošanas nekavējoties iztīriet maisītāju. Lai maisītāja darbība būtu efektīva un droša, rūpējieties par tā tīrību.

Šā maisītāja tehniskajā apkopē atļauts izmantot tikai oriģinālās ražotāja rezerves daļas.

**AIZSARGĀJIET VIDĪ!**

Pārpalikušos materiālus nododiet apstiprinātā savākšanas vietā vai rīkojieties atbilstoši tās valsts noteikumiem, kurā šis maisītājs ir izmantots. Neizlejiet tos kanalizācijā, neapglabājiet augsnē vai ūdenī.


**NOGLABĀJIET APRĪKOJUMU, KAS NETIEK LIETOTS!**

Ja maisītājs netiek lietots, tas ir jāuzglabā sausā vietā, lai mazinātu rūsas iespējamību. Glabājiet maisītāju bērniem un citām nekvalificētām personām nepieejamā vietā.





Šim maisītājam ir dubulta izolācija, kas atbilst II aizsardzības klasei un IP44D standartam. Izolācija darbosies tikai tad, ja remontdarbiem tiks izmantotas oriģinālās izolējošās detaļas un tiks saglabātas atstarpes starp oriģinālo izolāciju.

Dubultās izolācijas  dēļ nav nepieciešams iezemētis trīs vadu elektrības kabelis un iezemēta elektroapgādes sistēma. Instrumentos ar dubultu izolāciju var izmantot vai nu divu, vai trīs vadu pagarinātājauklas.



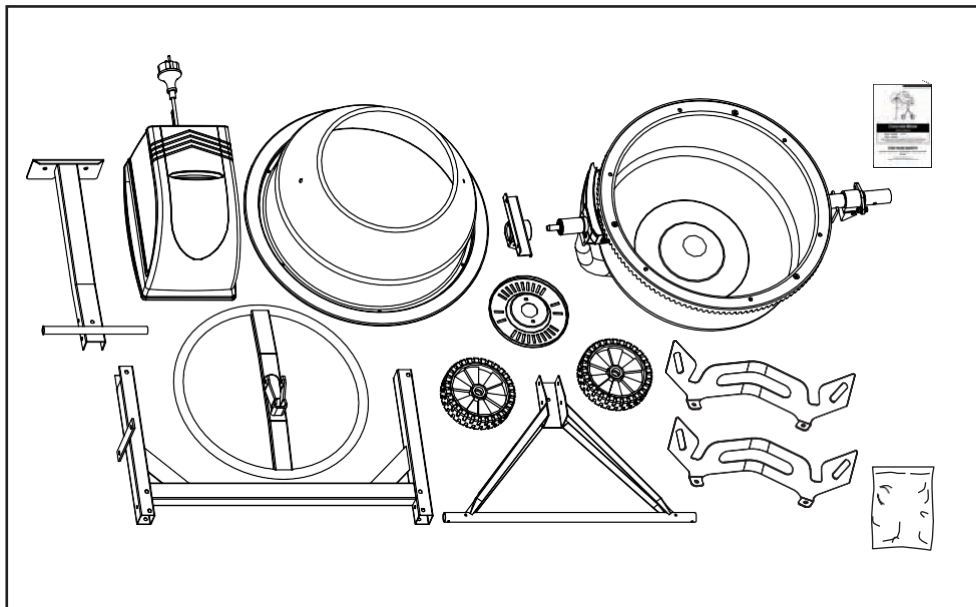
Nesavienojiet nevienu no dzīslām ar zemējuma tapu.

Ierīcēs ar 230 V spriegumu ieteicams izmantot paliekošās strāvas iekārtas (RCD) jeb noplūdstrāvas aizsargslēdzus. Ja izmantojat pagarinātājauklu, iespraudiet to tieši paliekošās strāvas iekārtā.

Darbinot ierīci Šveicē, iespraudiet maisītāju tikai kontaktligzdās, kuras ir aizsargātas ar bojājumstrāvas aizsargslēdzi.

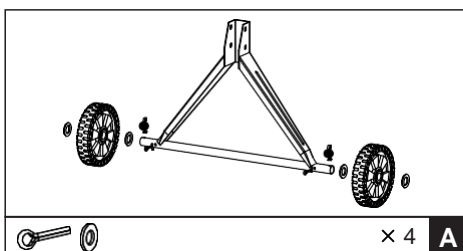
<b>Modeļa numurs</b>	<b>HCM450</b>	
<b>Motors</b>	550 W S6 30 %	
<b>Trumuļa ietilpība</b>	125 l	
<b>Trumuļa atvere</b>	380 mm	
<b>Trumuļa ātrums</b>	26,6 /min	
<b>Vispārīgi izmēri</b>	<b>Garums</b>	1200 mm
	<b>Platums</b>	710 mm
	<b>Augstums</b>	1400 mm
<b>Svars</b>	51 kg	

## PIEGĀDĀTĀ IEPAKOJUMA SATURS



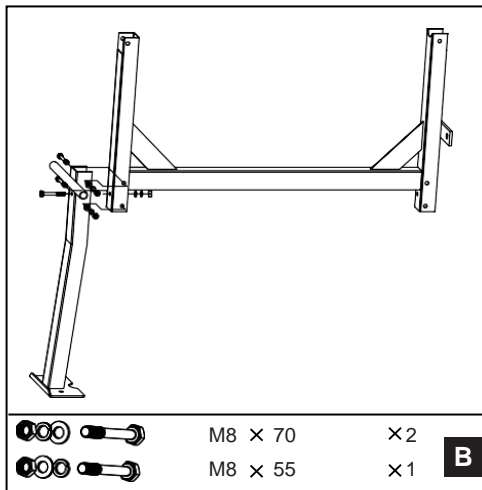
## MONTĀŽAS INSTRUKCIJA

Montāžā ieteicams piedalīties divām personām.

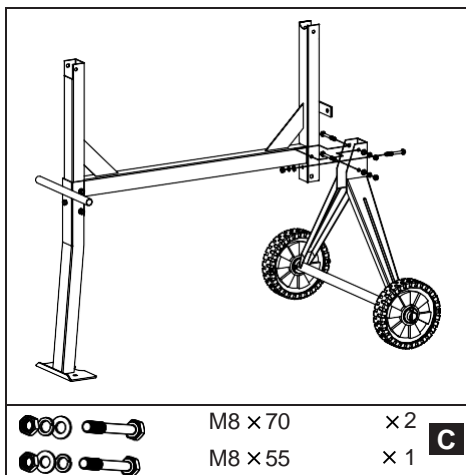


- Kad katra pusass šarnīra iekšējā atverē ir ievietota atlokāmā šķelttapa, ievietojiet plakano starpliku, pēc tam riteni un vēl vienu plakano starpliku. Ievietojiet vēl vienu atlokāmo šķelttapu katras plakanās starplikas ārpusē esošajās šarnīra atverēs. Atlokiet katras tapas pusi augšup tā, lai tās neizkrīt.

		x 4	<b>A</b>
	M8 x 70	x 2	<b>B</b>
	M8 x 55	x 1	<b>B</b>
	M8 x 70	x 2	<b>C</b>
	M8 x 55	x 1	<b>C</b>
	M8 x 65	x 2	<b>D</b>
	Ø42	x 1	<b>D</b>
	M8 x 16	x 2	<b>E</b>
	M8 x 16	x 6	<b>F</b>
	M8 x 16	x 2	<b>F</b>
	M8 x 25	x 2	<b>G</b>
	M10 x 60	x 1	<b>H</b>
	M8	x 4	<b>I</b>



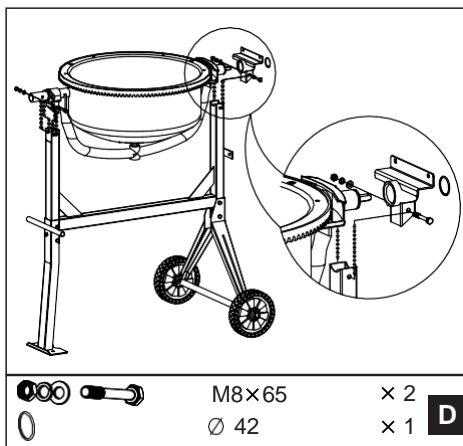
6. Kad rāmis ir novietots uz sāna, pievienojiet tam balsta kāju, kā parādīts attēlā. Ievietojiet divas M8X70 piecstūra bultskrūves pa esošajām atverēm no vienas puses, pēc tam no otras puses pievienojiet plakanās starplikas, paplāksnes un uzgriežņus. Arī uz rāmja esošajā uzgrieznī ieskrūvējiet vienu M8X55 piecstūra bultskrūvi ar paplāksnēm un plakanajām starplikām. Pievelciet skrūves.



7. Pagrieziet rāmi otrādi un tādā pašā veidā pievienojiet šarnīra balstu ar riteņiem.

8. Pārliecinieties, ka visas bultskrūves un uzgriežņi ir pievilkti.

## TRUMUĻA PAMATNE

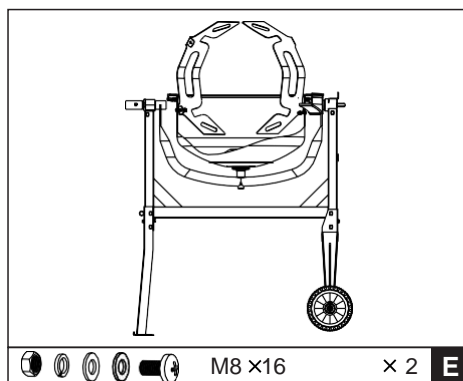


7. Uzslidiniet uz vārpstas gultņu bloku. Nostipriniet to vietā, izmantojot 42 mm spirālgredzenu.

8. Uzmanīgi un piedaloties divām personām, novietojiet trumuļa pamatni tā, lai trumuļa balsts atrastos uz statīva sānu balstiem, kā parādīts attēlā, un gultņu bloki tiktu ievietoti sānu balstos izveidotajās atverēs. Vārpstai ar lielāko diametru jāatrodas statīva kājas galā.

9. Katrā pusē savietojiet sānu balsta atveres ar gultņu bloka atverēm un no vienas puses ieskrūvējiet M8X65 piecstūra bultskrūvi, pēc tam no otras puses pievienojiet plakano starpliku, paplāksni un uzgriežni. Pievelciet ar uzgriežņu atslēgu.

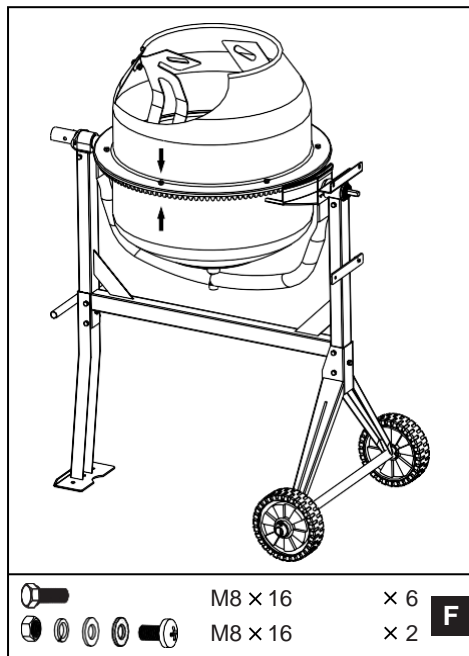
## MAISĪŠANAS LĀPSTIŅAS



Montējiet maisīšanas lāpstiņas trumuļa pamatnes iekšienē, nepievelkot tās stingri, kā parādīts attēlā. Trumuļa pamatnē ir divas atveres, kurās no trumuļa ārpuses var ievietot M8X16 bultskrūves. Uz tām no trumuļa iekšpuses ir jāuzskrūvē ādas starplika, plakanā starplika, paplāksne un uzgrieznis, bet tiem jābūt brīviem. Ādas starplikai jāatrodas zem lāpstiņas pamatnes un jābalstās pret trumuli.

**PIEZĪME.** Trumuļa augšdaļā un uz trumuļa pamatnes ir marķējums ar divām bultām, kas palīdz tās novietot pareizā pozīcijā. Ja jums rodas grūtības pareizi novietot maisīšanas lāpstiņas, iespējams, būs noderīgi, ja īsu brīdi pievienosiet trumuļa augšdaļu tā pamatnei un pagriezīsit to, līdz abas bultas sakrīt.

## TRUMUĻA AUGŠDAĻA



1. Novietojiet trumuļa augšdaļu uz tā pamatnes malas, pārliecinoties, ka montāžas atveres un bultas abās detaļās sakrīt.

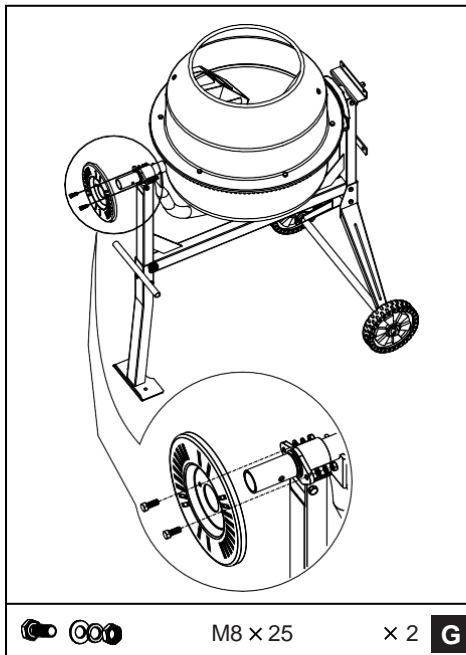
10. Ieskrūvējiet M8X16 piecstūra bultskrūvi ar paplāksnēm un plakanajām starplikām katrā malas/stīpas atverē. Pārliecinieties, ka skrūvju pievilšana tiek veikta pakāpeniski.

11. Nostipriniet maisīšanas lāpstiņas pie trumuļa augšdaļas, no trumuļa ārpuses atverēs ievietojot divas M8X16 krustgalvas skrūves.

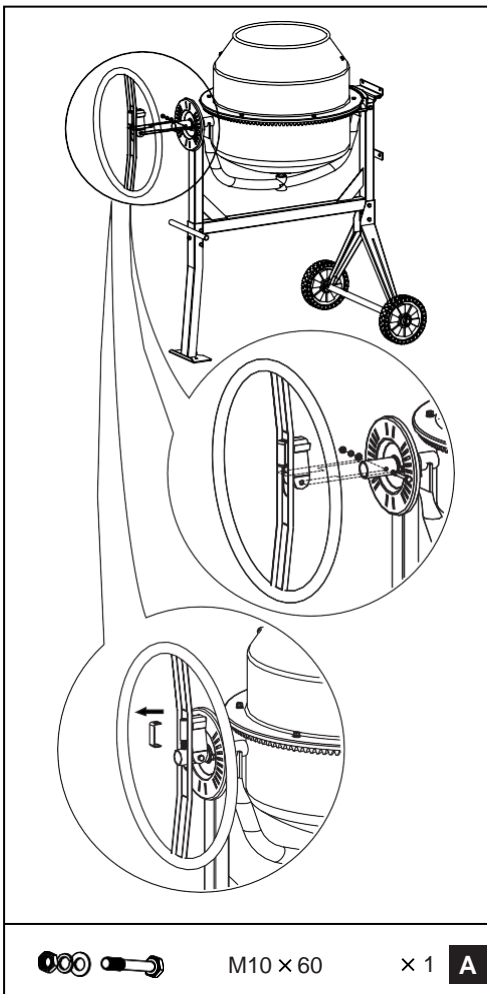
12. Ādas starplikai jāatrodas trumuļa iekšienē starp trumuli un lāpstiņu. Nostipriniet maisīšanas lāpstiņu trumuļa iekšpusē, izmantojot plakano starpliku, atsperepaplāksni un uzgriezni.

13. Visbeidzot pārliecinieties, ka augšējās un apakšējās maisīšanas lāpstiņas stiprinājumi ir cieši pievilkti.

## IZGĀŠANAS RATS



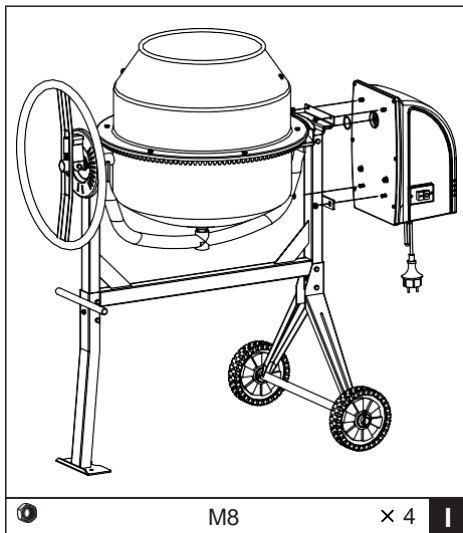
5. Pievienojiet bloķēšanas plati lielākā diametra vārpstai, kura atrodas rāmja kājas galā, tā, lai balstgredzens būtu vērsts uz iekšpusi, kā parādīts attēlā. Nostipriniet to ar divām M8X25 bultskrūvēm, katrai no tām pievienojot uzgriezni, paplāksni un plakanās starplikas.



6. Lai atvieglotu montāžu, atspere ir nostiprināta tās turētājā, izmantojot U veida plāksni. Pārslidiniet ratu pāri lielākā diametra vārpstai, līdz atveres balstā savietojas ar urbumu. Ievietojiet vienu M10X60 piecstūra bultskrūvi un no otras puses uzskrūvējiet tai uzgriezni ar plakanaļām starplikām un paplāksnēm. Cieši uzskrūvējiet uzgriezni balstam, bet nepievelciet to pārāk cieši, lai tas netraucētu rata rotēšanu ap bultskrūvi. Atbrīvojiet atspere, izņemot U veida plāksni.

**PIEZĪME.** Ritenim jāļauj griezties uz bultskrūves tā, lai uz gredzena esošos izciļņus varētu nobloķēt un atbloķēt no bloķēšanas plates rievām.

## TRANSMISIJAS KĀRBA



Savietojot ierievja rievās, uzslidiniet transmisijas kārbu pāri zobstienim. Piestipriniet kārbu rāmim, izmantojot četrus M8 uzgriežņus.

## DARBĪBAS

## NORĀDĪJUMI

### TRUMUĻA SASVĒRŠANA

Izgāšanas rats ar noslogotu atspere un kaujas izciļņiem sniedz iespēju viegli vadīt trumuļi, kuru var nobloķēt maisīšanas, izgāšanas un uzglabāšanas pozīcijā.

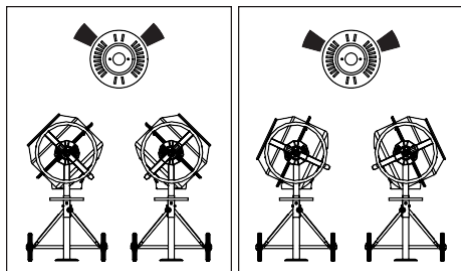
Trumulis tiek nobloķēts pozīcijā ar izcilņu palīdzību, kuri atrodas uz pašregulējoša izgāšanas rata, kas sakabinās ar bloķēšanas plati uz maisītāja rāmja. Lai savērtu trumuli, atvelciet izgāšanas ratu, atbrīvojot kaujas izcilņus. Tādā veidā var pagriezt izgāšanas ratu un trumuli vienā virzienā.

Lai noturētu trumuli pozīcijā, savietojot izcilņus ar atverēm, nedaudz atlaidiet izgāšanas ratu, tikmēr aizurot trumuļa kustības. Pagrieziet izgāšanas ratu, līdz kaujas izcilnis nobloķējas bloķēšanas plāksnē uz maisītāja statīva.

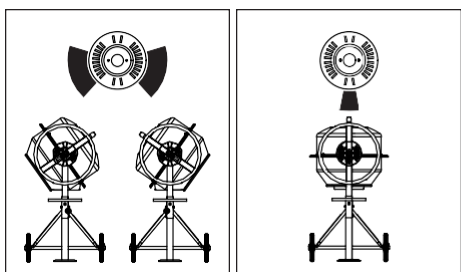
## Iekraušanas/maisīšanas pozīcija

Javai

Betonam



## Iztukšošanas pozīcija Uzglabāšanas pozīcija



## IEKRAUŠANA

Pilnībā izritiniet pagarinātājauklu. Pirms pieslēgšanas elektropadevei pievienojiet pagarinātājauklu betona maisītājam.



Vienmēr ieslēdziet maisītāju pirms materiālu iekraušanas trumulī. Veiciet iekraušanu



rotējošā trumulī.



Neiekraujiet materiālus maisītājā, lai izvairītos no to ciešas pielipšanas pie trumuļa dibena. Uzmanīgi izgāziet tos.

PIEZĪM  
E.

Motorā ir uzstādīta termālās aizsardzības ierīce, lai izvairītos no tā pārkaršanas. Termālā aizsardzības ierīce automātiski atsāk darbību, kad motors ir atdzisis.

Lai sasniegtu labāko rezultātu, rīkojieties, kā norādīts tālāk.

9. Ieberiet trumulī nepieciešamo grants daudzumu.
10. Ieberiet trumulī nepieciešamo cementa daudzumu.
11. Ieberiet trumulī nepieciešamo smilšu daudzumu.
12. Ielejiet trumulī nepieciešamo ūdens daudzumu.

## IZTUKŠOŠANA

Neizslēdziet maisītāju, ja tas ir pilns. Iztukšojiet rotējošu trumuli.



## TĪRĪŠANA



Nekad nelieciet rokas rotējošā trumulī.

Katras darba dienas beigās rūpīgi iztīriet maisītāju. Raugieties, lai maisītājs būtu tīrs. Pat mazākais materiāla daudzums, kas ir palicis trumulī, sacietēs un palielināsies ar katru ierīces lietošanas reizi, līdz ierīce kļūs nederīga. Izžuvis cements ir jānoskrāpē no trumuļa sienām. Nemetiet maisītājā kļēģelus, lai to iztīrītu. Nedauziet trumuli ar lāpstu, āmuru vai citiem instrumentiem, lai noņemtu tajā uzkrājušos sauso cementa maisījumu, jo šādi varat radīt maisītāja bojājumus. Trumuli var iztīrīt aptuveni 2 minūšu laikā, izmantojot 2,5 cm grants un ūdens maisījuma. Pēc tam izgāziet grants/ūdens maisījumu un noskalojiet trumuli gan no iekšpuses, gan ārpus. Tā kā ierīce atbilst IP44D aizsardzības klasei, betona maisītāja konstrukcija ļauj droši skalot tās trumuli ar ūdeni.



Nelejiet un nesmidziniet ūdeni tieši uz motora pārsega, īpaši tā atverēm.



Noslaukiet materiāla atlikumus no motora pārsega. Neizmantojiet benzīnu, terpentīnu, lakas vai krāsas šķīdinātāju, ķīmiskās tīrīšanas līdzekļus vai līdzīgus produktus. Ķīmisku produktu vai šķīdinātāju izmantošana var ietekmēt pārsega īpašības, kurš ir izgatavots no lielblīvuma polietilēna (PET).

## TEHNISKĀS APKOPES NORĀDĪJUMI



Pārliecinieties, ka pagarinātājaukla vienmēr ir atvienota no kontaktlīdzes, pirms noņemat motora pārsegu.

Dzensiksna vienmēr ir vienmērīgi nostiepta, pateicoties ar atsperi nospriegotam ritenītim. Tam nav nepieciešama nekāda regulēšana, izņemot vārpstas eļļošanu.

Gultņi ir cieši noslēgti.

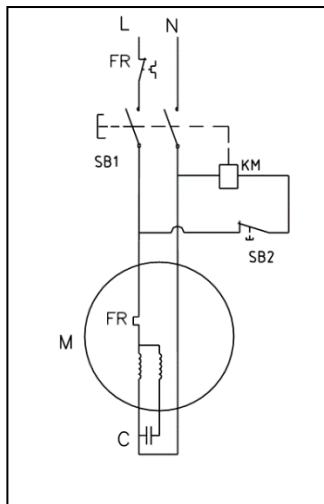


Elektroinstalācijas shēma un detaļu shēma šajā rokasgrāmatā ir ievietotas tikai atsaucei. Ne ražotājs, ne izplatītājs nesniedz nekāda veida apliecinājumu vai garantiju pircējam par ar to, ka viņš(-a) ir kvalificēts(-a) veikt jebkādus šā izstrādājuma remontdarbus vai jebkādu šī izstrādājuma detaļu nomaiņu. Maisītāja remontdarbus atļauts veikt tikai kvalificētiem darbiniekiem. Visi tehniskās apkopes darbi un remontdarbi saistībā ar elektriskajām sastāvdaļām jāveic kvalificētam elektriķim.

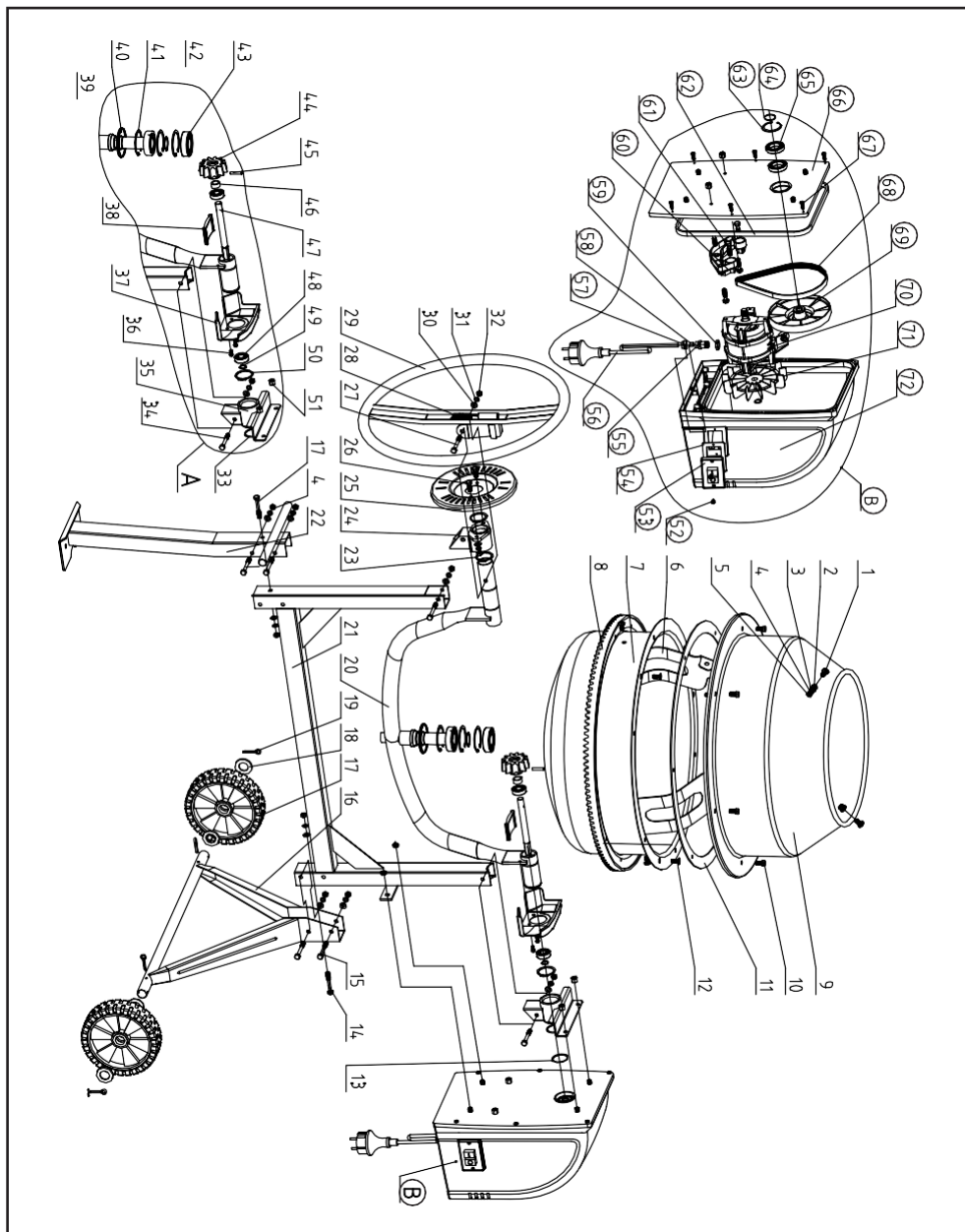
Detaļas, kuru numuri ir apvilkti ar aplīiem, atļauts uzstādīt tikai kvalificētiem elektriķiem.



## ELEKTROINSTALĀCIJAS SHĒMA



# DETAĽU SHĚMA





# ES atbilstības deklarācija

Mēs,

uzņēmums “Kesko Corporation Group Companies”,

adrese: **Satamakatu 3, FI-00160, Helsinki, Somija,**

tālrunis: **+358 10 53032, fakss: +358 9 857 4783,**

**ar pilnu atbildību deklarējam, ka norādītais izstrādājums**  
aprīkojums: **Betona maisītājs**

zīmola nosaukums: **FXA**

modelis/tips: **502039977/HCM450**

## **atbilst**

Mašīnu direktīvai (MD) (2006/42/EK),

Elektromagnētiskās savietojamības direktīvai (EMC) (2014/30/ES)

**un turpmāk norādītajiem piemērojamiem saskaņotajiem standartiem un tehniskajām**  
**specifikācijām:**

EN 12151:2007

EN 60204-1: 2006+A1:2009

EN 55014-1: 2006/A1:2009/+A2:2011

EN 55014-2: 2015

EN 61000-3-2:2014

EN 61000-3-3:2013

Helsinki, Somija, 11, 2018. gads,

uzņēmums “Kesko Corporation Group Companies”,

**IŠSIAIŠKINKITE VISKĄ APIE MAIŠYKLĘ**

Perskaitykite ir išsiaiškinkite naudojimo instrukciją ir ant maišyklės priklijuotus lipdukus. Žinokite, kokia jos paskirtis ir apribojimai, taip pat su ja susijusius galimus būdingus pavojus. Prieš naudodami šią maišyklę, susipažinkite su valdymo įtaisais.

**IŠLIKITE BUDRŪS**

Nenaudokite maišyklės, jei esate apsvaigę nuo narkotinių medžiagų, alkoholio ar vaistų, kurie galėtų paveikti jūsų gebėjimą tinkamai ją naudoti.

Nenaudokite maišyklės, jei esate pavargę arba esate blaškomi, kai dirbate. Visada būkite atidūs. Vadovaukitės sveika nuovoka.

**VENKITE PAVOJINGŲ SĄLYGŲ**

Pasirūpinkite, kad aplink būtų pakankamai vietos.

Pasirūpinkite, kad darbo vieta būtų švari ir gerai apšviesta. Netvarkingoje darbo vietoje padidėja tikimybė susižaloti.

Pasirūpinkite, kad aplink maišyklę nebūtų kliūčių, riebalų, alyvos, šiukšlių ar statybinių nuolaužų, už kurių žmonės galėtų užkliūti ir nugriūti ant judančių dalių.

Maišyklę naudokite tik ant tvirto, lygaus ir horizontalaus pagrindo, kuris galėtų atlaikyti maišyklės ir apkrovos svorį, kad maišyklė nenuvirstų.

Nebandykite perkelti maišyklės, kai ji prikrauta ir (arba) veikia.

Ši maišyklė skirta betonui, skiediniui ir tinkui ruošti. Ji netinka degioms ar sprogioms medžiagoms maišyti. Nenaudokite tokioje vietoje, kur dažų, tirpiklių ar degių skysčių garai galėtų sukelti pavojų.

**ATLIKITE MAIŠYKLĖS PATIKRĄ**

Prieš įjungdami apžiūrėkite maišyklę. Pasirūpinkite, kad apsaugos įtaisai būtų savo vietoje ir veiktų tinkamai. Neįjunkite maišyklės, jei nuimtas variklio dangtis. Kaskart prieš naudodami patikrinkite visus varžtus, veržles ir sraigtus, ar jie gerai priveržti – ypač tuos, kurie prilaiko apsaugos įtaisus ir pavaros mechanizmus. Dėl maišant atsiradusios vibracijos jie gali atsilaisvinti.

Prieš įjungdami maišyklę įpraskite patikrinti, ar aplink maišyklę nesimėto reguliavimo įrankių, kastuvų, mentelių ir kitų įrankių / įrenginių.

Prieš naudodami maišyklę pakeiskite pažeistas, sugadintas ar trūkstantas dalis. Įspėjamuosiuose lipdukuose pateikiama svarbi informacija. Perklijuokite įspėjamuosius lipdukus, jei jie buvo pažeisti ar nusilupę.



**TINKAMAI APSIRENKITE**

Nedėvėkite laisvų drabužių, nemūvėkite pirštinių, neryšėkite kaklaraiščio ir nedėvėkite juvelyrinių dirbinių (žiedų, rankinių laikrodžių). Jie gali įstrigti į judančias dalis. Dirbant rekomenduojama mūvėti elektrai nelaidžias pirštines ir avėti avalynę neslystančiais padais. Ilgus plaukus uždenkite, kad jie nepatektų į mašinos dalis. Jei dirbant kyla dulkių, dėvėkite veido kaukę arba respiratorių. Visada dėvėkite apsauginius akinius ir (arba) veido apsaugą. Kasdienių akinių lęšiai atsparūs tik smūgiams. Šie akiniai nėra apsauginiai.

**LAIDO NENAUDOKITE NETINKAMAI**

Niekada neneškite maišyklės, laikydami už laido, ir netraukite už laido, norėdami atjungti nuo elektros lizdo. Saugokite laidą nuo karščio, alyvos ir aštrių briaunų.

**ILGINTUVAI**

Ilgintuvai negali būti ilgesni nei 50 metrų. Esant 230 V įtampai, laido skerspjūvis turi būti 1,5 mm<sup>2</sup>, kad varikliui būtų tiekiami pakankama srovė. Netinkamai naudojant ilgintuvus maišyklė gali veikti neefektyviai, todėl gali perkaisti ir gali sugesti variklis.

Galima naudoti tik ilgintuvus, žymimus H07RN-F ir tinkamus naudoti lauke. Pasirūpinkite, kad nebūtų laisvų ir netinkamai izoliuotų jungčių. Jungtys turi būti su apsaugine medžiaga, tinkama naudoti lauke. Įsitinkinkite, kad visos ilgintuvo jungtys yra sausos ir saugios. Įsitinkinkite, kad ilgintuvus rūpestingai nutiestas ten, kur nėra skysčių ir aštrių briaunų, tokioje vietoje, kur jo nepervažiuotų automobiliai. Saugokite, kad ilgintuvus nebūtų prispaustas po maišykle. Visiškai jį išvyniokite, antraip jis gali perkaisti ir sukelti gaisrą.

**SAUGOKITĖS ELEKTROS SMŪGIO**

Įsitinkinkite, kad elektros grandinė tinkamai apsaugota ir atitinka variklio galią, įtampą bei dažnį.

Neįjunkite ir neatjunkite variklio, jei stovite ant drėgno ar šlapio pagrindo arba netoli jo. Nenaudokite maišyklės šlapioje ar drėgnoje vietoje, saugokite ją nuo lietaus.

Saugokite, kad korpusas nesiliestų su įžemintais paviršiais: vamzdžiais, radiatoriais, viryklėmis ir šaldytuvų korpusais.

Įjungdami ar atjungdami maišyklę pirštais nelieskite kištuko metalinių kontaktų.

**NELEISKITE ARTI BŪTI PAŠALINIAMS ASMENIMS IR VAIKAMS**

Neleiskite neįgalotiems asmenims būti arti maišyklės.

Neleiskite vaikams įlįsti prie maišyklės, lipti ant jos arba į ją.



**NESIEKITE PER TOLI**

Pakraudami ir iškraudami maišyklę visada tinkamai remkitės kojomis ir išlaikykite pusiausvyrą.

Niekada nelipkite ant maišyklės. Apvirtus maišyklei arba netyčia prisilietus prie judančių dalių galima sunkiai susižaloti. Nieko nelaikykite virš maišyklės arba arti jos, kad niekas, mėgindamas pasiekti tokius daiktus, neliptų ant maišyklės.

**SAUGOKITĖS, KAD NETYČIA NESUSIŽALOTUMĖTE**

Laikykite rankas atokiai nuo judančių dalių. Maišyklei veikiant į būgną neikiškite jokių kūno dalių ar įrankių, pavyzdžiui, kastuvo. Dirbdami neikiškite rankų pro tarpą tarp rėmo ir atraminės svirties arba tarp rėmo ir atraminės svirties.

**NEVERSKITE ĮRENGINIO DIRBTI PER JĖGĄ**

Jis geriau ir saugiau veiks numatytu greičiu. Neviršykite numatyto pajėgumo.

Nepaleiskite variklio, jei būgnas pilnai pakrautas. Neišjunkite maišyklės, kai ji pilna betono.

Nenaudokite maišyklės kitai paskirčiai, nei numatyta.

Maišyklės negalima tempti, prikabinus prie kokios nors transporto priemonės.

**VEIKIANČIOS MAIŠYKLĖS NIEKADA NEPALIKITE BE PRIEŽIŪROS**

Neatsitraukite nuo maišyklės, kol ji visiškai nesustos.

**ATJUNKITE MAITINIMĄ**

Kol neatjungsite maišyklės maitinimo, neatidarykite variklio dangčio. Kai maišyklės nenaudojate, taip pat prieš ją perkeldami, reguliuodami, keisdami dalis, valydami ar tvarkydami atjunkite nuo maitinimo šaltinio. Prieš atlikdami techninę priežiūrą peržvelkite techninį vadovą.

**GERAI PRIŽIŪRĖKITE MAIŠYKLĘ**

Baigę naudoti nedelsdami išvalykite maišyklę. Kad maišyklė veiktų kuo geriau ir saugiau, pasirūpinkite, kad ji būtų švari.

Atliekant maišyklės priežiūrą galima naudoti tik gamintojo originalias pakaitines dalis.

**SAUGOKITE APLINKĄ**

Medžiagų likučius atiduokite į įgaliotą surinkimo punktą arba laikykite šalia, galiojančių šalyje, kurioje maišyklė naudojama. Neišpilkite į kanalizaciją, dirvožemį ar vandenį.

**NENAUDOJAMOS ĮRANGOS LAIKYMAS**


Nenaudojamą maišyklę laikykite sausoje vietoje, kad ji nerūdytų. Saugokite maišyklę nuo vaikų ir kitų asmenų, kurie neturi

tinkamos kvalifikacijos, kad galėtų ją naudoti.

## ELEKTROS JUNGTYS

## SPECIFIKACIJOS

Ši maišyklė dvigubai izoliuota pagal II klasės apsaugą ir priskiriama IP44D klasei. Izoliacija liks efektyvi tik tada, jei remontuojant bus naudojamos originalios izoliacinės dalys ir bus išlaikyti tarpai tarp originalios izoliacijos.

Dėl dvigubos izoliacijos  nereikia naudoti trijų gyslų žeminto maitinimo kabelio ir žemintos maitinimo tiekimo sistemos. Su dvigubai izoliuotais įrankiais galima naudoti dviejų ar trijų gyslų ilgintuvą.



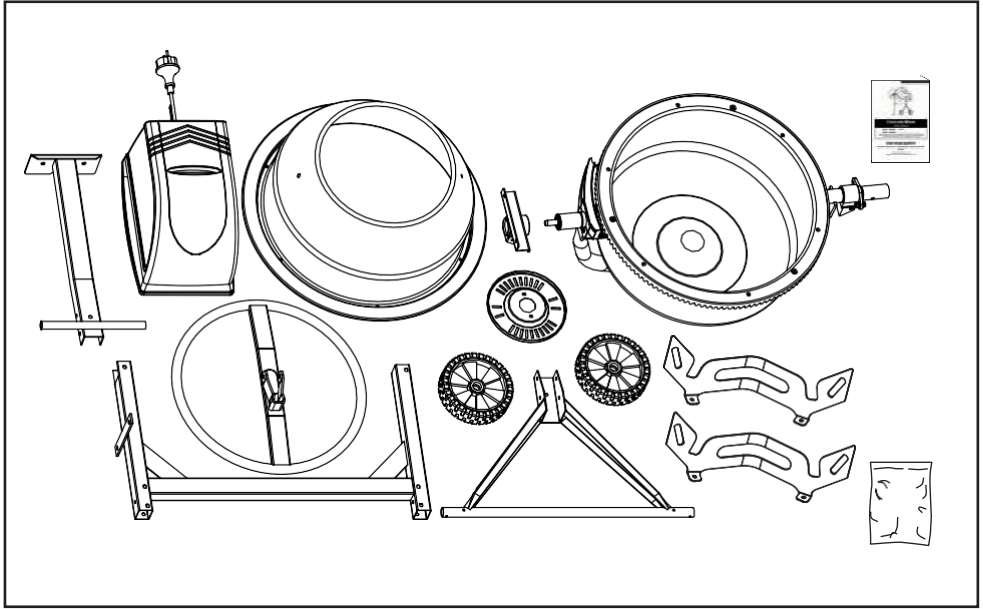
Nė vienos gyslos nejunkite prie žeminimo kontakto.













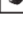
230 V maitinimo tinkle rekomenduojama naudoti liekamosios srovės įtaisą (RCD) (nuotėkio relę). Jei naudojate ilgintuvą, prijunkite jį tiesiai prie RCD.

Jei esate Šveicarijoje, maišyklę junkite tik prie elektros lizdo, apsaugoto srovės išjungikliu.

<b>Modelio numeris</b>	<b>HCM450</b>	
<b>Variklis</b>	550 W S6 30 %	
<b>Būgno talpa</b>	125 litrai	
<b>Būgno angos skersmuo</b>	380 mm	
<b>Būgno greitis</b>	26,6 / min	
<b>Bendri matmenys</b>	<b>I</b>	1200 mm
	<b>P</b>	710 mm
	<b>A</b>	1400 mm
<b>Svoris</b>	51 kg	

## PAKUOTĖS TURINYS



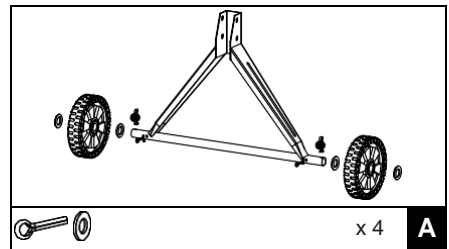
		× 4	<b>A</b>
	M8 × 70	× 2	<b>B</b>
	M8 × 55	× 1	
	M8 × 70	× 2	<b>C</b>
	M8 × 55	× 1	
	M8 × 65	× 2	<b>D</b>
	∅42	× 1	
	M8 × 16	× 2	<b>E</b>
	M8 × 16	× 6	
	M8 × 16	× 2	<b>F</b>
	M8 × 25	× 2	<b>G</b>
	M10 × 60	× 1	<b>H</b>
	M8	× 4	<b>I</b>

## SURINKIMO INSTRUKCIJOS

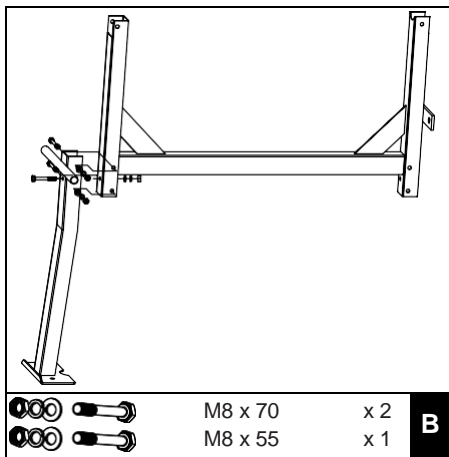


Rekomenduojama, kad maišyklė surinktų du asmenys.

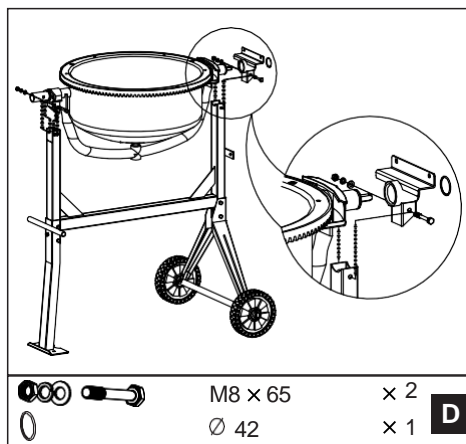
### STOVAS



Į abu ašies galus įstatę vielokaiščius, užmaukite plokščią poveržlę, tada – ratą ir kitą plokščią poveržlę. Į ašies angas abiejų plokščių poveržlių išorėje įstatykite dar po vieną vielokaištį. Abu vielokaiščių galus užlenkite išorėn, kad jie neiškristų.



Rėmą paguldę ant šono pritvirtinkite atraminę koją, kaip parodyta. Per angas vienoje pusėje prakiškite du M8X70 šešiabriaunius varžtus, tada iš kitos pusės užmaukite plokščias poveržles, fiksavimo poveržles ir užsukite veržles. Taip pat įsukite M8X55 šešiabriaunį varžtą į rėmą su fiksavimo poveržle ir plokščia poveržle, užsukite veržlę. Priveržkite.

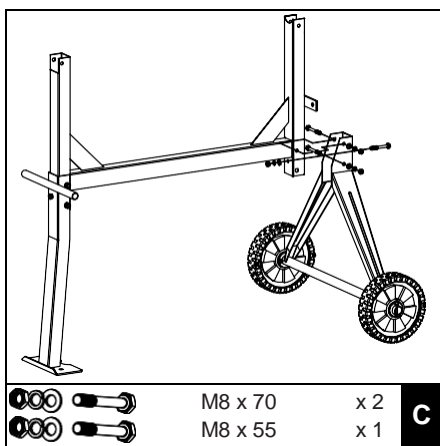
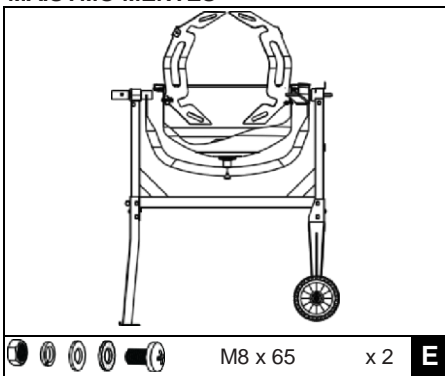


41. Guolių bloką užmaukite ant veleno. Įtvirtinkite vietoje, naudodami Ø42 spiralinį žiedą

Dviese atsargiai uždėkite apatinį būgną su atramine svirtimi ant stovo šoninių atramų, kaip parodyta, kad guolių blokai įsistatytų į griovelius šoninėse atramosė. Didensnio skersmens velenas turi būti stovo pusėje su koja.

Abiejose pusėse sulygiuokite šoninių atramų angas su guolių blokų angomis ir iš vienos pusės įstatykite po M8X65 šešiabriaunį varžtą, tada iš kitos pusės užmaukite plokščią poveržlę ir fiksavimo poveržlę, užsukite veržlę. Priveržkite veržliarakčiu.

### MAIŠYMO MENTĖS



Rėmą apverskite ir tokiu pačiu būdu pritvirtinkite ašį su ratais.

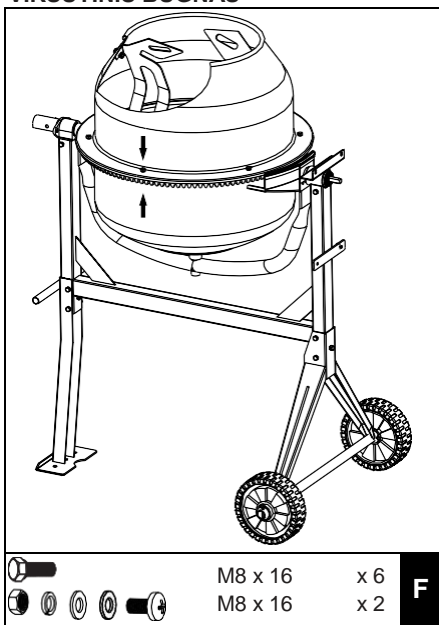
Pasirūpinkite, kad visi varžtai ir veržlės būtų gerai priveržti.

### APATINIS BŪGNAS

Maišymo mentes laisvai sumontuokite apatiniame būgne, kaip parodyta. Būgno apačioje yra dvi angos, per kurias iš išorės galima įkišti M8X16 varžtus. Odinė poveržlė, plokščia poveržlė, fiksavimo poveržlė ir veržlė turi būti laisvai užsriegtos iš vidinės pusės. Odinė poveržlė turi būti dedama po mente ir prispaudžiama prie būgno.

**PASTABA:** dvi rodyklės, esančios ant apatinio būgno ir viršutinio būgno, nurodo jų padėties santykį. Jei sunkiai sekasi tinkamai nustatyti maišymo menčių padėtį, gali būti naudinga laikinai sumontuoti viršutinį būgną ant apatinio būgno ir pasukti taip, kad abi rodyklės susilygiuotų.

### VIRŠUTINIS BŪGNAS



42. Viršutinį būgną uždėkite ant apatinio būgno antbriaunio, sulyguodami ir pažymėtas rodykles, ir montavimo angas.

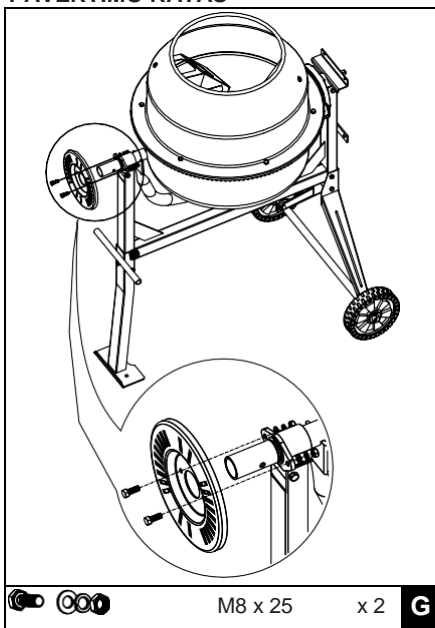
Į kiekvieną antbriaunio / žiedo srieginę angą įsukite po M8X16 šešiabriaunį varžtą su fiksavimo poveržle ir plokščia poveržle. Veržkite palaipsniui.

Maišymo mentes pritvirtinkite prie viršutinio būgno, du M8X16 varžtus su kryžminėmis galvutėmis įstatydami iš išorės per būgne esančias angas.

Odinė poveržlė turi būti padėta iš vidinės pusės, tarp būgno ir mentės. Maišymo mentę iš vidaus užfiksukite naudodami plokščią poveržlę, spyruoklinę poveržlę ir veržlę.

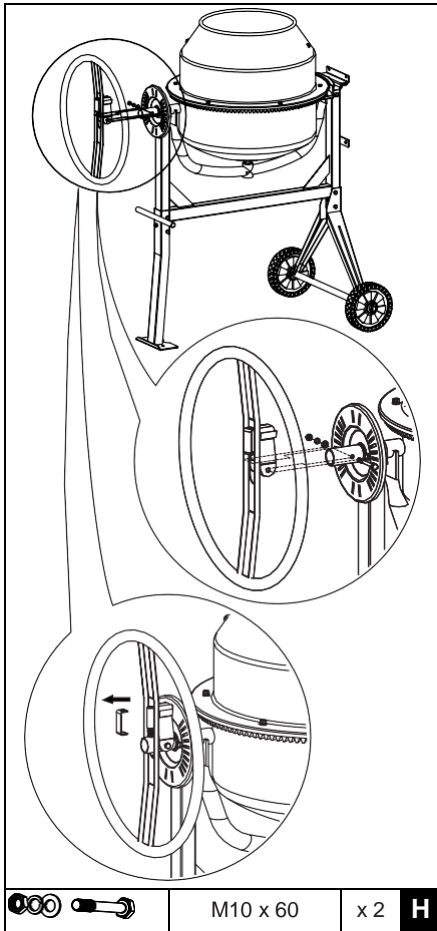
Galiausiai įsitikinkite, kad viršutinė ir apatinė maišymo menčių jungtys yra gerai priveržtos.

### PAVERTIMO RATAS



43. Fiksavimo plokštelę užmaukite ant didesnio skersmens veleno rėmo pusėje su koja, antbriaunis turi būti nukreiptas į vidinę pusę, kaip parodyta. Pritvirtinkite dviem M8X25 varžtais, naudodami plokščias poveržles, fiksavimo poveržles ir veržles.

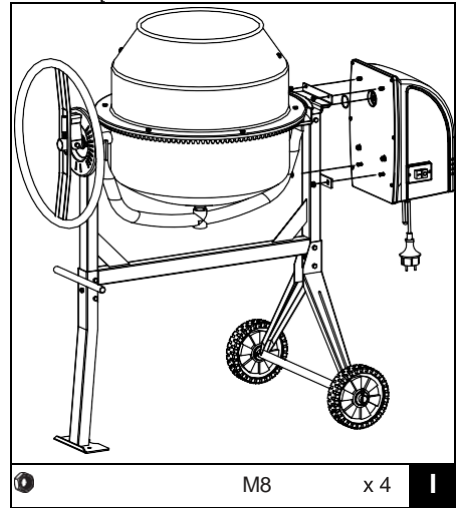




Spyruoklė yra suspausta laikiklyje naudojant U formos plokštelę, kad būtų lengviau surinkti. Užmaukite ratą ant didesnio skersmens veleno, kol laikiklio angos susilygiuos su išgręžta anga. Įstatykite M10X60 šešiabriaunį varžtą, o kitoje pusėje užmaukite plokščią ir fiksavimo poveržles, užsukite veržlę. Veržlę tvirtai priveržkite prie laikiklio, bet ne per daug, kad ratas galėtų sukintis aplink varžtą. Atlaisvinkite spyruoklę, nuimdami U formos plokštelę.

**PASTABA.** Ratas turi sukintis aplink varžtą, kad laikiklio kaišteliai galėtų įsistatyti ir išlįsti iš fiksavimo plokštelės angų.

## PAVARŲ DĖŽĖ



Sulygiuodami griovelius užmaukite pavaru dėžę ant veleno su dantračiais. Pritvirtinkite dėžę prie rėmo keturiomis M8 veržlėmis.

## NAUDOJIMO INSTRUKCIJOS

### BŪGNO PAVERTIMAS

Naudojant spyruoklinį pavertimo ratą su fiksavimo kaišteliais galima lengvai valdyti būgną ir jį užfiksuoti maišymo, išpylimo ir laikymo padėtyse.

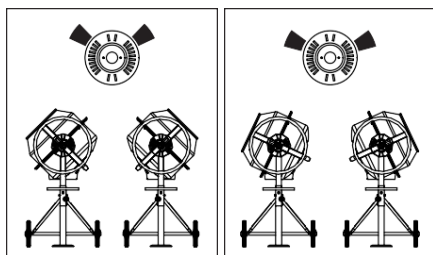
Būgnas tam tikroje padėtyje fiksuojamas kaišteliais, esančiais ant pavertimo rato, kurie įsistato į fiksavimo plokštelę ant maišyklės rėmo. Jei norite paversti būgną, patraukite pavertimo ratą, kad atkabintumėte fiksavimo kaištelius. Tada pavertimo ratą ir būgną galėsite pasukti ta pačia kryptimi.

Jei norite būgną išlaikyti vienoje padėtyje, sulygiavę kaištelius su angomis šiek tiek atleiskite pavertimo ratą, prilaikydami būgną. Pasukite pavertimo ratą, kol fiksavimo kaišteliai įsistatys į fiksavimo plokštelę ant maišyklės rėmo.

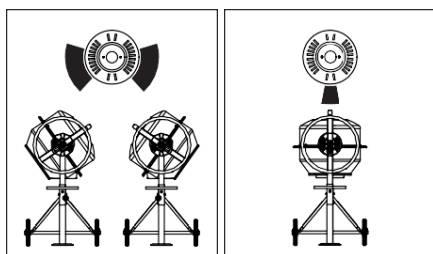
### Pakrovimo / maišymo padėtis

Skiediniui

Betonui



### Ištuštinimo padėtis Laikymo padėtis



### PAKROVIMAS



Visiškai išvyniokite ilgintuvą. Pirmiausia prijunkite prie betono maišyklės, o tada įjunkite į maitinimo tinklą.



Maišyklę visada paleiskite prieš pakraudami būgną. Pakraukite būgną jam sukantis.



Nemeskite medžiagų į maišyklę, kad jos tvirtai neprikibtų prie būgno dugno. Jas pamažu pilkite per angos briauną.

**PASTABA.** Variklis yra su šiluminiu saugikliu, apsaugančiu nuo perkaitimo. Šiluminis saugiklis vėl automatiškai įsijungia, kai variklis atvėsta.

Rekomenduojama darbo eiga:

44. į būgną suberkite reikiamą kiekį žvyro;

į būgną suberkite reikiamą kiekį cemento;

į būgną suberkite reikiamą kiekį smėlio;

į būgną įpilkite reikiamą kiekį vandens;

### IŠTUŠTINIMAS



Neišjunkite maišyklės, kai ji pilnai pakrauta. Ištuštinkite būgną jam sukantis.

### VALYMAS



Kol būgnas sukasi, neikiškite į vidų rankų.

Baigę darbą kruopščiai išvalykite maišyklę. Pasirūpinkite, kad maišyklė būtų švari. Jei būgne liks nors šiek tiek medžiagų, jos sukietės ir kaskart naudojant prie jų prikibs dar daugiau, kol galiausiai įrenginys taps netinkamas naudoti. Pridžiūvusį cementą iš būgno reikia išgramdyti. Norėdami išvalyti maišyklės būgną, nemeskite į jį plytų. Norėdami išvalyti pridžiūvusį cemento mišinį, nedaužykite būgno kastuvu, plaktuku ar kitais įrankiais, nes galite apgadinti maišyklę. Būgną reikėtų šveisti maždaug 2 minutes, naudojant 1 col. storio žvyro ir vandens mišinio sluoksnį. Po to žvyro ir vandens mišinį išpilkite ir būgną žarna nuplaukite iš vidaus ir išorės. Betono maišyklės konstrukcijos apsaugos klasė yra IP44D, todėl galite saugiai plauti būgną vandens žarna.



Vandens nepilkite ir nepurškite tiesiai į variklio dangtį, ypač į jo angas.

Nušluostykite bet kokią ant variklio dangčio patekusią medžiagą. Nenaudokite benzino, terpentino, lako ar dažų skiediklio, cheminio valymo skysčių ir panašių gaminių. Naudojant chemikalus ar tirpiklius galima pažeisti dangtį, pagamintą iš didelio tankio polietileno (PET).



## PRIEŽIŪROS INSTRUKCIJOS



Prieš nuimdami variklio dangtį, įsitinkinkite, kad ilgintuvas atjungtas.

Pavaros diržas yra nuolat tolygiai įtemptas spyruokliniu įtaisū. Nieko nereikia reguliuoti, tik retkarčiais truputį sutepti suklij.

Guoliai yra užsandarinti visam laikui.

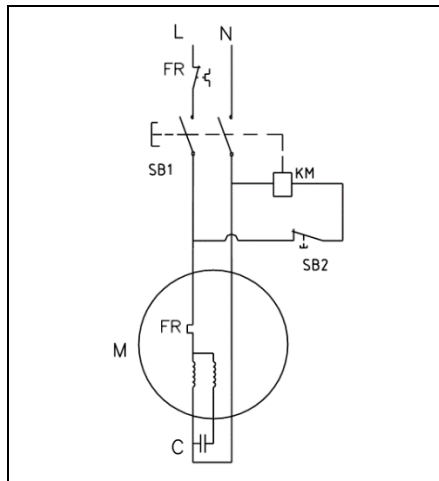


Elektros schema ir dalių schema šioje instrukcijoje yra pateikiamos tik informaciniais tikslais. Nei gamintojas, nei platintojas neteikia pirkėjui jokių garantijų, kad šis yra pakankamai kvalifikuotas remontuoti gaminį arba pakeisti kurias nors jo dalis. Maišyklę remontuoti turėtų tik kvalifikuoti technikai. Bet kokius elektros komponentų priežiūros ir remonto darbus turėtų atlikti kvalifikuotas elektrikas.

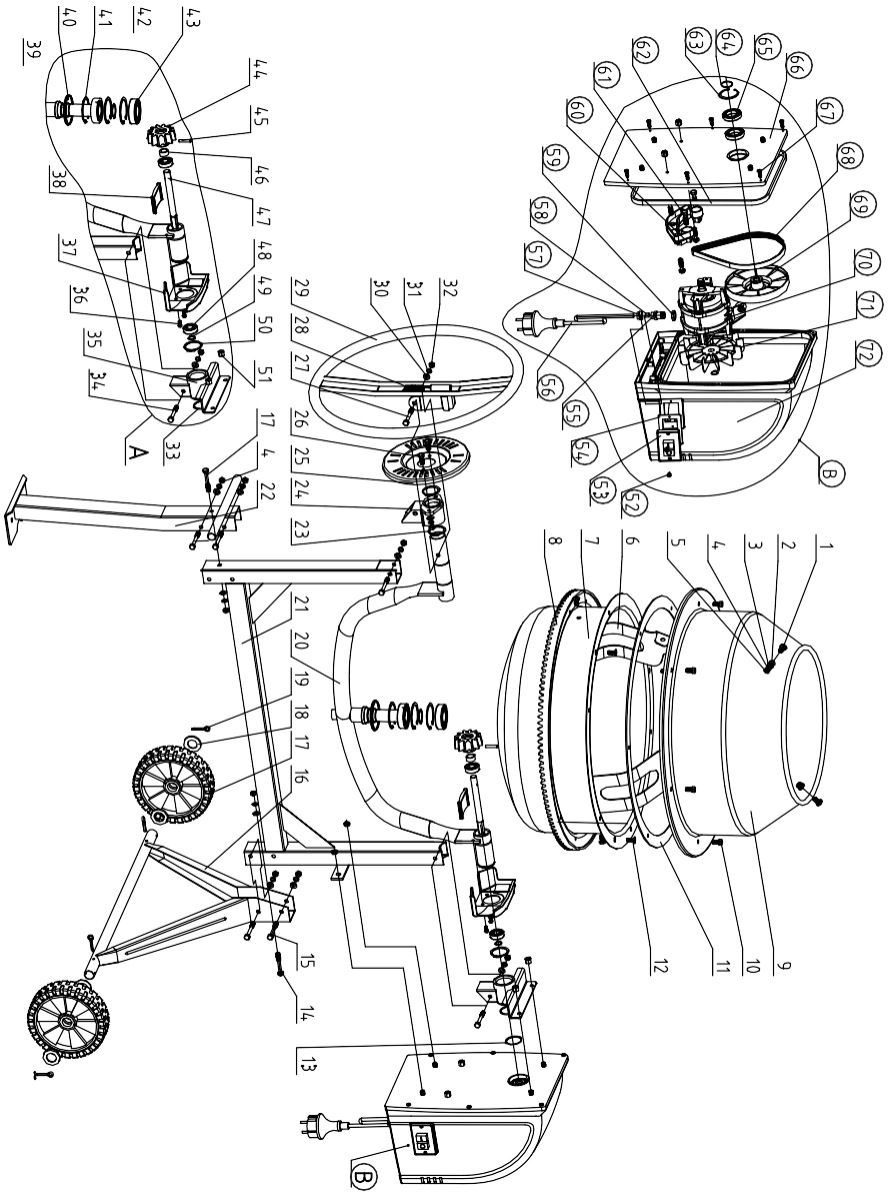


Apibrauktas dalis montuoti turėtų tik kvalifikuotas elektrikas.

## ELEKTROS SCHEMA



# DALIŲ SCHEMA



# ES atitikties deklaracija

Mes,

“Kesko Corporation Group Companies”,

Adresas: Satamakatu 3, FI-00160, Helsinki, Finland (Suomija)

Telefonas: +358-10 53032, faksas: +358-9 857 4783

savo išskirtine atsakomybe pareiškiame, kad toliau nurodytas produktas

Įranga: Betono maišyklė

Prekių ženklas: FXA

Modelis / tipas: 502039977/HCM450

## atitinka

Mašinų direktyvą (MD) 2006/42/EB

Elektromagnetinio suderinamumo direktyvą (EMC) 2014/30/ES,

jam buvo taikomi toliau nurodyti darnieji standartai ir techninės specifikacijos:

EN 12151:2007

EN 60204-1: 2006+A1:2009

EN 55014-1: 2006/A1:2009/+A2:2011

EN 55014-2: 2015

EN 61000-3-2:2014

EN 61000-3-3:2013

Helsinkis, Suomija, 2018-11

**Kesko Corporation Group Companies**

## POZNAJ DZIAŁANIE BETONIARKI

Należy przeczytać ze zrozumieniem instrukcję właściciela i etykiety umieszczone na betoniarce. Należy poznać jej zastosowania i ograniczenia, a także konkretne potencjalne zagrożenia związane z jej użytkowaniem.

Przed rozpoczęciem użytkowania betoniarki należy zapoznać się z jej urządzeniami sterującymi.

## ZACHOWANIE CZUJNOŚCI

Nie wolno obsługiwać betoniarki pod wpływem środków odurzających, alkoholu lub innych środków farmaceutycznych, które mogą wpływać na zdolność prawidłowego jej obsługiwania.

Nie wolno używać niniejszej betoniarki w przypadku zmęczenia lub problemów ze skoncentrowaniem się na wykonywanej pracy. Przez cały czas należy skupiać się na tym, co się robi. Zachować zdrowy rozsądek.

## UNIKANIE WARUNKÓW NIEBEZPIECZNYCH

Upewnić się, że wokół dostępna jest wystarczająca przestrzeń do pracy.

Miejsce pracy musi być czyste i dobrze oświetlone. W miejscach, w których panuje nieporządek łatwo o kontuzje. W strefie wokół betoniarki nie mogą znajdować się żadne przeszkody, smar, oleje, śmieci lub inne pozostałości, które mogą spowodować upadek osób na części ruchome urządzenia.

Betoniarkę można używać lub obsługiwać wyłącznie na stabilnej, płaskiej, wypoziomowanej powierzchni, która jest w stanie udźwignąć ciężar betoniarki i jej wsadu, aby zapobiec przewróceniu się betoniarki.

Nie wolno podejmować prób przesunięcia betoniarki, gdy jest ona wypełniona materiałem lub podczas jej działania.

Niniejsza betoniarka jest przeznaczona do produkcji betonu, zaprawy murarskiej i tynku. Nie jest ona przeznaczona do mieszania substancji łatwopalnych lub wybuchowych. Nie wolno używać jej w miejscach, gdzie obecność oparów farby, rozpuszczalników lub płynów łatwopalnych stanowi potencjalne zagrożenie.

## SPRAWDZANIE BETONIARKI

Przed włączeniem należy sprawdzić betoniarkę. Sprawdzić, czy osłony znajdują się na swoim miejscu i są w dobrym stanie technicznym. Nie wolno włączać betoniarki przy zdjętej osłonie silnika. Przed użyciem betoniarki należy sprawdzić wszystkie śruby, nakrętki i wkręty, szczególnie te mocujące osłony i mechanizmy napędowe, pod kątem ich dokręcenia. Drgania powstające w trakcie mieszania mogą powodować ich poluzowanie.

Należy wprowadzić zwyczaj sprawdzania, czy wszystkie narzędzia regulacyjne, łopaty, kielnie ręczne i inne narzędzia/sprzęty zostały usunięte ze strefy betoniarki przed jej włączeniem.

Przed użyciem urządzenia należy wymienić wszelkie uszkodzone, brakujące lub wadliwe części. Etykiety ostrzegawcze zawierają ważne informacje. Należy wymienić wszelkie brakujące lub uszkodzone etykiety ostrzegawcze.

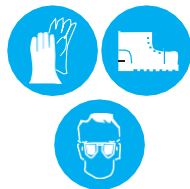


## OSTRZEŻENIA I INSTRUKCJE DOTYCZĄCE BEZPIECZEŃSTWA

SYMBOL UMIESZCZONY NA URZĄDZENIU

### NOSZENIE ODPOWIEDNIO DOBRANEJ ODZIEŻY

Nie nosić luźnej odzieży, rękawic, krawatów ani biżuterii (pierścionki, zegarki). Może dojść do ich wciągnięcia przez części ruchome. Podczas pracy zaleca się nosić ochronne rękawice elektroizolacyjne i obuwie antypoślizgowe. Należy nosić ochronną osłonę włosów, aby zabezpieczyć długie włosy przed zaplątaniem się w urządzenie. Jeśli wykonywana czynność wiąże się z powstawaniem atmosfery zapyłonej, należy nosić maskę na twarz lub półmaskę przeciwpyłową. Należy zawsze nosić okulary ochronne lub osłonę twarzy. Okulary użytku codziennego mają szkła odporne wyłącznie na uderzenia. Nie są to okulary ochronne.



### ZAKAZ UŻYWANIA PRZEWODU W NIEPRAWIDŁOWY SPOSÓB

Nigdy nie wolno transportować betoniarki ciągnąc za przewód lub odłączając od gniazdka szarpiąc za przewód. Trzymać przewód z dala od źródeł ciepła, oleju i ostrych krawędzi.

### PRZEDŁUŻACZE

Przedłużacz nie może mieć więcej niż 50 metrów długości. Przekrój przewodu musi wynosić 1,5 mm<sup>2</sup> na 230 V, aby umożliwić wystarczający przepływ prądu do silnika. Niewłaściwe użycie przedłużacza może powodować nieprawidłową pracę betoniarki, co może prowadzić do przegrzania lub uszkodzenia silnika.

Mogą być stosowane wyłącznie przedłużacze zgodne ze specyfikacją H07RN-F, przeznaczone do użytku zewnętrznego. Należy unikać luźnych i źle izolowanych połączeń. Połączenia muszą być wykonane z materiału ochronnego, odpowiedniego do użytku zewnętrznego. Należy upewnić się, że wszystkie połączenia przedłużacza są suche i bezpieczne. Należy upewnić się, że przedłużacz został starannie ułożony, nie dopuszczając do kontaktu z płynami, ostrymi krawędziami i miejscami, w których mogą po nim przejechać pojazdy. Należy unikać uwięzienia przedłużacza pod betoniarką. Należy go całkowicie rozwinąć, w przeciwnym razie może się przegrzać i wywołać pożar.

### UNIKANIE PORAŻENIA PRĄDEM

Sprawdzić, czy obwód elektryczny został wystarczająco zabezpieczony i czy odpowiada wartościom mocy, napięcia i częstotliwości silnika.

Nie wolno podłączać i odłączać silnika od gniazda przebywając na lub wokół wilgotnej lub mokrej ziemi. Nie wolno używać betoniarki w strefach mokrych lub wilgotnych, ani wystawiać na działanie deszczu. Zapobiegać kontaktowi ciała z uziemionymi powierzchniami, takimi jak rury, grzejniki, piece i obudowy lodówek.

Upewnić się, że palce nie dotykają metalowych wtyków wtyczki podczas włączania lub odłączania betoniarki.

### UNIEMOŻLIWIENIE DOSTĘPU OSOBOM POSTRONNYM I DZIECIOM

Osoby nieupoważnione powinny przebywać z daleka od betoniarki. Nie należy pozwalać dzieciom na bawienie się lub wspinanie na betoniarkę.



## **OSTRZEŻENIA I INSTRUKCJE DOTYCZĄCE BEZPIECZEŃSTWA**

SYMBOL UMIESZCZONY NA URZĄDZENIU

### **ZAKAZ POCHYLANIA SIĘ NAD PRACUJĄCYM URZĄDZENIEM**

Zawsze utrzymywać właściwą postawę i równowagę podczas załadowywania i rozładowywania betoniarki.

Stawanie na betoniarce jest zabronione. W przypadku przewrócenia się betoniarki lub przypadkowego kontaktu z częściami ruchomymi można doznać poważnych obrażeń. Nie wolno przechowywać niczego nad lub w pobliżu betoniarki, do czego dostęp można uzyskać wyłącznie stając na betoniarce.

### **UNIKANIE KONTUZJI W WYNIKU NIESPODZIEWANYCH WYPADKÓW**

Trzymać dłonie z daleka od części ruchomych. Nie wolno umieszczać żadnej części ciała lub narzędzi, takich jak łopata, we wnętrzu bębna podczas pracy urządzenia. Podczas pracy urządzenia nie wolno umieszczać rąk w prześwicie pomiędzy ramą a ramieniem wsporczym lub pomiędzy bębniem a ramieniem wsporczym.

### **ZAKAZ NADMIERNEGO OBCIĄŻANIA URZĄDZENIA**

Betoniarka będzie pracować lepiej i bezpieczniej ze swoją prędkością projektową. Należy zawsze obsługiwać urządzenie przestrzegając jego limitów wydajnościowych.

Nie wolno uruchamiać silnika, jeśli bęben jest w pełni załadowany. Nie wolno wylądzać betoniarki, jeśli jest napelniona betonem.

Nie wolno używać betoniarki do celów niezgodnych z jej przeznaczeniem.

Betoniarki nie wolno holować przy pomocy żadnego pojazdu.

### **NIGDY NIE WOLNO POZOSTAWIAĆ PRACUJĄCEJ BETONIARKI BEZ NADZORU**

Należy zaczekać do całkowitego zatrzymania się betoniarki.

### **ODŁĄCZANIE ZASILANIA**

Nigdy nie wolno otwierać osłony silnika przed odłączeniem betoniarki od zasilania. Należy odłączyć betoniarkę od zasilania jeśli nie jest ona użytkowana, przed jej przemieszczaniem, wykonywaniem regulacji, wymianą części, czyszczeniem lub przeprowadzaniem na niej prac. Przed rozpoczęciem serwisowania należy zapoznać się z instrukcją techniczną.

### **KONSERWOWANIE BETONIARKI Z NALEŻYTĄ DBAŁOŚCIĄ**

Po użyciu należy natychmiast wyczyścić urządzenie. Aby zapewnić najlepsze i najbezpieczniejsze działanie, betoniarka musi być utrzymywana w czystości.

Podczas konserwowania betoniarki można stosować wyłącznie oryginalne części zamienne producenta.

### **OCHRONA ŚRODOWISKA**

Należy przekazywać pozostałe materiały do autoryzowanego punktu zbiórki lub postępować zgodnie z przepisami obowiązującymi w kraju użytkowania betoniarki. Nie odprowadzać do ścieków, gleby lub wody.

### **MAGAZYNOWANIE NIEUŻYWANEGO URZĄDZENIA**

Jeśli urządzenie nie jest eksploatowane, należy je przechowywać w suchym miejscu, aby ograniczyć rdzewienie. Przechowywać betoniarkę poza zasięgiem dzieci i innych osób nieupoważnionych do






jej użytkowania.

## PRZYŁĄCZE ELEKTRYCZNE

## DANE TECHNICZNE

Betoniarka posiada podwójną izolację odpowiadającą Klasie II ochrony i stopień ochrony IP44D. Izolacja będzie skuteczna jeśli do napraw będą stosowane wyłącznie oryginalne części izolujące, a odległości pomiędzy izolacją pierwotną zostaną zachowane.

Podwójna izolacja  eliminuje potrzebę stosowania trójżyłowego przewodu uziemiającego i uziemionego systemu zasilania. Narzędzia o podwójnej izolacji mogą wykorzystywać dwu- lub trzyżyłowe przedłużacze.



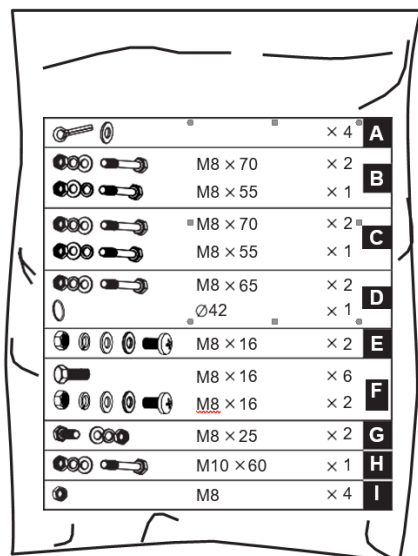
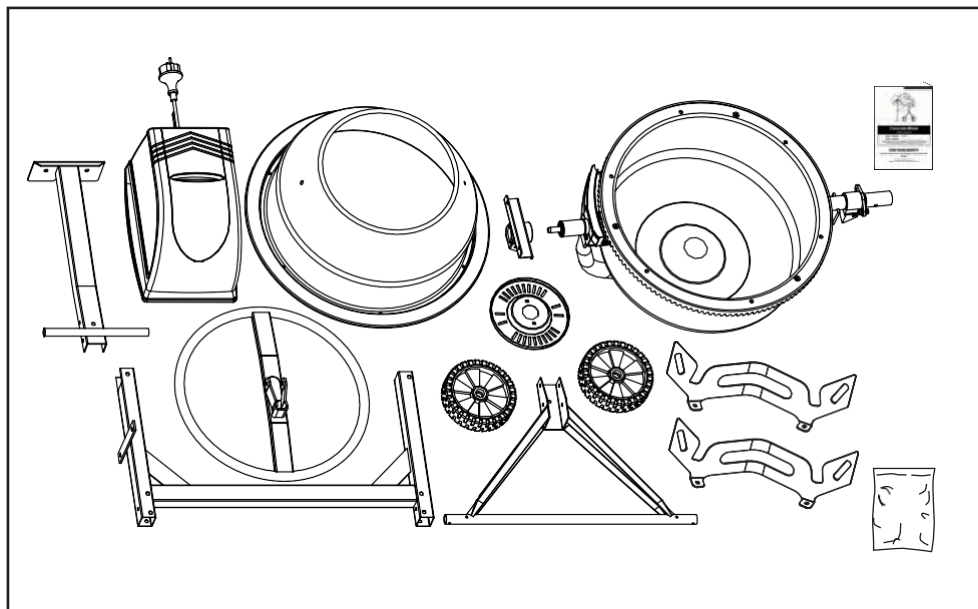
Nie wolno podłączać żadnego z rdzeni do sworznia uziemiającego.

Zaleca się stosować wyłącznik różnicowo-prądowy (RCD), (automatyczny włącznik zwarciovowy), na elementach elektrycznych 230 V. Jeśli stosowany jest przedłużacz, należy go podłączyć bezpośrednio do RCD.

Jeśli betoniarka jest użytkowana na terenie Szwajcarii, należy podłączać ją wyłącznie do gniazdek zabezpieczonych wyłącznikiem różnicowo-prądowym.

<b>Numer modelu</b>	<b>HCM450</b>	
<b>Silnik</b>	550 W S6 30%	
<b>Pojemność bębna</b>	125 litrów	
<b>Otwór wlotowy bębna</b>	380 mm	
<b>Prędkość bębna</b>	26,6/min	
<b>Wymiary ogólne</b>	<b>Dł.</b>	1200 mm
	<b>Szer.</b>	710 mm
	<b>Wys.</b>	1400 mm
<b>Ciężar</b>	51 kg	

## ZAWARTOŚĆ KONTENERA TRANSPORTOWEGO

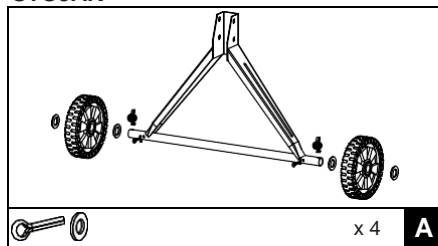


## INSTRUKCJE DOTYCZĄCE MONTAŻU

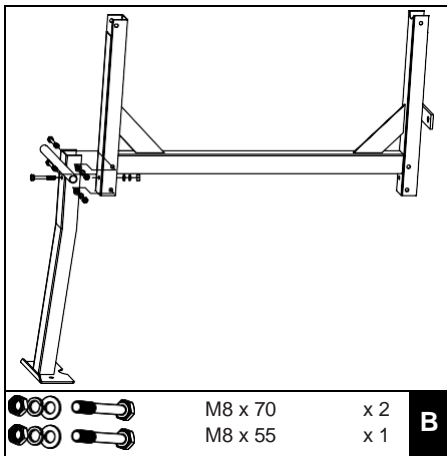


Zaleca się udział dwóch osób w montażu

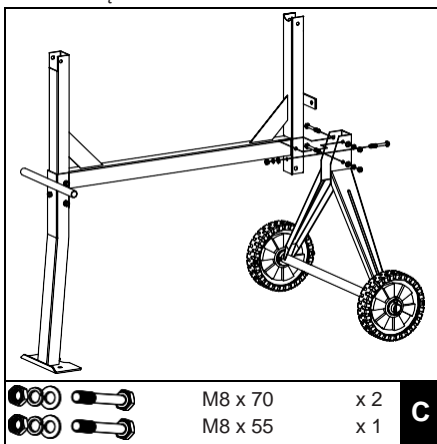
### STOJAK



Włożyć szplinty do otworów wewnętrznych osi każdego sworznia, umieścić podkładkę płaską, a następnie koło, a za nim kolejną podkładkę płaską. Włożyć kolejne szplinty w otwory osi zewnętrznych każdej podkładki płaskiej. Wygiąć boki szplintów na zewnątrz, aby nie wypadły.



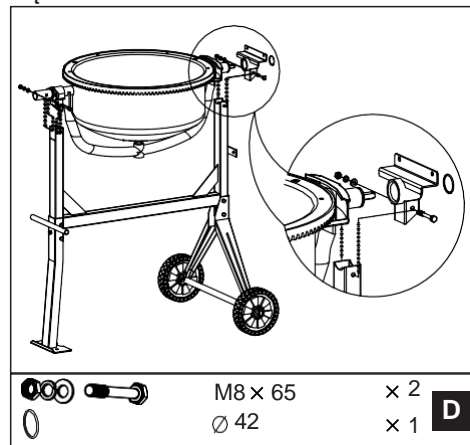
Położyć ramę na boku i przyczepić nogę wsporczą we wskazany sposób. Włożyć dwie śruby sześciokątne M8 X 70 przez otwory z jednej strony, a następnie podkładki płaskie, podkładki blokujące i nakrętki z drugiej strony. Dokręcić również śrubę sześciokątną M8 X 55 z podkładką blokującą i płaską do nakrętki na ramie. Dokręcić.



Obrócić ramę na drugą stronę i przymocować uchwyt osi z kołami w ten sam sposób.

Upewnić się, że wszystkie śruby i nakrętki zostały dokręcone.

## BĘBEN DOLNY

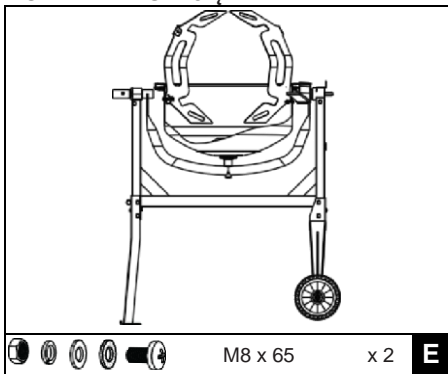


45. Nasunąć blok łożyskowy na wał. Przytrzymać w tym miejscu przy użyciu pierścienia spiralnego  $\varnothing 42$

Bęben dolny wraz z ramieniem wsporczym powinien zostać ostrożnie umieszczony przez dwie osoby na podporach bocznych stojaka w sposób pokazany na rysunku, tak aby bloki łożysk zostały wsunięte w kanały podpór bocznych. Wał o większej średnicy powinien znajdować się po stronie stojaka z nóżkami.

Po obu stronach wyrównać otwory w podporze bocznej z tymi w bloku łożyska i włożyć dwie śruby sześciokątne M8 X 65 z jednej strony, a następnie podkładkę płaską, podkładkę blokującą i nakrętkę z drugiej strony. Dokręcić przy użyciu klucza.

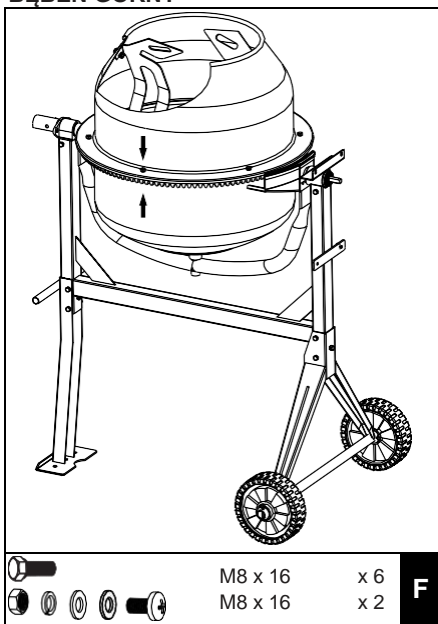
## ŁOPATY MIESZAJĄCE



Łużno zamontować łopaty mieszające wewnątrz bębna dolnego we wskazany sposób - w podstawie bębna znajdują się dwa otwory, w które można od zewnątrz włożyć śrubę M8 X 16. Podkładkę skórzaną, płaską, blokującą i nakrętkę należy luźno nałożyć od wewnątrz. Podkładka skórzana powinna zostać umieszczona pod łopatką w dole na bębnie.

**UWAGA:** Dwie strzałki zostały umieszczone na górnym i dolnym bębnie, aby można było je odpowiednio wyrównać. Jeśli wystąpią jakiegokolwiek trudności z poprawnym umieszczeniem łopatek mieszających, pomocne jest tymczasowe zamontowanie bębna górnego na górze bębna dolnego i obracanie go do momentu wyrównania się strzałek.

### BĘBEN GÓRNY



46. Umieścić bęben górny na bębnie dolnym nad obręczą, upewniając się, że otwory montażowe są wyrównane tak samo dobrze jak strzałki.

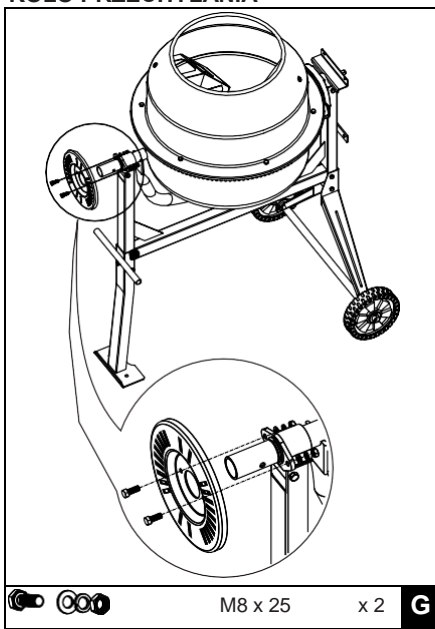
Wkręcić śrubę sześciokątną M8 X 16 z podkładką blokującą i płaską w każdy otwór gwintowany w obręczy/pierścieniu. Upewnić się, że dokręcanie jest wykonywane stopniowo.

Przymocować łopaty mieszające do bębna górnego wkładając dwie śruby z łbem krzyżowym M8 X 16 od zewnątrz przez otwory w bębnie.

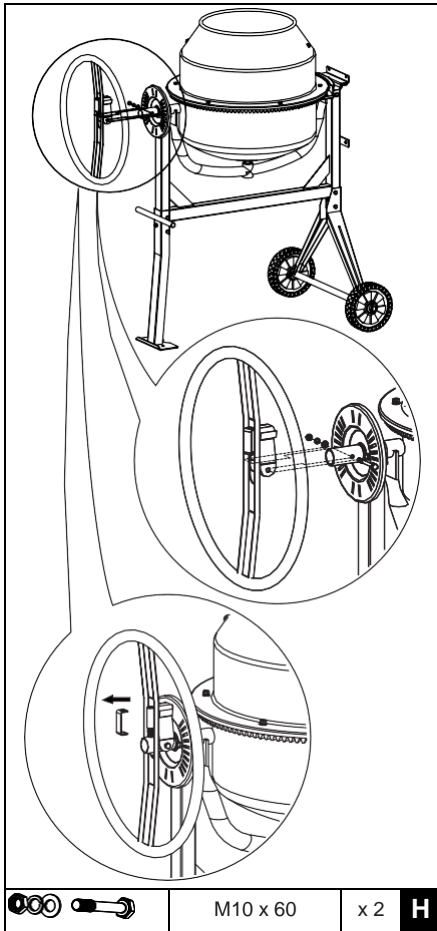
Skórzana podkładka powinna zostać umieszczona wewnątrz pomiędzy bębniem a łopatką. Przymocować łopatkę mieszającą od wewnątrz używając płaskiej podkładki, podkładki sprężynowej i nakrętki.

Na koniec należy upewnić się, że górne i dolne elementy mocujące łopatki mieszającej są szczelne.

### KOŁO PRZECHYLENIA



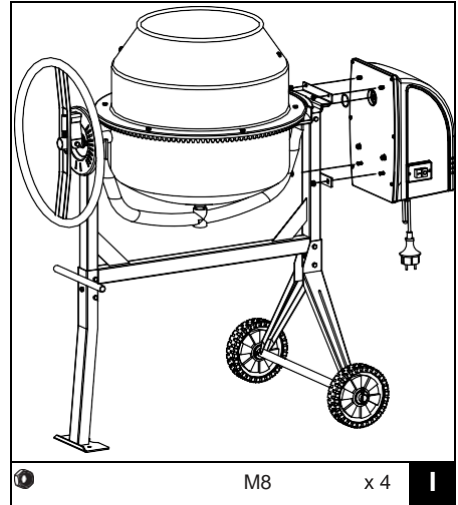
47. Wsunąć płytę blokującą nad wał o dużej średnicy na końcu ramy z nogami z obręczą skierowaną do wewnątrz, jak przedstawiono na rysunku. Przymocować przy użyciu dwóch śrub M8 X 25, każdą wraz z nakrętką, podkładką blokującą i płaską.



Sprężyna jest zaciskana w swoim uchwycie przy użyciu płytki w kształcie litery U, w celu łatwiejszego montażu. Wsunąć koło na wał o większej średnicy do momentu aż otwory w klamrze zostaną wyrównane z wywierconym otworem. Wprowadzić śrubę sześciokątną M10 X 60 i nałożyć z drugiej strony nakrętkę wraz z podkładką płaską i blokującą. Dokręcić nakrętkę mocno do klamry, ale nie tak mocno, aby koło nie mogło się obracać wokół śruby. Zwolnić sprężynę wyjmując płytkę w kształcie litery U.

**UWAGA:** Koło musi mieć możliwość obracania się wokół śruby, tak aby zaczepy w klamrze mogły się zacześć lub wysuwać z otworów w płycie blokującej.

### OBUDOWA PRZEKŁADNI



Wyrównując rowki klinowe, nasunąć obudowę przekładni na wał zębaty. Przymocować obudowę do ramy przy użyciu czterech nakrętek M8.

## INSTRUKCJA OBSŁUGI

### PRZECHYLANIE BĘBNA

Sprężynowe koło przechylania z zaczepami blokującymi zapewnia łatwe i skuteczne sterowanie bębniem, który może zostać zablokowany w pozycji mieszania, wyładowywania i przechowywania.

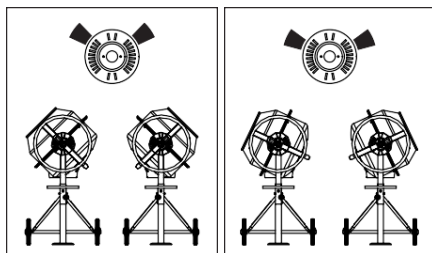
Bęben jest blokowany w określonej pozycji przy użyciu zaczepów na samoblokującym się kole przechylenia, które zaczepiają się w płycie blokującej na ramie betoniarki. Aby przechylić bęben, należy odciągnąć koło przechylenia i odblokować zaczepy blokujące. Następnie można obracać koło przechylenia i bęben w tym samym kierunku.

Aby umieścić bęben w określonej pozycji należy wyrównać zaczepy ze szczelinami, lekko zwolnić koło przechylenia, jednocześnie utrzymując pozycję bębna. Obracać koło przechylenia do momentu, aż zaczepy blokujące zaczepią się w płycie blokującej na ramie betoniarki.

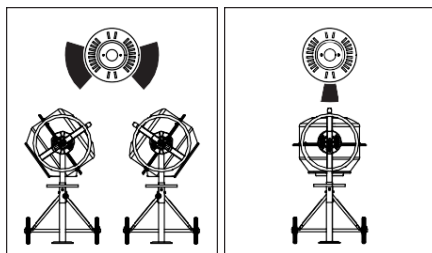
### Pozycja załadowywania/mieszania

Dla zaprawy

Dla betonu



### Pozycja opróżniania Pozycja przechowywania



### ŁADOWANIE



Należy całkowicie rozwinąć przedłużacz. W pierwszej kolejności podłączyć zasilanie do betoniarki.



Przed załadowaniem bębna należy zawsze najpierw uruchomić urządzenie. Ładowanie bębna przy obracającym się bębnie.



Nie wolno wrzucać materiału do betoniarki, aby uniknąć jego przyklejania się do części tylnej bębna. Ściekać go równą strużką nad ubijakiem.

**UWAGA:** Silnik posiada wbudowane zabezpieczenie termiczne chroniące go przed przegrzaniem. Zabezpieczenie termiczne jest automatycznie przywracane, gdy silnik ostygnie.

Aby uzyskać najlepsze rezultaty, postępować w następujący sposób:

48. Dodać wymaganą ilość żwiru do bębna.

Dodać wymaganą ilość betonu do bębna.

Dodać wymaganą ilość piasku do bębna.

Dolać wymaganą ilość wody do bębna.

### OPRÓŻNIANIE



Nie wolno wyłączać betoniarki, gdy jest w pełni załadowana. Opróżnianie bębna przy obracającym się bębnie.

### CZYSZCZENIE



Nigdy nie wolno wkładać dłoni do wnętrza bębna, kiedy ten się obraca.

Pod koniec każdego dnia pracy należy dokładnie wyczyścić betoniarkę. Utrzymywać betoniarkę w czystości. Najmniejsze ślady materiału pozostawionego wewnątrz bębna z czasem stwardnieją i będą powodować dalsze odkładanie się materiału podczas użytkowania urządzenia, do momentu aż stanie się ono bezużyteczne. Wyszuszonego cementu nie należy wyrzucać do bębna. Nie wolno wrzucać cegieł do bębna betoniarki w celu jego wyczyszczenia. Nie uderzać bębna łopatą, młotkiem lub innymi narzędziami w celu usunięcia nagromadzonej suchej mieszanki cementu, ponieważ można w ten sposób uszkodzić betoniarkę. Bęben można czyścić przez ok. 2 minuty, używając 1" mieszanki żwiru i wody. Następnie należy odprowadzić mieszankę żwiru/wody i dokładnie wypłukać zespół bębna na zewnątrz i od wewnątrz. Budowa betoniarki o stopniu ochrony IP44D umożliwia bezpieczne przepłukiwanie zespołu bębna węzłem wodnym.



Nie wolno łąć lub rozpylać wody bezpośrednio na obudowę silnika, szczególnie na znajdujące się w niej otwory.

Zetrzeć wszelkie materiały z części zewnętrznej obudowy. Nie wolno stosować benzyny, terpentyny, rozcieńczalnika do farb, płynów do czyszczenia na sucho lub podobnych produktów. Zastosowanie produktów lub rozpuszczalników chemicznych może wpływać na właściwości obudowy, która została wykonana z tworzywa polietylenowego PET o wysokiej gęstości.



## INSTRUKCJE DOTYCZĄCE KONSERWACJI



Zawsze przed zdjęciem obudowy silnika należy się upewnić, czy przedłużacz został odłączony od zasilania.

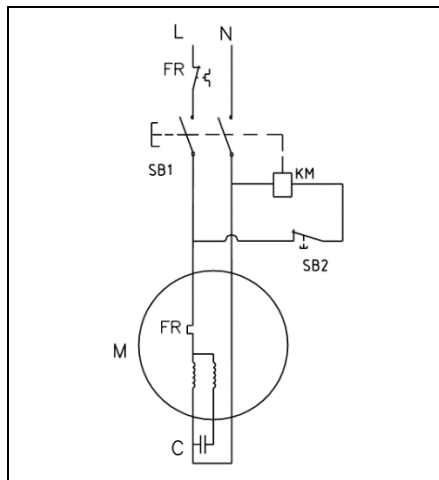
Pasek napędowy jest stale i równomiernie naprężony przez sprężynowe koło pasowe napinające. Nie są wymagane żadne regulacje poza nieznacznym nasmarowaniem wrzeciona. Łożyska są uszczelnione na cały okres eksploatacji.



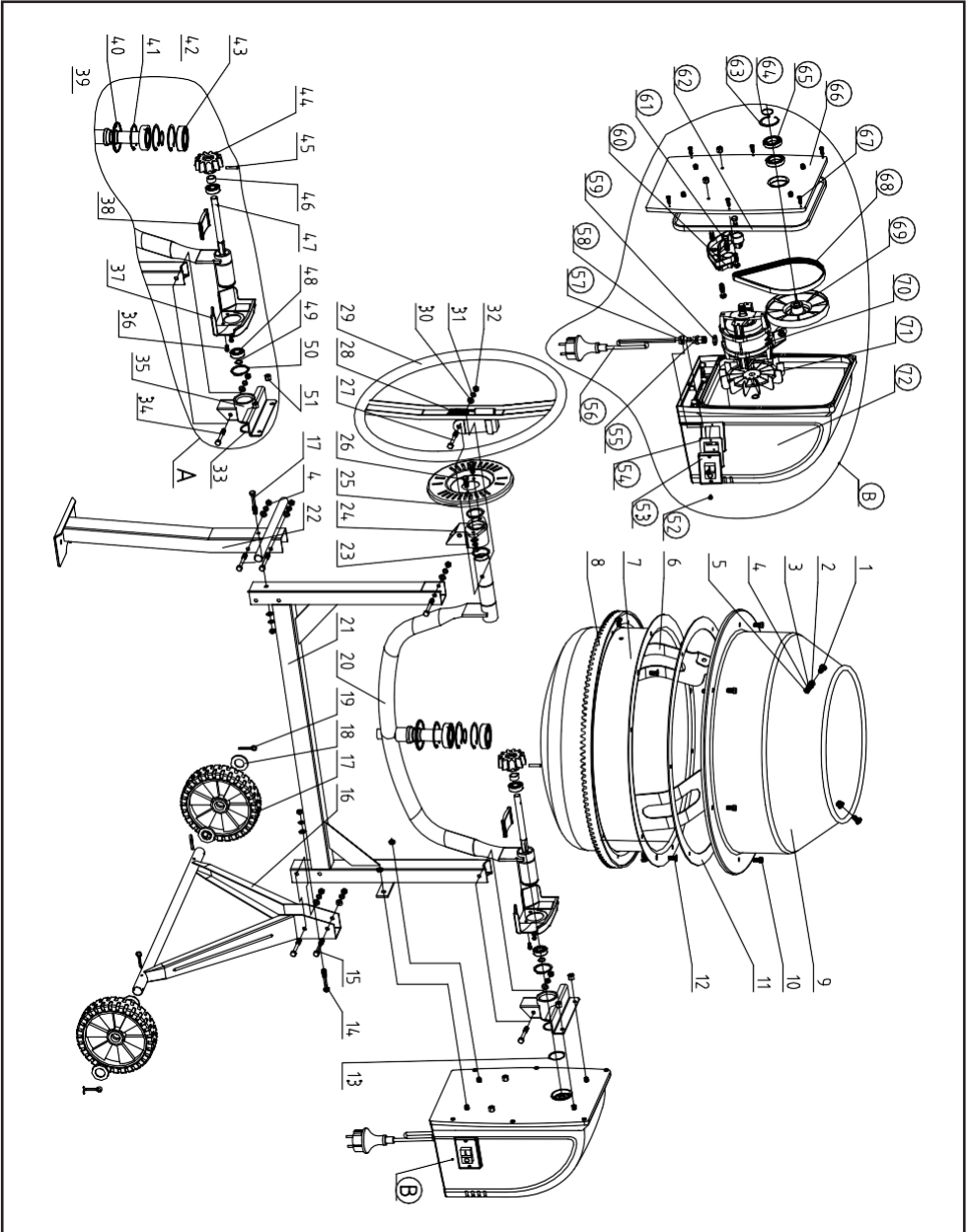
Schemat elektryczny i rysunek schematyczny części zawarte w niniejszej instrukcji mają znaczenie jedynie referencyjne. Zarówno producent, jak i dystrybutor nie składają kupującemu żadnych oświadczeń ani gwarancji, że jest on lub ona uprawniony(-a) do dokonywania jakichkolwiek napraw produktu lub że jest uprawniony(-a) do wymiany jakichkolwiek części produktu. Betoniarke powinny naprawiać wyłącznie wykwalifikowani technicy. Wszelkie czynności konserwacyjne lub naprawcze dowolnych komponentów elektrycznych muszą być przeprowadzane przez wykwalifikowanego elektryka. Części zaznaczone pętlą powinny być montowane wyłącznie przez wykwalifikowanego elektryka.



## SCHEMAT ELEKTRYCZNY



# RYSUNEK SCHEMATYCZNY CZĘŚCI





## **Deklaracja zgodności UE**

**Firma**

**Kesko Corporation Group Companies,**

**Adres: Satamakatu 3, FI-00160, Helsinki, Finlandia**

**Telefon: +358-10 53032 Faks: +358-9 857 4783**

**na własną odpowiedzialność potwierdza, że urządzenie:**

Sprzęt: Betoniarka

Marka: FXA

Model/typ: 502039977/HCM450

**jest zgodne z niniejszymi przepisami:**

Dyrektywa maszynowa (MD) 2006/42/WE

Dyrektywa kompatybilności elektromagnetycznej (EMC) 2014/30/UE,

**oraz że zastosowano następujące normy zharmonizowane i specyfikacje techniczne:**

EN 12151:2007

EN 60204-1: 2006+A1:2009

EN 55014-1: 2006/A1:2009/+A2:2011

EN 55014-2: 2015

EN 61000-3-2:2014

EN 61000-3-3:2013

Helsinki, Finlandia, 11.2018

**Kesko Corporation Group Companies,**



Manufactured for • Valmistuttaja • Tillverkad för • Producers for • Toode tud • Ražošanas pasūtītājs • Kienoužsakymu pagaminta •  
Wyprodukowano dla • Kesko Corporation Group Companies, Kesko Oyj PL 50, 00016 Kesko © Kesko 2019. Made in China. Dystrybucja  
w Polsce; Onninen sp. z o.o., Ul. Emaliowa 28, 02-295 Warszawa, www.onninen.pl Onninen sp. z o.o. jest częścią Grupy Kesko Oyj.