

FXA

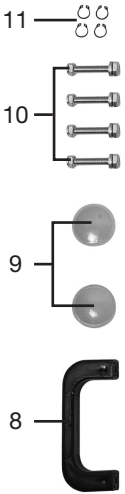


FXA502018666

Instruction manual (Original instructions)
Käyttöohje (Alkuperäisten ohjeiden käännös)
Bruksanvisning (Översättning av originalinstruktionerna)

GB pg 11-18
FI pg 19-26
SE pg 27-34

(1)



7

6

5

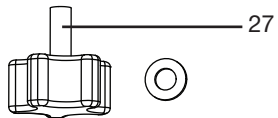
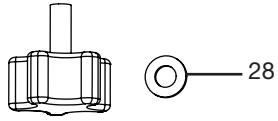
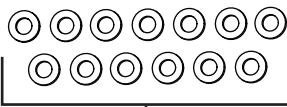
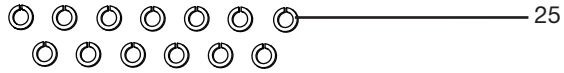
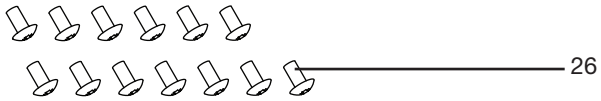
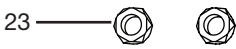
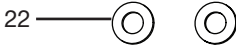
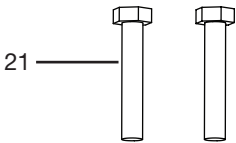
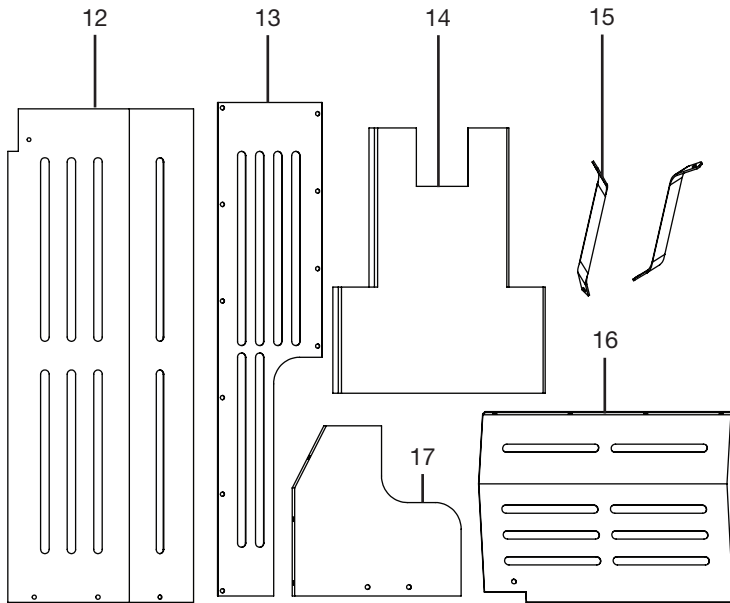
4

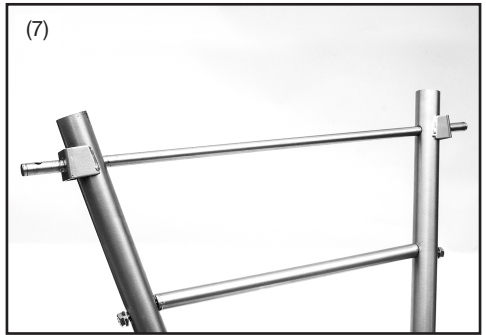
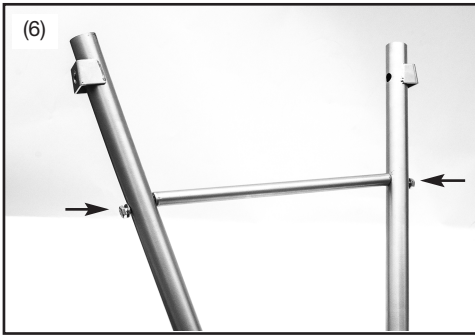
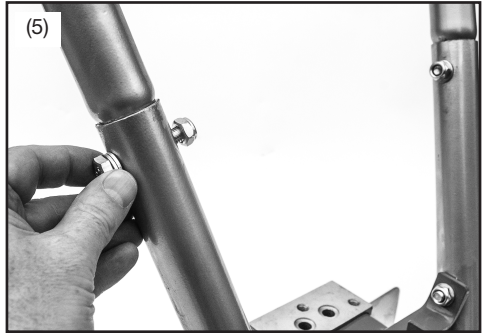
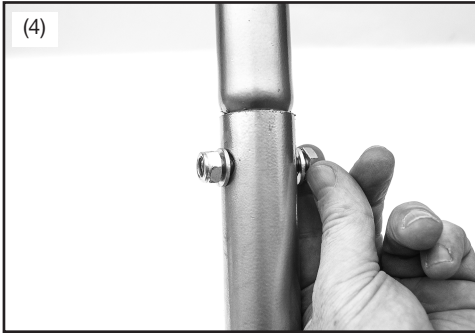
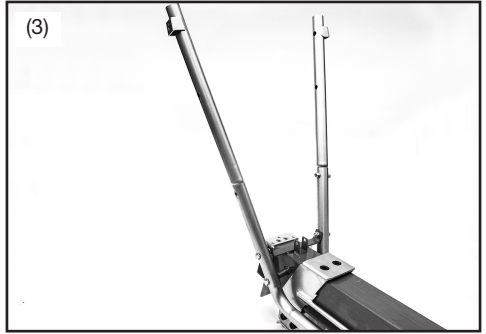
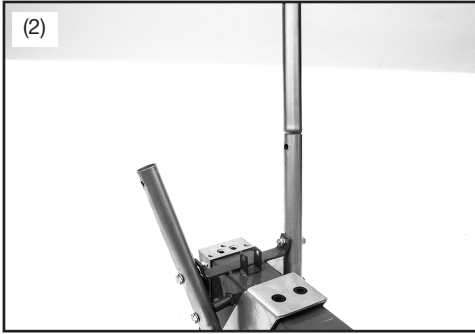
3

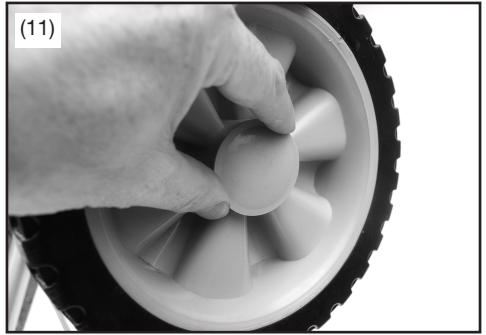
2

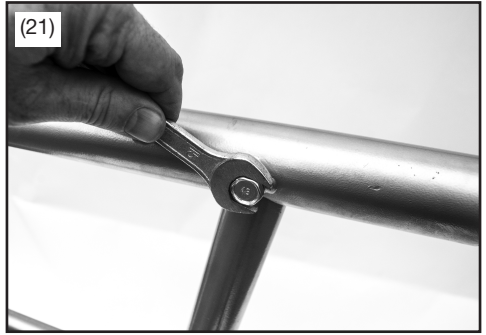
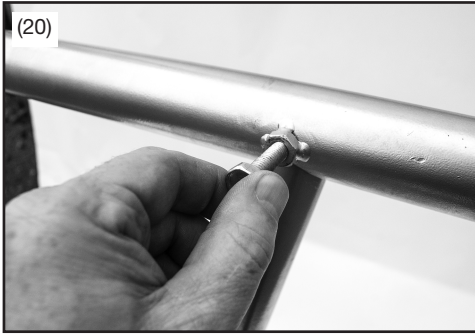
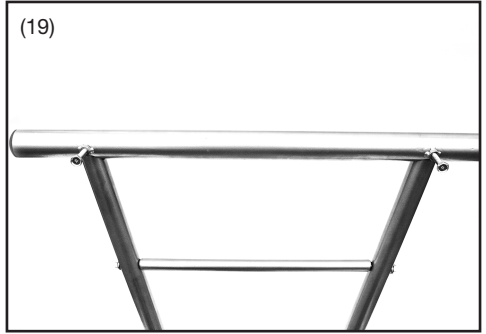
2

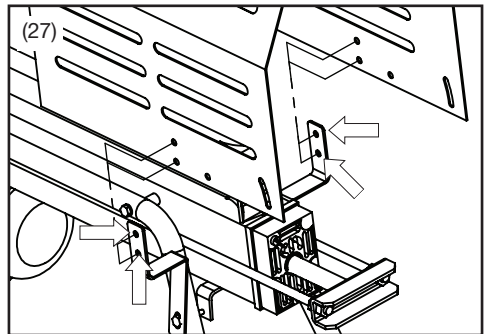
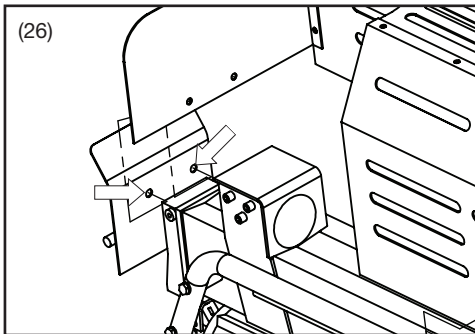
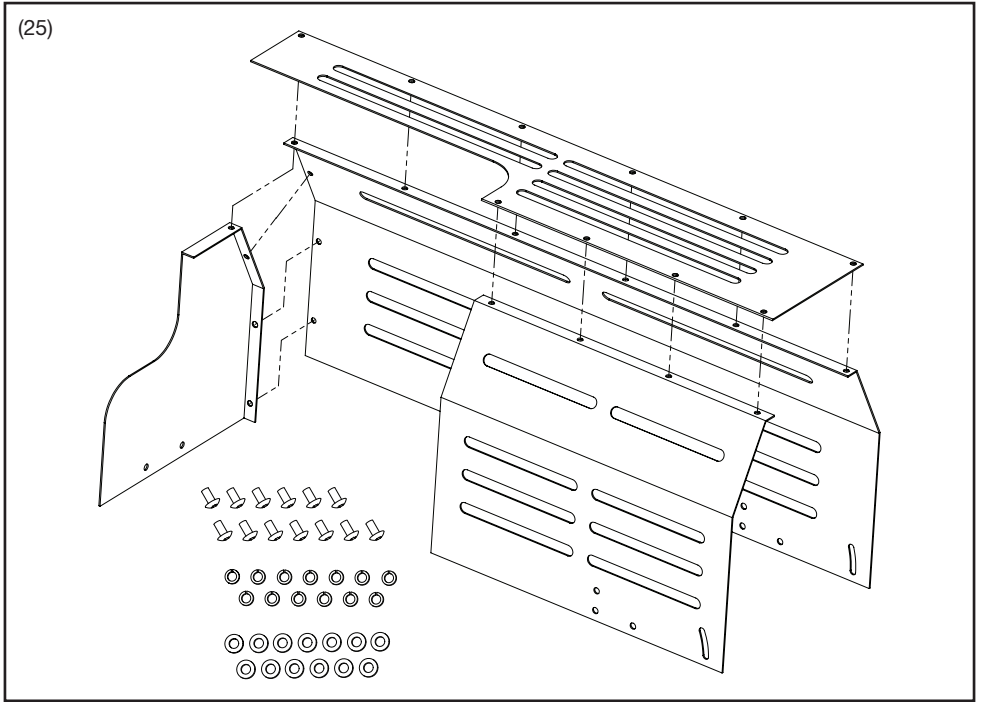
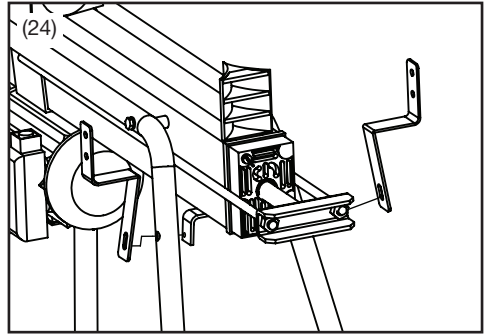
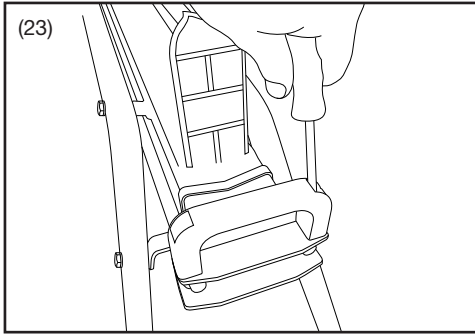
(1A)

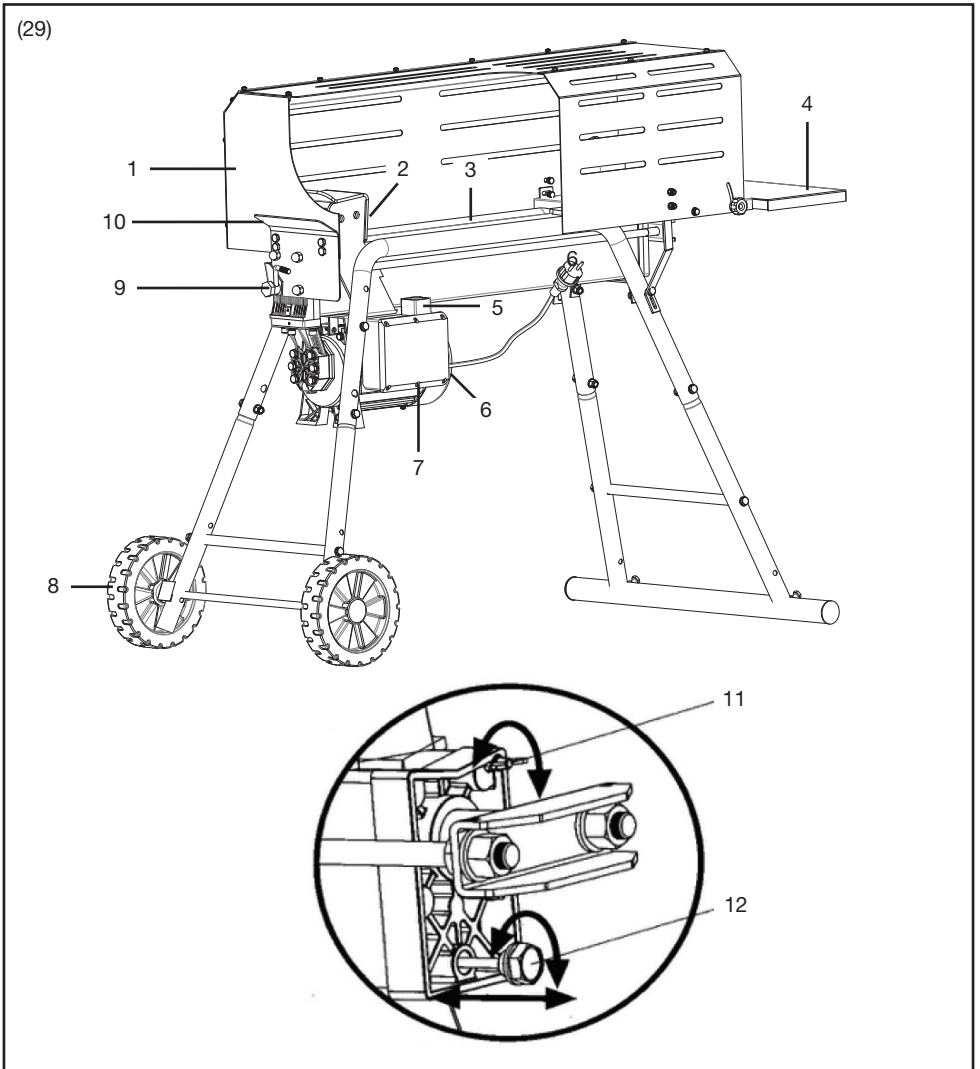
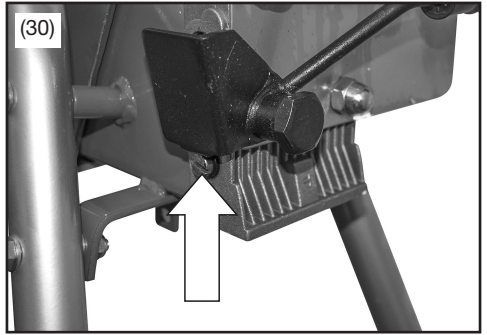
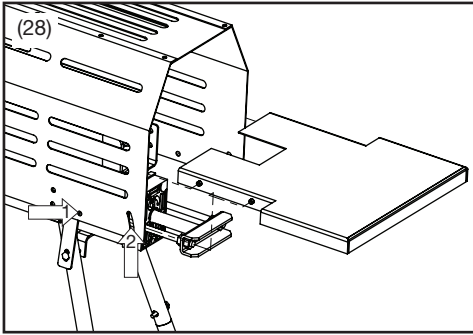


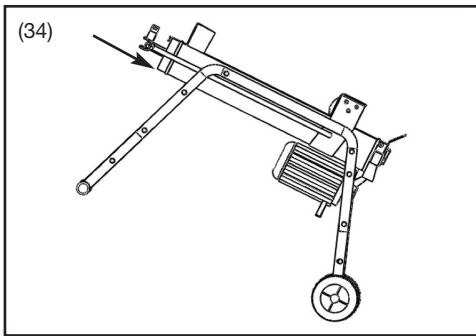
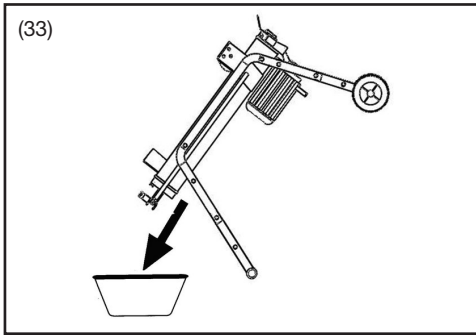
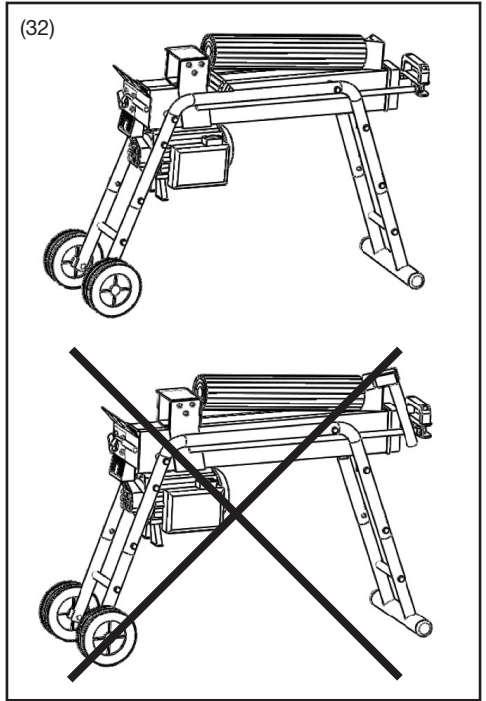
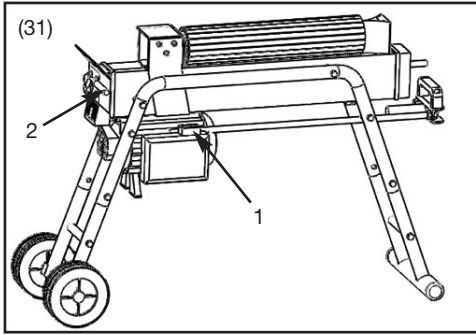












IMPORTANT!	Read all safety warnings, instructions, illustrations and specifications provided with this power tool.
TÄRKEÄÄ!	Lue tarkkaavaisesti kaikki tämän työkalun kanssa toimitetut varoitukset, ohjeet ja spesifikaatiot, ja katso lisäksi kuvat.
VIKTIGT!	Läs uppmärksamt alla varningar, instruktioner och specifikationer som bifogas med detta verktyg och studera bilderna.
VIKTIG!	Les nøye gjennom alle advarslene, instruksene og spesifikasjonene som følger med verktøyet, og se på tegningene.
ВАЖНО!	Прочтите все указания, инструкции, иллюстрации и спецификации, поставляемые с электроинструментом.
TÄHTIS!	Lugege läbi kõik elektrilise tööriista kohta esitatud ohuhoiatused ning tutvuge tööriista jooniste ja tehniliste andmetega.
SVARĪGI!	Izlasiet visus drošības brīdinājumus, instrukcijas, specifikācijas un apskatiet attēlus šī elektroinstrumenta dokumentācijā.
SVARBU!	Perskaitykite visus saugos įspėjimus, visas instrukcijas, paveikslėlius ir techninius reikalavimus, pateikiamus su šiuo elektriniu įrankiu.

INTRODUCTION

Thank you for purchasing this product which has passed through our extensive quality assurance process. Every care has been taken to ensure that it reaches you in perfect condition.

SAFETY FIRST

Before attempting to operate this power tool the following basic safety precautions should always be taken to reduce the risk of fire, electric shock and personal injury. It is important to read the instruction manual to understand the application, limitations and potential hazards associated with this tool.

CERTIFICATE OF GUARANTEE

This product is guaranteed for a period of 2 Years, with effect from the date of purchase and applies only to the original purchaser. This guarantee only applies to defects arising from, defective materials and or faulty workmanship that become evident during the guarantee period only and does not include consumable items. The manufacturer will repair or replace the product at their discretion subject to the following. That the product has been used in accordance with the guide lines as detailed in the product manual and that it has not been subjected to misuse, abuse or used for a purpose for which it was not intended. That it has not been taken apart or tampered with in any way whatsoever or has been serviced by unauthorised persons or has been used for hire purposes. Transit damage is excluded from this guarantee, for such damage the transport company is responsible. Claims made under this guarantee must be made in the first instance, directly to the retailer within the guarantee period. Only under exceptional circumstances should the product be returned to the manufacturer. In these cases it shall be the consumer's responsibility to return the product at their cost ensuring that the product is adequately packed to prevent transit damage and must be accompanied with a brief description of the fault and a copy of the receipt or other proof of purchase. The manufacturer shall not be liable for any special, exemplary, direct, indirect, incidental, or consequential loss or damage under this guarantee. This guarantee is in addition to and does not affect any rights, which the consumer may have by virtue of the Sale of Goods Act 1973 as amended 1975 and 1999.

STATUTORY RIGHTS

This guarantee is in addition to and in no way affects your statutory rights.

PRODUCT DISPOSAL

When this product reaches the end of its life or is disposed of for any other reason, it must not be disposed of in household waste. In order to preserve natural resources, and to minimise adverse environmental impact, please recycle or dispose of this product in an environmentally friendly way. It should be taken to your local waste recycling centre or other authorised collection and disposal facility.

If in doubt consult your local waste authority for information regarding available recycling and / or disposal options.

SPECIFIC SAFETY INSTRUCTIONS

Read this manual carefully. Become familiar with the uses and limitations of the device as well as the possible hazards associated with it.

Do not use this log splitter when under the influence of narcotic substances, alcohol or medication affecting your ability to control the device.

Never stand on top of the machine. Always stand in a solid position maintaining your balance. Do not store any goods above the log splitter or close to it so that no one will get on to the machine to reach them.

Do not ever leave the machine unsupervised when the power is connected (switch at "on" position). After use, ensure that the machine is disconnected from the power supply. Never leave the machine before you have ensured that it has stopped totally.

Every time you adjust, transfer or maintain the machine, ensure first that it is completely disconnected from the power supply.

This machine may only be used by one person at a time. This machine may only be used by responsible adults who have read the manual and have understood its contents.

Always take care that the power cable is fully protected.

Always take care that the machine is inspected for possible damage before use. Take care that the machine is appropriately maintained.

Always maintain a safety gap between your hand and the log as well as between the log pusher and splitting wedge.

Do not attempt to place a log in the log splitter when the pump is moving.

Keep your hand a good distance away from the cracks and fractures that open up in the log; these may close suddenly.

Do not force the blade splitting the log with the upper part of the blade. This may break the blade or damage the frame of the machine. Always place the log on the support.

Never ask others to help you in freeing a jammed log.

Do not use a machine equipped with an electric motor if the air contains gas, petrol vapour or other inflammable vapours.

Ensure that the power supply is properly protected and that it corresponds to the power rating, voltage and frequency of the motor; check also that the power supply is earthed, and that it is connected to a control differential switch.

Earth the log splitter. Avoid physical contact with earthed objects such as pipes, radiators, daughters and the frames of refrigerators.

Ensure that your finger does not touch the metal tip of the plug when you are connecting it to an electrical socket or disconnecting it from an electrical socket.

Use a cable with a diameter of at least 2.5mm². Avoid the use of free and inadequately insulated connections. The connection must be made to be suitable for outdoor use by using an insulated cable. The use of an extension cable that is too long or too thin may cause a reduction in voltage, which will prevent the motor from working at full power. Take care that the extension cable is no longer than 10 metres.

SAFETY OBSERVATIONS

Warning! Protective and safety equipment must not be tampered with and neither should it be removed.

Danger! Danger of cutting and crushing a hand; do not ever touch dangerous areas while the log splitter is in operation.

Warning: always pay attention to the movement of the log splitter.

Warning: do not ever detach a log jammed on the wedge by hand.

Warning: Voltage according to the VIN plate.

SPECIAL WARNING CONCERNING THE USE OF THE LOG SPLITTER

Use of this high powered may lead to particularly dangerous situations. Take good care of the safety of yourself and of others.

HYDRAULIC SYSTEMS

Do not ever use this machine if the hydraulic system is not in a safe condition. Before you start to use the machine, check the hydraulic system for leaks. Take care that the machine and the work area are clean and that there are no oil leaks. The hydraulic fluid may cause hazardous situations; you may slip on the liquid and fall, your hands may slip as you are using the machine, or the fluid may give rise to a fire hazard.

ELECTRICAL SAFETY

Never use this machine when the electrical connections are not in a safe condition. Never use electrical equipment in wet conditions. Never use this machine when connected to a dangerous electrical cable or extension cable. Never use this equipment unless it is firmly connected to an earthed electric plug that has a voltage suitable for the machine and which is protected with a 10 A fuse.

THREATS TO PHYSICAL HEALTH

Log splitting may give rise to situations that are particularly hazardous physically. Never use this equipment without proper safety gloves (ones that do not conduct electricity), hard toed and non-slip boots and approved eye protectors. Beware of splinters arising from splitting; these can cause injuries and

may jam the machine. Use a hair protector so that hair does not get near the machine or get caught in the machinery.

Do not use loose clothing, ties or jewellery (rings, watches, etc.). They may get stuck in the machine's moving parts.

Never attempt to split logs that are too large or small to fit the machine properly.

Never attempt to split logs that contain nails, steel wire or other components that can damage the machine

Tidy up as you work: accumulated wood fragments and chips can create a dangerous work environment.

Never continue work in a work environment full of materials that can cause you to slip, stumble or fall. Keep onlookers at a distance from the machine; never allow outsiders to use the machine. Onlookers (people and animals) must remain at a distance of at least 5 metres from machine.

Ensure that the work area is well lit.

CAUTION: No list of warnings can be fully comprehensive. The user must apply their common sense and use the machine safely.

Before starting work, the basic procedures relating to safety should be gone through.

PROPERTIES OF THIS LOG SPLITTER

Due to portable, lightweight and built-in wheels, it is easy to move and transfer the machine.

Force. Wood is split rapidly with the machine's 6 ton force.

Works with electric power. Because of the handy and reliable electrically powered hydraulic system, the inconvenience and expense incurred from the maintenance of a small fuel engine is avoided. Simply connect the machine to a power source and start splitting.

Hydraulic pump. The efficient hydraulic pump splits logs safely and in a controlled manner without axes, sledgehammers or wedges.

Two-hand safety control. The inbuilt safety pattern keeps your hand far from the log and the machine during use.

SPECIAL SAFETY INSTRUCTIONS FOR THE LOG SPLITTER

Before you start the machine, check the condition of the overload protection device and protective plate.

Before you start the machine, ensure that there is no oil leaking from the machine and that the level of the hydraulic oil is between the grooves on the oil dipstick.

Do not use the machine without the guards installed. Doing so could result in serious injury to the user.

Before you start the machine, check the condition of the log splitter. Keep protective equipment in its place and in good condition. Make it your habit to check that all work tools have been removed from the work area before starting the machine. Change damaged, missing or and delivered partners before using the machine.

Start the machine without a load and check that it is in working order.

Keep in mind of possible hazards does situations that can develop with the splitting of certain types of logs (e.g. logs that are bumpy or have irregular forms).

Remember to always use a Portable Residual Current Device (PRCD) if the electric system does not have a fault current switch of at least 0.03 A.

Never split logs that are larger than the log size specified in the manual. Never attempt to split logs that contain parts such as nails or steel wire that are hazardous to the operation of the machine.

The log's lower surface should be cut evenly and there should be no branches in the log. The log should be split in the direction of the wood grain. Never place the log in a vertical position on the log splitter.

The user must always operate the control device with both hands. The control device must not be used in any other way.

Place the machine on a horizontal and stable supporting surface. Ensure that there is plenty of room to move around the machine. Ensure that there are no objects on the supporting surface that could prevent the free movement of machine. For this purpose, we recommend the use of a log splitter stand. Never use the machine on the ground. Attach the log splitter to a work base if it moves from its place.

Danger! Never split two logs at the same time.

Danger! Never add the next log or change a log while the machine is in operation.

Danger! Never tamper with the log splitter's protective equipment and do not use the machine without protective equipment.

Warning! Never force the log splitter for longer than five seconds when you attempt to split particularly hard wood. When this time period has expired, the oil can overheat. Change the position of a particularly hard log by 90° to see if it can be split in the other direction. If you are unable to split the log, this means that the wood hardness exceeds the machine's capability.

Forbidden! Never open the switch box or the cover of the electric motor. Contact a qualified electrician if necessary.

Warning! Take care that the machine and the electrical cable remain far from water. Handle the electrical cable with care.

Never jerk or tear the electrical cable. Keep the electrical cable far from high temperatures, of oil and sharp objects.

WHATS IN THE BOX (FIG.1 & 1A)

1.	Log splitter
2.	Wheel x 2
3.	Wheel shaft
4.	Horizontal shaft with 2 inner hexagon bolts (M6 x 35) and washers x 2
5.	Horizontal leg with 2 bolts
6.	Front leg x 2
7.	Back leg x 2
8.	Handle
9.	Wheel cover x 2
10.	Inner hexagon bolt (M8 x 45) x 4, washers x 8, nut x 4
11.	Circlip x 4
12.	Cover A
13.	Top cover
14.	Log catcher
15.	Wood supporting bracket x 2
16.	Cover B
17.	Side cover
18.	Outside hex bolts (M6x12) 6pcs
19.	Gasket (Ø6) 4pcs
20.	Lock nut (M6) 4pcs
21.	Outside hex bolts (M8x16) 2pcs
22.	Gasket (Ø8) 2pcs
23.	Lock nut (M8) 2pcs
24.	Gasket (Ø5) 13pcs
25.	Spring washer (Ø5) 13pcs
26.	Outside hex bolt (M5x10) 13pcs
27.	Knob 2pcs
28.	Gasket (Ø6) 2pcs

UNPACKING & ASSEMBLY

WARNING! The tool should never be connected to a power supply when you are assembling parts, making adjustments, cleaning, performing maintenance, or when the tool is not in use. Disconnecting the tool will prevent accidental starting that could cause serious injury.

Take the parts from box and check that all the packages are in good order and undamaged. If a part missing or if some part is faulty, contact the dealer immediately.

ASSEMBLING THE BACK LEGS

1. Turn the log splitter upside down and attach the two back legs to the log splitter, Fig.2 & 3
2. Attach the back legs to the log splitter with 2 Inner hexagon bolts as shown in Fig.4 & 5. only finger tighten the bolts at this stage.
3. Install the horizontal shaft into the holes on the back leg and finger tighten the bolts, Fig.6.
4. Slide the wheel shaft through the holes at the bottom of the back legs, Fig.7.
5. Attach a circlip into the recessed area on one side of the wheel shaft, Fig.8. To open the circlip you will need some circlip pliers.
6. Install a wheel onto the wheel shaft so it sits against the circlip, Fig.9.
7. Attach another circlip onto the wheel shaft to hold the wheel in place, Fig.10.
8. Install the wheel cover onto the wheel, Fig.11.
9. Repeat steps 5-8 to attach the second wheel to the wheel shaft.
10. Tighten all the bolts with a spanner that were previously finger tightened , Fig.12 & 13.

ASSEMBLING THE FRONT LEGS

1. With the log splitter still upside down, attach the two front legs to the log splitter, Fig.14.
2. Attach the front legs to the log splitter with 2 Inner hexagon bolts as shown in Fig.15 & 16. only finger tighten the bolts at this stage.
3. Install the horizontal shaft into the holes on the back leg and finger tighten the bolts, Fig.17 & 18.
4. Insert the horizontal leg onto the two front legs, Fig.19.
5. Finger tighten the bolts, Fig.20.
6. Tighten all the bolts with a spanner that were previously finger tightened , Fig.21.

When the legs are attached ensure that all fastening bolts are fully tightened with a spanner.

The fully assembled log splitter should look like the picture in Fig.22.

ATTACHING THE HANDLE

1. Attach the handle to the front of the machine with the 2 screw provided, Fig.23.

ATTACHING THE GUARD

1. Unscrew the bolts attached to the upper parts of the front legs and connect the wood supporting brackets. Screw the bolts back into place, Fig.24.

2. Connect the guard as shown in Fig.25 with the outside hex bolts (M5x10), spring washers (Ø5) and gaskets (Ø5). There are 13 pieces of each.
3. Attach the guard to the log splitter. Connect the rear of the guard using 2 x outside hex bolts (M8x16), 2 x gasket (Ø8) and 2 x lock nuts (M8), Fig.26.

Connect the sides of the guard using 4 x outside hex bolts (M6x12), 4 x gasket (Ø6) and 4 x lock nuts (M6), Fig.27.

4. Connect the log catcher to the guard at attachment points 1 & 2, Fig.28. For attachment point one use 1 x outside hex bolt. Repeat for the other side of the guard.

For attachment point two use 1 x knob and 1 x gasket (Ø6). Repeat for the other side of the guard. To adjust the height of the log catcher loosen the knobs and retighten when the desired height is reached.

COMPONENTS & CONTROLS (FIG.29)

1.	Guard
2.	Log pusher
3.	Work table
4.	Log catcher
5.	Switch
6.	Motor
7.	Pushbutton box
8.	Wheels
9.	Hydraulic control lever
10.	Control lever guard
11.	Bleed screw
12.	Oil drain bolt with dipstick

PREPARATION FOR OPERATION

WARNING! Before operating the log splitter, the bleed screw should be loosened by some rotations until air can go in and out of the oil tank smoothly.

Air flow through the bleed screw hole should be detectable while the log splitter is under operation.

Before moving the log splitter, make sure the bleed screw is tightened to avoid oil leaking from this point.

Failure to loosen the bleed screw will keep the sealed air in the hydraulic system being compressed after being decompressed. Continuous air compression and decompression will blow out the seals of the hydraulic system and cause permanent damage to the log splitter.

MAX PRESSURE LIMITING SCREW (FIG.30)

WARNING! Do not adjust the max pressure limiting screw. The maximum pressure was set by a qualified mechanic with professional instruments to ensure the log splitter works under pressure no more than 6 Tons. Unauthorised resetting will cause hydraulic pump failure and can result in serious injury as well as damage to the machine.

POSITIONING THE LOGS

Always place the logs on the log retaining plates.

Make sure the logs do not twist, rock or slip while being split.

Do not force the log splitter by splitting the log on the upper part of the wedge. This will break the wedge or damage the machine.

Break log in the direction of its grain.

Do not place the log across the log splitter for splitting. It may be dangerous and may seriously damage the machine.

Do not attempt to split 2 logs at the same time. One of them may fly up and hit you.

RECOMMENDED LOG SIZE

Log size: 520 mm (length) x 50-250 mm (diameter).

The specified diameter is only a guideline. If the log contains a burl or the log fibre is too hard, it will be very difficult to split the log. On the other hand if the fibre of another log is even and soft, the log splitter may be able to split it.

OPERATION

This log splitter is designed to be operated by one person only and requires two handed operation by the user. The left hand controls the hydraulic control lever and the right hand controls the push button switch.

Push and hold the push button switch, Fig.31 (1).

Then press and hold down the control lever, Fig.31 (2) to start the log splitter.

The log splitter will freeze if either control is released.

When both controls are released, the log splitter returns to the starting position.

NOTE: Once you start splitting the log, never reach into the splitting zone.

WARNING: NEVER FORCE THE LOG SPLITTER FOR MORE THAN 5 SECONDS TO SPLIT EXCESSIVELY HARD WOOD. AFTER THIS TIME, THE OIL UNDER PRESSURE WILL OVERHEAT AND THE MACHINE COULD BE DAMAGED.

For extremely hard logs, rotate the log by 90° to see whether it can be split in a different direction. In any case, if you are still not able to split the log, this means that the wood exceeds the capacity of the machine and should be discarded to protect the log splitter.

FREEING A JAMMED LOG (FIG.32)

Release both controls.

The log splitter moves back and completely stops at its starting position.

Insert a wedge of wood under the jammed log.

Start the log buster to push the wedge under the jammed log.

Repeat above procedure with sharper sloped wedges until the log is completely free.

Caution: Do not try to hit the jammed log off of the log buster, this may damage the machine or may cause the log to fly up and cause an accident.

MAINTENANCE

Warning! Make sure the the log splitter is switched off and disconnected from the mains supply before starting any cleaning or maintenance procedures.

REPLACING THE HYDRAULIC OIL (FIG.33 & 34)

Replace the Hydraulic oil in the log splitter after every 150 hours of use. Take following steps to replace it.

Ensure that the log splitter has returned to its starting position and that that the machine is completely disconnected from power source.

Loosen the bleed screw three or four turns.

Loosen the oil drain bolt with dipstick and remove it.

Place a dish under the log splitter that is able to take at least 3.5 litres of oil. Tilt the log splitter and empty the oil into the dish, Fig.33.

Tilt the log splitter in the other direction so that the oil change hole faces upwards, Fig.34. Pour the hydraulic oil into the oil tank using a clean funnel. Pour in the amount of oil specified below.

Wipe the dipstick, using a clean soft cloth and check the oil level as before

Add more oil if required.

Clean the filler neck and plug/dipstick washer/seal thoroughly and refit, tighten sufficiently to prevent oil leaking, DO NOT overtighten.

Carefully return the machine to normal working position.

Finally, tighten the bleed screw.

HYDRAULIC OIL VOLUME

- 3.5 Litres

RECOMMENDED HYDRAULIC OIL

We recommend the following hydraulic oils for use in the hydraulic system:

- SHELL Tellus 22
- MOBIL DTE 11
- ARAL Vitam GF 22
- BP Energol HLP-HM 22
- or other corresponding oils

SHARPENING WEDGE

When the machine has been in use for a long time, or as necessary, sharpen the wedge with a fine-toothed file then carefully smooth any possible uneven areas on the cutting surface.

MOVING AND TRANSPORT

Before movement or transport of the machine remove the electrical cable from the power source: wait until the machine's operation has stopped completely; allow the machine to cool; and wind up the electrical cable and attach it.

CAUTION: BEFORE MOVING THE LOG BUSTER, MAKE SURE THE BLEED SCREW IS TIGHTENED TO AVOID OIL LEAKING.

When you want to move the log splitter a short distance, lift the front handle such that the front part of the machine rises up and the wheels touched the ground. Then push or pull the machine by moving backwards or forwards. Pay attention to uneven and/or slippery surfaces.

STORAGE

Disconnect the log splitter from the mains supply.

Tighten the bleed screw.

Clean the unit down using a dry cloth.

TECHNICAL SPECIFICATION

Voltage	230V - 50Hz
Motor	2000W S6 40%
Rated tonnage	6 Ton
IP rating	IP54
Maximum log length	520mm
Minimum log diameter	80mm
Maximum log diameter	250mm
Hydraulic pressure	24Mpa
Oil capacity	3.5L

TROUBLESHOOTING

PROBLEM	CAUSE	CAUSE
Fails to split logs.	Log is improperly positioned.	Refer to "Positioning The Log" section.
	Wedge cutting edge is blunt.	Refer to "Sharpening Wedge" section.
	Oil leaks.	Contact the dealer.
	Unauthorised adjustment was made on max. pressure limiting screw.	Contact the dealer.
	The sizes or hardness of the log exceeds the capacity of the machine	Reduce the log sizes before splitting it on the log splitter
The log splitter moves jerkily.	Lack of hydraulic oil and excessive air in the hydraulic system.	Check oil level for possible oil refilling. Contact the dealer
Oil leaks around cylinder ram or from other points.	Air sealed in hydraulic system while operating.	Loosen Bleed Screw by 3-4 turns before operating the log splitter.
	Bleed Screw is not tightened before moving the log splitter.	Tighten the Bleed Screw up before moving the log splitter.
	Oil Drain Bolt is not tight.	Tighten the Oil Drain Bolt.
	Hydraulic Control Valve Assembly and / or seal(s) worn	Contact the dealer.
Motor stops and starts	Overload Protection Device disengaged to protect the log splitter from being damaged.	Contact a qualified electrician for opening the push button box to engage the overload protection device inside

ENVIRONMENTAL PROTECTION

Information for (private householders) for the environmentally responsible disposal of Waste Electrical and Electronic Equipment (WEEE)



This symbol on products and or accompanying documents indicates that used and end of life electrical and electronic equipment should not be disposed of in household waste. For the proper disposal, treatment, recovery and recycling, please take these products to designated collection points, where they will be accepted on a free of charge basis. Alternatively, in some countries you may be able to return your products to your retailer upon the purchase of an equivalent new product. Disposing of this product correctly will help to save valuable resources and prevent any potential adverse effects on human health and the environment which could otherwise arise from inappropriate waste disposal and handling. Please contact your local authority for further details of your nearest designated collection point. Penalties may be applicable for incorrect disposal of this waste in accordance with national legislation.

FOR BUSINESS USERS IN THE EUROPEAN UNION.

If you wish to discard electrical and electronic equipment, please contact your dealer or supplier for further information.

Information on Disposal in other Countries outside the European Union.

This Symbol is only valid in the European Union.

If you wish to dispose of this product, please contact your local authorities or dealer and ask for the correct method of disposal.

SYMBOLS

The rating plate on your tool may show symbols. These represent important information about the product or instructions on its use.



Wear hearing protection.
Wear eye protection.
Wear respiratory protection.



Conforms to relevant safety standards.



Read the instruction manual.



Wear protective gloves



Wear protective boots



Danger of cutting or crushing of the hand



Always pay attention to the movement of the machine



Protect your hands



Disconnect power when not in use



Inspect the log splitter before use for any damage



Waste electrical products should not be disposed of with household waste. Please recycle where facilities exist. Check with your Local Authority or retailer for recycling advice.



Product conforms to RoHs requirements



This machine must only be operated by one person. Keep visitors & children a safe distance away from the work area whilst in operation.



Protect the environment

ESITTELY

Kiitos, että osit tämän tuotteen, joka on läpäissyt kattavan laaturakastusprosessimme. Kaikki on tehty sen varmistamiseksi, että saat sen täydellisessä toimintakunnossa.

TURVALLISUUS ENSIN

Seuraavat perusvarotoimet on tehtävä ennen sähkötyökalan käyttämistä tulipalojen, sähköiskujen ja henkilövahinkojen estämiseksi. On tärkeää lukea nämä käyttöohjeet, jotta ymmärtät tämän työkalun käytön, siihen liittyvät rajoitukset ja potentiaaliset vaarat.

TAKUUTODISTUS

Tällä tuotteella on kuluttajakäytössä 2 vuoden takuu, joka alkaa ostopäivästä ja koskee vain ensimmäistä ostajaa. Ammattikäytössä takuuta ei ole (laite ei ole suunniteltu ammattikäyttöön). Tämä takuu kattaa vain virheet, jotka aiheutuvat raaka-aine- ja valmistusvirioista, ja jotka tulevat esille takuuajana. Takuu ei korvaa kuluvia osia. Valmistaja korjaa tai vaihtaa tuotteen harkintansa mukaan edellyttäen seuraavassa mainittuja asioita. Tuotetta on käytetty käsikirjan ohjeiden mukaisesti, ja sitä ei ole käytetty väärin tai huolimattomasti tai tarkoitukseen, johon sitä ei ole tarkoitettu käytettäväksi. Laitetta ei ole purettu osiin tai peukaloitu millään tavalla, sitä ei ole huollattu valtuuttamattomilla henkilöillä tai käytetty vuokrauksen kohteena. Kuljetusvauriot eivät kuulu tämän takuun piiriin. Niistä on vastuussa kuljetusliike. Takuuvaateet on esitettävä ensisijaisesti suoraan jälleenmyyjälle takuuajan aikana. Tuote tulee palauttaa valmistajalle vain poikkeuksellisissa tapauksissa. Näissä tapauksissa ostajan vastuulla on tuotteen palauttaminen omalla kustannuksellaan ja varmistaen, että se on asianmukaisesti pakattu kuljetusvaurioiden estämiseksi. Mukaan tulee liittää lyhyt kuvaus viasta ja kopio kuitista tai muusta ostotodistuksesta. Valmistaja ei ole vastuussa mistään erityisistä, esimerkillisistä, suorista, välillisistä, satunnaisista tai epäsuorista menetyksistä tai vahingoista takuun aikana. Tämä takuu tulee lisänä, eikä vaikuta oikeuksiin, joita kuluttajalla saattaa olla vuoden 1973 Tavarannmyyntilain ja siihen vuonna 1975 ja 1999 tehtyjen muutosten mukaisesti.

LAKISÄÄTEISET OIKEUDET

Tämä takuu on lisänä, eikä vaikuta lakisääteisiin oikeuksiisi.

TUOTTEEN HÄVITTÄMINEN

Kun tuotteen käyttöikä loppuu tai se hävitetään jostakin muusta syystä, sitä ei saa hävittää kotitalousjätteen mukana. Luonnonvarojen säilyttämiseksi ja haitallisten ympäristövaikutusten minimoimiseksi, kierrätä tuote tai hävitä muulla ympäristöystävällisellä tavalla. Tuote tulee viedä paikalliseen kierrätyskeskukseen tai muuhun viralliseen keräily- ja hävityspisteeseen.

Jos olet epävarma, kysy kierrätyksen- ja/tai hävittämisvaihtoehtoista paikalliselta jätehuoltoalueelta.

ERITYISET TURVAOHJEET

Lue nämä käyttöohjeet huolellisesti. Tutustu laitteen

käyttösovelluksiin ja rajoituksiin sekä laitteeseen mahdollisesti liittyviin vaaratekijöihin.

Älä käytä puunhalkaisukonetta ollessasi huumausaineiden, alkoholin tai hallintakykyysi vaikuttavan lääkityksen alaisena.

Älä koskaan seiso koneen päällä. Seiso aina tukevassa asennossa tasapainosi säilyttäen. Älä säilytä mitään tavaroita puunhalkaisukoneen yläpuolella tai lähellä sitä, jottei kukaan nousisi seisomaan koneen päälle yltäkseen niihin.

Älä koskaan jätä konetta ilman valvontaa, kun virta on kytkettynä (kytkin asennossa "on"). Varmista käytön jälkeen, että kone on irrotettu virtalähteestä. Älä koskaan poistu koneen luota ennen kuin olet varmistanut, että se on kokonaan pysähtynyt.

Aina kun säädät, siirrä tai huolla konetta, varmista ensin, että kone on kokonaan irrotettu virtalähteestä.

Tätä konetta saa käyttää vain yksi ihminen kerrallaan. Tätä konetta saavat käyttää vain vastuulliset aikuiset, jotka ovat lukeneet käyttöohjeen ja ymmärtäneet sen sisällön.

Pidä aina huolta siitä, että virtajohto on täysin suojattu.

Pidä aina huolta siitä, että ennen käyttöä kone on tarkastettu mahdollisten vaurioiden varalta. Pidä huolta siitä, että kone on asianmukaisesti huollettu.

Säilytä aina turvaväli käsiesi ja tukin välillä sekä työntimen ja kiilan välillä.

Älä yritä asettaa tukkia puunhalkaisukoneelle, kun pumppu on liikkeessä.

Pidä kätesi kunnon välimatkan päässä tukkiin avautuvista halkeamista ja murtumista; ne saattavat sulkeutua äkisti.

Älä pakota terää halkaisemalla tukkia terän yläosalla. Tämä voi rikkoa terän tai vahingoittaa koneen runkoa. Aseta tukki aina tuen päälle.

Älä koskaan pyydä muuta auttamaan sinua jumiutuneen tukin irrottamisessa.

Älä käytä sähkömoottorilla varustettua konetta, jos ilmassa on kaasua, bensiinihöyryä tai muita tulenarkoja höyryjä.

Varmista, että virransyöttö on suojattu kunnolla, ja että se vastaa moottorin tehoa, jännitettä ja taajuutta; tarkasta, että virransyöttö on maadoitettu, ja että syöttö on kytketty vikavirtasuojaan.

Käytä riittävän paksua maadoitettua jatkojohtoa. Vältä fyysistä kosketusta maadoitettuihin esineisiin kuten putkiin, lämpöpattereihin, liesiin ja jääkaappien runkoihin.

Varmista, etteivät sormesi koske pistokkeen metallikärkiä, kun olet liittämässä sitä pistorasiaan tai irrottamassa pistorasiasta.

Johdon halkaisijan on oltava vähintään 2,5 mm². Vältä irrallisten ja riittämättömästi eristettyjen liittäjäntöjen käyttöä. Kytkentä tulee tehdä ulkokäyttöön sopivalla, eristetyllä johdolla. Liian pitkien tai ohuiden jatkojohtojen käyttö voi aiheuttaa jännitteiden pientymistä, mikä estää moottoria toimimasta täydellä teholla. Jatkojohdon pituus ei saa ylittää 10 metriä.

TURVALLISUUSHUOMIOITA

Varoitus! Suoja- ja turvalaitteisiin ei saa kajota, eikä niitä saa poistaa.

Vaara! Käden leikkautumisen ja musertumisen vaara; älä koskaan koske vaarallisia alueita puunhalkaisukoneen ollessa toiminnassa.

Varoitus: huomioi aina puunhalkaisukoneen liike.

Varoitus: älä koskaan irrota kiilaan jumiutunutta tukkia käsin.

Varoitus: tyypikkilven mukainen jännite.

ERITYISVAROITUS KOSKIEN PUUNHALKAISUKONEEN KÄYTTÖÄ

Tämän suuritehoisen laitteen käytöstä voi seurata erityisiä vaaratilanteita. Pidä hyvää huolta omasta ja muiden turvallisuudesta.

HYDRAULISET JÄRJESTELMÄT

Älä koskaan käytä tätä konetta, jos hydraulinen järjestelmä ei ole turvallisessa tilassa. Ennen kuin alat käyttää konetta, tarkasta hydraulinen järjestelmä vuotojen varalta. Pidä huolta, että kone ja työalue ovat puhtaat, eikä öljyvuoja esiinny. Hydraulineste voi aiheuttaa vaaratilanteita; saatat liukastua nesteeseen ja kaatua, kätesi saattavat livetä käyttäessäsi konetta, tai neste saattaa aiheuttaa palovaaran.

SÄHKÖTURVALLISUUS

Älä koskaan käytä tätä konetta, jos sähköliitännät eivät ole turvallisessa tilassa. Älä koskaan käytä sähkölaitetta märissä olosuhteissa. Älä koskaan käytä tätä konetta kytkettynä vääränlaiseen sähköjohtoon tai jatkojohtoon. Älä koskaan käytä tätä laitetta, ellei se ole kytketty hyvin maadoitettuun pistorasiaan, jonka jännite on koneen vaatimusten mukainen, ja joka on suojattu 10 A:n sulakkeella.

UHAT FYSISSELLE TERVEDELLE

Puunhalkaisu voi aiheuttaa tilanteita, jotka ovat fyysisesti erittäin vaarallisia. Älä koskaan käytä tätä laitetta ilman kunnollisia suojakäsineitä (sähköä johtamattomat), kovakärkisiä ja liukuestoisia kenkiä ja hyväksytyjä suojalaseja. Varo halkaisusta syntyviä puunsirpaleita; ne voivat aiheuttaa loukkaantumisia ja voivat jumiuttaa koneen. Käytä hiussuojaa, jotta pitkät hiukset eivät joutuisi lähelle konetta eivätkä jäisi kiinni koneistoon.

Älä käytä väljää vaatetusta, solmioita tai koruja (sormukset, kellot jne.). Ne voivat jäädä kiinni koneen liikkuviin osiin.

Älä koskaan yritä halkaista tukkeja, jotka ovat liian isoja tai pieniä mahtuakseen kunnolla koneeseen.

Älä koskaan yritä halkaista tukkeja, joissa on nauvoja, rautalankaa tai muita konetta vahingoittavia osia.

Siivoa sitä mukaa kun työskentelet: kerääntyneet puunpalat ja lastut voivat luoda vaarallisen työympäristön.

Älä koskaan jatka työtä tavaraa täynnä olevassa työympäristössä, jonka takia saatat liukastua, kompastua tai kaatua. Pidä sivulliset etäällä koneesta, äläkä koskaan anna ulkopuolisten käyttää konetta. Sivullisten (ihmisten ja eläinten) tulee pysyä vähintään 5 metrin etäisyydellä koneesta.

Varmista, että työskentelyalue on hyvin valaistu.

HUOMIO: Mikään varoitusluettelo ei voi olla täysin kattava. Käyttäjän tulee käyttää tervettä järkeä ja käyttää konetta turvallisesti.

Ennen työhön ryhtymistä tulee käydä läpi turvallisuuteen liittyvät perusvarotoimenpiteet.

PUUNHALKAISUKONEEN OMINAISUUDET

Koneen siirtäminen ja kuljettaminen on helppoa, koska se on kannettava, kevyt ja rakennettu pyörille.

Voima. Puu halkeaa nopeasti koneen 6 tonnin voimalla.

Sähkökäyttöinen. Kätevän ja luotettavan sähkötoimisen hydraulijärjestelmän ansiosta pienen polttoainekäyttöisen moottorin huollosta aiheutuvat vaivat ja kustannukset vältetään. Kytke kone virtalähteeseen ja aloita puiden halkaisu.

Hydraulipumppu. Tehokas hydraulipumppu halkaisee puut turvallisesti ja hallitulla tavalla ilman kirvestä, moukareita tai kiiloja.

Kahden käden turvaohjaus. Sisäänrakennettu turvamalli pitää kätesi etäällä tukista ja koneesta käytön aikana.

PUUNHALKAISUKONEEN ERITYISTURVAOHJEET

Ennen kuin käynnistät koneen, tarkasta ylikuormitusuojalaitteen ja suojalevyn kunto.

Ennen kuin käynnistät koneen, varmista ettei koneesta vuoda öljyä, ja että hydraulioiljyn taso on öljytikun urteiden välillä.

Ennen kuin käynnistät koneen, tarkasta puunhalkaisukoneen kunto. Pidä suojalaitteet paikoillaan ja hyvässä kunnossa. Ota tavaksi tarkastaa, että kaikki työkalut on poistettu työalueelta ennen koneen käynnistämistä. Vaihda vaurioituneet, puuttuvat tai toimimattomat osat ennen koneen käyttöä.

Käynnistä kone ilman kuormaa ja tarkasta, että se on työkuunnossa.

Pidä mielessä mahdolliset vaaratilanteet, joita voi syntyä tietynlaisten tukkien (esim. muhkuraisten tai epäsäännöllisten muotoisten tukkien) halkomisesta.

Muista aina käyttää vikavirtasuojalla varustettua pistorasiaa.

Älä koskaan halkaise tukkeja, jotka ovat isompia kuin käyttöoppaassa määritelty tukkikoko. Älä yritä halkaista tukkeja, joissa on koneen toimintaa häiritseviä osia, kuten nauvoja tai rautalankaa.

Tukin alapinnan tulee olla tasaisesti leikattu, eikä tukissa saa olla oksia. Tukki tulee halkaista syiden suuntaisesti. Älä koskaan aseta tukkia pystyasentoon puunhalkaisukoneeseen.

Käyttäjän tulee aina hallita ohjainlaitetta molemmin käsin. Ohjainlaitetta ei saa käyttää millään muulla tavalla.

Aseta kone vaakasuoralle ja vakaalle tukialustalle. Varmista, että koneen ympärillä on runsaasti liikkumatilaa. Varmista, että tukialustalla ei ole mitään esineitä, jotka voisivat estää konetta liikkumasta vapaasti. Suosittelemme tähän käyttötarkoitukseen sopivan puunhalkaisukonejalustan käyttöä. Älä koskaan käytä konetta maassa. Kiinnitä puunhalkaisukone työalustaan, jos se liukuu paikaltaan.

Vaara! Älä yritä halkaista kahta tukkia yhdellä kertaa.

Vaara! Älä koskaan lisää seuraavaa tukkia tai vaihda tukkia, kun kone on toiminnassa.

Vaara! Älä koskaan kajoa puunhalkaisukoneen suojalaitteisiin, äläkä käytä konetta ilman suojalaitteita.

Varoitus! Älä koskaan pakota puunhalkaisukonetta viittä sekuntia kauempaa, kun yrität halkaista erityisen kovaa puuta. Tämän ajan umpeuduttua öljy voi ylikuumentua. Muuta erityisen kovan tukin asentoa 90° nähdäksesi, voiko sen halkaista toisessa suunnassa. Jos et pysty halkaisemaan tukkia, silloin puun kovuus ylittää koneen suorituskyvyn.

Kielletty! Älä koskaan avaa kytkentälaatikkoa tai sähkömoottorin kantta. Ota tarvittaessa yhteyttä pätevään sähköasentajaan.

Varoitus! Pidä huolta, että kone ja sähköjohto pysyvät kaukana vedestä. Käsittele sähköjohtoa varoen.

Älä koskaan nyi tai revi sähköjohtoa. Pidä sähköjohto kaukana korkeista lämpötiloista, öljystä ja terävistä esineistä.

Älä käytä konetta ilman paikoilleen asennettuja suojuksia. Se voi aiheuttaa vakavan henkilövahingon käyttäjälle.

PAKKAUKSEN SISÄLTÖ (KUVA 1/1A)

1.	Puunhalkaisukone
2.	Pyörä x 2
3.	Pyörän akseli
4.	Vaakasuntainen akseli, jossa on 2 kuusikulmapulttia (M6 x 35) ja aluslevyt x 2.
5.	Vaakasuntainen jalka, jossa 2 pulttia
6.	Etujalka x 2
7.	Takajalka x 2
8.	Kahva
9.	Pyörän suojus x 2
10.	Kuusikulmapultti (M8 x 45) x4, aluslevyt x 8, mutterit x 4)
11.	Lukkorengas x 4
12.	Suojus A
13.	Yläkansi
14.	Tukin sieppaaja
15.	Puun tukiteline x 2
16.	Suojus B
17.	Sivusuojus
18.	Ulkopuolen kuusiopultit (M6x12) 6 kpl
19.	Tiiviste (Ø6) 4 kpl
20.	Lukkomutteri (M6) 4 kpl
21.	Ulkopuolen kuusiopultit (M8x16) 2 kpl
22.	Tiiviste (Ø8) 2 kpl
23.	Lukkomutteri (M8) 2 kpl
24.	Tiiviste (Ø5) 13 kpl
25.	Jousialuslevy (Ø5) 13 kpl
26.	Ulkopuolen kuusiopultit (M5x10) 13pcs
27.	Nuppi 2 kpl
28.	Tiiviste (Ø6) 2 kpl

PAKKAUKSESTA PURKAMINEN JA KOKOAMINEN

VAROITUS! Työkalu ei saa koskaan olla verkkovirtaan kytkettynä osien vaihdon, säätöjen, puhdistamisen ja huollon aikana tai silloin kun työkalu ei ole käytössä. Irrota työkalu verkkovirrasta estääksesi tahattomat käynnistymiset, jotka voivat aiheuttaa vakavan henkilövahingon.

Ota osat laatikosta ja tarkasta, että kaikki pakkaukset ovat kunnossa ja vahingoittumattomia. Jos osia puuttuu tai jos jokin osa on viallinen, ota heti yhteyttä jälleenmyyjään.

TAKAJALKOJEN KOKOAMINEN

1. Käännä puunhalkaisukone ylösalaisin ja kiinnitä kaksi takajalkaa puunhalkaisukoneeseen, kuvat 2 ja 3.
2. Kiinnitä takajalat puunhalkaisukoneeseen 2 kuusiopullilla, kuten kuvissa 4 ja 5. Kiristä pultit tässä vaiheessa vain käsin.
3. Asenna vaakasuuntainen akseli takajalan reikiin ja kiristä pultit käsin, kuva 6.
4. Liu'uta pyörän akseli takajalkojen alareikiin, kuva 7.
5. Kiinnitä lukkorengas pyörän akselin toisella puolella olevaan syvennykseen, kuva 8. Lukkorengkaan avaaminen vaatii lukkorengasavaimen.
6. Asenna pyörä akseliin siten, että se on lukkorengasta vasten, kuva 9.
7. Kiinnitä toinen lukkorengas pyörän akseliin pitämään pyörää paikoillaan, kuva 10.
8. Asenna pyörän suojus pyörään, kuva 11.
9. Toista vaiheet 5–8, kun kiinnität toisen pyörän akseliin.
10. Kiristä kaikki aikaisemmin käsin kiristetyt pultit avaimella, kuvat 12 ja 13.

ETUJALKOJEN KOKOAMINEN

1. Puunhalkaisukone ylösalaisin käännettynä kiinnitä kaksi etujalkaa puunhalkaisukoneeseen, kuva 14.
2. Kiinnitä etujalat puunhalkaisukoneeseen 2 kuusiopullilla, kuten kuvissa 15 ja 16. Kiristä pultit tässä vaiheessa vain käsin.
3. Asenna vaakasuuntainen akseli takajalan reikiin ja kiristä pultit käsin, kuvat 17 ja 18.
4. Työnnä vaakasuuntainen jalka kahden etujalan päälle, kuva 19.
5. Kiristä pultit käsin, kuva 20.
6. Kiristä kaikki aikaisemmin käsin kiristetyt pultit avaimella, kuva 21.

Kun jalat on kiinnitetty, varmista avaimella, että kaikki kiinnityspultit on kunnolla kiristetty.

Valmiiksi koottu puunhalkaisukone näyttää siltä kuin kuvassa 22.

KAHVAN KIINNITTÄMINEN

1. Kiinnitä kahva koneen eteen 2 mukana tulevalla ruuvilla, kuva 23.

SUOJUKSEN KIINNITTÄMINEN

1. Kierrä etujalkojen yläosiin kiinnitetyt pultit irti ja yhdistä puun tukitelineet. Kierrä pultit takaisin paikoilleen, kuva 24.

2. Yhdistä suojus, kuten näytetään kuvassa 25, ulkopuolen kuusiopulteilla (M5x10), jousialuslevyillä (Ø5) ja tiivisteillä (Ø5). Jokaista osaa on 13 kappaletta.
3. Kiinnitä suojus halkaisukoneeseen. Yhdistä takasuojus käyttäen 2 x ulkopuolen kuusiopultteja (M8x16), 2 x tiivisteitä (Ø8) ja 2 x lukkomuttereita (M8), kuva 26.

Yhdistä sivusuojus käyttäen 4 x ulkopuolen kuusiopultteja (M6x12), 4 x tiivisteitä (Ø6) ja 4 x lukkomuttereita (M6), kuva 27.

4. Yhdistä tukin sieppaaja kiinnityskohdista 1 ja 2, kuva 28. Käytä kiinnityskohdassa yksi 1 x ulkopuolen kuusiopultti. Toista suojuksen toisella puolella.

Käytä kiinnityskohdassa kaksi 1 x nuppi ja 1 x tiiviste (Ø6). Toista suojuksen toisella puolella. Voit säätää tukin sieppaajan korkeutta löysäämällä nupit ja kiristämään ne uudelleen haluttuun korkeuteen.

OSAT JA SÄÄTIMET (KUVA 29)

1.	Suojus
2.	Tukin työntäjä
3.	Työpöytä
4.	Tukin sieppaaja
5.	Kytkin
6.	Moottori
7.	Painikerasia
8.	Pyörät
9.	Hydraulinen ohjausvipu
10.	Ohjausvivun suojus
11.	Ilmausruuvi
12.	Öljyntyhjennuspultti ja mittatikku

KÄYTÖN VALMISTELU

VAROITUS! Ennen puunhalkaisukoneen käyttöä ilmausruuvia tulee löysätä muutama kierros, jotta ilma pääsee virtaamaan tasaisesti öljysäiliöön ja öljysäiliöstä ulos.

Ilmausruvin reiän läpi kulkevan ilmavirran tulisi olla puunhalkaisukoneen käytön aikana havaittavissa.

Ennen puunhalkaisukoneen liikuttelua tulee tarkistaa, että ilmausruuvi on kiristetty. Näin vältetään öljyn valumiselta tästä kohdasta.

Jos ilmausruuvia ei onnistuttu löysäämään, hydrauliseen järjestelmään suljettu ilma jää paineistumaan paineen purun jälkeen. Jatkuva ilman paineistuminen ja paineen purku vaurioittavat hydraulijärjestelmän tiivisteitä ja aiheuttaa pysyviä vaurioita puunhalkaisukoneelle.

MAKSIMAALISTA PAINETTA RAJOITAVA RUUVI (KUVA 30)

VAROITUS! Älä säädä maksimaalista painetta rajoittavaa ruuvia. Maksimaalinen paine on pätevän mekaanikon ammattilaistyökaluilla säätämä. Tällä säädöllä varmistetaan, että puunhalkaisukone toimii paineessa, joka ei ylitä 6 tonnia. Säädön luvaton muuttaminen aiheuttaa hydraulisen pumpun toimintahäiriön ja voi johtaa vakavaan henkilövahinkoon sekä vaurioittaa konetta.

TUKKIEN ASETTAMINEN

Aseta tukit aina tukkien pidikeleveille.

Varmista, että tukit eivät käännä, keinahtele eivätkä liu'u silloin kun niitä halkaistaan.

Älä pakota puunhalkaisukonetta halkaisemalla tukkia kiilan ylemmällä osalla. Tämä voi rikkoa kiilan tai vahingoittaa konetta.

Halkaise tukki puun syiden suuntaisesti.

Älä aseta halkaistavaa tukkia poikittain puunhalkaisukoneelle. Tämä voi olla vaarallista ja vahingoittaa konetta vakavasti.

Älä yritä halkaista 2 tukkia yhdellä kertaa. Toinen niistä saattaa lennähtää ylöspäin ja osua sinuun.

SUOSITELTU TUKIN KOKO

Tukin koko: 520 mm (pituus) x 50–250 mm (läpimitta).

Määritetty läpimitta on vain ohjeellinen. Tukin halkaisu on hyvin vaikeaa, jos siinä on pahka, tai sen kuitu on liian kovaa. Toisaalta, jos toisen puun kuitu on tasaista ja pehmeää, puunhalkaisukone saattaa voida halkaista sen.

KÄYTTÄMINEN

Tämä puunhalkaisukone on suunniteltu yhden käyttäjän käytettäväksi ja vaatii molempien käsien käyttöä. Vasen käsi ohjaa hydraulista ohjainvipua, ja oikea käsi ohjaa painonappikytkintä.

Paina ja pidä painonappikytkintä, kuva 31 (1).

Paina ja pidä sitten ohjainvipua, kuva 31 (2), puunhalkaisukoneen käynnistämiseksi.

Puunhalkaisukone pysähtyy, jos jompikumpi ohjausvivuista vapautetaan.

Kun molemmat ohjausvivut vapautetaan, puunhalkaisukone palautuu alkuasentoon.

HUOMAA: Kun käynnistät tukin halkaisun, älä kurottele halkaisualueelle.

VAROITUS: ÄLÄ KOSKAAN PAKOTA PUUNHALKAISUKONETTA YLI 5 SEKUNTIA HALKAISEMAAN ERITTÄIN KOVAA PUUTA. TÄMÄN AIKAVÄLIN UMPEUDUTTUA PAINELLE ALISTETTU ÖLJY YLIKUUMENEE JA KONE SAATTA VAAURIOITUA.

Muuta erityisen kovan tukin asentoa 90° nähdäksesi, voiko sen halkaista toisessa suunnassa. Joka tapauksessa, jos et pysty halkaisemaan tukkia, tämä tarkoittaa sitä, että puun kovuus ylittää koneen suorituskyvyn ja tukki tulee hylätä puunhalkaisukoneen suojelemiseksi.

JUMIUTUNEEN TUKIN IRROTTAMINEN (KUVA 32)

Vapauta molemmat ohjausvivut.

Puunhalkaisukone palaa takaisin ja pysähtyy kokonaan aloitusasennossaan.

Aseta puukiila jumiutuneen tukin alle.

Käynnistä puunhalkaisukone, jotta puukiila työntyisi jumiutuneen tukin alle.

Toista yllä kuvattu toimenpide terävämällä kiillalla, kunnes tukki on irronnut kokonaan.

Huomio: Älä yritä iskeä jumiutunutta tukkia irti. Iskeminen saattaa johtaa koneen vaurioitumiseen tai tukin irti singahtamiseen, mistä voi seurata onnettomuus.

HUOLTO

Varoitus! Varmista, että puunhalkaisukone on kytketty pois päältä ja irrotettu pistorasiasta ennen kuin teet mitään puhdistus- tai huoltotoimenpiteitä.

HYDRAULIÖLJYN VAIHTO (KUVAT 33 JA 34)

Vaihda puunhalkaisukoneen hydraulioöljy aina 150 tunnin käytön jälkeen. Noudata vaihdossa seuraavia ohjeita.

Varmista, että puunhalkaisukone on palannut alkuasentoonsa ja kone on irrotettu sähkövirrasta.

Löysää ilmausruvia kolme tai neljä kierrosta.

Löysää mittatikullista öljyntyhjennyspulttia ja poista se.

Aseta puunhalkaisukoneen alle astia, johon mahtuu vähintään 3,5 litraa öljyä. Kallista puunhalkaisukonetta ja tyhjennä öljy astiaan, kuva 33.

Kallista puunhalkaisukone toiseen suuntaan siten, että öljynvaihtoaukko on ylöspäin, kuva 34. Kaada hydraulista öljyä öljysäiliöön käyttäen puhdasta supplia. Kaada öljyä alla määritetty määrä.

Pyyhi mittatikku puhtaalla, pehmeällä liinalla ja tarkasta öljyntaso kuten aikaisemmin

Lisää öljyä tarvittaessa.

Puhdista täyttökauka ja pultin/mittatikun aluslevy/tiiviste huolellisesti ja kierrä takaisin. Kiristä riittävästi, jotta öljyä ei vuoda ulos, ÄLÄ kiristä liikaa.

Palauta kone varovasti normaaliin toimintakuntoon.

Kiristä lopuksi ilmausruvi.

HYDRAULIÖLJYN MÄÄRÄ

- 3,5 litraa

SUOSITELLUT HYDRAULIÖLJYT

Suosittellemme seuraavia öljyjä käytettäväksi

hydrauliijärjestelmässä:

- SHELL Tellus 22
- MOBIL DTE 11
- ARAL Vitam GF 22
- BP Energol HLP-HM 22
- tai muut vastaavat öljyt

KIILAN TEROITTAMINEN

Kun kone on ollut jonkin aikaa käytössä tai mikäli tarpeen, teroita kiila hienohampaisella viilalla ja silota sitten huolellisesti leikkauspinnan mahdolliset epätasaiset alueet.

SIIRTÄMINEN JA KULJETUS

Ennen koneen siirtämistä tai kuljettamista irrota sähköjohto virtalähteestä: odota kunnes koneen toiminta on täysin pysähtynyt; anna koneen jäähtyä; ja kierrä sähköjohto ja kiinnitä se.

HUOMIO: ENNEN PUUNHALKAISUKONEEN LIIKUTTELUA TULEE VARMISTAA, ETTÄ ILMAUSRUUVI ON KIRISTETTY, JOTTA VÄLTETÄÄN ÖLJYN VALUMINEN.

Jos haluat siirtää puunhalkaisukonetta lyhyen matkan, nosta etukahvasta siten, että koneen etuosa nousee ylös ja pyörät koskettavat maata. Työnnä tai vedä konetta taaksepäin tai eteenpäin. Varo epätasaisia ja/tai liukkaita pintoja.

VARASTOINTI

Irrota kone verkkovirrasta.

Kiristä ilmausruuvi.

Puhdista laite kuivalla liinalla.

TEKNISET TIEDOT

Jännite	230 V – 50 Hz
Moottori	2000W S6 40%
Nimellisteho	6 tonnia
IP-luokitus	IP54
Tukin maksimi pituus	520 mm
Tukin minimi läpimitta	80 mm
Tukin maksimi läpimitta	250 mm
Hydraulipaine	24 Mpa
Öljyn määrä	3,5 l

VIANETSINTÄ

ONGELMA	SYY	SYY
Tukkien halkaisu ei onnistu.	Tukki on väärin asetettu.	Katso kohtaa ”Tukkien asettaminen”.
	Kiilan leikkureuna on tylsä.	Katso kohtaa ”Kiilan teroittaminen”.
	Öljyvuoto.	Ota yhteyttä jälleenmyyjään.
	Maksimaalista painetta rajoittavaa ruuvia on säädetty ilman lupaa.	Ota yhteyttä jälleenmyyjään.
	Tukin koko tai kovuus ylittää koneen suorituskyvyn	Pienennä tukkien kokoa ennen niiden halkaisemista puunhalkaisukoneessa.
Puunhalkaisukone liikkuu nykyivin liikkein.	Hydrauliöljyä ei ole ja hydraulijärjestelmässä on liikaa ilmaa.	Tarkista öljytaso ja lisää tarvittaessa. Ota yhteyttä jälleenmyyjään
Öljyä valuu sylinterin renkaasta tai muista kohdista.	Ilma tiivistynyt hydraulijärjestelmään käytön aikana.	Löysää ilmausruuvia 3–4 kierrosta ennen puunhalkaisukoneen käyttämistä.
	Ilmausruuvia ei ollut kiristetty ennen puunhalkaisukoneen siirtelyä.	Kiristä ilmausruuvi ennen puunhalkaisukoneen siirtelyä.
	Öljyntyhjennuspultti ei ole kireällä.	Kiristä öljyntyhjennuspultti.
	Hydraulinen ohjausventtiilikokoonpano ja/tai -tiiviste(et) kuluneet	Ota yhteyttä jälleenmyyjään.
Moottori pysähtyy ja käynnistyy	Ylikuormitussuojalaite on pysäyttänyt toiminnan suojatakseen puunhalkaisukonetta vaurioitumiselta.	Ota yhteyttä hyväksytyyn sähköasentajaan, jos haluat avata painikekotelon, jonka sisällä on ylikuormitussuojalaite.

YMPÄRISTÖNSUOJELU

Tietoja (yksityisten kotitalouksien) käytetyn sähkö- ja elektroniikkalaitteiston (Waste Electrical and Electronic Equipment, WEEE) ympäristöllisesti vastuullisesta hävittämisestä.



Tämä symboli tuotteissa ja tai sen mukana tulevissa asiakirjoissa osoittaa, että käytettyjä ja loppuun kuluneita sähkö- ja elektroniikkalaitteita ei saa hävittää kotitalousjätteen mukana. Asianmukaista hävitystä, käsittelyä, uudelleenkäyttöä ja kierrätystä varten vie nämä tuotteet nimettyihin keräyspisteisiin, joihin ne hyväksytään ilmaiseksi. Vaihtoehtoisesti joissain maissa voit palauttaa ne vähittäismyyjällesi ostaessasi uutta vastaavaa tuotetta. Kun hävität tämän tuotteen asianmukaisesti, autat säilyttämään arvokkaita luonnonvaroja ja estämään sellaisia mahdollisia haitallisia vaikutuksia ihmisterveydelle ja ympäristölle, joita voisi muutoin ilmetä virheellisestä jätteenhävittämisestä ja -käsittelystä. Ota yhteyttä paikalliseen viranomaiseen

saadaksesi lisätietoja lähimmästä nimetystä keräyspisteestä. Tämän jätteen virheellisestä hävittämisestä voidaan määrätä rangaistuksia kansallisen lainsäädännön mukaisesti.

YRITYSKÄYTTÄJILLE EUROOPAN UNIONISSA.

Jos haluat heittää pois sähkö- tai elektroniikkalaitteistoa, ota yhteyttä jälleenmyyjäsi tai tavarantoimittajaasi saadaksesi lisätietoja.

Tietoja hävittämisestä muissa maissa Euroopan unionin ulkopuolella.

Tämä symboli on voimassa on vain Euroopan unionissa.

Jos haluat hävittää tämän tuotteen, ota yhteyttä paikallisiin viranomaisiin tai jälleenmyyjäsi ja kysy neuvoa asianmukaisesta hävitysmenetelmästä.

SYMBOLIT

Työkalu arvokilvessä voi olla symboleita. Ne merkitsevät tärkeää tietoa tuotteesta tai ohjeita sen käyttöön.



Käytä kuulosuojaimia.

Käytä suojalaseja.

Käytä hengityssuojaa.



Vastaa voimassa olevia turvallisuusstandardeja.



Lue käyttöohje.



Käytä suojakäsineitä



Käytä turvajalkineita



Käden leikkautumisen tai murskautumisen vaara



Huomioi aina koneen liike.



Suojaa kätesi



Irrota laite pistorasiasta, kun sitä ei käytetä.



Tarkasta puunhalkaisukone ennen käyttöä vaurioiden varalta



Vanhoja sähkölaitteita ei saa hävittää kotitalousjätteen mukana. Toimita ne kierrätystä varten keräyspisteeseen. Pyydä kierrätysohjeita paikallisilta viranomaisilta tai jälleenmyyjältä.



Tuote vastaa RoHS-vaatimuksia



Tätä konetta saa käyttää vain yksi ihminen. Pidä sivulliset ja lapset turvallisella etäisyydellä työskentelyalueesta koneen ollessa käytössä.



Suojele ympäristöä

INLEDNING

Tack för att du köper denna produkt som har genomgått vår omfattande kvalitetssäkringsprocess. Stor noggrannhet har lagts på att säkerställa att den levereras i felfritt skick.

SÄKERHETEN FRAMFÖR ALLT

Innan du börjar använda denna elektriska maskin bör följande säkerhetsåtgärder genomföras för att minska risken för bränder, elchocker och personskada. Det är viktigt att du läser bruksanvisningen för att förstå hur maskinen fungerar, dess begränsningar och vilka faror som kan förekomma med den.

GARANTICERTIFIKAT

Denna produkt har en garanti på 2 år med början på köpdagen och gäller enbart den första köparen. Garantin täcker endast fel som uppstår på grund av defekta material och/eller tillverkningsfel som uppdagas under garantiperioden, och täcker inte förbrukningsmaterial. Tillverkaren åtar sig att reparera eller ersätta produkten enligt eget gottfinnande på följande premisser: Att produkten använts i enlighet med rekommendationerna i bruksanvisningen samt att den inte har missbrukats, hanterats med ovetenskap eller använts för opassande ändamål, att den inte har plockats isär eller manipulerats på något sätt eller har reparerats av obehörig personal eller har hyrts ut. Transportskador täcks inte av garantin då dessa är transportföretagets ansvar. Garantifordringar måste göras omgående och till återförsäljaren under garantiperioden. Endast under mycket speciella omständigheter kan det bli aktuellt att returnera produkten till tillverkaren. I dessa fall ansvarar kunden för returkostnaden och att produkten förpackas med tillräckligt skydd mot transportskador. Returen måste innehålla en kort beskrivning av produktfelet samt en kopia på kvittot eller annat köpbevis. Tillverkaren ansvarar inte för några speciella, direkta, indirekta, oavsiktliga eller efterföljande förluster eller skador under denna garanti. Denna garanti är ett tillägg till, och påverkar inte på något sätt, konsumentens rättigheter i och med konsumentköplagen.

LAGSTADGADE RÄTTIGHETER

Denna garanti är ett tillägg till, och påverkar på inget sätt, dina lagstadgade rättigheter.

BORTSKAFFANDE AV PRODUKTEN

När produkten når slutet av sin livstid eller bortskaffas av någon annan anledning ska den inte slängas i hushållssoporna. För att bevara naturresurserna och minimera miljöpåverkan ber vi dig att göra dig av med produkten på ett miljövänligt sätt. Den ska återvinnas på en återvinningsstation eller annan behörig insamlings- och sophanteringscentral.

Om du är osäker på hur produkten ska sorteras kan du kontakta den lokala sophanteringsstationen gällande återvinning och bortskaffande.

SÄRSKILDA SÄKERHETSFÖRESKRIFTER

Läs noga igenom denna bruksanvisning. Bekanta dig med enhetens användning och begränsningar, samt eventuella risker som förknippas med den.

Använd inte denna vedklyv när under påverkan av narkotiska ämnen, alkohol eller medicin som påverkar din förmåga att kontrollera enheten.

Stå aldrig på maskinen. Stå alltid i en stadig position för att behålla balansen. Förvara inga föremål ovanför vedklyven eller i dess närhet, så att ingen klättrar upp på maskinen för att nå dem.

Lämna aldrig maskinen oövervakad när strömmen är ansluten (brytaren i läget "on" (på)). Efter användning, säkerställ att maskinen är fränkopplad ur eluttaget. Lämna aldrig maskinen innan du har säkerställt att den har stannat helt.

Varje gång du justerar, flyttar eller underhåller maskinen, se först till att den är helt urkopplad från eluttaget.

Denna maskin får endast användas av en person i taget. Denna maskin får endast användas av en ansvarig vuxen som har läst igenom bruksanvisningen och förstått dess innehåll.

Se alltid till att strömkabeln är fullt skyddad.

Se alltid till att maskinen inspekteras efter eventuella skador före användning. Var noga med att hålla maskinen korrekt underhållen.

Håll alltid ett säkerhetsavstånd mellan handen och stocken, samt mellan tryckplattan och klyvkilen.

Försök inte att placera en stock i vedklyven när pumpen är i rörelse.

Håll handen på ett säkert avstånd från sprickor och brytningar som kan öppnas i stocken; de kan stängas plötsligt.

Forcera inte stocken som ska klyvas mot knivens övre del. Det kan bryta av kniven eller skada ramen. Placera alltid stocken på stödet.

Be aldrig någon om hjälp med att få lös en stock som fastnat.

Använd inte en maskin med elmotor om luften innehåller gas, bensinångor eller andra lättantändliga ångor.

Se till att strömförsörjningen är ordentligt skyddad och att den överensstämmer med motorns märkeffekt, spänning och frekvens. Kontrollera också att strömförsörjningen är jordad och att den är ansluten till en differentialbrytare.

Jorda vedklyven. Undvik fysisk kontakt med jordade föremål som t.ex. rör, element och kylskåpsramar.

Säkerställ att ditt finger inte rör vid stockkontaktens metallspets när den ansluts eller fränkopplas ur ett eluttag.

Använd en kabel med en diameter på minst 2,5 mm².

Undvik att använda öppna och otillräckligt isolerade anslutningar. Anslutningen måste vara lämplig för utomhusbruk genom att använda en isolerad kabel.

Användning av en förlängningskabel som är för lång eller för tunn kan orsaka en spänningsminskning, vilket förhindrar motorn från att drivas med full effekt. Säkerställ att förlängningskabeln inte är längre än 10 meter.

SÄKERHETS-OBSERVATIONER

Varning! Skydds- och säkerhetsutrustning får inte manipuleras och bör inte heller tas bort.

Fara! Risk för kapning och krossning av hand; vidrör aldrig de farliga områdena när vedklyven är i drift.

Varning! Var alltid uppmärksam på vedklyvens rörelse.

Varning! Ta aldrig lös en stock som fastnat på klyvkilen för hand.

Varning! Spänning enligt VIN-plåten.

SÄRSKILD VARNING VID ANVÄNDNING AV VEDKLYVEN

Användning av denna maskin med hög effekt kan leda till mycket farliga situationer. Var noga med din och andras säkerhet.

HYDRAULSYSTEM

Använd aldrig denna maskin om hydraulsystemet inte är i ett säkert skick. Innan du använder maskinen, kontrollera så att hydraulsystemet inte läcker. Var noga med att hålla maskinen och arbetsområdet rent och att det inte finns några oljeläckor. Hydraulvätskan kan orsaka farliga situationer; du kan halka på vätskan och falla, händerna kan glida när du använder maskinen eller en brandrisk kan uppstå på grund av vätskan.

ELEKTRISK SÄKERHET

Använd aldrig denna maskin när de elektriska anslutningarna inte är i ett säkert skick. Använd aldrig elektrisk utrustning under våta förhållanden. Använd aldrig denna maskinen när den är ansluten till en farlig ström- eller förlängningskabel. Använd aldrig denna utrustning om den inte är korrekt ansluten till ett jordat eluttag som har en spänning som är lämplig för maskinen och skyddas med en säkring på 10 A.

HOT MOT DIN FYSISKA HÄLSA

Det kan uppstå situationer vid vedklyvning som är extra farliga för din fysiska hälsa. Använd aldrig denna utrustning utan ordentliga skyddshandskar (som inte leder ström), halksäkra kängor med stålhätta och godkänt ögonskydd. Se upp för splitter från klyvningen; de kan orsaka skador och fastna i maskinen. Använd ett hårskydd så att håret inte kommer i närheten av maskinen eller fastnar i maskineriet.

Använd inte löst sittande kläder, slips eller smycken (ringar, klockor osv.). De kan fastna i maskinens rörliga delar.

Försök aldrig att klyva stockar som är för stora eller för små för att passa i maskinen.

Försök aldrig att klyva stockar som har spikar, ståltråd eller någon annan komponent som kan skada maskinen.

Städa upp medan du arbetar: träbitar och träflis som kan skapa en farlig arbetsmiljö.

Fortsätt aldrig att arbeta i en arbetsmiljö som är full av material som kan få dig att halka, snubbla eller ramla. Håll åskådare på ett säkert avstånd från maskinen. Låt aldrig någon utomstående använda maskinen. Åskådare (personer och djur) måste hålla sig på ett avstånd av minst 5 meter från maskinen.

Säkerställ att arbetsområdet är väl upplyst.

WARNING! Ingen varningslista kan täcka alla eventuella faror. Användaren måste använda sunt förnuft och använda maskinen på ett säkert sätt.

Innan arbetet startas bör grundläggande procedurer för säker användning gås igenom.

EGENSKAPER FÖR DENNA VEDKLYV

Maskinen är enkel att flytta och transportera tack vara sin portabla, lätta vikt och inbyggda hjul.

Kraft. Trästockarna klyvs snabbt med maskinens kraft på 6 ton.

Drivs med elström. På grund av det praktiska och pålitliga eldrivna hydraulsystemet undviks de besvär och kostnader som vanligtvis uppstår från underhållet av en liten bränslemotor. Maskinen behöver bara anslutas till en strömkälla för att starta klyvningen.

Hydraulpump. Den effektiva hydraulpumpen klyver stockar på ett säkert och kontrollerat sätt utan axlar, släggor eller kilar.

Säkerhetskontroll som kräver båda händerna. Det inbyggda säkerhetsmönstret håller din hand på ett säkert avstånd från stocken och maskinen vid användning.

SÄRSKILDA SÄKERHETSANVISNINGAR FÖR VEDKLYVEN

Innan du startar maskinen, kontrollera skicket på överbelastningsskyddet och skyddsplåten.

Innan du startar maskinen, säkerställ att det inte läcker olja från maskinen och att den hydrauliska oljenivån är mellan skårorna på oljestickan.

Innan du startar maskinen, kontrollera vedklyvens skick. Håll skyddsutrustningen på plats och i ett gott skick. Gör det till en vana att kontrollera att alla arbetsverktyg tagits bort från arbetsområdet innan du startar maskinen. Byt ut skadade, saknade och skickade delar före maskinen används.

Starta maskinen utan belastning och kontrollera att den är i ett funktionsdugligt skick.

Kom ihåg de eventuella faror som kan utvecklas vid klyvning av vissa stocktyper (t.ex. stockar som är ojämna eller har oregelbundna former).

Kom ihåg alltid använda felstömbytare.

Klyv aldrig stockar som är större än den stockstorlek som anges i bruksanvisningen. Försök aldrig att klyva stockar med föremål som t.ex. spikar eller ståltråd som är farliga för maskinens drift.

Stockens nedre yta bör klyvas jämnt och det får inte finnas några kvistar på stocken. Stocken ska klyvas i träfibrets riktning. Placera aldrig en stock i stående läge på vedklyven.

Användaren måste alltid använda styrenheten med bägge händerna. Styrenheten får inte användas på något annat sätt.

Placera maskinen på en horisontell och stabil stödyta. Säkerställ att det finns tillräckligt med utrymme för att röra dig runt maskinen. Säkerställ att det inte finns några föremål på stödytan som kan förhindra att maskinen rör sig fritt. Av detta skäl så rekommenderar vi att ett arbetsbord för vedklyvar används. Använd aldrig maskinen placerad på backen. Montera vedklyven till en basenhet om den flyttar på sig vid användning.

Fara! Klyv aldrig två stockar samtidigt.

Fara! Lägg aldrig på nästa stock eller byt ut en stock medan maskinen är i drift.

Fara! Manipulera aldrig vedklyvens skyddsutrustning och använd inte maskinen utan skyddsutrustning.

Varning! Forcera aldrig vedklyven i mer än fem sekunder vid klyvning av mycket hårt trä. Efter denna tidsperiod kan oljan överhettas. Ändra positionen på mycket hårt trä med 90 grader för att se om den kan klyvas i den andra riktningen. Om du inte kan klyva stocken innebär det att träets hårdhet överstiger maskinens kapacitet.

Förbudet! Öppna aldrig kopplingsboxen eller skyddet för den elektriska motorn. Kontakta en kvalificerad elektriker vid behov.

Varning! Var noga med att maskinen och dess strömkabel hålls långt borta från vatten. Hantera strömkabeln med försiktighet.

Ryck eller slit aldrig i strömkabeln. Håll strömkabeln på avstånd från höga temperaturer, olja och skarpa föremål.

Använd inte maskinen utan att skydden är monterade. Det kan leda till allvarliga personskador för användaren.

FINNS I FÖRPACKNINGEN (BILD 1/1A)

1.	Vedklyv
2.	Hjul x 2
3.	Hjulaxel
4.	Horisontell axel med 2 inre sexkantbultar (M6 x 35) och brickor x 2
5.	Horisontellt ben med 2 bultar
6.	Främre ben x 2
7.	Bakre ben x 2
8.	Handtag
9.	Hjulkåpa x 2
10.	Inre sexkantbult (M8 x 45) x 4, brickor x 8, mutter x 4
11.	Låsring x 4
12.	Lucka A
13.	Övre lucka
14.	Veduppsamlare
15.	Stödfäste x 2
16.	Lucka B
17.	Sidoskydd
18.	Utvändiga sexkantsbultar (M6x12) 6 st
19.	Packning (Ø6) 4 st
20.	Låsmutter (M6) 4 st
21.	Utvändiga sexkantsbultar (M8x16) 2 st
22.	Packning (Ø8) 2 st
23.	Låsmutter (M8) 2 st
24.	Packning (Ø5) 13 st
25.	Fjäderbricka (Ø5) 13 st
26.	Utvändiga sexkantsbultar (M5x10) 13 st
27.	Vred 2 st
28.	Packning (Ø6) 2 st

UPPACKNING OCH MONTERING

WARNING! Verktyget bör aldrig vara anslutet till ett eluttag vid montering av delar, justeringar, rengöring, underhåll eller när verktyget inte används. När verktyget är frånkopplat förhindrar det oavsiktlig start som kan orsaka allvarliga personskador.

Ta ut alla delar från förpackningen och kontrollera att alla paket är i ett bra och oskadad skick. Kontakta omedelbart återförsäljaren om en del saknas eller är felaktig.

MONTERA DE BAKRE BENEN

1. Vänd vedklyven upp och ner och montera de två bakre benen till vedklyven (bild 2 och 3).
2. Montera de bakre benen till vedklyven med 2 inre sexkantsskruvar (se bild 4 och 5). Dra endast åt skruvarna för hand i detta skede.
3. Installera den horisontella axeln i hålen på det bakre benet och dra åt skruvarna för hand (bild 6).
4. Skjut hjulaxeln genom hålen på botten av de bakre benen (bild 7).
5. Montera en låsring i det försänkta området på ena sidan av hjulaxeln (bild 8). För att öppna låsringen krävs det en låsringstång.
6. Montera ett hjul på hjulaxeln så att det ligger mot låsringen (bild 9).
7. Montera en till låsring på hjulaxeln för att hålla hjulet på plats (bild 10).
8. Montera fast hjulsidan på hjulet (bild 11).
9. Upprepa steg 5-8 för att montera det andra hjulet till hjulaxeln.
10. Dra åt alla skruvar, som tidigare drogs åt för hand, med en skiftnyckel (bild 12 och 13).

MONTERA DE FRÄMRE BENEN

1. Med vedklyven ännu upp och ner, montera de två främre benen till vedklyven (bild 14).
2. Montera de främre benen till vedklyven med 2 inre sexkantsskruvar (se bild 15 och 16). Dra endast åt skruvarna med fingrarna i detta skede.
3. Installera den horisontella axeln i hålen på det bakre benet och dra åt skruvarna för hand (bild 17 och 18).
4. För in det horisontella benet på de två främre benen (bild 19).
5. Dra åt skruvarna för hand (bild 20).
6. Dra åt alla skruvar, som tidigare drogs åt för hand, med en skiftnyckel (bild 21).

När benen har monterats, säkerställ att alla fästskruvar är ordentligt åtdragna med en skiftnyckel.

En färdigmonterad vedklyv ska se ut ungefär som på bild 22.

MONTERA HANDTAGET

1. Montera handtaget till maskinens främre del med de 2 medföljande skruvarna (bild 23).

MONTERA SKYDDET

1. Skruva upp bultarna som är monterade på de övre delarna av frambanen och anslut stödfästen. Skruva tillbaka bultarna på plats (bild 24).

2. Montera skydden enligt bild 25 med utvändiga sexkantsbultar (M5x10), fjäderbrickor (Ø5) och packningar (Ø5). Det finns 13 delar av vardera objekt.
3. Montera skyddet till vedklyven. Montera den bakre delen av skyddet med 2 x utvändiga sexkantsbultar (M8x16), 2 x packningar (Ø8) och 2 x låsmuttrar (M8) (bild 26).

Montera den bakre delen av skyddet med 4 x utvändiga sexkantsbultar (M8x16), 4 x packningar (Ø8) och 4 x låsmuttrar (M8) (bild 26).
4. Montera veduppsamlaren till skyddet vid fästpunkterna 1 och 2 (bild 28). Använd 1 x utvändig sexkantsbult på fästpunkten. Upprepa samma procedur för den andra sidan på skyddet.

För fästpunkt två, använd 1 x vred och 1 x packning (Ø6). Upprepa samma procedur för den andra sidan på skyddet. För att justera veduppsamlarens höjd, lossa på vreden och dra sedan åt dem igen när önskad höjd har uppnåtts.

KOMPONENTER OCH KONTROLLER (BILD 29)

1.	Skydd
2.	Tryckplatta
3.	Arbetsbord
4.	Veduppsamlare
5.	Brytare
6.	Motor
7.	Tryckknappsbox
8.	Hjul
9.	Hydraulisk styrspek
10.	Skydd för kontrollspek
11.	Luftningsskruv
12.	Oljeavtapningsbult med oljesticka

FÖRBEREDELSE FÖRE ANVÄNDNING

VARNING! Innan vedklyven används måste luftningsskruven lossas några varv för att släppa in/ut luft ur oljebehållaren.

Luftflödet genom luftningsskruven bör vara märkbart när vedklyven är i drift.

Innan du flyttar på vedklyven, se till att luftningsskruven är åtdragen för att undvika oljeläckage.

Om luftningsskruven inte lossas kommer den förseglade luften i hydraulsystemet att komprimeras efter dekomprimeringen. Kontinuerlig luftkomprimering och dekomprimering kommer att blåsa ut tätningarna i hydraulsystemet och orsaka permanent skada på vedklyven.

SKRUV FÖR MAXIMALT TRYCK (BILD 30)

VARNING! Justera inte skruven för maximalt tryck. Det maximala trycket har ställts in av en erfaren mekaniker med professionella instrument för att säkerställa att vedklyven fungerar under tryck som inte överstiger 6 ton. Obehörig återställning kommer att orsaka hydraulpumpsfel och kan leda till allvariga skador på person och maskinen.

POSITIONERA STOCKARNA

Placera alltid stockarna på kvarhållningsplattorna.

Se till att stockarna inte vrids, gungar eller glider under klyvningen.

Forcera inte vedklyven genom att klyva stocken mot den övre delen på klyvkilen. Det kommer att bryta av klyvkilen eller skada maskinen.

Klyv stocken i träfibrets riktning.

Placera inte stocken tvärs över vedklyven för klyvning. Det kan vara farligt och kan skada maskinen permanent.

Försök inte att klyva 2 stockar samtidigt. En av dem kan flyga upp och träffa dig.

REKOMMENDERAD STOCKSTORLEK

Stockstorlek: 520 mm (längd) x 50-250 mm (diameter).

Diametern som anges är endast en riktlinje. Om stocken har en knut eller träfibret är för hårt kommer det bli mycket svårt att klyva stocken. Om träfibret på en annan stock däremot är jämnt och mjukt så kanske vedklyven kan klyva den.

ANVÄNDNING

Denna vedklyv är designad för att användas av endast en person och kräver två händer för att användas. Den vänstra handen styr den hydrauliska styrspaken och den högra handen kontrollerar tryckknappsboxen.

Tryck in och håll ner tryckknappen (bild 31) (1).

Tryck sedan ner styrspaken (bild 31) (2) för att starta vedklyven.

Vedklyven stoppas på stället om en av kontrollerna släpps upp.

När båda kontrollerna släpps återgår vedklyven till sitt startläge.

OBS! När klyvningen har påbörjats, sträck aldrig efter något i klyvningszonen.

VARNING! FORCERA ALDRIG VEDKLYVAREN I MER ÄN 5 SEKUNDER FÖR ATT KLYVA MYCKET HÅRT TRÄ. EFTER DENNA TID KOMMER OLJAN SOM ÄR UNDER TRYCK ATT ÖVERHETTAS OCH MASKINEN KAN SKADAS.

För mycket hårda stockar, rotera stocken 90 ° för att se om den kan klyvas i en annan riktning. Hur som helst, om du ännu inte kan klyva stocken innebär det att trästocken överskrider maskinens kapacitet. Kasta undan stocken för att skydda vedklyven från skador.

FRIGÖRA EN STOCK SOM FASTNAT (BILD 32)

Släpp upp båda kontrollerna.

Vedklyven flyttas bakåt och stannar helt i sitt startläge.

För in en träkil under stocken som fastnat.

Starta tryckplattan för att skjuta in kilen under stocken som fastnat.

Upprepa ovanstående procedur med kilar som har högre lutning tills stocken är helt lös.

Varning! Försök inte att slå bort stocken, det kan skada maskinen eller göra så att stocken flyger uppåt och orsakar en olycka.

UNDERHÅLL

Varning! Säkerställ att vedklyven är avslagen och strömkontakten är utdragen ur eluttaget innan någon rengöring eller underhållning påbörjas.

BYTA UT HYDRAULOLJAN (BILD 33 OCH 34)

Byt ut hydrauloljan i vedklyven efter cirka 150 timmars användning. Utför följande steg för att byta ut den.

Säkerställ att vedklyven har återgått till sitt startläge och att maskinen är helt frånkopplad från strömkällan.

Lossa på luftskruven tre eller fyra varv.

Lossa på oljeavtappningsbulten med oljesticka och ta bort den.

Placera en skål som rymmer minst 3,5 liter olja under vedklyven. Luta på vedklyven och töm ut oljan i skålen (bild 33).

Luta på vedklyven i den andra riktningen så att hålet för oljebyte är riktat uppåt (bild 34). Håll i hydrauloljan i oljebehållaren via en ren tratt. Håll i den oljemängd som anges nedan.

Torka av oljesticka, använd en ren, mjuk trasa och kontrollera oljenivån som tidigare

Håll i mer olja om så krävs.

Rengör påfyllningsröret och pluggen/oljestickans bricka/tätning ordentligt och sätt tillbaka på plats, dra åt ordentligt för att förhindra oljeläckage. Dra INTE åt för hårt.

Återställ maskinen försiktigt till det normala arbetsläget.

Dra slutligen åt luftningskruven.

HYDRAULOLJA VOLYM

- 3,5 liter

REKOMMENDERAD HYDRAULOLJA

Följande hydrauloljor rekommenderas för användning i hydraulsystemet:

- SHELL Tellus 22
- MOBIL DTE 11
- ARAL Vitam GF 22
- BP Energol HLP-HM 22
- eller annan motsvarande olja

VÄSSA KILEN

När maskinen har använts under en längre tid, eller om nödvändigt, vässa kilen en finkornig fil och jämna sedan försiktigt ut eventuella ojämnheter på klyvytan.

FLYTTNING OCH TRANSPORT

Ta bort strömkabeln från strömkällan innan maskinen flyttas eller transporteras: vänta tills maskinens drift stannat helt; låt maskinen svalna; och linda ihop strömkabeln och fäst den på plats.

VARNING! INNAN VEDKLYVEN FLYTTAS, SE TILL ATT LUFTNINGSSKRUVEN ÄR ÅTDRAGEN FÖR ATT UNDVIKA OLJELÄCKAGE.

När du behöver flytta vedklyven ett kort avstånd, lyft upp det främre handtaget så att den främre delen av maskinen är i luften och hjulen mot backen. Putta eller dra sedan maskinen genom att gå framåt eller bakåt. Var uppmärksam på ojämna och/eller halkiga ytor.

FÖRVARING

Koppla bort vedklyven från strömförsörjningen.

Dra åt luftningsskruv.

Rengör enheten med en torr trasa.

TEKNISKA SPECIFIKATIONER

Spänning	230V - 50 Hz
Motor	2 000 W S6 40%
Klassificerad tonnage	6 ton
IP-klassning	IP54
Max. stocklängd	520 mm
Min. stockdiameter	80 mm
Max. stockdiameter	250 mm
Hydrauliskt tryck	24 Mpa
Oljekapacitet	3,5 liter

FELSÖKNING

PROBLEM	ORSAK	ORSAK
Kan inte klyva stockar.	Stocken är felaktigt placerad.	Se avsnittet "Placera stocken".
	Klyvkilens egg är slö.	Se avsnittet "Vässa klyvkilen"
	Oljeläckage.	Kontakta återförsäljaren.
	Obehöriga justeringar har utförts på skruven för maximalt tryck.	Kontakta återförsäljaren.
	Stockens storlek eller hårdhet överskrider maskinens kapacitet.	Minska stockstorleken innan den klyvs i vedklyven.
Vedklyven har ryckiga rörelser.	Brist på hydraulolja och för mycket lyft i hydraulsystemet.	Kontrollera oljenivån och fyll på om nödvändigt. Kontakta återförsäljaren.
Oljeläckage runt cylinderkolven eller från en annan punkt.	Luft förseglat i hydraulsystemet under drift.	Lossa på luftningsskruven med 3-4 varv innan vedklyven används.
	Luftningsskruven var inte åtdragen före vedklyven flyttades.	Dra åt luftningsskruven innan vedklyven flyttas.
	Oljeavtappningsbulten är inte åtdragen.	Dra åt oljeavtappningsbulten.
	Sliten hydraulisk kontrollventil och/eller slitna tätningar	Kontakta återförsäljaren.
Motorn stoppas och startas	Överbelastningsskyddet har fränkopplats för att skydda vedklyven från skada.	Kontakta en erfaren elektriker för att öppna tryckknappsboxen och aktivera överbelastningsskyddet från insidan.

MILJÖSKYDD

Information (för privathushåll) om miljösäkert bortskaffande av avfall som utgörs av eller innehåller elektriska eller elektroniska produkter (WEEE).



Denna symbol på produkter eller medföljande dokument innebär att använd och konsumerad elektrisk och elektronisk utrustning inte får slängas bland de vanliga hushållssoporna. För korrekt bortskaffande, behandling, återställning och återvinning ska du lämna dessa produkter på särskilt avsedda uppsamlingsplatser där de tas omhand utan kostnad. I vissa länder kan ett alternativ vara att skicka tillbaka produkten till återförsäljaren mot köp av en liknande ny produkt. Korrekt bortskaffande av produkten innebär att viktiga resurser sparas och motverkar farliga konsekvenser för människor och miljön som annars kunnat uppstå på grund av felaktigt bortskaffande och hantering. Kontakta de lokala myndigheterna för mer information om närmaste uppsamlingsplats. Det kan vara straffbart att bortskaffa produkten på annat sätt än utfäst enligt nationell lag.

FÖR FÖRETAGSANVÄNDARE INOM EU.

Om du vill bli av med elektrisk och elektronisk utrustning ska du kontakta din återförsäljare eller leverantör för ytterligare information.

Information om bortskaffande i andra länder utanför EU.

Denna symbol gäller endast inom EU.

Om du önskar att bli av med denna produkt ska du kontakta de lokala myndigheterna och fråga efter korrekt bortskaffning.

SYMBOLER

Typskylten på ditt verktyg kanske visar symboler. Dessa symboler visar viktig information om produkten eller användarinstruktioner.



Använd hörselskydd.
Använd ögonskydd.
Använd andningsskydd.



Uppfyller relevanta säkerhetsstandarder.



Läs bruksanvisningen.



Använd skyddshandskar



Använd skyddsstövlar



Risk för kapning eller krossning av hand



Var alltid uppmärksam på maskinens rörelser.



Skydda dina händer



Koppla från strömmen när maskinen inte används



Inspektera vedklyven före användning efter eventuella skador



Förbrukade elektriska produkter får inte kasseras tillsammans med hushållsavfall. Återvinn på en återvinningsstation. Kontrollera med din kommun eller återförsäljare för information om återvinning.



Produkten uppfyller RoHS-kraven.



Maskinen får endast användas av en person i taget. Håll besökare och barn på ett säkert avstånd från arbetsområdet när maskinen är i drift.



Skydda miljön

EU DECLARATION OF CONFORMITY

- Product model • Tuotteen malli • Produktmodell:** FXA502018666
- Name and address of the manufacturer or his authorised representative:**
Valmistajan tai valtuutetun edustajan nimi ja osoite:
Tillverkarens eller dess auktoriserade representants namn och adress:

NAP BRANDS LTD. Napier House, Unit 7, Corunna Court, Warwick, United Kingdom CV34 5HQ
Tel: +44(0)1926 482880. Email: sales@napbrands.co.uk
- This declaration of conformity is issued under the sole responsibility of the manufacturer.**
Tämä vaatimustenmukaisuusvakuutus on julkaistu yksinomaan valmistajan vastuulla.
Denna deklaration om överensstämmelse utfärdas på eget ansvar av tillverkaren.
- Object of the declaration • Vakuutuksen kohde • Målet med deklarationen**

Equipment • Laite • Utrustning: Log Splitter
Brand name • Tuotemerkki • Namn på varumärke: FXA
Model/type • Malli/tyyppi • Modell/typ: FXA502018666
- The object of the declaration described above is in conformity with the relevant Union harmonisation legislation:**
Yllä kuvatus vakuutuksen kohde on olennaisten Unionin harmonisaatiolainsäädäntövaatimusten mukainen:
Målet med ovanstående deklaration är överensstämmelse med relevant unionslagstiftning om harmonisering:

2006/42/EC, 2014/30/EU, 2011/65/EU
- References to the relevant harmonised standards used or references to the other technical specifications in relation to which conformity is declared:**
Viitteet olennaisiin käytössä oleviin harmonisoiuihin standardeihin tai viitteet muihin teknisiin tietoihin, jotka liittyvät vakuutuksen ilmoitukseen:
Hänvisningar till de relevanta harmoniserade standarder som används eller hänvisningar till andra tekniska specifikationer enligt vilken överensstämmelse försäkras:

EN60204-1; EN609-1; EN55014-1; EN55014-2; EN61000-3-2; EN61000-3-11; EN ISO 12100
- The person authorized to compile the technical file • Henkilö, joka on valtuutettu teknisen tiedoston kokoamiseen**
Den person som är behörig att ställa samman den tekniska dokumentationen

Name • Nimi • Namn: Robert Redfern
Address • Osoite • Adress: Nap Brands Ltd. Napier House, Unit 7, Corunna Court, Warwick, UK CV34 5HQ

Signed for and on behalf of • Allekirjoitus ja allekirjoittaja • Signerad och ombud för

Authorised Representative • Valtuutettu edustaja • Auktoriserad representant



Robert Redfern, Technical Manager
12/01/2019