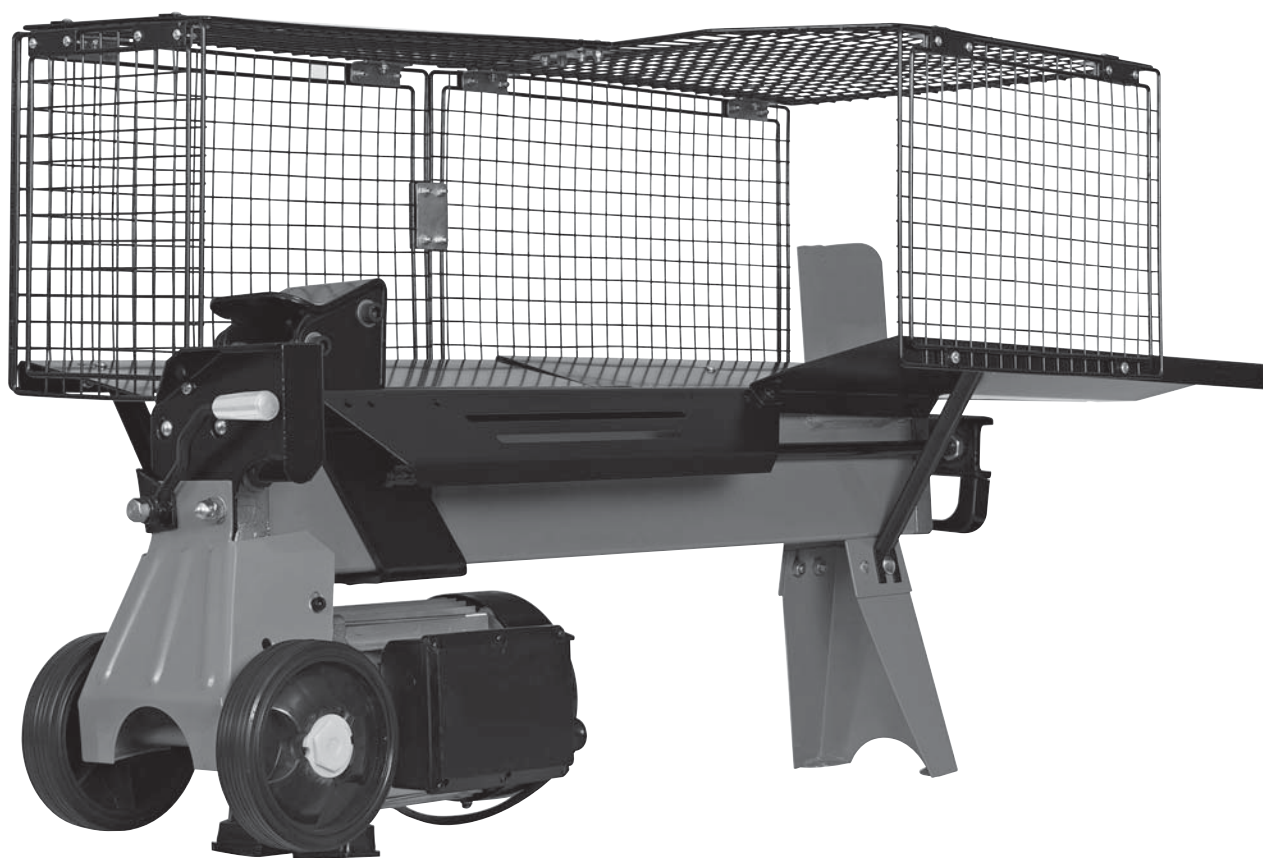


FXA



FXA502018664

Instruction manual (Original instructions)

Käyttöohje (Alkuperäisten ohjeiden käännös)

Bruksanvisning (Översättning av originalinstruktionerna)

Kasutusjuhend (Tõlgitud originaal juhendist)

Instrukcijas (Tulkojums no oriģinālvalodas)

GB pg 10-17

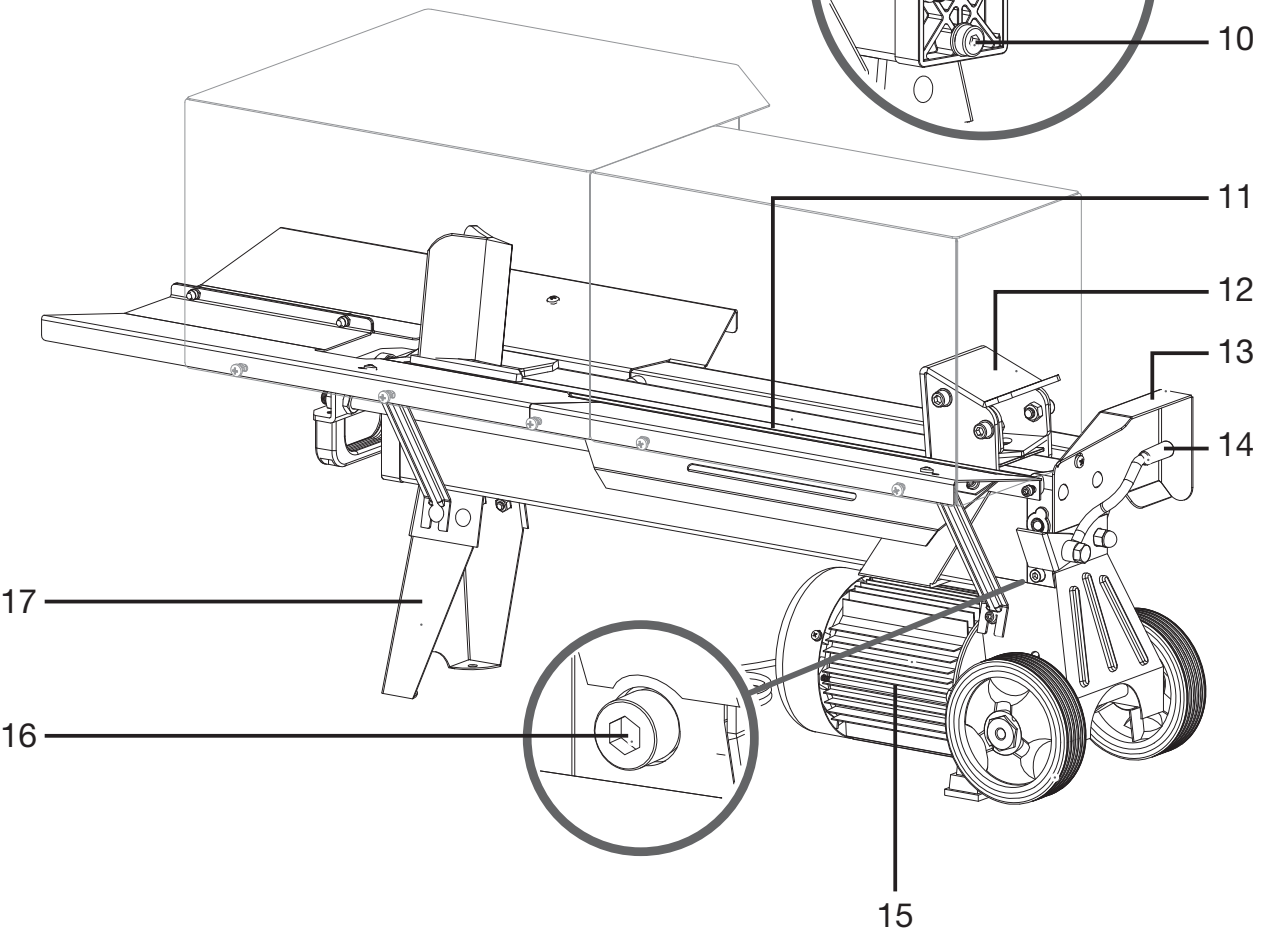
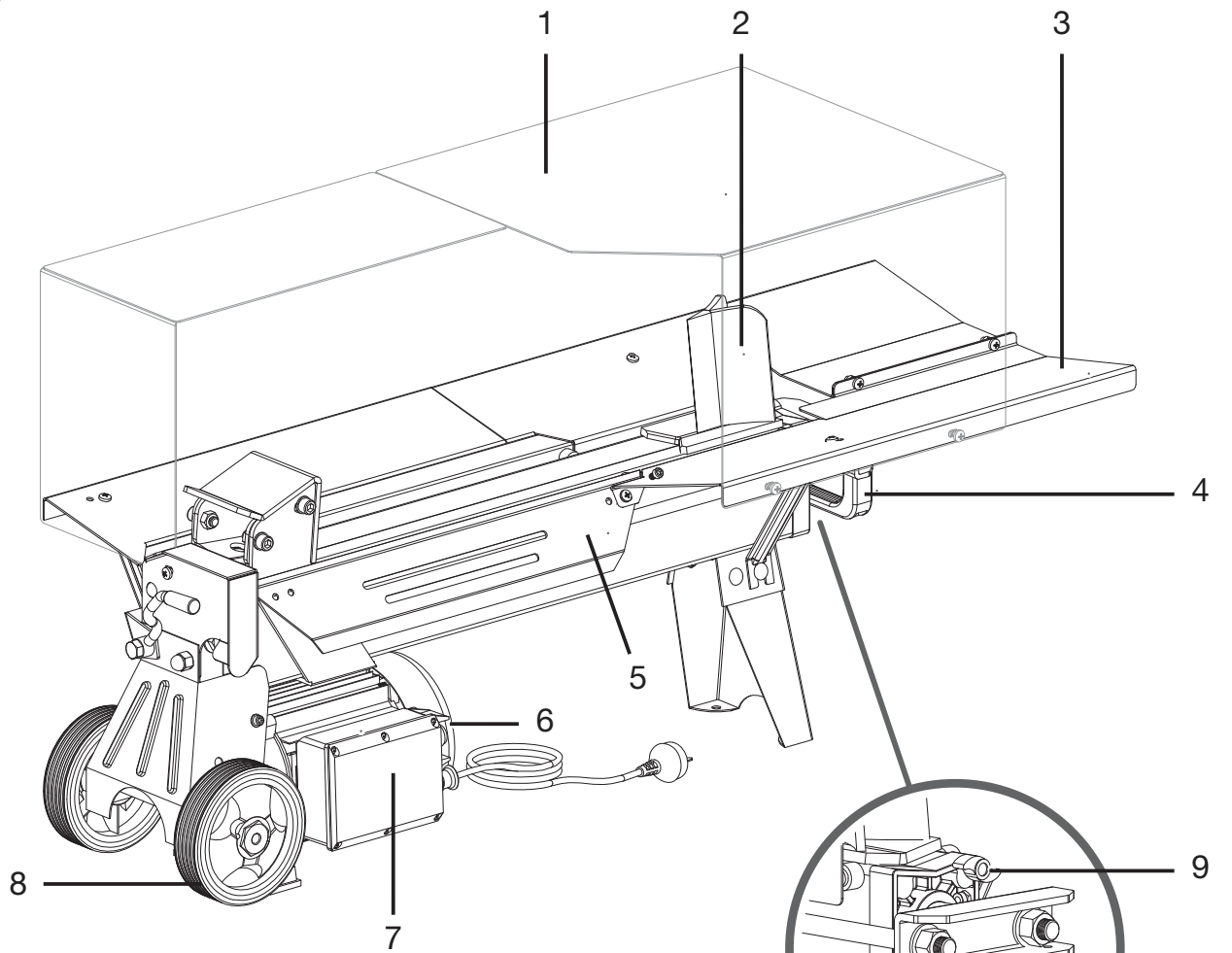
FI pg 18-25

SE pg 26-33

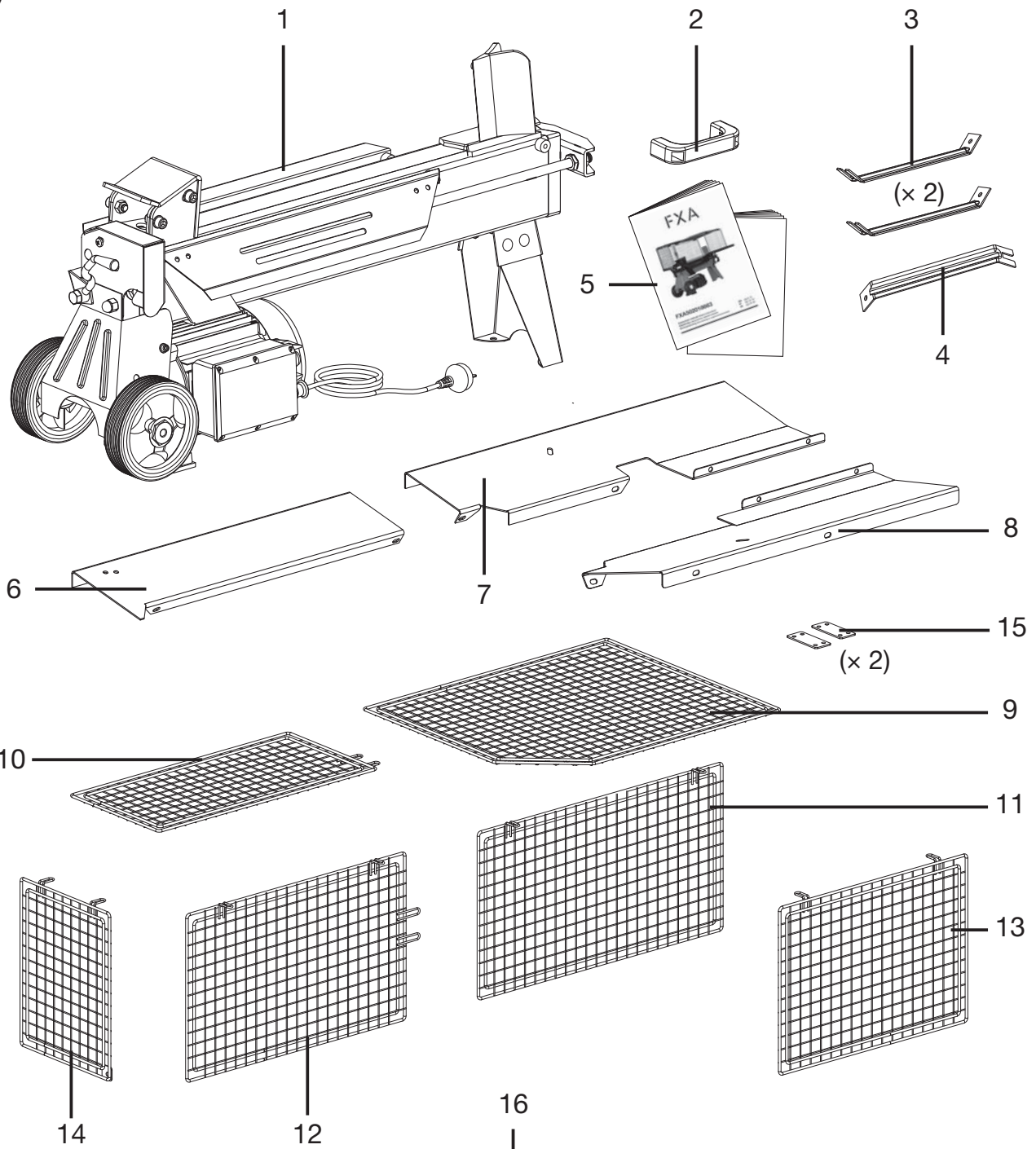
EE pg 34-41

LV pg 42-49

(1)

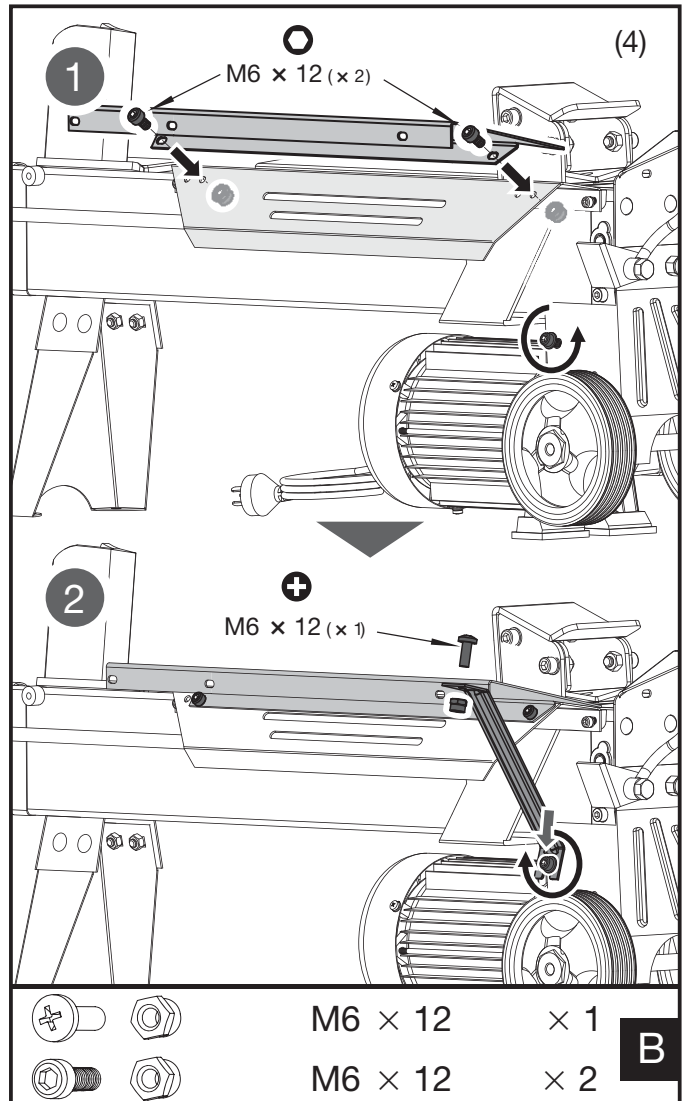
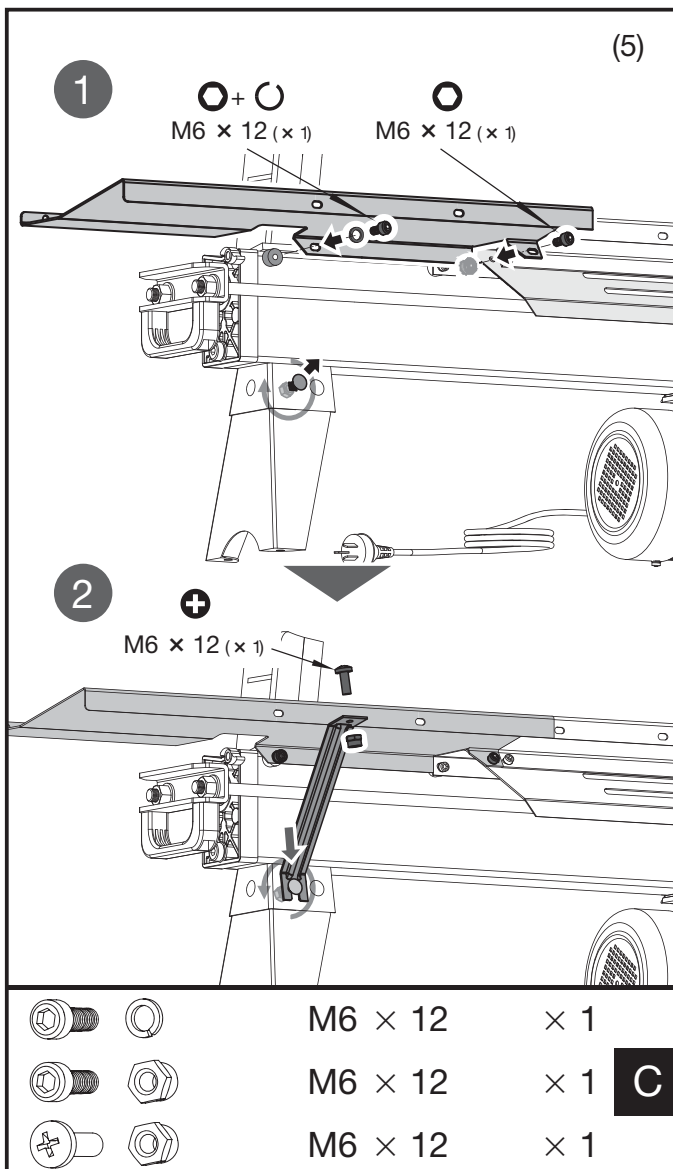
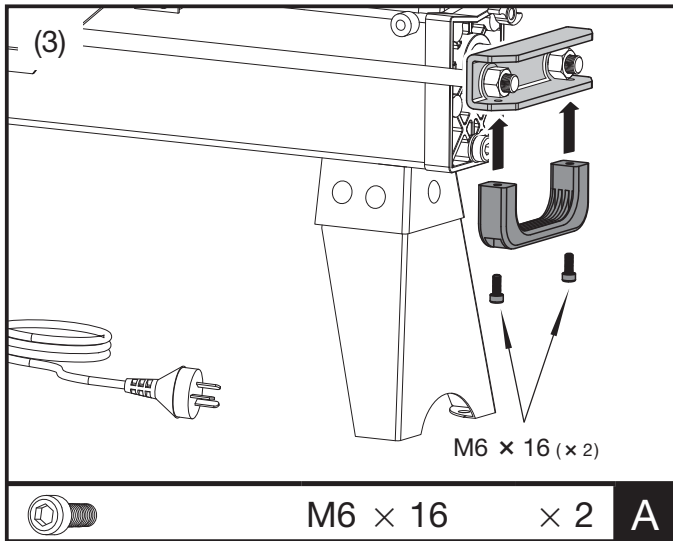


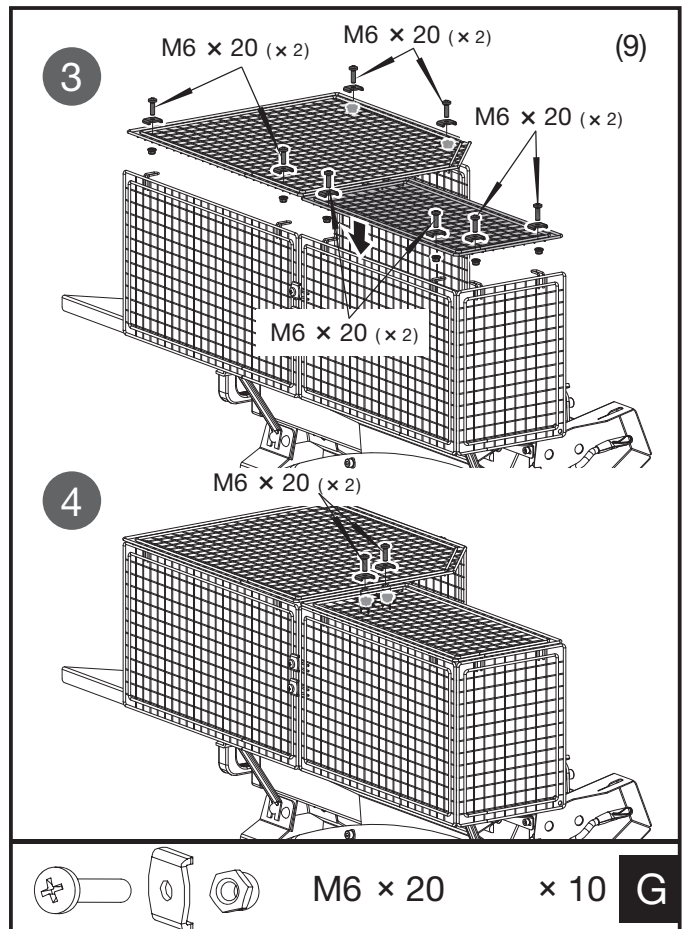
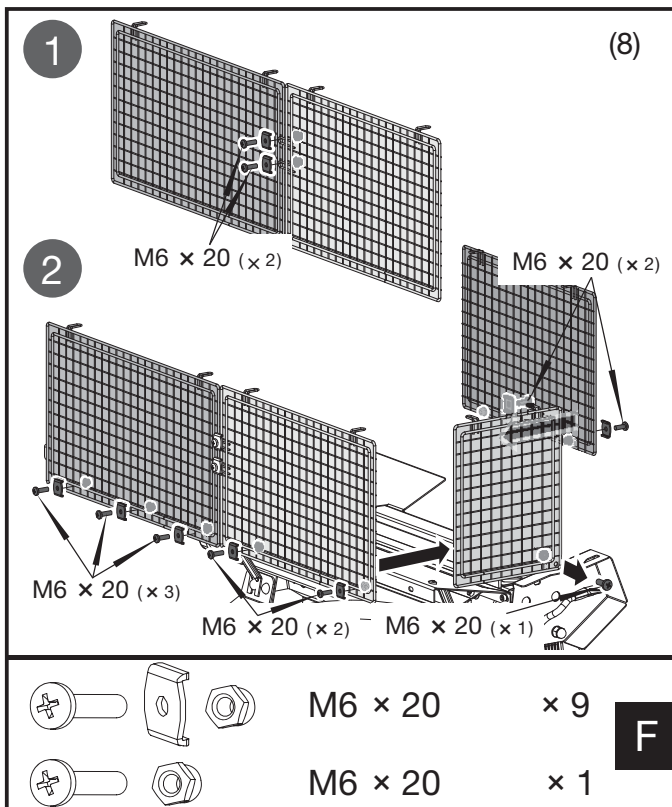
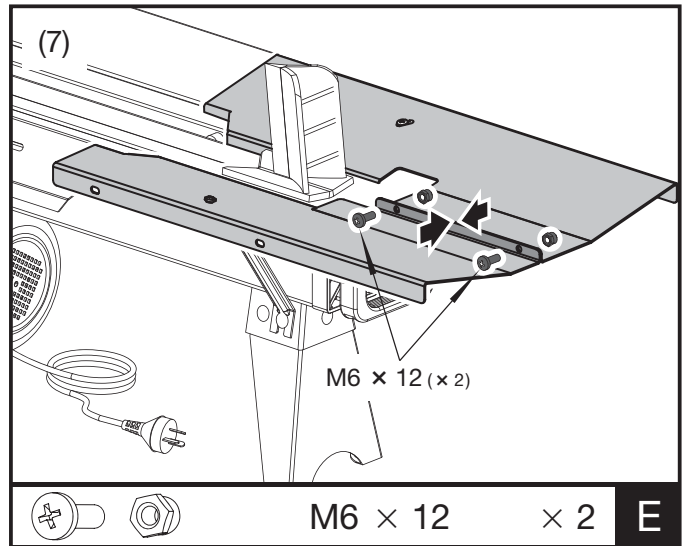
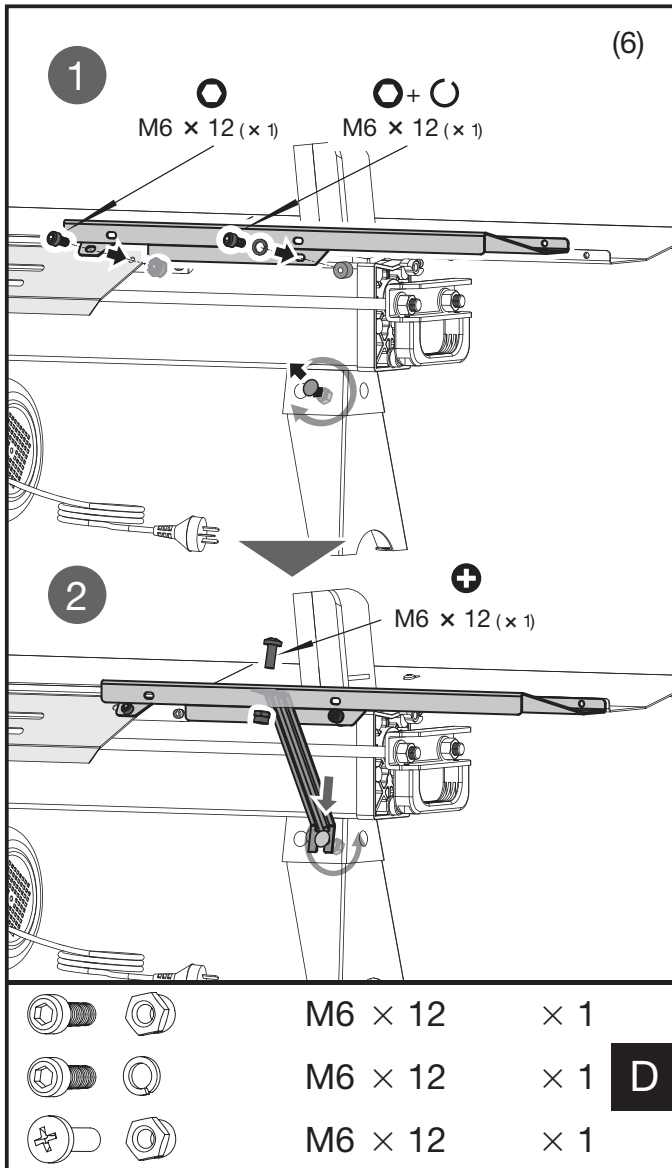
(2)

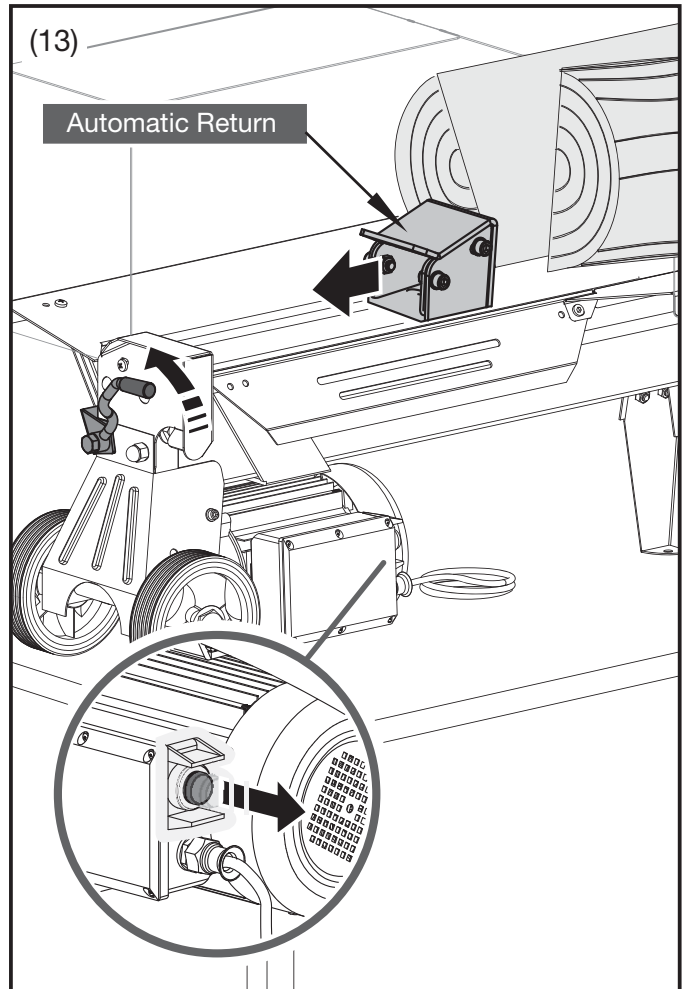
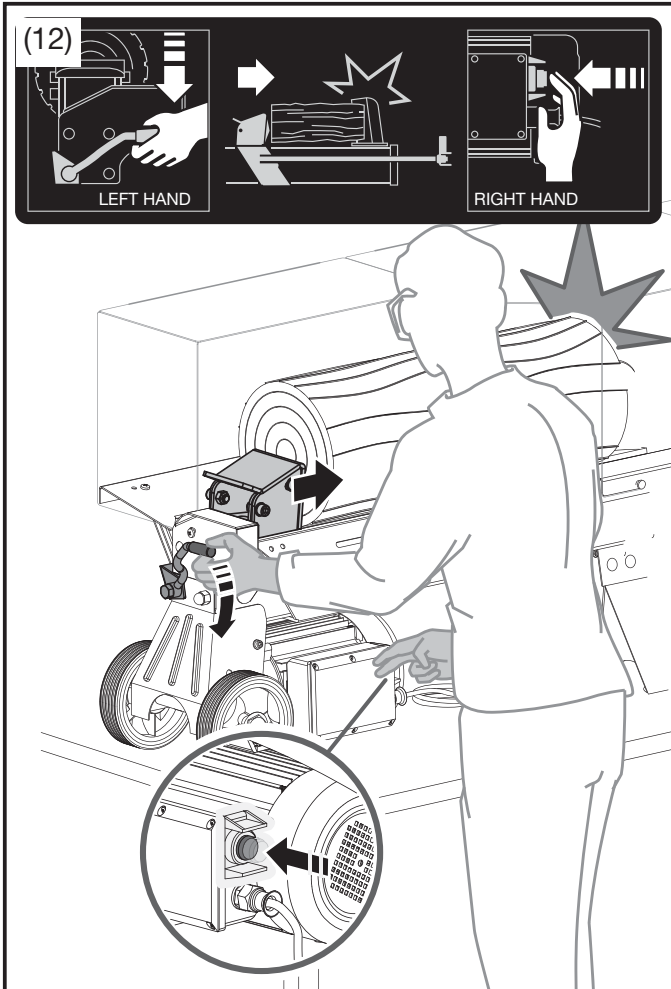
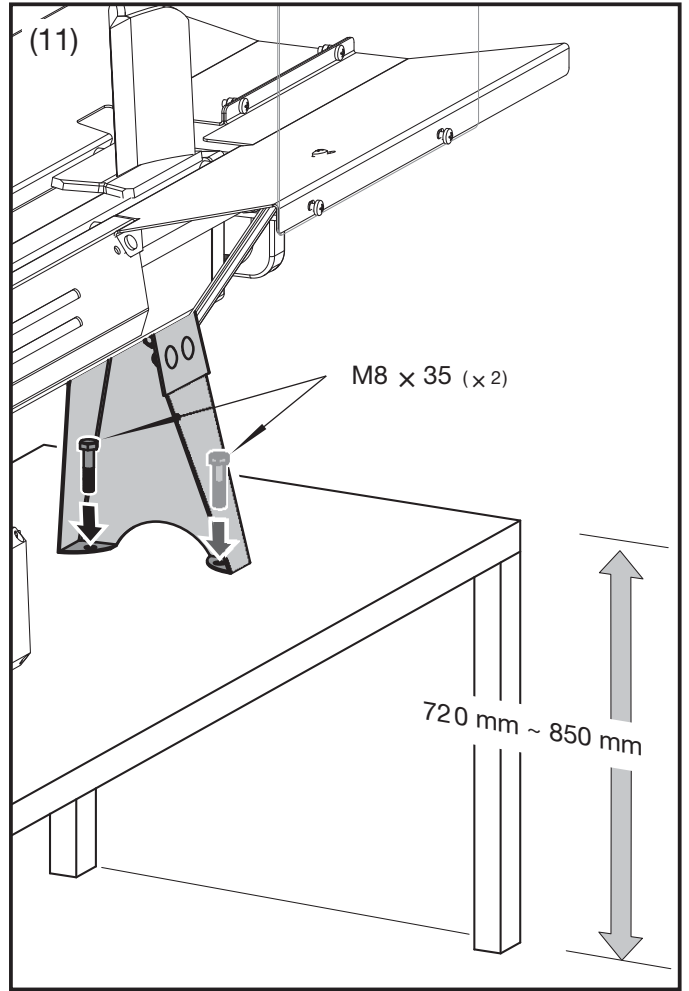
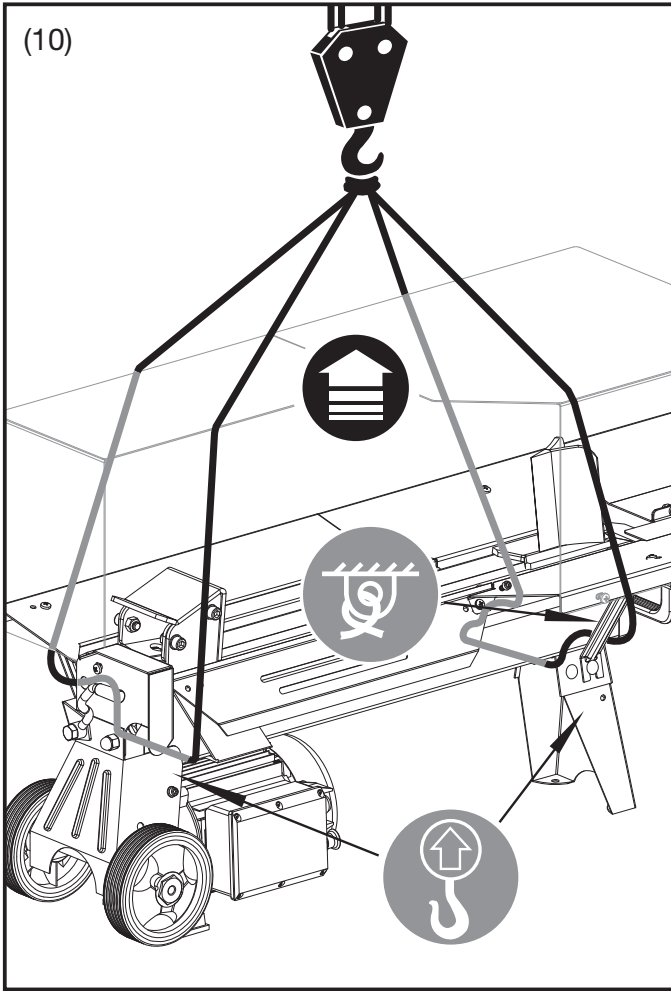


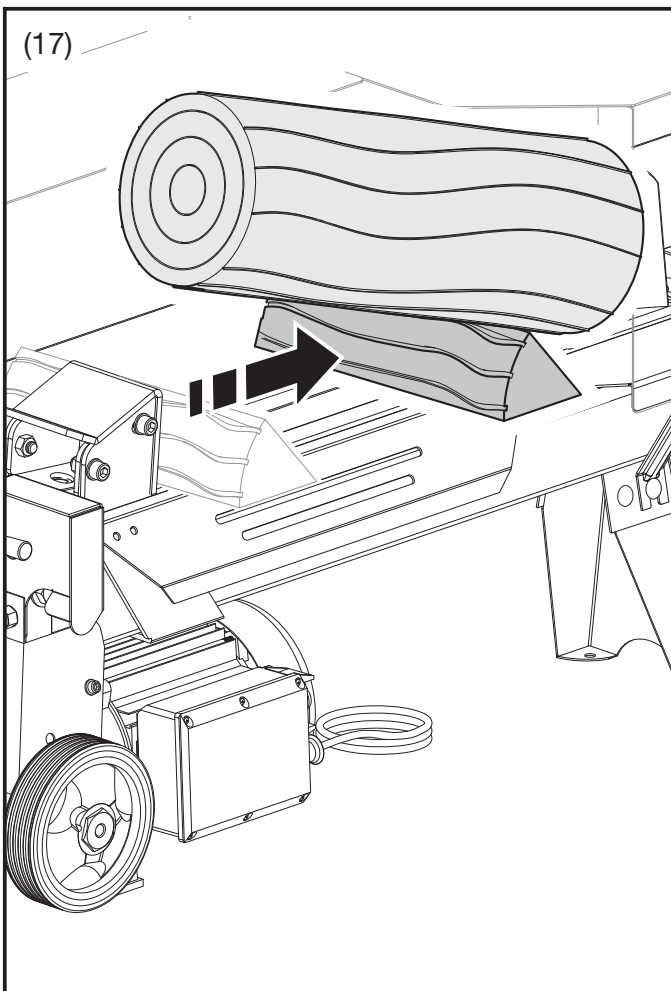
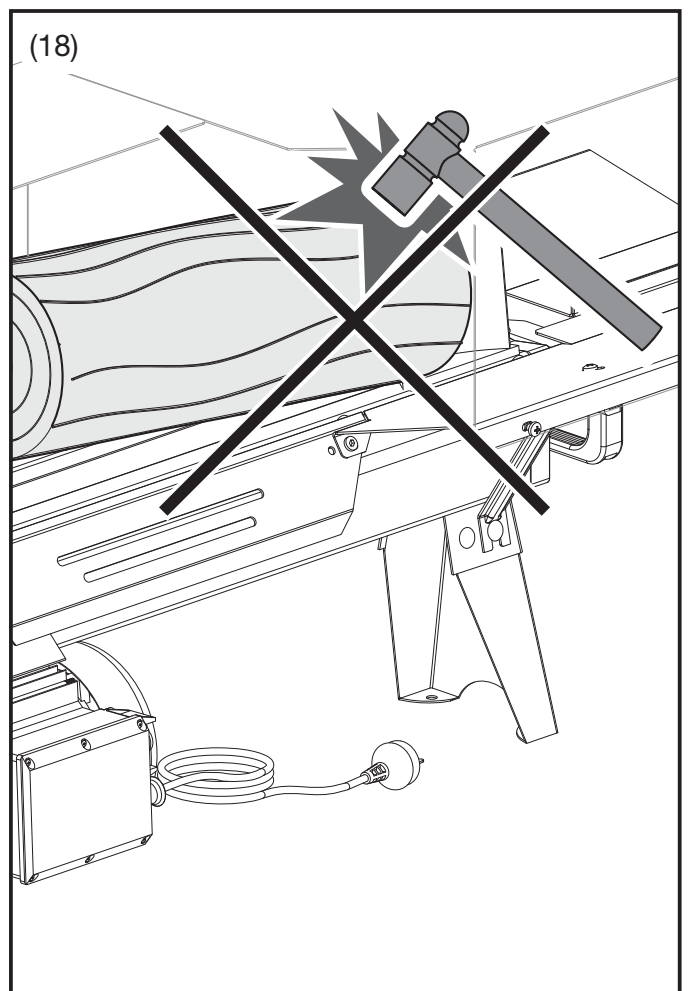
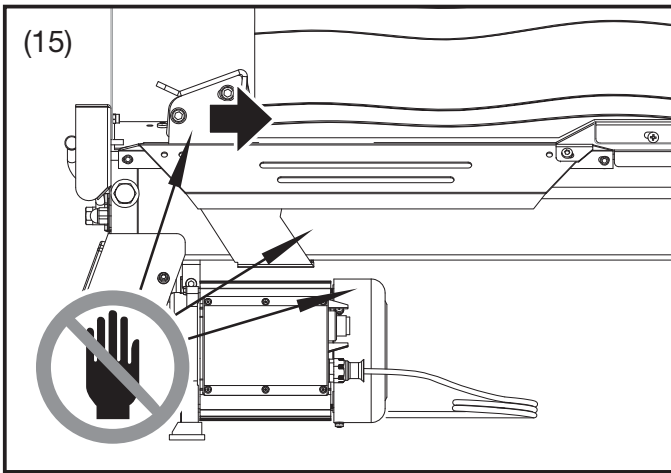
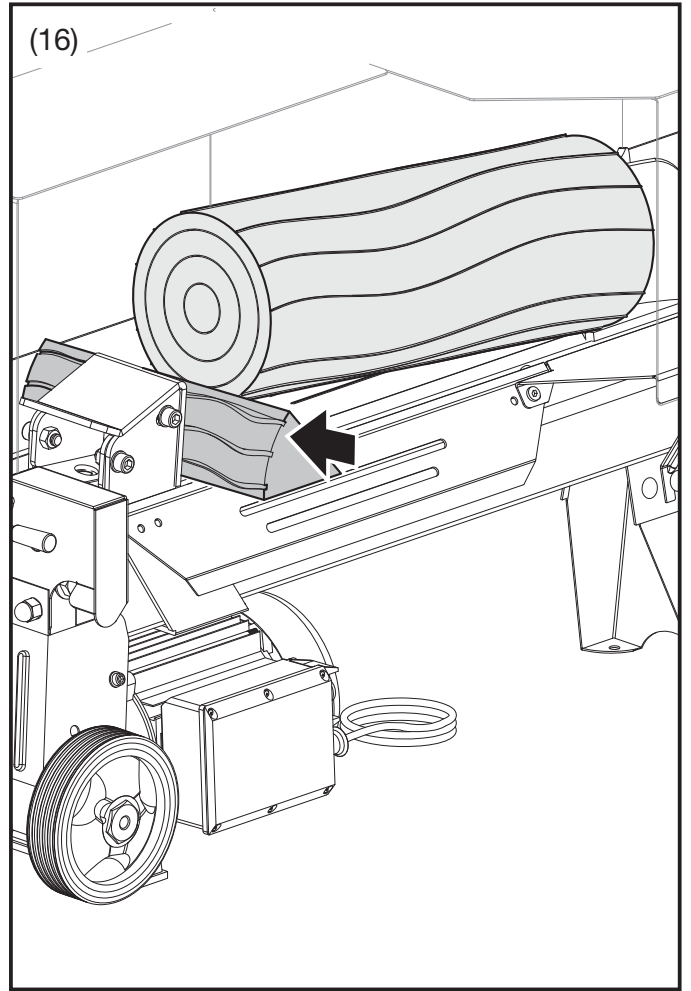
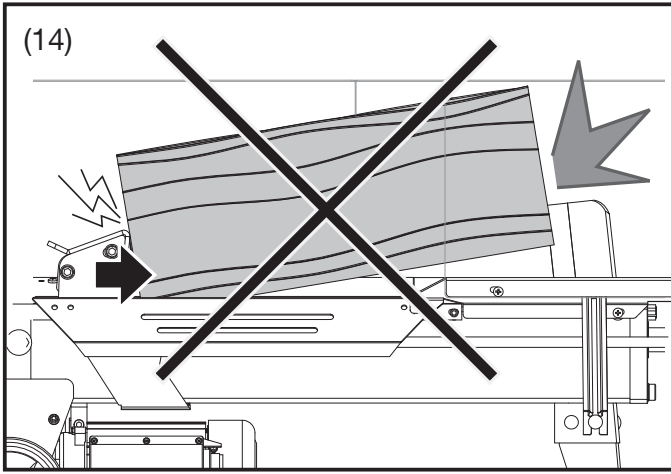
	M6 × 16	× 2	A
	M6 × 12	× 1	B
	M6 × 12	× 2	
	M6 × 12	× 1	C
	M6 × 12	× 1	
	M6 × 12	× 1	

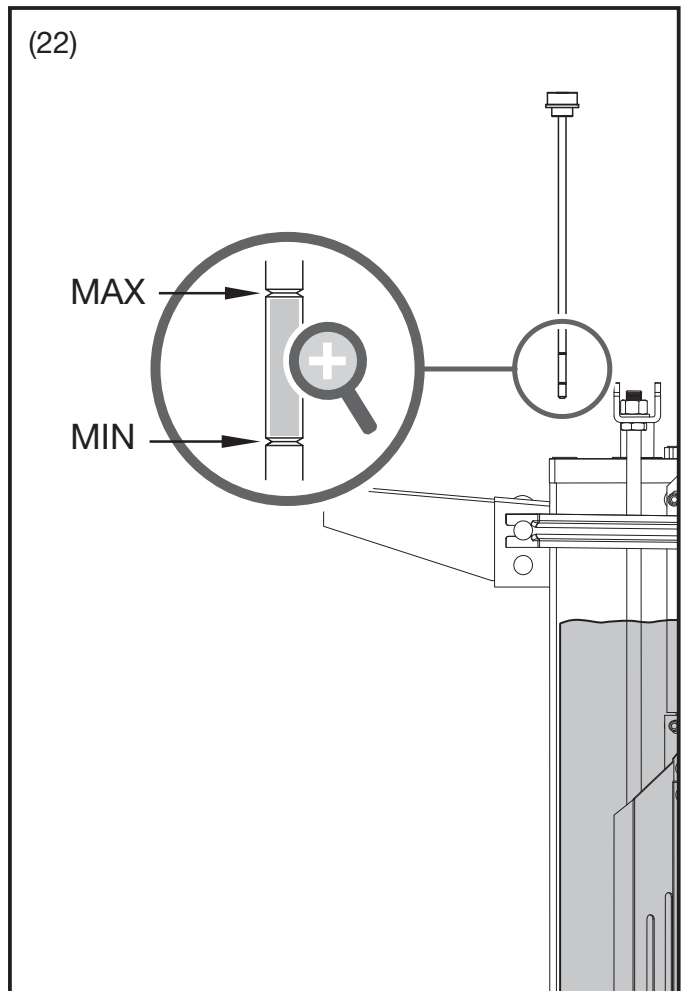
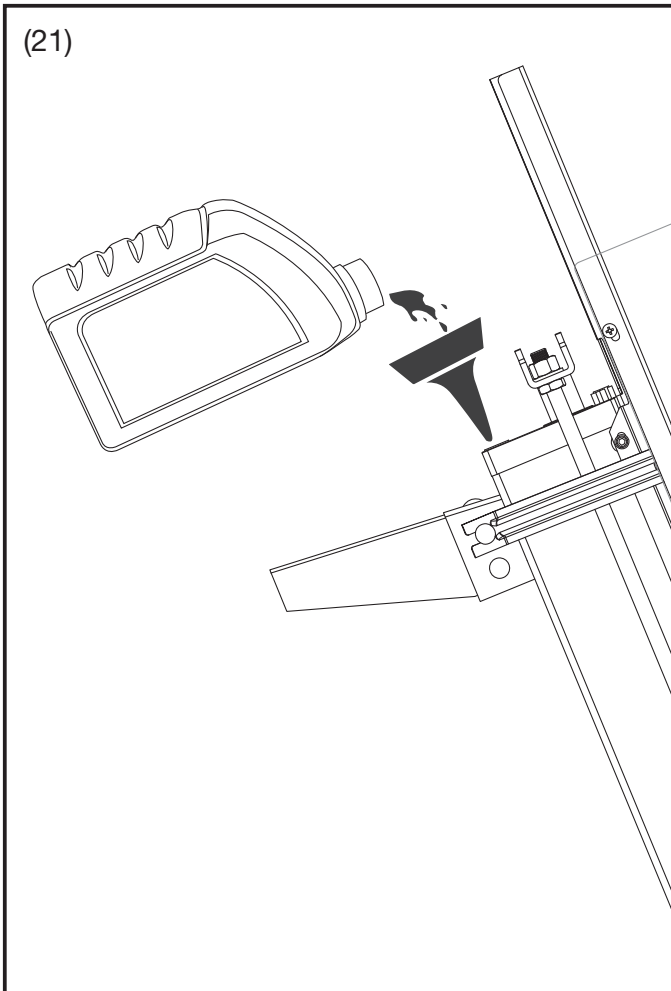
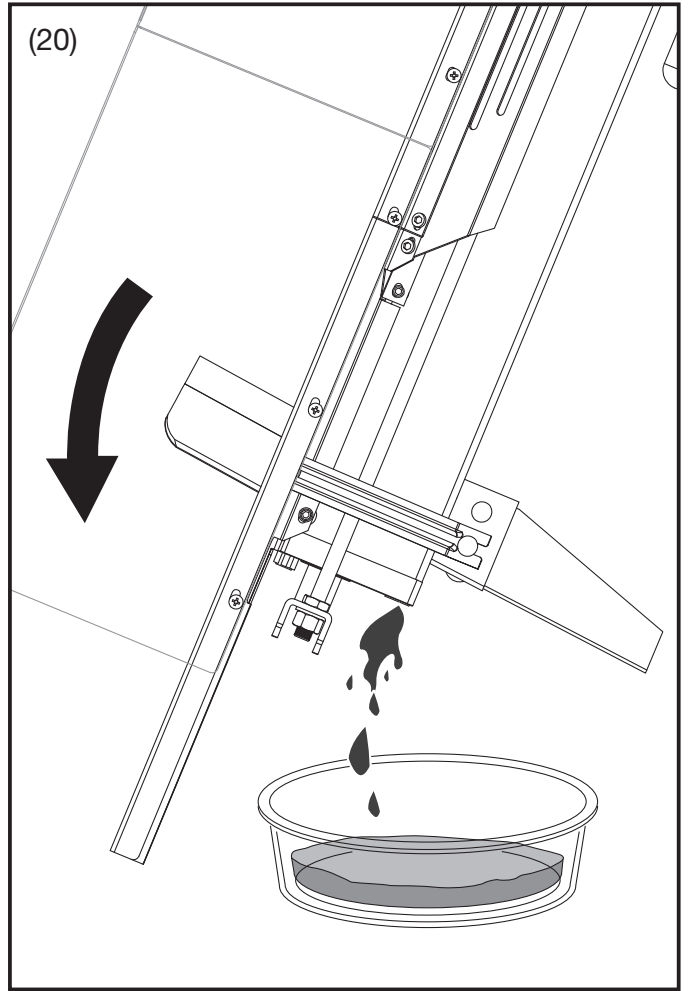
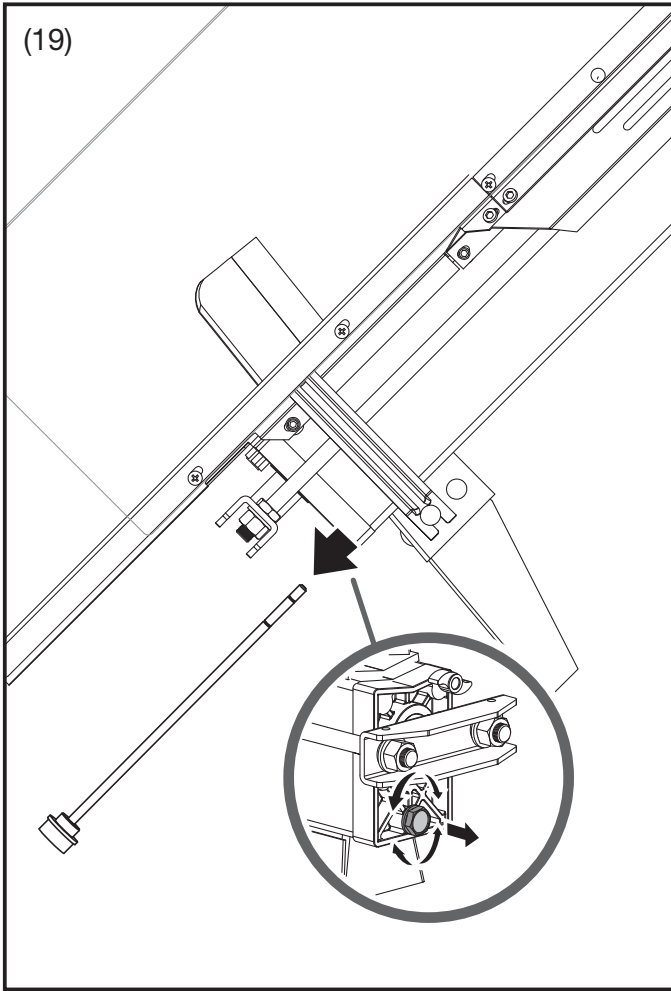
		M6 × 12	× 1	D	
		M6 × 12	× 1		
		M6 × 12	× 1		
		M6 × 12	× 2	E	
			M6 × 20	× 9	F
		M6 × 20	× 1		
			M6 × 20	× 10	G











IMPORTANT!	Read all safety warnings, instructions, illustrations and specifications provided with this power tool.
TÄRKEÄÄ!	Lue tarkkaavaisesti kaikki tämän työkalun kanssa toimitetut varoitukset, ohjeet ja spesifikaatiot, ja katso lisäksi kuvat.
VIKTIGT!	Läs uppmärksamt alla varningar, instruktioner och specifikationer som bifogas med detta verktyg och studera bilderna.
VIKTIG!	Les nøye gjennom alle advarslene, instruksene og spesifikasjonene som følger med verktøyet, og se på tegningene.
ВАЖНО!	Прочтите все указания, инструкции, иллюстрации и спецификации, поставляемые с электроинструментом.
TÄHTIS!	Lugege läbi kõik elektrilise tööriista kohta esitatud ohuhoiatused ning tutvuge tööriista jooniste ja tehniliste andmetega.
SVARĪGI!	Izlasiet visus drošības brīdinājumus, instrukcijas, specifikācijas un apskatiet attēlus šī elektroinstrumenta dokumentācijā.
SVARBU!	Perskaitykite visus saugos įspėjimus, visas instrukcijas, paveikslėlius ir techninius reikalavimus, pateikiamus su šiuo elektriniu įrankiu.

INTRODUCTION

Thank you for purchasing this product which has passed through our extensive quality assurance process. Every care has been taken to ensure that it reaches you in perfect condition.

SAFETY FIRST

Before attempting to operate this power tool the following basic safety precautions should always be taken to reduce the risk of fire, electric shock and personal injury. It is important to read the instruction manual to understand the application, limitations and potential hazards associated with this tool.

CERTIFICATE OF GUARANTEE

This product is guaranteed for a period of 2 Years, with effect from the date of purchase and applies only to the original purchaser. This guarantee only applies to defects arising from, defective materials and or faulty workmanship that become evident during the guarantee period only and does not include consumable items. The manufacturer will repair or replace the product at their discretion subject to the following. That the product has been used in accordance with the guide lines as detailed in the product manual and that it has not been subjected to misuse, abuse or used for a purpose for which it was not intended. That it has not been taken apart or tampered with in any way whatsoever or has been serviced by unauthorised persons or has been used for hire purposes. Transit damage is excluded from this guarantee, for such damage the transport company is responsible. Claims made under this guarantee must be made in the first instance, directly to the retailer within the guarantee period. Only under exceptional circumstances should the product be returned to the manufacturer. In these case it shall be the consumer's responsibility to return the product at their cost ensuring that the product is adequately packed to prevent transit damage and must be accompanied with a brief description of the fault and a copy of the receipt or other proof of purchase. The manufacturer shall not be liable for any special, exemplary, direct, indirect, incidental, or consequential loss or damage under this guarantee. This guarantee is in addition to and does not affect any rights, which the consumer may have by virtue of the Sale of Goods Act 1973 as amended 1975 and 1999.

The power tool is intended for domestic use only. The power tool is not suitable and is not intended for commercial or professional use.

The warranty does not cover defects and damage to power tools resulting from use for purposes other than domestic use, in particular as a result of pushing through and abuse.

"Warranty is voided in case the tool is damaged due to one of the conditions below:

1. Misuse of product or negligence of proper maintenance of product,
2. Commercial, professional or rental use of product,

3. Repair done by an unauthorized service company.
4. Damages caused by external objects or substances."

STATUTORY RIGHTS

This guarantee is in addition to and in no way affects your statutory rights.

PRODUCT DISPOSAL

When this product reaches the end of it's life or is disposed of for any other reason, it must not be disposed of in household waste. In order to preserve natural resources, and to minimise adverse environmental impact, please recycle or dispose of this product in an environmentally friendly way. It should be taken to your local waste recycling centre or other authorised collection and disposal facility.

If in doubt consult your local waste authority for information regarding available recycling and / or disposal options.

SPECIFIC SAFETY INSTRUCTIONS

Read this manual carefully. Become familiar with the uses and limitations of the device as well as the possible hazards associated with it.

Do not use this log splitter when under the influence of narcotic substances, alcohol or medication affecting your ability to control the device.

Never stand on top of the machine. Always stand in a solid position maintaining your balance. Do not store any goods above the log splitter or close to it so that no one will get on to the machine to reach them.

Do not ever leave the machine unsupervised when the power is connected (switch at "on" position). After use, ensure that the machine is disconnected from the power supply. Never leave the machine before you have ensured that it has stopped totally.

Every time you adjust, transfer or maintain the machine, ensure first that it is completely disconnected from the power supply.

This machine may only be used by one person at a time. This machine may only be used by responsible adults who have read the manual and have understood its contents.

Always take care that the power cable is fully protected.

Always take care that the machine is inspected for possible damage before use. Take care that the machine is appropriately maintained.

Always maintain a safety gap between your hand and the log as well as between the log pusher and splitting wedge.

Do not attempt to place a log in the log splitter when the pump is moving.

Keep your hand a good distance away from the cracks and fractures that open up in the log; these may close suddenly.

Do not force the blade splitting the log with the upper part of the blade. This may break the blade or damage the frame of the machine. Always place the log on the support.

Never ask others to help you in freeing a jammed log.

Do not use a machine equipped with an electric motor if the air contains gas, petrol vapour or other inflammable vapours.

Ensure that the power supply is properly protected and that it corresponds to the power rating, voltage and frequency of the motor; check also that the power supply is earthed, and that it is connected to a control differential switch.

Earth the log splitter. Avoid physical contact with earthed objects such as pipes, radiators, daughters and the frames of refrigerators.

Ensure that your finger does not touch the metal tip of the plug when you are connecting it to an electrical socket or disconnecting it from an electrical socket.

Use a cable with a diameter of at least 2.5mm². Avoid the use of free and inadequately insulated connections. The connection must be made to be suitable for outdoor use by using an insulated cable. The use of an extension cable that is too long or too thin may cause a reduction in voltage, which will prevent the motor from working at full power. Take care that the extension cable is no longer than 10 metres.

SAFETY OBSERVATIONS

Warning! Protective and safety equipment must not be tampered with and neither should it be removed.

Danger! Danger of cutting and crushing a hand; do not ever touch dangerous areas while the log splitter is in operation.

Warning: always pay attention to the movement of the log splitter.

Warning: do not ever detach a log jammed on the wedge by hand.

Warning: Voltage according to the VIN plate.

SPECIAL WARNING CONCERNING THE USE OF THE LOG SPLITTER

Use of this high powered may lead to particularly dangerous situations. Take good care of the safety of yourself and of others.

HYDRAULIC SYSTEMS

Do not ever use this machine if the hydraulic system is not in a safe condition. Before you start to use the machine, check the hydraulic system for leaks. Take care that the machine and the work area are clean and that there are no oil leaks. The hydraulic fluid may cause hazardous situations; you may slip on the liquid

and fall, your hands may slip as you are using the machine, or the fluid may give rise to a fire hazard.

ELECTRICAL SAFETY

Never use this machine when the electrical connections are not in a safe condition. Never use electrical equipment in wet conditions. Never use this machine when connected to a dangerous electrical cable or extension cable. Never use this equipment unless it is firmly connected to an earthed electric plug that has a voltage suitable for the machine and which is protected with a 10 A fuse.

THREATS TO PHYSICAL HEALTH

Log splitting may give rise to situations that are particularly hazardous physically. Never use this equipment without proper safety gloves (ones that do not conduct electricity), hard toed and non-slip boots and approved eye protectors. Beware of splinters arising from splitting; these can cause injuries and may jam the machine. Use a hair protector so that hair does not get near the machine or get caught in the machinery.

Do not use loose clothing, ties or jewellery (rings, watches, etc.). They may get stuck in the machine's moving parts.

Never attempt to split logs that are too large or small to fit the machine properly.

Never attempt to split logs that contain nails, steel wire or other components that can damage the machine

Tidy up as you work: accumulated wood fragments and chips can create a dangerous work environment.

Never continue work in a work environment full of materials that can cause you to slip, stumble or fall. Keep onlookers at a distance from the machine; never allow outsiders to use the machine. Onlookers (people and animals) must remain at a distance of at least 5 metres from machine.

Ensure that the work area is well lit.

CAUTION: No list of warnings can be fully comprehensive. The user must apply their common sense and use the machine safely.

Before starting work, the basic procedures relating to safety should be gone through.

PROPERTIES OF THIS LOG SPLITTER

Due to portable, lightweight and built-in wheels, it is easy to move and transfer the machine.

Force. Wood is split rapidly with the machine's 4 ton force.

Works with electric power. Because of the handy and reliable electrically powered hydraulic system, the inconvenience and expense incurred from the maintenance of a small fuel engine is avoided. Simply connect the machine to a power source and start splitting.

Hydraulic pump. The efficient hydraulic pump splits logs safely and in a controlled manner without axes, sledgehammers or wedges.

Two-hand safety control. The inbuilt safety pattern keeps your hand far from the log and the machine during use.

SPECIAL SAFETY INSTRUCTIONS FOR THE LOG SPLITTER

Before you start the machine, check the condition of the overload protection device and protective plate.

Before you start the machine, ensure that there is no oil leaking from the machine and that the level of the hydraulic oil is between the grooves on the oil dipstick.

Before you start the machine, check the condition of the log splitter. Keep protective equipment in its place and in good condition. Make it your habit to check that all work tools have been removed from the work area before starting the machine. Change damaged, missing or and delivered partners before using the machine.

Start the machine without a load and check that it is in working order.

Keep in mind of possible hazards does situations that can develop with the splitting of certain types of logs (e.g. logs that are bumpy or have irregular forms).

Remember to always use a Portable Residual Current Device (PRCD) if the electric system does not have a fault current switch of at least 0.03 A.

Never split logs that are larger than the log size specified in the manual. Never attempt to split logs that contain parts such as nails or steel wire that are hazardous to the operation of the machine.

The log's lower surface should be cut evenly and there should be no branches in the log. The log should be split in the direction of the wood grain. Never place the log in a vertical position on the log splitter.

The user must always operate the control device with both hands. The control device must not be used in any other way.

Place the machine on a horizontal and stable supporting surface with a height of 72 – 85 cm. Ensure that there is plenty of room to move around the machine. Ensure that there are no objects on the supporting surface that could prevent the free movement of machine. For this purpose, we recommend the use of a log splitter stand. Never use the machine on the ground. Attach the log splitter to a work base if it moves from its place.

Danger! Never split two logs at the same time.

Danger! Never add the next log or change a log while the machine is in operation.

Danger! Never tamper with the log splitter's protective equipment and do not use the machine without protective equipment.

Warning! Never force the log splitter for longer than five seconds when you attempt to split particularly hard wood. When this time period has expired, the oil can overheat. Change the position of a particularly hard log by 90° to see if it can be split in the other direction. If you are unable to split the log, this means that the wood hardness exceeds the machine's capability.

Forbidden! Never open the switch box or the cover of the electric motor. Contact a qualified electrician if necessary.

Warning! Take care that the machine and the electrical cable remain far from water. Handle the electrical cable with care.

Never jerk or tear the electrical cable. Keep the electrical cable far from high temperatures, of oil and sharp objects.

Check your log splitter before turning it on. Keep guards in place and in working order. Form a habit of checking to see that keys and adjusting wrenches are removed from tool area before turning it on. Replace damaged, missing or failed parts before using it.

COMPONENTS & CONTROLS (FIG.1)

1.	Guard
2.	Wedge
3.	Log tray
4.	Lift handle
5.	Log retaining plates
6.	Switch
7.	Pushbutton box
8.	Wheel
9.	Bleed screw
10.	Oil drain bolt with dipstick
11.	Work table
12.	Log pusher
13.	Control lever guard
14.	Hydraulic control lever
15.	Motor
16.	Max. pressure limiting screw
17.	Support leg

UNPACKING

Caution! This packaging contains sharp objects. Take care when unpacking. Remove the machine, together with the accessories supplied, from the packaging. Check carefully to ensure that the machine is in good condition and account for all the accessories listed in this manual.

Also make sure that all the accessories are complete. If any parts are found to be missing, the machine and its accessories should be returned together in their original packaging to the retailer.

Do not throw the packaging away, keep it safe throughout the guarantee period, then recycle if possible, otherwise dispose of it by the proper means. Do not let children play with empty plastic bags due to the risk of suffocation.

CONTENTS SUPPLIED (FIG.2)

1.	Log splitter frame
2.	Transport handle
3.	Support strut 1 (x 2)
4.	Support strut 2
5.	Instruction manual
6.	Guard bottom plate
7.	Log tray 1
8.	Log tray 2
9.	Top guard plate 1
10.	Top guard plate 2
11.	Rear guard plate 1
12.	Rear guard plate 2
13.	Front guard plate
14.	Left guard plate
15.	Plate connector (x 2)
16.	Hardware bag including nuts and bolts

ASSEMBLY

WARNING! The tool should never be connected to a power supply when you are assembling parts, making adjustments, cleaning, performing maintenance, or when the tool is not in use. Disconnecting the tool will prevent accidental starting that could cause serious injury.

MOUNTING THE LIFTING HANDLE (FIG.3)

Mount the lifting handle to the U bracket with two M6×16 bolts.

MOUNTING THE LOG TRAY

Mount the guard bottom plate to rear guiding plate and secure with two M6×12 socket head cap screws and locknuts, Fig.4 (1).

Loosen the socket head cap screw and big washer on the wheel bracket, insert the open end of support strut 2 between the big washer and wheel bracket and tighten screw.

Connect the upper end of support strut 2 to the guard bottom plate with cross recessed pan head screw M6×12 and locknut M6 and then tighten it, Fig.4 (2).

Align the two mounting holes of the log tray 1 to the holes on rear side of the splitter. Insert one socket head cap screw M6×12 and spring washer 6 into the mounting hole on left side and the other socket head cap screw M6×12 and locknut M6 on right side and securely tighten both, Fig.5 (1).

Loosen the cup head bolt and nut on left side of the front leg, insert the open end of support strut 1 onto the bolt and then tighten the nut.

Connect the upper end of support strut 1 to the log tray 1 with cross recessed pan head screw M6×12 and locknut M6 and then tighten it, Fig.5 (2).

Align the two mounting holes of the log tray 2 to the holes on front side of the splitter. Insert one socket head cap screw M6×12 and spring washer 6 into the mounting hole on right side and the other socket head cap screw M6×12 and locknut M6 on left side and securely tighten both, Fig.6 (1).

Loosen the cup head bolt and nut on right side of the front leg, insert the open end of support strut 1 onto the bolt and then tighten the nut.

Connect the upper end of support strut 1 to the log tray 2 with cross recessed pan head screw M6×12 and locknut M6 and then tighten it, Fig.6 (2).

Connect log tray 1 and log tray 2 with two M6×12 screws and locknuts, Fig.7.

ASSEMBLING AND ATTACHING THE WIRE GUARD

Connect two rear guard plates together with two M6×20 bolts, U-spacers and nuts.

Attach the front guard plate, left guard plate and rear guard plates to the log tray and bottom plate. Secure the front and rear plates with M6×20 bolts, U-spacers and nuts and secure the left plate with M6×20 bolt and nut, Fig.8.

Mount the two top guard plates to the vertical plates with M6×20 bolts, U-spacers and nuts.

Connect two top guard plates with two M6×20 bolts, U-spacers and nuts., Fig.9.

BLEED SCREW

WARNING! Before operating the log splitter, the bleed screw should be loosened by some rotations until air can go in and out of the oil tank smoothly.

Air flow through the bleed screw hole should be detectable while the log splitter is under operation.

Before moving the log splitter, make sure the bleed screw is tightened to avoid oil leaking from this point.

Failure to loosen the bleed screw will keep the sealed air in the hydraulic system being compressed after being decompressed. Continuous air compression and decompression will blow out the seals of the hydraulic system and cause permanent damage to the log splitter.

MAX PRESSURE LIMITING SCREW FIG.1 (16)

WARNING! Do not adjust the max pressure limiting screw. The maximum pressure was set by a qualified mechanic with professional instruments to ensure the log splitter works under pressure no more than 4 Tons.

Unauthorised resetting will cause hydraulic pump failure and can result in serious injury as well as damage to the machine.

TRANSPORTING THE LOG SPLITTER

Before movement or transport of the machine remove the electrical cable from the power source: wait until the machine's operation has stopped completely; allow the machine to cool; and wind up the electrical cable and attach it.

CAUTION: BEFORE MOVING THE LOG SPLITTER, MAKE SURE THE BLEED SCREW IS TIGHTENED TO AVOID OIL LEAKING.

When you want to move the log splitter a short distance, lift the front handle such that the front part of the machine rises up and the wheels touch the ground. Then push or pull the machine by moving backwards or forwards. Pay attention to uneven and/or slippery surfaces.

WARNING! Do not transport the log splitter with wood loaded.

LONG DISTANCE TRANSPORT

Fasten the log splitter at the positions with bundling marks after lifting it into the truck, to avoid free movement of the log splitter, Fig.10.

If using a crane, lay hoist sling at the lifting point. Never try to lift the log splitter at the Handle.

OPERATION

APPLICATION CONDITIONS

This log splitter is a home use model. It is designed for operating under ambient temperatures between +5°C and 40°C and for installation at altitudes no more than 1000m above M.S.L (Mean Sea Level). The surrounding humidity should less than 50% at 40°C. It can be stored or transported under ambient temperatures between -25°C and 55°C.

Before operation, put the log splitter on a 72-85 cm high, stable, flat, and level work bench. Fix the support leg using two bolts M8 × 35(A) on the hard groundwork, Fig.11.

This log splitter is designed to be operated by one person only and requires two handed operation by the user. The left hand controls the hydraulic control lever and the right hand controls the push button switch, Fig.12. The log splitter will freeze upon absence of

either hand. Only after both hands release the controls, the log pusher starts to return backward to the starting position, Fig.13.

The trigger type lock-out device is adopted to avoid accidental Hydraulic Control Lever pushdown. To operate the Hydraulic Control Lever, draw the trigger backward with the index finger before pushing the Hydraulic Control Lever forward.

NOTE: Once you start splitting the log, never reach into the splitting zone.

WARNING: NEVER FORCE THE LOG SPLITTER FOR MORE THAN 5 SECONDS TO SPLIT EXCESSIVELY HARD WOOD. AFTER THIS TIME, THE OIL UNDER PRESSURE WILL OVERHEAT AND THE MACHINE COULD BE DAMAGED.

For extremely hard logs, rotate the log by 90° to see whether it can be split in a different direction. In any case, if you are still not able to split the log, this means that the wood exceeds the capacity of the machine and should be discarded to protect the log splitter.

Always set logs firmly on the log retaining plates and work table. Make sure logs will not twist, rock or slip while being split. Do not force the blade by splitting the log on the upper part. This will break the blade or damage the machine, Fig.14.

Break the log in the direction of its growing grain. Do not place the log across the log splitter for splitting. It is dangerous and may seriously damage the machine.

Do not attempt to split 2 pieces of logs at the same time. One of them may fly up and hit you.

DANGER! KEEP YOUR HANDS AWAY FROM THE SPLITTING AREA, LIVE AREA AND HEATING AREA WHILE WORKING, FIG.15.

FREEING A JAMMED LOG

Release both controls.

The log splitter moves back and completely stops at its starting position.

Insert a wedge of wood under the jammed log, Fig.16.

Start the log splitter to push the wedge of wood under the jammed log, Fig.17.

Repeat above procedure with sharper sloped wedges until the log is completely free.

Caution: Do not try to hit the jammed log off the log splitter, this may damage the machine or may cause the log to fly up and cause an accident, Fig.18.

MAINTENANCE

Warning! Make sure the log splitter is switched off and disconnected from the mains supply before starting any cleaning or maintenance procedures.

REPLACING THE HYDRAULIC OIL

Replace the Hydraulic oil in the log splitter after every 150 hours of use. Take following steps to replace it.

Ensure that the log splitter has returned to its starting position and that the machine is completely disconnected from power source.

Loosen the bleed screw three or four turns.

Loosen the oil drain bolt with dipstick and remove it, Fig.19.

Place a dish under the log splitter that is able to take at least 4 litres of oil. Tilt the log splitter and empty the oil into the dish, Fig.20.

Tilt the log splitter in the other direction so that the oil change hole faces upwards. Pour the hydraulic oil into the oil tank using a clean funnel, Fig.21. Pour in the amount of oil specified in the specification table.

Clean the surface of Dipstick on the Oil Drain Bolt and put it back into the oil tank while keep the log splitter vertical.

Make sure the level of the refilled oil is just between 2 grooves of the Dipstick, Fig.22.

Add more oil if required.

Clean the filler neck and plug/dipstick washer/seal thoroughly and refit, tighten sufficiently to prevent oil leaking, DO NOT overtighten.

Carefully return the machine to normal working position.

Finally, tighten the bleed screw.

HYDRAULIC OIL VOLUME

- 3.5 Litres

RECOMMENDED HYDRAULIC OIL

We recommend the following hydraulic oils for use in the hydraulic system:

- SHELL Tellus 22
- MOBIL DTE 11
- ARAL Vitam GF 22
- BP Energol HLP-HM 22
- or other corresponding oils

SHARPENING WEDGE

When the machine has been in use for a long time, or as necessary, sharpen the wedge with a fine-toothed file then carefully smooth any possible uneven areas on the cutting surface.

STORAGE

Disconnect the log splitter from the mains supply.

Tighten the bleed screw.

Clean the unit down using a dry cloth.

TECHNICAL SPECIFICATION

Voltage	230V - 50Hz
Motor	2200W S3 25%
Rated tonnage	5 Ton
IP rating	IP54
Maximum log length	520mm
Minimum log diameter	50mm
Maximum log diameter	250mm
Hydraulic pressure	20.6Mpa
Oil capacity	3.5L

TROUBLESHOOTING

PROBLEM	CAUSE	CAUSE
Fails to split logs.	Log is improperly positioned.	Refer to "Positioning The Log" section.
	Wedge cutting edge is blunt.	Refer to "Sharpening Wedge" section.
	Oil leaks.	Contact the dealer.
	Unauthorised adjustment was made on max. pressure limiting screw.	Contact the dealer.
The log splitter moves jerkily.	Lack of hydraulic oil and excessive air in the hydraulic system.	Check oil level for possible oil refilling. Contact the dealer
Oil leaks around cylinder ram or from other points.	Air sealed in hydraulic system while operating.	Loosen Bleed Screw by 3-4 turns before operating the log splitter.
	Bleed Screw is not tightened before moving the log splitter.	Tighten the Bleed Screw up before moving the log splitter.
	Oil Drain Bolt is not tight.	Tighten the Oil Drain Bolt.
	Hydraulic Control Valve Assembly and / or seal(s) worn	Contact the dealer.

SYMBOLS

The rating plate on your tool may show symbols. These represent important information about the product or instructions on its use.



Wear hearing protection.

Wear eye protection.

Wear respiratory protection.



Conforms to relevant safety standards.



Read the instruction manual.



Wear protective gloves



Wear protective boots



Danger of cutting or crushing of the hand



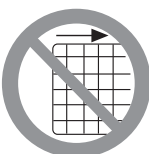
Always pay attention to the movement of the machine



Protect your hands



Disconnect power when not in use



Inspect the log splitter before use for any damage



Waste electrical products should not be disposed of with household waste. Please recycle where facilities exist. Check with your Local Authority or retailer for recycling advice.



Product conforms to RoHS requirements



This machine must only be operated by one person. Keep visitors & children a safe distance away from the work area whilst in operation.



Protect the environment

ENVIRONMENTAL PROTECTION

Information for (private householders) for the environmentally responsible disposal of Waste Electrical and Electronic Equipment (WEEE)



This symbol on products and or accompanying documents indicates that used and end of life electrical and electronic equipment should not be disposed of in household waste. For the proper disposal, treatment, recovery and recycling, please take these products to designated collection points, where they will be accepted on a free of charge basis. Alternatively, in some countries you may be able to return your products to your retailer upon the purchase of an equivalent new product. Disposing of this product correctly will help to save valuable resources and prevent any potential adverse effects on human health and the environment which could otherwise arise from inappropriate waste disposal and handling. Please contact your local authority for further details of your nearest designated collection point. Penalties may be applicable for incorrect disposal of this waste in accordance with national legislation.

FOR BUSINESS USERS IN THE EUROPEAN UNION.

If you wish to discard electrical and electronic equipment, please contact your dealer or supplier for further information.

Information on Disposal in other Countries outside the European Union.

This Symbol is only valid in the European Union.

If you wish to dispose of this product, please contact your local authorities or dealer and ask for the correct method of disposal.

SÄHKÖISET TIEDOT

TÄRKEÄÄ

Tämä tuote on varustettu sinetöidyllä sähköpistokkeella, joka sopii työkalulle ja käyttömaassa käytetylle virralle ja vastaa kansainvälisiä standardeja.

Laite tulee kytkeä arvokilvessä ilmoitettua jännitteeseen. Jos pistoke tai sähköjohto on vaurioitunut, ne tulee vaihtaa täysin samanlaiseen sarjaan.

Noudata aina käyttömaassa voimassa olevia sähköverkkoon kytkemistä koskevia lakeja.

Ota tarvittaessa aina yhteys ammattitaitoiseen sähköasentajaan.

ESITTELY

Kiitos, että ostit tämän tuotteen, joka on läpäissyt kattavan laatutarkastusprosessimme. Kaikki on tehty sen varmistamiseksi, että saat sen täydellisessä toimintakunnossa.

TURVALLISUUS ENSIN

Seuraavat perusvaroitimet on tehtävä ennen sähkötyökalun käyttämistä tulipalojen, sähköiskujen ja henkilövahinkojen estämiseksi. On tärkeää lukea nämä käyttöohjeet, jotta ymmärrät tämän työkalun käytön, siihen liittyvät rajoitukset ja potentiaaliset vaarat.

TAKUUTODISTUS

Tällä tuotteella on 2 vuoden takuu kuluttajakäytössä joka alkaa ostopäivästä ja koskee vain ensimmäistä ostajaa. Ammattikäytössä takuuta ei myönnetä. Tämä takuu kattaa vain virheet, jotka aiheutuvat raaka-aine- ja valmistusvirioista, ja jotka tulevat esille takuuajana. Takuu ei korvaa kuluvia osia. Valmistaja korjaa tai vaihtaa tuotteen harkintansa mukaan edellyttäen seuraavassa mainittuja asioita. Tuotetta on käytetty käsikirjan ohjeiden mukaisesti, ja sitä ei ole käytetty väärin tai huolimattomasti tai tarkoitukseen, johon sitä ei ole tarkoitettu käytettäväksi. Laitetta ei ole purettu osiin tai peukaloitu millään tavalla, sitä ei ole huollatettu valtuuttamattomilla henkilöillä tai käytetty vuokrauksen kohteena. Kuljetusvauriot eivät kuulu tämän takuun piiriin. Niistä on vastuussa kuljetusliike. Takuuvaateet on esitettävä ensisijaisesti suoraan jälleenmyyjälle takuukauden aikana. Tuote tulee palauttaa valmistajalle vain poikkeuksellisissa tapauksissa. Näissä tapauksissa ostajan vastuulla on tuotteen palauttaminen omalla kustannuksellaan ja varmistaa, että se on asianmukaisesti pakattu kuljetusvaurioiden estämiseksi. Mukaan tulee liittää lyhyt kuvaus viasta ja kopio kuitista tai muusta ostotodistuksesta. Valmistaja ei ole vastuussa mistään erityisistä, esimerkiksi suorista, välillisistä, satunnaisista tai epäsuorista menetyksistä tai vahingoista takuun aikana. Tämä takuu tulee lisänä, eikä vaikuta oikeuksiin, joita kuluttajalla saattaa olla vuoden 1973 Tavarannmyyntilain ja siihen vuonna 1975 ja 1999 tehtyjen muutosten mukaisesti.

Sähkötyökalu on tarkoitettu ainoastaan kotikäyttöön. Sähkötyökalu ei sovellu kaupalliseen tai ammatilliseen käyttöön eikä sitä ole tarkoitettu niihin.

Takuu ei kata sähkötyökalujen vikoja ja vaurioita, jotka ovat seurausta muusta kuin kotikäytöstä, erityisesti kun ne ovat seurausta pakottamisesta tai väärinkäytöstä.

"Takuu raukeaa, jos työkalu on vaurioitunut jostakin seuraavista syistä.

1. Tuotteen väärä käyttö tai sen asianmukaisen huollon laiminlyönti
2. Tuotteen kaupallinen tai ammatillinen käyttö tai vuokraus
3. Korjauksen on tehnyt muu kuin valtuutettu huoltoyritys
4. Ulkoisten esineiden tai aineiden aiheuttamat vauriot.

ERITYISET TURVAOHJEET

Lue nämä käyttöohjeet huolellisesti. Tutustu laitteen käyttösovelluksiin ja rajoituksiin sekä laitteeseen mahdollisesti liittyviin vaaratekijöihin.

Älä käytä puunhalkaisukonetta ollessasi huumausaineiden, alkoholin tai hallintakykyysi vaikuttavan lääkityksen alaisena.

Älä koskaan seiso koneen päällä. Seiso aina tukevassa asennossa tasapainosi säilyttäen. Älä säilytä mitään tavaroita puunhalkaisukoneen yläpuolella tai lähellä sitä, jottei kukaan nousisi seisomaan koneen päälle yltääkseen niihin.

Älä koskaan jätä konetta ilman valvontaa, kun virta on kytkettynä (kytkin asennossa "on"). Varmista käytön jälkeen, että kone on irrotettu virtalähteestä. Älä koskaan poistu koneen luota ennen kuin olet varmistanut, että se on kokonaan pysähtynyt.

Aina kun säädät, siirrät tai huollat konetta, varmista ensin, että kone on kokonaan irrotettu virtalähteestä.

Tätä konetta saa käyttää vain yksi ihminen kerrallaan. Tätä konetta saavat käyttää vain vastuulliset aikuiset, jotka ovat lukeneet käyttöohjeen ja ymmärtäneet sen sisällön.

Pidä aina huolta siitä, että virtajohto on täysin suojattu.

Pidä aina huolta siitä, että ennen käyttöä kone on tarkastettu mahdollisten vaurioiden varalta. Pidä huolta siitä, että kone on asianmukaisesti huollettu.

Säilytä aina turvaväli käsiesi ja tukin välillä sekä työntimen ja kiilan välillä.

Älä yritä asettaa tukkia puunhalkaisukoneelle, kun pumpppu on liikkeessä.

Pidä kätesi kunnan välimatkan päässä tukkiin avautuvista halkeamista ja murtumista; ne saattavat sulkeutua äkisti.

Älä pakota terää halkaisemalla tukkia terän yläosalla. Tämä voi rikkoa terän tai vahingoittaa koneen runkoa. Aseta tukki aina tuen päälle.

Älä koskaan pyydä muita auttamaan sinua jumiutuneen tukin irrottamisessa.

Älä käytä sähkömoottorilla varustettua konetta, jos ilmassa on kaasua, bensiinihöyryä tai muita tulenarkoja höyryjä.

Varmista, että virransyöttö on suojattu kunnolla, ja että se vastaa moottorin tehoa, jännitettä ja taajuutta; tarkasta, että virransyöttö on maadoitettu, ja että syöttö on kytketty säätödifferentialikytkimeen.

Maadoita puunhalkaisukone. Vältä fyysistä kosketusta maadoitettuihin esineisiin kuten putkiin, lämpöpattereihin, liesiin ja jääkaappien runkoihin.

Varmista, etteivät sormesi koske pistokkeen metallikärkiä, kun olet liittämässä sitä pistorasiaan tai irrottamassa pistorasiasta.

Johdon halkaisijan on oltava vähintään 2,5 mm². Vältä irrallisten ja riittämättömästi eristettyjen liitäntöjen käyttöä. Kytkeä tulee tehdä ulkokäyttöön sopivalla, eristetyllä johdolla. Liian pitkien tai ohuiden jatkojohtojen käyttö voi aiheuttaa jännitteen pienentymistä, mikä estää moottoria toimimasta täydellä teholla. Jatkojohdon pituus ei saa ylittää 10 metriä.

TURVALLISUUSHUOMIOITA

Varoitus! Suoja- ja turvalaitteisiin ei saa kajota, eikä niitä saa poistaa.

Vaara! Käden leikkautumisen ja musertumisen vaara; älä koskaan koske vaarallisia alueita puunhalkaisukoneen ollessa toiminnassa.

Varoitus: huomioi aina puunhalkaisukoneen liike.

Varoitus: älä koskaan irrota kiilaan jumiutunutta tukkia käsin.

Varoitus: tyyppikilven mukainen jännite.

ERITYISVAROITUS KOSKIEN PUUNHALKAISUKONEEN KÄYTTÖÄ

Tämän suuritehoisen laitteen käytöstä voi seurata erityisiä vaaratilanteita. Pidä hyvää huolta omasta ja muiden turvallisuudesta.

HYDRAULISET JÄRJESTELMÄT

Älä koskaan käytä tätä konetta, jos hydraulinen järjestelmä ei ole turvallisessa tilassa. Ennen kuin alat käyttää konetta, tarkasta hydraulinen järjestelmä vuotojen varalta. Pidä huolta, että kone ja työalue ovat puhtaat, eikä öljyvuotoja esiinny. Hydraulineste voi aiheuttaa vaaratilanteita; saatat liukastua nesteeseen ja kaatua, kätesi saattavat livetä käyttäessäsi konetta, tai neste saattaa aiheuttaa palovaaran.

SÄHKÖTURVALLISUUS

Älä koskaan käytä tätä konetta, jos sähköliitännät eivät ole turvallisessa tilassa. Älä koskaan käytä sähkölaitetta märissä olosuhteissa. Älä koskaan käytä tätä konetta kytkettynä vääränlaiseen sähköjohtoon tai jatkojohtoon. Älä koskaan käytä tätä laitetta, ellei se ole kytketty hyvin maadoitettuun pistorasiaan, jonka jännite on koneen vaatimusten mukainen, ja joka on suojattu 10 A:n sulakkeella.

UHAT FYYSISELLE TERVEYDELLE

Puunhalkaisu voi aiheuttaa tilanteita, jotka ovat fyysisesti erittäin vaarallisia. Älä koskaan käytä tätä laitetta ilman kunnollisia suojakäsineitä (sähköä johtamattomat), kovakärkisiä ja liukuestoisia kenkiä ja hyväksytyjä suojalaseja. Varo halkaisusta syntyviä puunsirpaleita; ne voivat aiheuttaa loukkaantumisia ja voivat jumiuttaa koneen. Käytä hiussuojaa, jotta pitkät hiukset eivät joutuisi lähelle konetta eivätkä jäisi kiinni koneistoon.

Älä käytä väljää vaatetusta, solmioita tai koruja (sormukset, kellot jne.). Ne voivat jäädä kiinni koneen liikkuviin osiin.

Älä koskaan yritä halkaista tukkeja, jotka ovat liian isoja tai pieniä mahtuakseen kunnolla koneeseen.

Älä koskaan yritä halkaista tukkeja, joissa on nauvoja, rautalankaa tai muita konetta vahingoittavia osia.

Siivoa sitä mukaa kun työskentelet: kerääntyneet puunpalat ja lastut voivat luoda vaarallisen työympäristön.

Älä koskaan jatka työtä tavaraa täynnä olevassa työympäristössä, jonka takia saatat liukastua, kompastua tai kaatua. Pidä sivulliset etäällä koneesta, äläkä koskaan anna ulkopuolisten käyttää konetta. Sivullisten (ihmisten ja eläinten) tulee pysyä vähintään 5 metrin etäisyydellä koneesta.

Varmista, että työskentelyalue on hyvin valaistu.

HUOMIO: Mikään varoitusluettelo ei voi olla täysin kattava. Käyttäjän tulee käyttää tervettä järkeä ja käyttää konetta turvallisesti.

Ennen työhön ryhtymistä tulee käydä läpi turvallisuuteen liittyvät perusvarotoimenpiteet.

PUUNHALKAISUKONEEN OMINAISUUDET

Koneen siirtäminen ja kuljettaminen on helppoa, koska se on kannettava, kevyt ja rakennettu pyörille.

Voima. Puu halkeaa nopeasti koneen 4 tonnin voimalla.

Sähkökäyttöinen. Kätevän ja luotettavan sähkötoimisen hydraulijärjestelmän ansiosta pienen polttoainekäyttöisen moottorin huollosta aiheutuvat vaivat ja kustannukset vältetään. Kytke kone virtalähteeseen ja aloita puiden halkaisu.

Hydraulipumppu. Tehokas hydraulipumppu halkaisee puut turvallisesti ja hallitulla tavalla ilman kirvestä, moukareita tai kiiloja.

Kahden käden turvaohjaus. Sisäänrakennettu turvamalli pitää kätesi etäällä tukista ja koneesta käytön aikana.

PUUNHALKAISUKONEEN ERITYISTURVAOHJEET

Ennen kuin käynnistät koneen, tarkasta ylikuormitusuojalaitteen ja suojalevyn kunto.

Ennen kuin käynnistät koneen, varmista ettei koneesta vuoda öljyä, ja että hydraulioiljyn taso on öljytikun uurteiden välillä.

Ennen kuin käynnistät koneen, tarkasta puunhalkaisukoneen kunto. Pidä suojalaitteet paikoillaan ja hyvässä kunnossa. Ota tavaksi tarkastaa, että kaikki työkalut on poistettu työalueelta ennen koneen käynnistämistä. Vaihda vaurioituneet, puuttuvat tai toimimattomat osat ennen koneen käyttöä.

Käynnistä kone ilman kuormaa ja tarkasta, että se on työkunnossa.

Pidä mielessä mahdolliset vaaratilanteet, joita voi syntyä tietynlaisten tukkien (esim. muhkuraisen tai epäsäännöllisten muotoisten tukkien) halkomisesta.

Muista aina käyttää vikavirtasuojalla varustettua pistorasiaa.

Älä koskaan halkaise tukkeja, jotka ovat isompia kuin käyttöoppaassa määritelty tukkikoko. Älä yritä halkaista tukkeja, joissa on koneen toimintaa haittaavia osia, kuten nauvoja tai rautalankaa.

Tukin alapinnan tulee olla tasaisesti leikattu, eikä tukissa saa olla oksia. Tukki tulee halkaista syiden suuntaisesti. Älä koskaan aseta tukkia pystyasentoon puunhalkaisukoneeseen.

Käyttäjän tulee aina hallita ohjainlaitetta molemmin käsin. Ohjainlaitetta ei saa käyttää millään muulla tavalla.

Aseta kone vakaalle, tasaiselle tukialustalle, joka on korkeudeltaan 60–75 cm. Varmista, että koneen ympärillä on runsaasti liikkumatilaa. Varmista, että tukialustalla ei ole mitään esineitä, jotka voisivat estää konetta liikkumasta vapaasti. Suosittelemme tähän käyttötarkoitukseen sopivan puunhalkaisukonejalustan käyttöä. Älä koskaan käytä konetta maassa. Kiinnitä puunhalkaisukone työalustaan, jos se liukuu paikaltaan.

Vaara! Älä yritä halkaista kahta tukkia yhdellä kertaa.

Vaara! Älä koskaan lisää seuraavaa tukkia tai vaihda tukkia, kun kone on toiminnassa.

Vaara! Älä koskaan kajoa puunhalkaisukoneen suojalaitteisiin, äläkä käytä konetta ilman suojalaitteita.

Varoitus! Älä koskaan pakota puunhalkaisukonetta viittä sekuntia kauempaa, kun yrität halkaista erityisen kovaa puuta. Tämän ajan umpeuduttua öljy voi ylikuumentua. Muuta erityisen kovan tukin asentoa 90° nähdäksesi, voiko sen halkaista toisessa suunnassa. Jos et pysty halkaisemaan tukkia, silloin puun kovuus

ylittää koneen suorituskyvyn.

Kielletty! Älä koskaan avaa kytkentälaatikkoa tai sähkömoottorin kantta. Ota tarvittaessa yhteyttä pätevään sähköasentajaan.

Varoitus! Pidä huolta, että kone ja sähköjohto pysyvät kaukana vedestä. Käsittele sähköjohtoa varoen.

Älä koskaan nyi tai revi sähköjohtoa. Pidä sähköjohto kaukana korkeista lämpötiloista, öljystä ja terävistä esineistä.

Tarkista puunhalkaisukone ennen sen kytkemistä päälle. Pidä suojukset paikallaan ja toimintakuntoisina. Ota tavaksi tarkistaa ennen käynnistystä, että kaikki avaimet ja säätötyökalut on poistettu työalueelta ennen koneen käynnistämistä. Vaihda vaurioituneet, puuttuvat tai huonosti toimivat osat ennen käyttöä.

OSAT JA SÄÄTIMET (KUVA 1)

1.	Suojus
2.	Kiila
3.	Tukkialusta
4.	Nostokahva
5.	Tukin pidikelevyt
6.	Kytkin
7.	Painikkeet
8.	Pyörä
9.	Ilmausruuvi
10.	Öljyntyhjennyspultti ja mittatikku
11.	Työpöytä
12.	Tukintyönnin
13.	Ohjainvivun suojus
14.	Hydraulinen ohjainvipu
15.	Moottori
16.	Maksimaalista painetta rajoittava ruuvi
17.	Tukijalka

PAKKAUKSEN PURKAMINEN

Huomio! Tämä pakkaus sisältää teräviä osia. Ole varovainen pakkausta purkaessasi. Poista kone ja sen mukana tulleet varusteet pakkauksesta. Tarkista huolellisesti, että kone on hyvässä kunnossa ja kaikki tässä käyttöoppaassa luetellut varusteet ovat mukana.

Varmista myös, että kaikki varusteet ovat täydellisiä. Jos osia puuttuu, kone ja sen varusteet on palautettava jälleenmyyjälle alkuperäisessä pakkauksessa.

Älä heitä pakkausta pois, säilytä se koko takuu-aika, kierrätä sen jälkeen, mikäli mahdollista, tai hävitä muulla asiallisella tavalla. Älä anna lasten leikkiä tyhjiillä muovipusseilla tukehtumisvaaran takia.

TOIMITUKSEN SISÄLTÖ (KUVA 2)

1.	Puunhalkaisukoneen runko
2.	Kuljetuskahva
3.	Tukikannatin 1 (x 2)
4.	Tukikannatin 2
5.	Käyttöopas
6.	Suojuksen pohjalevy
7.	Tukkialusta 1
8.	Tukkialusta 2
9.	Suojuksen ylälevy 1
10.	Suojuksen ylälevy 2
11.	Suojuksen takalevy 1
12.	Suojuksen takalevy 2
13.	Suojuksen etulevy
14.	Suojuksen vasen levy
15.	Levyjen liitoskappale (x 2)
16.	Tarvikepussi, joka sisältää mutterit ja pultit

KOKOAMINEN

VAROITUS! Työkalu ei saa koskaan olla verkkovirtaan kytkettynä osien vaihdon, säätöjen, puhdistamisen ja huollon aikana tai silloin kun työkalu ei ole käytössä. Työkalun irrottaminen verkkovirrasta estää tahattomat käynnistymiset, jotka voivat aiheuttaa vakavan loukkaantumisen.

NOSTOKAHVAN ASENTAMINEN (KUVA 3)

Asenna nostokahva U-kiinnikkeeseen kahdella M6 x 16 pultilla.

TUKKIALUSTAN ASENTAMINEN

Kiinnitä suojuksen pohjalevy takaohjauslevyyn ja kiinnitä kahdella M6 x 12 kuusiokoloruuvilla ja lukkomuttereilla, kuva 4 (1).

Löysää kuusiokoloruuvi ja iso aluslevy pyörän kiinnikkeestä. Työnnä tukikannattimen 2 avoin pää ison aluslevyn ja pyörän kiinnikkeen väliin ja kiristä ruuvi.

Yhdistä tukikannattimen 2 yläpää suojuksen pohjalevyyn ristipääruuvilla M6x12 ja lukkomutterilla M6 ja kiristä, kuva 4 (2).

Kohdista tukkialustan 1 asennusreiät halkaisukoneen takana oleviin reikiin. Työnnä yksi kuusiokoloruuvi M6x12 ja jousialuslevy 6 vasemman sivun asennusreikään ja toinen kuusiokoloruuvi M6x12 ja lukkomutteri M6 oikeaan sivuun ja kiristä kummatkin, kuva 5 (1).

Löysää kupukantapultti ja mutteri etujalan vasemmalta puolelta, työnnä tukikannattimen 1 avoin pää pultin päälle ja kiristä mutteri.

Yhdistä tukikannattimen 1 yläpää tukkialustaan 1 ristipääruuvilla M6x12 ja lukkomutterilla M6 ja kiristä, kuva 5 (2).

Kohdista tukkialustan 2 asennusreiät halkaisukoneen edessä oleviin reikiin. Työnnä yksi kuusiokoloruuvi M6x12 ja jousialuslevy 6 oikean sivun asennusreikään ja toinen kuusiokoloruuvi M6x12 ja lukkomutteri M6 vasempaan sivuun ja kiristä kummatkin, kuva 6 (1).

Löysää kupukantapultti ja mutteri etujalan oikealta puolelta, työnnä tukikannattimen 1 avoin pää pultin päälle ja kiristä mutteri.

Yhdistä tukikannattimen 1 yläpää tukkialustaan 2 ristipääruuvilla M6x12 ja lukkomutterilla M6 ja kiristä, kuva 6 (2).

Yhdistä tukkialusta 1 ja tukkialusta 2 kahdella M6 x 12 ruuvilla ja lukkomuttereilla, kuva 7.

VERKKOSUOJUKSEN KOKOAMINEN JA KIINNITTÄMINEN

Yhdistä kaksi suojuksen takalevyä yhteen kahdella M6x20-pultilla, U-aluslevyillä ja muttereilla.

Kiinnitä suojuksen etulevy, suojuksen vasen levy ja suojuksen takalevyt tukkialustaan ja pohjalevyyn. Kiinnitä etu- ja takalevyt M6x20-pulteilla, U-aluslevyillä ja muttereilla. Kiinnitä vasen levy M6x20-pultilla ja mutterilla, kuva 8.

Asenna kaksi suojuksen ylälevyä pystylevyihin M6x20 pulteilla, U-aluslevyillä ja muttereilla.

Yhdistä kaksi suojuksen ylälevyä kahdella M6x20-pultilla, U-aluslevyillä ja muttereilla, kuva 9.

ILMAUSRUVVI

VAROITUS! Ennen puunhalkaisukoneen käyttöä ilmausruuvia tulee löysätä muutama kierros, jotta ilma pääsee virtaamaan tasaisesti öljysäiliöön ja öljysäiliöstä ulos.

Ilmausruuvien reiän läpi kulkevan ilmapirran tulisi olla puunhalkaisukoneen käytön aikana havaittavissa.

Ennen puunhalkaisukoneen liikuttelua tulee tarkistaa, että ilmausruuvi on kiristetty. Näin vältetään öljyn valumiselta tästä kohdasta.

Jos ilmausruuvia ei ole löysätty, hydrauliseen järjestelmään suljettu ilma jää paineistumaan paineen purun jälkeen. Jatkuva ilman paineistuminen ja paineen purku irrottaa hydraulisen järjestelmän tiivisteet ja johtaa puunhalkaisukoneen pysyvään vahingoittumiseen

MAKSIMAALISTA PAINETTA RAJOITTAVA RUUVI KUVA 1 (16)

VAROITUS! Älä säädä maksimaalista painetta rajoittavaa ruuvia. Maksimaalinen paine on pätevän mekaanikon ammattilaistyökaluilla säätämä. Tällä säädöllä varmistetaan, että puunhalkaisukone toimii paineessa, joka ei ylitä 4 tonnia.

Säädön luvaton muuttaminen aiheuttaa hydraulisen pumpun toimintahäiriön ja voi johtaa vakavaan henkilövahinkoon sekä vaurioittaa konetta.

PUUNHALKAISUKONEEN KULJETTAMINEN

Ennen koneen siirtämistä tai kuljettamista irrota sähköjohto virtalähteestä: odota kunnes koneen toiminta on täysin pysähtynyt; anna koneen jäähtyä ja kela sähköjohto ja kiinnitä se.

HUOMIO: ENNEN PUUNHALKAISUKONEEN LIIKUTTELUA TULEE TARKISTAA, ETTÄ ILMAUSRUVVI ON KIRISTETTY. NÄIN VÄLTYYTÄÄN ÖLJYN VALUMINEN.

Jos haluat siirtää puunhalkaisukonetta lyhyen matkan, nosta etukahvasta siten, että koneen etuosa nousee ylös ja pyörät koskettavat maata. Työnnä tai vedä konetta taaksepäin tai eteenpäin. Varo epätasaisia ja/tai liukkaita pintoja.

VAROITUS! Älä siirrä puunhalkaisukonetta, jos siinä on tukki kiinni.

PITKÄN MATKAN KULJETUS

Kun puunhalkaisukone on nostettu kuorma-autoon, kiinnitä se merkityistä kohdista, jotta vältät puunhalkaisukoneen vapaan liikkeen, kuva 10.

Jos käytät nosturia, kiinnitä rakisilmukka nostopisteeseen. Älä koskaan yritä nostaa puunhalkaisukonetta kahvasta.

KÄYTTÄMINEN

KÄYTTÖEDELLYTYKSET

Tämä puunhalkaisukone on kotitalouksissa käytettävä malli. Se on suunniteltu toimimaan ympäristölämpötiloissa 5–40 °C ja asennuskorkeudessa, joka on enintään 1000 m merenpinnan yläpuolella. Ympäristön kosteuden pitää olla alle 50 % 40 °C:n lämpötilassa. Kone voidaan varastoida ja sitä voidaan kuljettaa -25 °C:n ja +55 °C:n välillä olevissa lämpötiloissa.

Aseta puunhalkaisukone ennen käyttämistä 72–85 cm korkealle, vakaalle, tasaiselle ja sileälle työpenkille. Kiinnitä tukijalka kahdella pultilla M8 x 35 (A) kovaan alustaan, kuva 11.

Tämä puunhalkaisukone on suunniteltu yhden käyttäjän käytettäväksi ja vaatii molempien käsien käyttöä. Vasen käsi ohjaa hydraulista ohjainvipua, ja oikea käsi ohjaa painonappikytkintä, kuva 12. Jos kumpikin käsi ei ole käytössä, puunhalkaisukone pysähtyy. Puunhalkaisukone alkaa peräytyä aloitusasentoon vasta, kun molempien kätensä ohjaimet on vapautettu, kuva 13.

Liipaisintyyppinen lukituslaite estää hydraulisen ohjainvivun tahattoman painamisen. Käytä hydraulista ohjainvipua siten, että vedät liipaisimen etusormella taakse ennen kuin työnnät hydraulisen ohjainvivun eteenpäin.

HUOMAA: Kun käynnistät tukin halkaisun, älä kurottele halkaisualueelle.

VAROITUS: ÄLÄ KOSKAAN PAKOTA PUUNHALKAISUKONETTA YLI 5 SEKUNTIA HALKAISEMAAN ERITTÄIN KOVAA PUUTA. TÄMÄN AIKAVÄLIN UMPEUDUTTUA PAINEELE ALISTETTU ÖLJY YLIKUUMENEE JA KONE SAATTAA VAURIOITUA.

Muuta erityisen kovan tukin asentoa 90° nähdäksesi, voiko sen halkaista toisessa suunnassa. Joka tapauksessa, jos et pysty halkaisemaan tukkia, tämä tarkoittaa sitä, että puun kovuus ylittää koneen suorituskyvyn ja tukki tulee hylätä puunhalkaisukoneen suojelemiseksi.

Aseta tukit aina tukevasti tukkien pidikelevyille ja työpöydälle Varmista, että tukit eivät käänny, keinahtelevä eivätkä liu'u silloin, kun niitä halkaistaan. Älä pakota terää halkaisemalla tukkia terän ylemmällä osalla. Tämä voi rikkoa terän tai vahingoittaa konetta, kuva 14.

Halkaise tukki puun kasvusyvien suuntaisesti. Älä aseta halkaistavaa tukkia poikittain puunhalkaisukoneelle. Tämä on vaarallista ja voi vahingoittaa konetta vakavasti.

Älä yritä halkaista kahta tukkia yhdellä kertaa. Toinen niistä saattaa lennähtää ylöspäin ja osua sinuun.

VAARA! PIDÄ KÄTESI POISSA HALKAISUALUEELTA, JÄNNITTEISELTÄ AULUEELTA JA KUUMILTA ALUEILTA TYÖSKENTELYN AIKANA, KUVA 15.

JUMIUTUNEEN TUKIN IRROTTAMINEN

Vapauta molemmat ohjausvivut.

Puunhalkaisukone palaa takaisin ja pysähtyy kokonaan aloitusasemaansa.

Aseta puukiila jumiutuneen tukin alle, kuva 16.

Käynnistä puunhalkaisukone, jotta puukiila työntyisi kokonaan jumiutuneen tukin alle, kuva 17.

Toista yllä kuvattu toimenpide terävämmällä kiilalla, kunnes tukki on irronnut kokonaan.

Huomio: Älä yritä iskeä jumiutunutta tukkia irti. Iskeminen saattaa johtaa koneen vaurioitumiseen tai tukin irti singahtamiseen, mistä voi seurata onnettomuus, kuva 18.

KUNNOSSAPITO

Varoitus! Varmista, että puunhalkaisukone on kytketty pois päältä ja irrotettu sähkövirrasta ennen kuin teet mitään puhdistus- tai huoltotoimenpiteitä.

HYDRAULIÖLJYN VAIHTAMINEN

Vaihda puunhalkaisukoneen hydraulioöljy aina 150 tunnin käytön jälkeen. Noudata vaihdossa seuraavia ohjeita.

Varmista, että puunhalkaisukone on palannut alkuasentoonsa ja kone on irrotettu sähkövirrasta.

Löysää ilmausruvia kolme tai neljä kierrosta.

Löysää ja irrota öljyntyhjennyspultti öljytikkuihin, kuva 19.

Aseta puunhalkaisukoneen alle astia, johon mahtuu vähintään 4 litraa öljyä. Kallista puunhalkaisukonetta ja tyhjä öljy astiaan, kuva 20.

Kallista puunhalkaisukone toiseen suuntaan siten, että öljynvaihtoaukko on ylöspäin. Kaada hydraulista öljyä öljysäiliöön käyttäen puhdasta suppiloa, kuva 21. Kaada öljyä erittelytaulukossa määritetty määrä.

Puhdista öljyntyhjennyspulttiin kiinnitetyn öljytikun pinta, aseta puunhalkaisukone pystyasentoon ja pane öljytikku takaisin öljysäiliöön.

Varmista, että uuden öljyn taso on täsmälleen öljytikun kahden uurteen välillä, kuva 22.

Lisää öljyä tarvittaessa.

Puhdista täyttökaula ja pultin/mittatikun aluslevy/tiiviste huolellisesti ja kierrä takaisin. Kiristä riittävästi, jotta öljyä ei vuoda ulos, ÄLÄ kiristä liikaa.

Palauta kone varovasti normaaliin toimintakuntoon.

Kiristä lopuksi ilmausruuvi.

HYDRAULIÖLJYN MÄÄRÄ

- 3,5 litraa

SUOSITELLUT HYDRAULIÖLJYT

Suosittelimme seuraavia öljyjä käytettäväksi hydraulijärjestelmässä:

- SHELL Tellus 22
- MOBIL DTE 11
- ARAL Vitam GF 22
- BP Energol HLP-HM 22
- tai muut vastaavat öljyt

KIILAN TEROITTAMINEN

Kun kone on ollut jonkin aikaa käytössä tai mikäli tarpeen, teroita kiila hienohampaisella viilalla ja silota sitten huolellisesti leikkauspinnan mahdolliset epätasaiset alueet.

VARASTOINTI

Irrota kone verkkovirrasta.

Kiristä ilmausruuvi.

Puhdista laite kuivalla liinalla.

TEKNISET TIEDOT

Jännite	230 V – 50 Hz
Moottori	2200 W S3 25%
Nimellisteho	5 tonnia
IP-luokitus	IP54
Tukin maksimi pituus	520 mm
Tukin minimi läpimitta	50 mm
Tukin maksimi läpimitta	250 mm
Hydraulipaine	20,6 Mpa
Öljyn määrä	3,5 l

VIANETSINTÄ

ONGELMA	SYY	SYY
Tukkien halkaisu ei onnistu.	Tukki on väärin asetettu.	Katso kohtaa ”Tukkien asettaminen”.
	Kiilan leikkuureuna on tylsä.	Katso kohtaa ”Kiilan teroittaminen”.
	Öljyvuoto.	Ota yhteyttä jälleenmyyjään.
	Maksimaalista painetta rajoittavaa ruuvia on säädetty ilman lupaa.	Ota yhteyttä jälleenmyyjään.
Puunhalkaisukone liikkuu nykivin liikkein.	Hydraulijärjestelmässä on liikaa ilmaa.	Tarkista öljytaso ja lisää tarvittaessa. Ota yhteyttä jälleenmyyjään.
Öljyä valuu sylinterin renkaasta tai muista kohdista.	Ilma tiivistynyt hydraulijärjestelmään käytön aikana.	Löysää ilmausruuvia 3–4 kierrosta ennen puunhalkaisukoneen käyttämistä.
	Ilmausruuvia ei ollut kiristetty ennen puunhalkaisukoneen siirtelyä.	Kiristä ilmausruuvi ennen puunhalkaisukoneen siirtelyä.
	Öljyntyhjennyspultti ei ole kireällä.	Kiristä öljyntyhjennyspultti.
	Hydraulinen ohjausventtiilikokoonpano ja/tai -tiiviste(eet) kuluneet.	Ota yhteyttä jälleenmyyjään.

SYMBOLIT

Työkalusi arvokilvessä voi olla symboleita. Ne merkitsevät tärkeää tietoa tuotteesta tai ohjeita sen käyttöön.



Käytä kuulosuojaimia.

Käytä suojalaseja.

Käytä hengityssuojaa.



Vastaa voimassa olevia turvallisuusstandardeja.



Lue käyttöohje.



Käytä suojakäsineitä



Käytä turvajalkineita



Käden leikkautumisen tai murskautumisen vaara



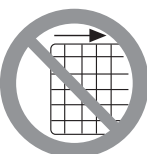
Huomioi aina koneen liike.



Suojaa kätesi



Irrota laite pistorasiasta, kun sitä ei käytetä.



Tarkasta puunhalkaisukone ennen käyttöä vaurioiden varalta



Vanhoja sähkölaitteita ei saa hävittää kotitalousjätteen mukana. Toimita ne kierrätystä varten keräyspisteeseen. Pyydä kierrätysohjeita paikallisilta viranomaisilta tai jälleenmyyjältä.



Tuote vastaa RoHS-vaatimuksia



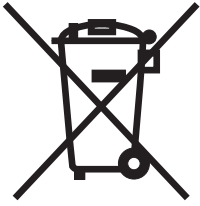
Tätä konetta saa käyttää vain yksi ihminen. Pidä sivulliset ja lapset turvallisella etäisyydellä työskentelyalueesta koneen ollessa käytössä.



Suojele ympäristöä

YMPÄRISTÖNSUOJELU

Tietoja (yksityisten kotitalouksien) käytetyn sähkö- ja elektroniikkalaitteiston (Waste Electrical and Electronic Equipment, WEEE) ympäristöllisesti vastuullisesta hävittämisestä.



Tämä symboli tuotteissa ja tai sen mukana tulevissa asiakirjoissa osoittaa, että käytettyjä ja loppuun kuluneita sähkö- ja elektroniikkalaitteita ei saa hävittää kotitalousjätteen mukana. Asianmukaista hävitystä, käsittelyä, uudelleenkäyttöä ja kierrätystä varten vie nämä tuotteet nimettyihin keräyspisteisiin, joihin ne hyväksytään ilmaiseksi. Vaihtoehtoisesti joissain maissa voit palauttaa ne vähittäismyyjällesi ostaessasi uutta vastaavaa tuotetta. Kun hävität tämän tuotteen asianmukaisesti, autat säilyttämään arvokkaita luonnonvaroja ja estämään sellaisia mahdollisia haitallisia vaikutuksia ihmisterveydelle ja ympäristölle, joita voisi muutoin ilmetä virheellisestä jätteenhävittämisestä ja -käsittelystä. Ota yhteyttä paikalliseen viranomaiseen

saadaksesi lisätietoja lähimmästä nimetystä keräyspisteestä. Tämän jätteen virheellisestä hävittämisestä voidaan määrätä rangaistuksia kansallisen lainsäädännön mukaisesti.

YRITYSKÄYTTÄJILLE EUROOPAN UNIONISSA.

Jos haluat heittää pois sähkö- tai elektroniikkalaitteistoa, ota yhteyttä jälleenmyyjäsi tai tavarantoimittajaasi saadaksesi lisätietoja.

Tietoja hävittämisestä muissa maissa Euroopan unionin ulkopuolella.

Tämä symboli on voimassa vain Euroopan unionissa.

Jos haluat hävittää tämän tuotteen, ota yhteyttä paikallisiin viranomaisiin tai jälleenmyyjäsi ja kysy neuvoa asianmukaisesta hävitysmenetelmästä.

ELEKTRISKA DATA

VIKTIGT

Denna produkt är utrustad med en helgjuten kontakt som är kompatibel med redskapet och nätspänningen i ditt hemland och uppfyller alla internationella normer.

Apparaten ska anslutas till en nätspänning som överensstämmer med den som anges på märkplåten. Om kontakten eller strömkabeln är skadade ska de bytas ut mot en enhet som är identisk med den originala.

Följ alltid föreskrifterna som gäller för elektriska nätanslutningar i ditt hemland.

Vid tveksamhet, vänd dig till en kvalificerad elektriker.

INLEDNING

Tack för att du köper denna produkt som har genomgått vår omfattande kvalitetssäkringsprocess. Stor noggrannhet har lagts på att säkerställa att den levereras i felfritt skick.

SÄKERHETEN FRAMFÖR ALLT

Innan du börjar använda denna elektriska maskin bör följande säkerhetsåtgärder genomföras för att minska risken för bränder, elchocker och personskada. Det är viktigt att du läser bruksanvisningen för att förstå hur maskinen fungerar, dess begränsningar och vilka faror som kan förekomma med den.

GARANTICERTIFIKAT

Denna produkt har en garanti på 2 år med början på köpdagen och gäller enbart den första köparen. Garantin täcker endast fel som uppstår på grund av defekta material och/eller tillverkningsfel som uppdragas under garantiperioden, och täcker inte förbrukningsmaterial. Tillverkaren åtar sig att reparera eller ersätta produkten enligt eget gottfinnande på följande premisser: Att produkten använts i enlighet med rekommendationerna i bruksanvisningen samt att den inte har missbrukats, hanterats med ovetenskap eller använts för opassande ändamål, att den inte har plockats isär eller manipulerats på något sätt eller har reparerats av obehörig personal eller har hyrts ut. Transportskador täcks inte av garantin då dessa är transportföretagets ansvar. Garantifordringar måste göras omgående och till återförsäljaren under garantiperioden. Endast under mycket speciella omständigheter kan det bli aktuellt att returnera produkten till tillverkaren. I dessa fall ansvarar kunden för returkostnaden och att produkten förpackas med tillräckligt skydd mot transportskador. Returen måste innehålla en kort beskrivning av produktfelet samt en kopia på kvittot eller annat köpbevis. Tillverkaren ansvarar inte för några speciella, direkta, indirekta, oavsiktliga eller efterföljande förluster eller skador under denna garanti. Denna garanti är ett tillägg till, och påverkar inte på något sätt, konsumentens rättigheter i och med konsumentköplagen.

Elverktyget är endast avsett för hushållsbruk. Elverktyget är inte lämpligt och inte avsett för kommersiell eller yrkesmässig användning.

Garantin täcker inte defekter och skador på elverktyg som härrör från andra användningsområden än hushållsbruk, i synnerhet till följd av genomdrivning och missbruk.

"Garantin upphävs om verktyget skadas på grund av ett av följande förhållanden:

1. Missbruk av produkten eller försummelse av korrekt underhåll av produkten,
2. Produkten används kommersiellt, yrkesmässigt eller hyrts ut,
3. Reparation utförd av ett obehörigt serviceföretag.
4. Skador orsakade av externa objekt eller ämnen."

SÄRSKILDA SÄKERHETSFÖRESKRIFTER

Läs noga igenom denna bruksanvisning. Bekanta dig med apparatens användning och begränsningar, samt eventuella faror som den förknippas med.

Använd inte vedklyven under påverkan av narkotiska ämnen, alkohol eller medicin som påverkar din förmåga att kontrollera enheten.

Stå aldrig ovanpå maskinen. Stå alltid korrekt för god balans. Förvara inga objekt ovanpå eller i närheten av vedklyven så att ingen ställer sig på maskinen för att nå dem.

Lämna aldrig maskinen oövervakad när strömmen är ansluten (påslagen i läget "on" (på). Efter användningen, säkerställ att maskinens strömförsörjning är fränkopplad. Lämna aldrig maskinen innan du har säkerställt att den har stoppats helt.

Varje gång du justerar, flyttar eller underhåller maskinen, säkerställ först att den är fullständigt bortkopplad från strömförsörjningen.

Denna maskin får endast användas av en person i taget. Denna maskin får endast användas av ansvarsfulla vuxna som har läst igenom bruksanvisningen och förstått dess innehåll.

Se alltid till att strömkabeln är skyddad.

Se alltid till att inspektera maskinen efter eventuella skador före användning. Var noga med att hålla maskinen väl underhållen.

Håll alltid ett säkerhetsavstånd mellan din hand och stocken, samt mellan påskjutaren och klyvkilen.

Försök inte att placera en stock i vedklyven när pumpen rör sig.

Håll handen på ett ordentligt avstånd från sprickor och brott som öppnas i stocken; de kan plötsligt stängas igen.

Tvinga inte bladet att dela stocken med den övre delen av bladet. Det kan spräcka bladet eller skada ramen. Placera alltid stocken på supporten.

Be aldrig någon om hjälp med att frigöra en stock som fastnat.

Använd inte en maskin med en elektrisk motor om den innehåller gas, bensenångor eller andra lättantändliga ångor.

Säkerställ att strömförsörjningen är korrekt skyddad och att den motsvarar motorns märkeffekt, spänning och frekvens; kontrollera även att strömförsörjningen är jordad; och att den är ansluten till en differentialbrytare.

Jorda vedklyven. Undvik fysisk kontakt med jordade objekt som t.ex. rör, element och kylskåpsramar.

Säkerställ att ditt finger inte vidrör metallspetsen på kontakten vid anslutning eller urkoppling till eluttaget.

Använd en kabel med en diameter på minst 2,5 mm². Undvik att använda anslutningar som saknar eller har olämplig isolering. Anslutningen måste vara lämplig för utomhusbruk genom att använda en isolerad kabel.

Användning av en förlängningskabel som är för lång eller för tunn kan minska spänningen, vilket förhindrar motorn från att köras med full effekt. Var noga med att inte använda en förlängningskabel som är längre än 10 meter.

SÄKERHETSFÖRHÅLLANDEN

Varning! Skydds- och säkerhetsutrustningen får inte manipuleras och bör inte heller tas bort.

Fara! Risk för kapning och krossning av hand; rör aldrig de farliga områdena när vedklyvaren är i drift.

Varning! Var alltid uppmärksam på vedklyvens rörelser.

Varning! Ta aldrig bort en stock som fastnat mot kilen för hand.

Varning! Spänning i enlighet med VIN-plåten.

SÄRSKILD VARNING FÖR ANVÄNDARE AV VEDKLYVEN

Användning av denna maskin med effekt kan leda till mycket farliga situationer. Var noga med säkerheten för dig själv och andra personer.

HYDRAULSYSTEM

Använd aldrig denna maskin om hydraulsystemet inte är i ett säkert skick. Innan du startar maskinen, kontrollera hydraulsystemet efter läckage. Var noga med att hålla maskinen och arbetsområdet fritt och det inte finns något oljeläckage. Hydraulvätskan kan orsaka farliga situationer; du kan halka på vätskan och falla omkull, dina händer kan glida när du använder maskinen eller vätskan kan ge upphov till en brandrisk.

ELEKTRISK SÄKERHET

Använd aldrig denna maskin när de elektriska anslutningarna inte är i ett säkert skick. Använd aldrig elektrisk utrustning i våta förhållanden. Använd aldrig denna maskin när den är ansluten till en farlig ström- eller förlängningskabel. Använd aldrig denna

utrustning om den inte är ordentligt ansluten till en jordad elektrisk kontakt med en spänning som är lämplig för maskinen och är skyddad med en 10 A-säkring.

FAROR MOT DIN FYSISKA HÄLSA

Stockklyvning kan ge upphov till situationer som är i synnerhet farliga för din hälsa. Använd aldrig denna utrustning utan ordentliga skyddshandskar (handskar som inte leder elektricitet), halksäkra skor med stålhätta och lämpligt ögonskydd. Akta dig för splitter från klyvningen; dessa kan orsaka skador och fastna i maskinen. Använd ett hårskydd så att ditt hår inte hamnar i närheten av eller fastnar i maskinen.

Använd inte löst sittande kläder, slipsar eller smycken (ringar, klockor osv.). De kan fastna i maskinens rörliga delar.

Försök aldrig att klyva stockar som är för stora eller för små för att passa korrekt i maskinen.

Försök aldrig att klyva stockar som innehåller spikar, ståltråd eller andra komponenter som kan skada maskinen.

Städa upp medan du arbetar: träfragment och träflis kan skapa en farlig arbetsmiljö.

Fortsätt aldrig att arbeta i ett arbetsområde som är fullt med material som kan få dig att halka, snubbla eller ramla. Håll åskådare på avstånd från maskinen; låt aldrig utomstående använda maskinen. Åskådare (personer och djur) måste hålla ett avstånd på minst 5 meter från maskinen.

Säkerställ att arbetsområdet har god belysning.

WARNING! Ingen varningslista kan omfatta alla situationer. Användaren måste använda sunt förnuft och använda maskinen på ett säkert sätt.

Innan du startar rekommenderas det att gå igenom de allmänna säkerhetsprocedurerna.

EGENSKAPER FÖR DENNA VEDKLYV

På grund av att maskinen är portabel, lättviktig och har inbyggda hjul är det enkelt att flytta och transportera den.

Kraft. Stockarna klyvs snabbt med maskinens kraft på 4 ton.

Drivs med elektricitet. På grund av det praktiska och pålitliga eldrivna hydraulsystemet kan besväret och kostnaderna som uppkommer från underhållet av en liten bränslemotor undvikas. Anslut bara maskinen till en strömkälla och starta klyvningen.

Hydraulisk pump. Den effektiva hydrauliska pumpen klyver stockar på ett säkert och kontrollerat sätt utan yxor, släggor och kilar.

Tvåhändig säkerhetskontroll. Det inbyggda säkerhetsförfarandet håller dina händer på säkert avstånd från stocken och maskinen vid användning.

SÄRSKILDA SÄKERHETSANVISNINGAR FÖR VEDKLYVEN

Innan du startar maskinen, kontrollera överbelastningsskyddet och skyddsplåtens skick.

Innan du startar maskinen, säkerställ att ingen olja läcker från maskinen och att den hydrauliska oljenivån är mellan skårorna på oljestickan.

Innan du startar maskinen, kontrollera vedklyvarens skick. Håll skyddsutrustningen på plats och i bra skick. Gör det till en vana att kontrollera att alla verktyg har tagits bort från arbetsområdet innan maskinen startas. Byt ut skadade, saknade eller beställda delar innan maskinen används.

Starta maskinen utan belastning och kontrollera att den fungerar korrekt.

Tänk på eventuella faror som kan utvecklas vid klyvning av vissa typer av stockar (t.ex. stockar som är ojämna eller har oregelbundna former).

Kom ihåg att alltid använda en bärbar jordfelsbrytare (RCD) om elsystemet inte har en felströmsbrytare på minst 0,03 A.

Klyv aldrig stockar som är större än stockstorleken som anges i bruksanvisningen. Försök aldrig att klyva stockar som innehåller delar som t.ex. spikar eller ståltråd eftersom de är farliga för maskinens drift.

Stockens nedre yta ska klyvas jämnt och det får inte finnas några grenar på stocken. Stocken bör klyvas i träfibrets riktning. Placera aldrig en stock i ett stående läge på vedklyven.

Användaren måste alltid använda styrenheten med båda händerna. Styrenheten får inte användas på något annat sätt.

Placera maskinen på en horisontell och stabil stödyta med en höjd på 60 - 75 cm. Säkerställ att det finns utrymme att röra sig runt maskinen. Säkerställ att det inte finns några objekt på stödytan som kan förhindra att maskinen rörs fritt. För detta ändamål så rekommenderar vi att använda ett stativ för vedklyven. Använd aldrig maskinen direkt på marken. Montera vedklyven på en arbetsbas om den flyttas från sin plats.

Fara! Klyv aldrig två stockar på samma gång.

Fara! Lägg aldrig på nästa stock eller ändra en stock medan maskinen är i drift.

Fara! Mixtra aldrig med vedklyvens säkerhetsutrustning och använd inte maskinen utan skyddsutrustning.

Varning! Forcera aldrig vedklyven i mer än fem sekunder vid klyvning av mycket hårt trä. Efter fem sekunder kan oljan överhettas. Ändra positionen för mycket hårt trä med 90 grader för att kontrollera om den kan klyvas i den andra riktningen. Om du inte kan klyva stocken innebär det att träets hårdhet överstiger maskinens kapacitet.

Förbjudet! Öppna aldrig kopplingsdosan eller den elektriska motorns hölje. Kontakta en kvalificerad elektriker om nödvändigt.

Varning! Var noga med att hålla maskinen och strömkabeln på avstånd från vatten. Hantera strömkabeln med försiktighet.

Ryck eller slit aldrig i strömkabeln. Håll strömkabeln borta från höga temperaturer, olja och vassa föremål.

Kontrollera din vedklyvare innan du slår på den. Behåll skydden på plats och i funktionsdugligt skick. Gör det till en vana att kontrollera att nycklar och justeringsnycklar tas bort från verktygsområdet innan du slår på den. Byt ut skadade, saknade eller delar som inte fungerar innan du använder den.

KOMPONENTER OCH KONTROLLER (FIG. 1)

1.	Skydd
2.	Kil
3.	Vedbricka
4.	Lyfthandtag
5.	Fasthållningsplattor för vedträ
6.	Omkopplare
7.	Låda för tryckknapp
8.	Hjul
9.	Blödningskruv
10.	Oljedräneringsbult med mätstift
11.	Arbetsbord
12.	Framtryckningsanordning för vedträ
13.	Skydd för kontrollspak
14.	Hydraulisk kontrollspak
15.	Motor
16.	Begränsningskruv för max tryck
17.	Stödben

UPPACKNING

Var försiktig! Denna förpackning innehåller vassa föremål. Var försiktig vid uppackning. Plocka ut maskinen, tillsammans med medföljande tillbehör, ur förpackningen. Kontrollera noga för att säkerställa att maskinen är i gott skick och leta reda på alla tillbehör som anges i den här handboken.

Se även till att alla tillbehör är kompletta. Om några delar saknas måste maskinen och dess tillbehör returneras tillsammans i originalförpackningen till återförsäljaren.

Kasta inte bort förpackningen utan håll den säker under hela garantiperioden och återanvänd den om möjligt. I annat fall kan den kasseras på lämpligt sätt. Låt inte barn leka med tomma plastpåsar på grund av risken för kvävning.

LEVERERAT INNEHÅLL (FIG. 2)

1.	Vedklyvarens ram
2.	Transporthandtag
3.	Stödstag 1 (x 2)
4.	Stödstag 2
5.	Instruktionsmanual
6.	Skyddets bottenplåt
7.	Vedbricka 1
8.	Vedbricka 2
9.	Övre skyddsplåt 1
10.	Övre skyddsplåt 2
11.	Bakre skyddsplåt 1
12.	Bakre skyddsplåt 2
13.	Främre skyddsplåt
14.	Vänster skyddsplåt
15.	Plåtanslutare (x 2)
16.	Hårdvaruväska som innehåller muttrar och bultar

MONTERING

VARNING! Verktøget ska aldrig vara anslutet till strømforsørjning når du monterar delar, gør justeringar, rengør, utfør underhøllsarbeite eller når verktøget inte anvendes. Urkoppling av verktøget forhindrar oavsiktlig start som kan orsaka allvarlig skada.

MONTERING AV LYFTHANDTAGET (FIG. 3)

Montera lyfthandtaget på U-fæstet med två M6x16-bultar.

MONTERING AV VEDBRICKAN

Montera skyddets bottenplåt på den bakre styrplåten og sakra den med två M6x12 sockelhuvudskruvar og låsmuttrar, fig. 4 (1).

Lossa sockelhuvudskruven og den stora bricken på hjulbricken, sætt in den öppna änden av stödstag 2 mellan den stora bricken og hjulfæstet og dra åt skruven.

Anslut den övre änden av stagstöd 2 till skyddsbottenplåten med en M6x12 korsskruv med tværskärning og låsmuttern M6 og sætt sedan fast den, fig. 4 (2).

Rikta in de två monteringshålén i vedbricka 1 till hålén på baksidan av klyvaren. Sætt in en sockelhuvudskruv M6x12 og fjæderbricka 6 i monteringshålét på vänster sida og den andra sockelhuvudskruven M6x12 og låsmuttern M6 på höger sida og dra åt dem båda, fig. 5 (1).

Lossa kopphuvudbulten og muttern på vänster sida av det främre benet, sætt in den öppna änden av stagstöd 1 i bulten og dra sedan åt muttern.

Anslut den övre änden av stagstöd 1 till vedbricka 1 med en M6x12 korsskruv med tværskärning og låsmuttern M6 og dra sedan åt den, fig. 5 (2).

Rikta in de två monteringshålén i vedbricka 2 till hålén på framsidan av klyvaren. Sætt in en sockelhuvudskruv M6x12 og fjæderbricka 6 i monteringshålét på höger sida og den andra sockelhuvudskruven M6x12 og låsmuttern M6 på vänster sida og dra åt dem båda, fig. 6 (1).

Lossa kopphuvudbulten og muttern på höger sida av det främre benet, sætt in den öppna änden av stagstöd 1 i bulten og dra sedan åt muttern.

Anslut den övre änden av stagstöd 1 till vedbricka 2 med en M6x12 korsskruv med tværskärning og låsmuttern M6 og dra sedan åt den, fig. 6 (2).

Anslut vedbricka 1 og 2 med två M6x12 skruvar og låsmuttrar, fig. 7.

MONTERA OCH FÄSTA TRÅDSKYDDET

Skruva ihop de två bakre skyddsplåtorna med två M6x20-bultar, u-brickor og muttrar.

Montera den främre skyddsplattan, vänstra skyddsplattan og de bakre skyddsplåtorna till arbetsytan og nedre plattan. Sakra främre og bakre plåtorna med M6x20-bultar, u-brickor og muttrar, samt sakra den vänstra plattan med M6x20-bult og mutter (bild 8).

Montera de två övre skyddsplåtorna till de vertikala plåtorna med M6x20-bultar, u-brickor og muttrar.

Anslut de två övre skyddsplåtorna med två M6x20-bultar, u-brickor og muttrar (bild 9).

BLÖDNINGSSKRUV

VARNING! Innan du använder vedklyvaren bör blödningskruven lossas några varv tills luften smidigt kan flöda in og ut ur oljetanken.

Luftflödet genom blödningskruvens hål ska kunna detekteras medan vedklyvaren är i drift.

Kontrollera att blödningskruven är åtdragen for att undvika oljeläckage från denna punkt innan du flyttar vedklyvaren.

Underlåtenhet att lossa blödningskruven kommer att hålla den förseglade luften i hydraulsystemet komprimerad efter att den dekomprimerats. Kontinuerlig luftkomprimering og -dekompression kommer att blåsa ut tätningarna i hydraulsystemet og orsaka permanent skada på vedklyvaren.

BEGRÄNSNINGSSKRUV FÖR MAX TRYCK FIG. 1 (16)

VARNING! Justera inte begränsningsskruv for max tryck. Maximalt tryck har ställts in av en kvalificerad mekaniker med professionella instrument for att säkerställa att vedklyvaren fungerar under tryck på högst 4 ton.

Otillåten återställning kommer att orsaka hydrauliska pumpfel og kan leda till allvarliga skador samt skador på maskinen.

TRANSPORTERA VEDKLYVAREN

Innan du flyttar eller transporterar maskinen ska du koppla bort den elektriska kabeln från strömkällan: vänta tills maskinens drift har upphört helt; låt maskinen svalna; rulla upp den elektriska kabeln och fäst den.

VAR FÖRSIKTIG: KONTROLLERA ATT BLÖDNINGSSKRUVEN ÄR ÅTDRAGEN FÖR ATT UNDVIKA OLJELÄCKAGE INNAN DU FLYTTAR VEDKLYVAREN.

När du vill flytta vedklyvaren ett kort avstånd lyfter du den i det främre handtaget så att maskinens främre dellyfts upp och hjulen kan rulla på marken. Tryck sedan på eller dra maskinen genom att röra dig bakåt eller framåt. Var uppmärksam på ojämna och/eller hala ytor.

VARNING! Transportera inte vedklyvaren med vedträn i den.

TRANSPORT ÖVER LÅNGA STRÄCKOR

Fäst vedklyvaren vid positionerna som har buntmärken efter att den har lyfts in i transportfordonet för att undvika att vedklyvaren rör sig fritt, fig. 10.

Om du använder en kran ska du placera lyftslingan vid lyftpunkten. Försök aldrig att lyfta vedklyvaren vid handtaget.

DRIFT

DRIFTSFÖRHÅLLANDEN

Den här vedklyvaren är en modell som är avsedd för användning i hemmet. Den är konstruerad för drift i omgivande temperaturer mellan +5 °C och 40 °C och för installation på höjder om högst 1 000m över M.S.L (Mean Sea Level). Den omgivande luftfuktigheten bör understiga 50 % vid 40 °C. Maskinen kan förvaras eller transporteras vid omgivande temperaturer mellan -25 °C och 55 °C.

Före drift ska vedklyvaren placeras på en 72-85 cm hög, stabil, platt och jämn arbetsbänk. Fixera stödbenet vid det hårda underlaget med två bultar M8x35(A), fig. 11.

Den här vedklyvaren är konstruerad för att endast drivas av en person och kräver att användaren använder båda sina händer. Den vänstra handen styr hydraulreglaget och den högra handen styr knappkopplaren, fig. 12. Vedklyvaren fryser (stannar) vid avsaknad av endera handen. Endast då båda händerna släpper kontrollerna börjar framtryckningsanordningen för vedträna att återvända bakåt till startpositionen, fig. 13.

Utelåsningsenheten av avtryckartyp har implementerats för att undvika oavsiktlig aktivering av den hydrauliska kontrollspaken. För att styra den hydrauliska kontrollspaken drar du avtryckaren bakåt med pekfingeret innan du trycker fram den hydrauliska kontrollspaken.

OBS! När du har börjat klyva ett vedträ får du aldrig sträcka dig in i klyvningszonen.

VARNING: TVINGA ALDRIG VEDKLYVAREN ATT KLYVA EXTRA HÅRT TRÄ UNDER MED ÄN 5 SEKUNDER. EFTER DENNA TID KOMMER OLJEUNDERTRYCKET ATT ÖVERHETTAS OCH MASKINEN KAN SKADAS.

För extremt hårda vedträna ska du rotera vedträet 90° för att se om det kan delas i en annan riktning. I vilket fall som helst, om du fortfarande inte kan dela vedträet så innebär det att träet överstiger maskinens kapacitet och att det bör kasseras för att skydda vedklyvaren.

Placera alltid vedträna stabilt på fasthållningsplattorna för vedträna och arbetsbordet. Se till att vedträna inte vrids, vinglar eller glider medan de klyvs. Tvinga inte bladet genom att klyva vedträet i den övre delen. Detta kommer att bryta sönder bladet eller skada maskinen, fig. 14.

Klyv vedträet i dess växtriktning. Placera inte vedträet över vedklyvaren inför klyvning. Det är farligt och kan skada maskinen allvarligt.

Försök inte klyva två vedträna på samma gång. Ett av dem kan flyga upp och träffa dig.

FARA! HÅLL DINA HÄNDER UTANFÖR KLYVNINGSOMRÅDET, LIVE-OMRÅDET OCH UPPHETTNINGSOMRÅDET UNDER DRIFT, FIG. 15.

LOSSA ETT VEDTRÄ SOM FASTNAT

Släpp bägge kontrollerna.

Vedklyvaren rör sig bakåt och stannar helt i utgångsläget.

Sätt in en kil av trä under vedträet som fastnat, fig. 16.

Starta vedklyvaren för att trycka träkilen in under vedträet som fastnat, fig. 17.

Upprepa ovanstående proceduren med skarpare kanter tills vedträet är helt fritt.

Var försiktig: Försök inte slå loss det fastnade vedträet från vedklyvaren då detta kan skada maskinen eller orsaka att vedträet flyger upp och orsakar en olycka, fig. 18.

UNDERHÅLL

Varning! Se till att vedklyvaren är avstängd och frånkopplad från elnätet innan rengörings- eller underhållsproceduren påbörjas.

BYTA HYDRAULOLJA

Byt hydraulolja i vedklyvaren efter varje gång då 150 timmars användning uppnåtts. Följ följande steg för att byta ut oljan.

Se till att vedklyvaren har återgått till utgångsläget och att maskinen är helt frånkopplad från strömkällan.

Lossa blödningskraven tre eller fyra varv.

Lossa oljedräneringsbult med mätstiftet och ta bort den, fig. 19.

Placera en skål som rymmer minst 4 liter olja under vedklyvaren. Luta vedklyvaren och töm oljan i skålen, fig. 20.

Luta vedklyvaren i andra riktningen så att oljebyteshålet vänds uppåt. Håll hydrauloljan i oljetanken med en ren tratt, fig. 21. Håll i den mängd olja som anges i specifikationstabellen.

Rengör ytan på mätstickan på oljedraineringsbulten och sätt tillbaka den i oljetanken medan du håller vedklyvaren vertikalt.

Se till att nivån för den påfyllda oljan ligger precis mellan 2 spår på mätstickan, fig. 22.

Tillsätt mer olja om så behövs.

Rengör påfyllningstratten och kontakten/mätsticksbrickan/försegla försiktigt och sätt tillbaka, dra åt tillräckligt för att förhindra oljeläckage. **DRA INTE ÅT FÖR HÅRT.**

Återställ försiktigt maskinen till normalt arbetsläge.

Slutligen drar du åt blödningskruven.

VOLYM FÖR HYDRAULOLJA

- 3,5 liter

REKOMMENDERAD HYDRAULOLJA

Vi rekommenderar följande hydrauloljor för användning i hydraulsystemet:

- SHELL Tellus 22
- MOBIL DTE 11

- ARAL Vitam GF 22
- BP Energol HLP-HM 22
- eller andra motsvarande oljor

VÄSSNING AV BLADET

När maskinen har använts under en längre tid, eller vid behov, kan du vässa bladet med en fintandad fil. Jämna sedan försiktigt till eventuella ojämna delar på skärytan.

FÖRVARING

Koppla bort vedklyvaren från elnätet.

Dra åt blödningskruven.

Rengör enheten med en torr trasa.

TEKNISET TIEDOT

Spänning	230V - 50 Hz
Motor	2 200 W S3 25%
Märkt tonnage	5 Ton
IP-klass	IP54
Maximal stocklängd	520mm
Minimal stockdiameter	50mm
Maximal stockdiameter	250 mm
Hydrauliskt tryck	20,6 Mpa
Oljekapacitet	3,5 L

FELSÖKNING

PROBLEM	ORSAK	ORSAK
Kan inte klyva stockar.	Stocken är felaktigt placerad.	Se avsnittet "Positionera stocken".
	Kilens skäregg är slö.	Se avsnittet "Vässa kilen".
	Oljeläckage.	Kontakta din återförsäljare.
	Obehörig justering har utförts på tryckbegränsningsventilen.	Kontakta din återförsäljare.
Vedklyven rör sig ryckigt.	För mycket luft i hydraulsystemet.	Kontrollera om oljenivån måste fyllas på. Kontakta din återförsäljare.
Oljeläckage runt cylinderkolven eller någon annan punkt.	Förseglad luft i hydraulsystemet under drift.	Lossa på avluftningskruven 3-4 varv innan vedklyven används.
	Avluftningskruven är inte åtdragen före vedklyven flyttats.	Dra åt avluftningskruven innan vedklyven flyttas.
	Oljeavtappningsbulten är inte åtdragen.	Dra åt oljeavtappningsbulten.
	Hydraulventilens montering och/eller tätning(ar) är slitna.	Kontakta din återförsäljare.

SYMBOLER

Typskylten på ditt verktyg kanske visar symboler. Dessa symboler visar viktig information om produkten eller användarinstruktioner.



Använd hörselskydd.
Använd ögonskydd.
Använd andningskydd.



Uppfyller relevanta säkerhetsstandarder.



Läs bruksanvisningen.



Använd skyddshandskar



Använd skyddsstövlar



Risk för kapning eller krossning av hand



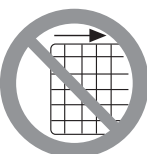
Var alltid uppmärksam på maskinens rörelser.



Skydda dina händer



Koppla från strömmen när maskinen inte används



Inspektera vedklyven före användning efter eventuella skador



Förbrukade elektriska produkter får inte kasseras tillsammans med hushållsavfall. Återvinn på en återvinningsstation. Kontrollera med din kommun eller återförsäljare för information om återvinning.



Produkten uppfyller RoHS-kraven.



Maskinen får endast användas av en person i taget. Håll besökare och barn på ett säkert avstånd från arbetsområdet när maskinen är i drift.



Skydda miljön

MILJÖSKYDD

Information (för privathushåll) om miljösäkert bortskaffande av avfall som utgörs av eller innehåller elektriska eller elektroniska produkter (WEEE).



Denna symbol på produkter eller medföljande dokument innebär att använd och konsumerad elektrisk och elektronisk utrustning inte får slängas bland de vanliga hushållssoporna. För korrekt bortskaffande, behandling, återställning och återvinning ska du lämna dessa produkter på särskilt avsedda uppsamlingsplatser där de tas omhand utan kostnad. I vissa länder kan ett alternativ vara att skicka tillbaks produkten till återförsäljaren mot köp av en liknande ny produkt. Korrekt bortskaffande av produkten innebär att viktiga resurser sparas och motverkar farliga konsekvenser för människor och miljön som annars kunnat uppstå på grund av felaktigt bortskaffande och hantering. Kontakta de lokala myndigheterna för mer information om

närmaste uppsamlingsplats. Det kan vara straffbart att bortskaffa produkten på annat sätt än utfäst enligt nationell lag.

FÖR FÖRETAGSANVÄNDARE INOM EU.

Om du vill bli av med elektrisk och elektronisk utrustning ska du kontakta din återförsäljare eller leverantör för ytterligare information.

Information om bortskaffande i andra länder utanför EU.

Denna symbol gäller endast inom EU.

Om du önskar att bli av med denna produkt ska du kontakta de lokala myndigheterna och fråga efter korrekt bortskaffning.

ELEKTRIANDMED

TÄHTIS

Sellel tootel on plombeeritud elektripistik, mis vastab seadmele ja teie riigi elektrivoolu süsteemile ning on kooskõlas rahvusvaheliste normatiivide nõudmistega.

Seade tuleb ühendada toitepingega, mis on võrdne tehnilises tabelis näidatuga. Kui pistik ja toitejuhe on rikutega, tuleb need asendada detailidega, mis on identsed originaalile.

Pidage alati kinni oma riigi määrustest elektrivõrku lülitamise kohta.

Juhul, kui Teil tekib kahtlusi, pöörduge kvalifitseeritud elektriku poole.

SISSEJUHATUS

Täname, et soetasite selle toote, mis on läbinud meie põhjaliku kvaliteedikontrolli. Oleme teinud kõik endast oleneva, et toode jõuaks teieni ideaalses seisukorras.

OHUTUS ON KÕIGE OLULISEM

Enne puulõhkumismasina kasutamist tutvuge allpool loetletud põhiliste ohutusnõuetega, mis aitavad vähendada tulekahju-, elektrilöögi- ja vigastuseohtu.

Selleks et mõista seadme talitlust, kasutuspiiranguid ja tööriistaga seonduvaid võimalikke ohtusid, lugege kasutusjuhend hoolikalt läbi.

TOOTE KÕRVALDAMINE KASUTUSEST

Kui toode on muutunud kasutuskõlbmatuks või kui see kõrvaldatakse kasutusest mingil muul põhjusel, ei tohi toodet ladustada tavaliste olmejäätmete hulka. Loodusressursside hoidmiseks ja negatiivse keskkonnamõju vähendamiseks võimaldage toote taaskasutamine või kõrvaldage see kasutusest keskkonnasäästlikul viisil. Viige toode kohalikku jäätmekäitluskeskusesse või mõnda muusse volitatud kogumis- või jäätmekäitluspunkti.

Kahtluste korral pöörduge kohaliku omavalitsuse poole, kust saate lisateavet taaskasutuse ja/või kasutusest kõrvaldamise erinevatest võimalustest

See elektritööriist on mõeldud ainult koduseks kasutamiseks. Elektritööriist ei ole ette nähtud ega sobi ärialaseks ega professionaalseks kasutamiseks.

Garantii ei kata elektritööriista defekte ja kahjustusi, mis on tekkinud selle kasutamisel muuks otstarbeks, kui kodune kasutamine, eriti läbisurumise ja väärkasutuse tõttu.

„Garantii kaotab kehtivuse, kui tööriista on kahjustatud mõne alljärgneva teguri tõttu:

- 1) toote väärkasutus või hoolimatus toote korraliku hooldamise suhtes;
- 2) toote ärialane, professionaalne või rendikasutus;
- 3) toote parandamine volitamata teenindustevõtte poolt;
- 4) väliste esemete või ainete tekitatud kahjustused.“

SPETSIAALSED OHUTUSJUHISED

Lugege kasutusjuhend hoolikalt läbi. Tehke endale selgeks nii seadme kasutamine kui piirangud, aga ka võimalikud seadmega seotud ohud.

Ärge kasutage halumasinat, kui olete narkootikumide, alkoholi või ravimite mõju all ja need võivad mõjutada teie võimet seadet kontrollida.

Ärge kunagi seiske seadme peal. Seiske alati kindlalt ja säilitage tasakaal. Ärge hoiustage esemeid halumasina kohal ega selle lähedal, et keegi ei roniks seadme peale, et neid kätte saada.

Ärge kunagi jätke seadet järelevalveta, kui see on ühendatud vooluvõrku (lülitati asendis „sees“). Pärast kasutamist veenduge, et seade ühendatakse vooluvõrgust lahti. Ärge kunagi lahkuge seadme juurest enne, kui olete veendunud selle täielikus peatumises.

Iga kord enne seadme kohandamist, liigutamist või hooldamist veenduge, et seade on täielikult vooluvõrgust eemaldatud.

Seadet võib kasutada ainult üks inimene korraga. Seadet võivad kasutada ainult vastutustundlikud täiskasvanud, kes on kasutusjuhendit lugenud ja selle sisust aru saanud.

Jälgige alati, et toitejuhe on korralikult kaitstud.

Jälgige alati, et enne seadme kasutamist kontrollitakse selle seisukorda korralikult. Jälgige, et seadet hooldatakse asjakohaselt.

Säilitage alati ohutu vahe oma käe ja palgi vahel ning palgi lükkaja ja lõhestuskiilu vahel.

Ärge proovige panna palki halumasinasse, kui pump liigub.

Hoidke käed eemal palki tekkivatest pragudest ja mõradest, sest need võivad järsult sulguda.

Ärge lükake palgi lõhestamise tera selle pealmisest osast. See võib põhjustada tera murdumise või ülekanderaami kahjustumise. Pange palk alati toe peale.

Ärge kunagi paluge kedagi appi kinnikiilunud palgi vabastamiseks.

Ärge kasutage elektrimootoriga varustatud seadet, kui õhus leidub gaasi, bensiiniaurusid või teisi tuleohtlikke aurusid.

Veenduge, et vooluvõrk on asjakohaselt kaitstud ja vastab seadme mootori nimivõimsusele, pingele ja sagedusele; kontrollige ka vooluvõrgu maandust ning seda, et see oleks ühendatud ülevooluklapiga.

Maandage halumasin. Vältige füüsilist kontakti maandatud esemetega (nt torud, radiaatorid, piirded, külmikud).

Seadme pistikupesasse ühendamisel või selle eemaldamisel vooluvõrgust jälgige, et teie sõrmed ei puutuks vastu pistiku metallotsi.

Kasutage vähemalt 2,5 mm² läbimõõduga juhet. Vältige isoleerimata või ebapiisavalt isoleeritud ühenduste kasutamist. Ühendus tuleb luua asjakohase välistingimustes kasutamiseks mõeldud pistikupesaga, kasutades selleks isoleeritud juhet. Liiga pika või liiga õhukese pikendusjuhtme kasutamine võib vähendada rakendatavat pinget, mis omakorda takistab mootori töötamist täisvõimsusel. Jälgige, et pikendusjuhe ei oleks pikem kui 10 meetrit.

OHUTUSNÕUANDED

Hoiatus! Ohutus- ja kaitsevarustust ei tohi rikkuda ega eemaldada!

Oht! Käte löikamise ja käe lõmastamise oht! Ärge kunagi puudutage ohtlikke alasid, kui halumasin töötab.

Hoiatus: pöörake alati tähelepanu halumasina liikumisele.

Hoiatus: ärge kunagi eemaldage kiilu külge kinnikiilunud palki käsitsi.

Hoiatus! Pinge vastavalt andmeplaadile (VIN-koodile).

HALUMASINA KASUTAMISEGA SEOTUD SPETSIAALSSED HOIATUSED

Selle suure võimsusega seadme kasutamine kujutab endast ohtu eriti ohtlike situatsioonide tekkimiseks. Hoidke ennast ja teisi!

HÜDRAULILISED SÜSTEEMID

Ärge kunagi kasutage seadet, kui hüdrauliline süsteem ei toimi korrektselt. Enne seadme kasutama hakkamist kontrollige, et hüdrauliline süsteem ei leki. Jälgige, et seade ja tööpiirkond on puhtad ja puuduvad õlilekked. Hüdrauliline vedelik võib põhjustada ohtlikke olukordi: te võite vedelikul libastuda ja kukkuda, teie käed võivad seadme kasutamisel libiseda ning vedelik võib tekitada tulekahju ohu.

ELEKTRILINE OHUTUS

Ärge kunagi kasutage seadet, kui elektriühendused ei toimi korrektselt. Ärge kunagi kasutage elektrilisi ühendusi niisketes tingimustes. Ärge kunagi kasutage seadet, kui see on ühendatud ohtliku elektrijuhtme või pikendusjuhtmega. Ärge kunagi kasutage seadet, kui see ei ole ühendatud korrektselt maandatud pistiku abil, mille pinge vastab seadme näitajatele ja mis on kaitstud 10 A kaitsmega.

OHT TERVISELE

Palkide lõhestamine võib tekitada olukordi, mis on tervisele eriti ohtlikud. Ärge kunagi kasutage seadet nii, et te ei kasuta asjakohaseid kaitsekindaid (mis ei juhi elektrit), tugevdatud ninadega mittelibisevaid jalanõusid ja heakskiidetud silmakaitsevahendeid. Pidage meeles, et palkide lõhestamisel tekivad pilpad,

mis võivad vigastusi tekitada ja seadmesse kinni kiiluda. Kasutage juuste kaitsmise vahendit, et teie juuksed ei satuks seadme lähedusse ega jääks seadme osade vahele kinni.

Ärge kandke avaraid riideid, lipse ega ehteid (sõrmuseid, kelli jne). Need võivad seadme liikuvate osade vahele kinni jääda.

Ärge kunagi proovige lõhestada palke, mis on seadme jaoks liiga suured või väikesed.

Ärge kunagi proovige lõhestada palke, milles on naelu, terastraati või teisi osiseid, mis võivad seadet kahjustada.

Koristage ka töötamise ajal: kogunenud puidutükid ja pilpad võivad tekitada ohtliku töökeskkonna.

Ärge kunagi jätkake tööd materjali täis töökeskkonnas, sest te võite seetõttu libiseda, komistada või kukkuda. Jälgige, et kõrvalised isikud viibiks seadmest kaugemal; ärge kunagi lubage kõrvalistel isikutel seadet kasutada. Kõrvalised isikud (inimesed ja loomad) peavad jääma seadmest vähemalt 5 meetri kaugusele.

Veenduge, et tööpiirkond on korralikult valgustatud.

ETTEVAATUST! Mitte ükski hoiatuste nimekirja ei ole täielik. Kasutaja peab rakendama tervet mõistust ja kasutama seadet ohutult.

Enne töö alustamist tuleb teostada elementaarsed tööohutusega seotud protseduurid.

HALUMASINA OMADUSED

Liikuvad, kerged sisseehitatud rattad muudavad selle lihtsasti liigutatavaks ja transporditavaks.

Jõud. Seadme 4-tonnine jõud lõhestab puitu kiiresti.

Töötab elektrivoolu peal. Seadme mugav ja usaldusväärne elektritoitega hüdrauliline süsteem aitab vältida väikese kütusel töötava mootori hooldamisega seotud ebamugavusi ja kulusid. Lihtsalt ühendage seade toiteallikaga ja hakake palke lõhestama.

Hüdrauliline pump. Efektiivne hüdrauliline pump aitab lõhestada palke ohutul ja kontrollitud viisil, ilma kirveid, sepavasaraid või kiile kasutamata.

Kahe käega käsitletav juhtseadised. Sisseehitatud juhtmuster hoiab teie käed seadme kasutamise ajal palgist ja seadmest eemal.

HALUMASINA SPETSIAALSSED OHUTUSJUHISED

Enne seadme käivitamist kontrollige ülekoormuskaitse ja kaitseplaadi seisukorda.

Enne seadme käivitamist veenduge, et seadmest ei leki õli ja hüdraulilise õli tase ulatub õlivarda soonteni.

Enne seadme käivitamist kontrollige halumasina seisukorda. Jälgige, et kaitsevarustus on paigas ja toimib korrektselt. Looge endale harjumus kontrollida, et kõik tööriistad on enne seadme käivitamist tööpiirkonnast eemaldatud.

Enne seadme kasutamist vahetage välja (või asendage) kõik kahjustunud, puuduolevad ja/või tarnitud osised.

Käivitage seade ilma koormuseta ja kontrollige, et see toimib korrektselt.

Pidage meeles, et teatud tüüpi palkide (nt. kühmlike või korrapäratute palkide) lõhestamisel eksisteerivad ka teistsugused võimalikud ohud.

Pidage meeles, et kui elektrisüsteemile ei ole paigaldatud vähemalt 0,03 A rikkevoolukatkestit, siis tuleb alati kasutada teisaldatavat rikkevoolukatkestit.

Ärge kunagi lõhestage palke, mille läbimõõt on suurem kui seadme kasutusjuhendis ette nähtud. Ärge kunagi proovige lõhestada palke, milles on selliseid osiseid nagu naelad või terastraat, mis võivad ohustada seadme tööd.

Palgi alumine pind peab olema lõigatud tasaselt ja palgi küljes ei tohi olla oksid. Palki tuleb alati lõhestada piki puusüüd. Ärge kunagi pange palki halumasinale vertikaalses asendis.

Seadme juhtimisel peab kasutaja alati kaht kätt rakendama. Juhtseadiseid ei tohi kasutada teistmoodi.

Paigaldage seade horisontaalsele ja stabiilsele toetuspinna, mille kõrgus on 72-85 cm. Veenduge, et seadme ümber jääb piisavalt liikumisruumi. Veenduge, et toetuspinna ümber ei ole esemeid, mis võiksid seadme vaba liikumist takistada. Selleks soovitate kasutada halumasina alusraami. Ärge kunagi kasutage seadet maas. Kui halumasin liigub oma kohalt, siis kinnitage see tööaluse külge.

Oht! Ärge kunagi lõhestage kahte palki korraga.

Oht! Ärge kunagi sisestage järgmist palki ega vahetage palki, kui seade töötab.

Oht! Ärge kunagi rikkuge halumasina kaitseseadiseid ega kasutage seadet ilma kaitseseadisteta.

Hoiatus! Kui proovite lõhestada eriti kõva puitu, siis ärge lükake palki halumasinasse jõuga rohkem kui viie sekundi jooksul. Selle perioodi järel võib õli üle kuumeneda. Muutke eriti kõva palgi asendit 90° ja proovige, kas see lõhestub teises suunas. Kui palki ei õnnestu lõhestada, siis järelkult ületab puidu kõvadus seadme võimekuse.

Keelatud! Ärge kunagi avage jaotuskarpi või elektrimootori katet. Vajadusel võtke ühendust kvalifitseeritud elektrikuga.

Hoiatus! Jälgige, et seade ja elektrijuhe oleksid veest eemal. Käsitsege elektrijuhet hoolikalt.

Ärge kunagi tõmmake ega rebige elektrijuhet. Hoidke elektrijuhe eemal kõrgetest temperatuuridest, õlist ja teravatest esemetest.

Enne halumasina sisselülitamist kontrollige seda. Jälgige, et kaitsed on paigas ja töökorras. Looge endale harjumus veenduda, et reguleerimise võtmed ja

mutrivõtmed on alati enne seadme sisselülitamist tööriistade alalt eemaldatud. Enne seadme kasutamist vahetage välja (või asendage) kõik kahjustunud, puuduolevad või katkised osad.

SEADME OSAD JA NUPUD (Joon. 1)

1.	Kaitsepiire
2.	Kiil
3.	Palgi alus
4.	Tõstekäepide
5.	Palki hoidvad plaadid
6.	Lüliti
7.	Nupustik
8.	Ratas
9.	Väljalaskekruvi
10.	Õli väljalaske polt koos õlivardaga
11.	Töölaud
12.	Palgi tõukur
13.	Juhthoova kaitse
14.	Hüdrauliline juhthoob
15.	Mootor
16.	Ülerõhu kaitsekruvi
17.	Tugijalg

LAHTIPAKKIMINE

Ettevaatust! Selles pakendis on teravaid esemeid. Lahtipakkimisel olge ettevaatlik. Võtke seade koos kaasasolevate tarvikutega pakendist välja. Kontrollige hoolikalt, et seade oleks heas töökorras ja kõik käesolevas juhendis loetletud komponendid oleksid olemas.

Samuti veenduge, et kõik tarvikud on terviklikud. Kui tuvastate, et mõni seadme osa on puudu, tuleks seade koos tarvikutega originaalpakendisse panna ja edasimüüjale tagastada.

Ärge visake pakendit ära ja hoidke seda garantiiperioodi jooksul kindlas kohas. Seejärel viige võimalusel taaskasutuspunkti või rakendage asjakohaseid jäätmekäitlusmeetmeid. Ärge lubage lastel tühjade kilekottidega mängida - lämbumisoh!

PAKENDI SISU (Joon. 2)

1.	Halumasina raam
2.	Transpordikäepide
3.	Kaldtugi 1 (x 2)
4.	Kaldtugi 2
5.	Kasutusjuhend
6.	Alumine kaitseplaat
7.	Palgi alus 1
8.	Palgi alus 2
9.	Pealmine kaitseplaat 1
10.	Pealmine kaitseplaat 2
11.	Tagumine kaitseplaat 1
12.	Tagumine kaitseplaat 2
13.	Eesmine kaitseplaat
14.	Vasak kaitseplaat
15.	Plaatide ühendusosa (x 2)
16.	Rauakauba kott, kaasa arvatud mutrid ja poldid

KOKKUPANEK

HOIATUS! Eemaldage tööriist alati vooluvõrgust enne seadme osade lisamist, kohanduste tegemist, puhastamist, hooldamist või kui tööriist ei ole kasutuses. Tööriista lahtiühendamine hoiab ära juhusliku käivitumise, mis võib põhjustada tõsiseid vigastusi.

TÕSTEKÄEPIDEME PAIGALDAMINE (Joon. 3)

Paigaldage tõstekäepide U-klambri külge kahe M6x16 poldi abil.

PALGI ALUSE PAIGALDAMINE

Paigaldage alumine kaitseplaat tagumisele juhtplaadile ja kinnitage see kahe M6x12 pesapeakruvi ning lukustusmutri abil, joon. 4 (1).

Vabastage pesapeakruvi ja suur seib rattaklambri, paigaldage kaldtoe 2 vaba ots suure seibi ja rattaklambri vahele ning keerake kruvi kinni.

Ühendage kaldtoe 2 ülemine ots alumise kaitseplaadiga ristpeakruvi M6x12 ja lukustusmutri M6 abil ja seejärel keerake see kinni, joon. 4 (2).

Joondage palgi aluse 1 kaks paigaldusava halumasina tagumisel osal asuvate avadega. Sisestage üks M6x12 pesapeakruvi ja vedruseib 6 vasakpoolsesse paigaldusavasse ja teine pesapeakruvi M6x12 ja lukustusmutter M6 parempoolsesse ning keerake mõlemad korralikult kinni, joon. 5 (1).

Keerake eesmise jala vasakul küljel olevad kumerpeapolt ja mutter lahti, pange kaldtoe 1 avatud ots poldile ja seejärel keerake mutter kinni.

Ühendage kaldtoe 1 ülemine ots palgi alusega 1 ristpeakruvi M6x12 ja lukustusmutri M6 abil ja seejärel keerake see kinni, joon. 5 (2).

Joondage palgi aluse 2 kaks paigaldusava halumasina eesmisel osal asuvate avadega. Sisestage üks M6x12 pesapeakruvi ja vedruseib 6 parempoolsesse paigaldusavasse ja teine pesapeakruvi M6x12 ja lukustusmutter M6 vasakpoolsesse ning keerake mõlemad korralikult kinni, joon. 6 (1).

Keerake eesmise jala paremal küljel olevad kumerpeapolt ja mutter lahti, pange kaldtoe 1 avatud ots poldile ja seejärel keerake mutter kinni.

Ühendage kaldtoe 1 ülemine ots palgi alusega 2 ristpeakruvi M6x12 ja lukustusmutri M6 abil ja seejärel keerake see kinni, joon. 6 (2).

Ühendage palgi alus 1 ja palgi alus 2 kahe M6x12 kruvi ja lukustusmutri abil, joon. 7.

TRAADIST KAITSEPIIRDE KOKKUPANEK JA PAIGALDAMINE

Kinnitage eesmine kaitseplaat, vasak kaitseplaat ja kaks tagumist kaitseplaati palgi alusele ja alumisele plaadile M6x16 poltide ja mutrite abil, joon. 8.

Kinnitage kaks pealmist kaitseplaati vertikaalsetele plaatidele M5x16 poltide ja mutrite abil.

Ühendage kaks pealmist kaitseplaati / tagumised kaitseplaadid plaatide ühendusosade ja M5x16 poltide ja mutrite abil, joon. 9.

VÄLJALASKEKRUVI

HOIATUS! Enne halumasina kasutamist tuleb väljalaskekruvi mõne keeru võrra lahti keerata, et õhk saaks sujuvalt õlipaaki ja sealt välja liikuda.

Õhuvool väljalaskekruvi kaudu peaks olema tuvastatav siis, kui halumasin töötab.

Enne halumasina liigutamist veenduge, et väljalaskekruvi on kinni keeratud, et vältida õli lekkimist selle kaudu.

Väljalaskekruvi lahti keeramata jätmise tulemusel surutakse õhk hüdraulilises süsteemis kokku ja seejärel jälle vabastatakse rõhu alt. Pidev õhu kokku surumine ja rõhu alt vabastamine rikub hüdraulilise süsteemi tihendid ning võib halumasinat püsivalt kahjustada.

ÜLERÕHU KAITSEKRUVI, JOON. 1 (16)

HOIATUS! Ärge reguleerige ülerõhu kaitsekruvi. Maksimaalse rõhu tase on seadistatud kvalifitseeritud mehaaniku poolt, kellel on professionaalsed instrumendid tagamaks, et halumasin töötab kuni 4-tonnise rõhu juures.

Selle volitamata seadistamine põhjustab hüdraulilise pumba tõrke ja võib tekitada raskeid vigastusi, aga ka seadme kahjustumist.

HALUMASINA TRANSPORTIMINE

Enne seadme liigutamist või transportimist ühendage toitejuhe vooluallikast lahti; oodake, kuni seade on töötamise täielikult lõpetanud, laske seadmel maha jahtuda, kerige toitejuhe kokku ja kinnitage see seadme külge.

ETTEVAATUST! ENNE HALUMASINA LIIGUTAMIST VEENDUGE, ET VÄLJALASKEKRUVI ON KINNI KEERATUD, ET VÄLTIDA ÖLI LEKKIMIST.

Kui soovite liigutada halumasinat lühikese vahemaa taha, siis tõstke eesmist käepidet nii, et seadme esiots tõuseb õhku ja rattad puutuvad vastu maad. Seejärel lükake või tõmmake seadet, liikudes kas taha- või ettepoole. Pöörake tähelepanu ebatasastele ja/või libedatele pindadele.

HOIATUS! Ärge transportige halumasinat nii, et puit on selle peal.

TRANSPORT KAUGEMALE

Pärast seadme sõidukile tõstmist kinnitage halumasin kohtadest, kus on transpordimarkeeringud - nii väldite halumasina paigallikumist, joon. 10.

Kraana kasutamisel paigutage tõsterihm tõstepunkti. Ärge kunagi proovige tõsta halumasinat käepidemest.

SEADME KASUTAMINE

KASUTUSTINGIMUSED

See halumasin on mõeldud kasutamiseks kodumajapidamistes. See on ette nähtud kasutamiseks ümbritseva keskkonna temperatuuri vahemikus +5°C kuni 40°C ning paigaldamiseks kõrgustel kuni 1000 m üle keskmise merepinna. Ümbritseva keskkonna niiskustase võib olla 40°C juures kuni 50%. Seadet võib hoiustada või transportida ümbritseva keskkonna temperatuuri vahemikus -25°C kuni 55°C.

Enne halumasina kasutamist paigaldage see 72-85 cm kõrgusele, stabiilsele, tasasele ja lamedale tööpingile. Kinnitage tugijalg kahe M8x35 (A) poldi abil kõva aluspinna külge, joon. 11.

See halumasin on mõeldud kasutamiseks ainult ühele inimesele korraga ja operaator peab seadme juhtimiseks kahte kätt kasutama. Vasaku käega juhitakse hüdraulilist juhthooba ja parema käega juhitakse nuppe, joon. 12. Kui emb-kumb käsi laseb juhthoovast lahti, siis halumasin seiskub. Alles pärast mõlema käe lahtilaskmist hakkab palgi tõukur algasendisse naasma, joon. 13.

Päästiksüsteemi tüüpi lukustusseadist on rakendatud selleks, et vältida hüdraulilise juhthoova juhulikku vajutamist. Hüdraulilise juhthoova kasutamiseks tõmmake päästikut nimetissõrme abil tagasi ja seejärel liigutage hüdraulilist juhthooba ettepoole.

MÄRKUS! Pärast palgi lõhestamise alustamist ei tohi mitte kunagi kätt lõhestamise alasse panna!

HOIATUS! ERITI KÕVA PUIDU LÕHESTAMISEL ÄRGE LÜKAKE PALKI HALUMASINASSE JÕUGA ROHKEM KUI 5 SEKUNDI JOOKSUL. SELLE PERIOODI JÄREL HAKKAB ÖLI RÕHU ALL ÜLE KUUMENEMA JA SEADE VÕIB KAHJUSTUDA.

Eriti kõva palgi puhul muutke selle asendit 90° ja proovige, kas seda saab lõhestada teises suunas. Igal juhul, kui palki ei ole ikka võimalik lõhestada, siis tähendab see seda, et puidu vastupidavus ületab seadme võimekuse ja halumasina kaitsmiseks tuleb see palk kõrvale jätta.

Seadke alati palgid neid hoidvatele plaatidele ja töölauale kindlalt. Veenduge, et need ei saa lõhestamise ajal keerduda, kõikuda ega libiseda. Ärge rakendage terale jõudu, lõhestades palki ülemise osaga. See põhjustab tera murdumise või seadme kahjustumise, joon. 14.

Lõhestage palke piki puusüüd. Ärge proovige lõhestada palki ristipidi. See on ohtlik ja võib seadet tõsiselt kahjustada.

Ärge proovige lõhestada kahte palki korraga. Üks neist võib eemale paiskuda ja teile peale lennata.

OHT! HOIDKE KÄED TÖÖTAMISE AJAL EEMAL NII LÕHESTUSALALT, ELEKTRIVOOLU ALL OLEVALT ALALT KUI KUUMALT ALALT, JOON. 15.

KINNIKIILUNUD PALGI VABASTAMINE

Vabastage mõlemad juhthoovad.

Halumasin liigub tagasi ja peatub algasendis.

Lükake kinnikiilunud palgi alla puidust kiil, joon. 16.

Käivitage halumasin, et puidust kiil hakkaks kinnikiilunud palgi alla liikuma, joon. 17.

Korrake ülaltoodud protseduuri järjest teravama nurga all olevate kiiludega, kuni palk on täiesti vaba.

Ettevaatust! Ärge proovige kinnikiilunud palki halumasinalt maha lüüa - see võib kahjustada seadet või põhjustada palgi õhku paiskumise ja õnnetuse, joon. 18.

HOOLDUS

Hoiatus! Enne puhastus- ja hooldusprotseduuride alustamist veenduge, et halumasin on välja lülitatud ja vooluvõrgust eemaldatud.

HÜDRAULILISE ÖLI VAHETAMINE

Vahetage halumasina hüdraulilist õli iga 150 töötunni järel. Õli vahetamiseks järgige järgmisi juhiseid.

Veenduge, et halumasin on naasnud algasendisse ja seade on täielikult vooluvõrgust eemaldatud.

Keerake väljalaskekruvi kolme või nelja keeru võrra lahti.

Keerake õli väljalaske polt koos õlivardaga lahti ja eemaldage see, joon. 19.

Pange halumasina alla anum, mis mahutab vähemalt 4 liitrit õli. Kallutage halumasinat ja laske õil anumasse voolata, joon. 20.

Kallutage halumasinat teisele poole nii, et õli vahetamise ava on suunatud ülespoole. Valage hüdrauliline õli paaki puhta leetri abil, joon. 21. Valage paaki andmete tabelis esitatud kogus õli.

Puhastage õlivarda pinda õli väljalaske poldil ning pange see õlipaaki tagasi, hoides halumasinat vertikaalselt.

Veenduge, et õli koguse tase jääb õlivarda 2 soone vahele, joon. 22.

Vajadusel lisage õli.

Puhastage paagi kaela ja korgi/õlivarda seibi/tihendit põhjalikult ning pange need tagasi, keerake need kinni piisavalt, et õli ei lekiks, kuid ÄRGE neid üleliigselt kinni keerake.

Seadke seade ettevaatlikult tavapärasesse tööasendisse tagasi.

Lõpetuseks keerake väljalaskekrugi kinni.

HÜDRAULILISE ÕLI KOGUS

- 3,7 liitrit

SOOVITUSLIK HÜDRAULILINE ÕLI

Hüdraulilises süsteemis soovitame kasutada järgnevaid hüdraulilisi õlisid:

- SHELL Tellus 22
- MOBIL DTE 11
- ARAL Vitam GF 22

- BP Energol HLP-HM 22
- või teised samaväärsed õlid

KIILU TERITAMINE

Kui seadet on pikka aega kasutatud või kui tekib vajadus, siis teritage kiilu väikesehambalise viiliga ning seejärel siluge mistahes võimalikud ebatasasused löikepinnal.

HOIUSTAMINE

Eemaldage halumasin vooluvõrgust.

Keerake väljalaskekrugi kinni.

Puhastage seadet kuiva lapiga.

TEHNILISED ANDMED

Pinge	230 V – 50 Hz
Mootor	2200 W S3 25%
Nimikandejõud	5 tonni
IP kaitseklass	IP54
Palgi maksimaalne pikkus	520 mm
Palgi minimaalne läbimõõt	50 mm
Palgi maksimaalne läbimõõt	250 mm
Hüdrauliline rõhk	20,6 Mpa
Õli kogus	3,5 L

TÕRKEOTSING

PROBLEEM	PÕHJUS	LAHENDUS
Seade ei lõhesta palke.	Palk on vales asendis.	Lugege jaotist „Seadme kasutamine“.
	Kiilu löikeserv on nüri.	Lugege jaotist „Kiilu teritamine“.
	Palgi suurus või kõvadus ületavad seadme võimekuse.	Vähendage palkide suurst enne kui neid puulõhkumismasinal lõhestada proovite.
	Õli lekib.	Võtke ühendust edasimüüjaga.
Puulõhkumismasin liigub katkendlikult.	Ülerõhu kaitsekrugi on volitamata reguleeritud.	Võtke ühendust edasimüüjaga.
	Hüdraulilist õli on liiga vähe või hüdraulilises süsteemis on liiga palju õhku.	Kontrollige õlitaset - kas tuleb õli lisada? Võtke ühendust edasimüüjaga
Õli lekib silindri kolvist või mujalt.	Õhk on seadme kasutamisel hüdraulilisse süsteemi jäänud.	Enne puulõhkumismasina kasutamist keerake väljalaskekrugi 3-4 keerdu lahti.
	Väljalaskekrugi ei keeratud enne puulõhkumismasina liigutamist kinni.	Enne puulõhkumismasina liigutamist keerake väljalaskekrugi kinni.
	Õli väljalaske polt ei ole korralikult kinni.	Keerake õli väljalaske polt kinni.
	Hüdraulilise juhtklapi koost ja/või tihendid on kulunud	Võtke ühendust edasimüüjaga.

SÜMBOLID

Tööriista andmesildil võidakse kujutada sümboleid. Need sümبولid tähistavad olulist teavet toote või selle kasutamise kohta.



Kandke kuulmiskaitset.
Kandke kaitseprille.
Kandke hingamisteede kaitset.



Vastab asjakohastele ohutust puudutavatele standarditele.



Lugege kasutusjuhendit.



Kandke kaitsekindaid



Kandke kaitseasaapid



Kätte lõikamise või käe lõmastamise oht



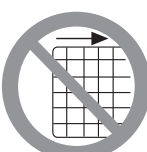
Pöörake alati tähelepanu seadme liikumisele



Kaitske oma käsi



Kui seadet ei kasutata, eemaldage see vooluvõrgust



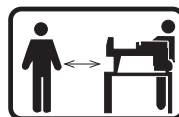
Enne halumasina kasutamist kontrollige, et see ei oleks kahjustunud



Elektriseadmete jäätmeid ei tohi visata olmejäätmete hulka. Vastava võimaluse olemasolul taastödelge. Taastöötlemise kohta saate teavet kohalikelt ametnikelt või jaemüüjalt.



Toode vastab RoHS-direktiivi nõuetele



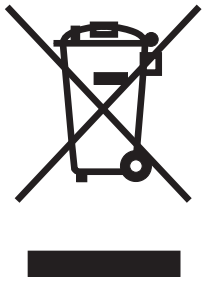
Seadet võib kasutada ainult üks inimene. Veenduge, et külalised ja lapsed (kõrvalised isikud) on seadmega töötamise ajal tööpiirkonnast ohutus kauguses.



Kaitske keskkonda

KESKKONNAKAITSE

Teave (seadme koduses majapidamises kasutajatele) elektri- ja elektroonikaseadmete jäätmete keskkonnasäästlikuks kasutusest kõrvaldamiseks (WEEE)



Kui toodetel ja/või kaasasolevatel dokumentidel on see sümbol, siis ei tohi kasutuskõlbatuks muutunud elektri- ja elektroonikaseadmeid ladustada olmeprügi hulka. Toote nõuetekohaseks kasutusest kõrvaldamiseks, töötlemiseks, taastamiseks ja taaskasutamiseks viige toode vastavasse jäätmekogumispunkti. See teenus on tasuta. Mõnedes riikides on võimalus viia toode tagasi edasimüüjale tingimusel, et ostate sealt sarnast uue toote. Selle toote keskkonnasäästlik kasutusest kõrvaldamine aitab säästa väärtuslikke ressursse ja ennetada võimalikku negatiivset mõju inimtervisele ja keskkonnale, mida võib põhjustada jäätmete väär kahjutustamine ja käitlemine. Täpsema teabe lähimast jäätmekogumiskeskusest saate kohalikult omavalitsuselt. Riiklike eeskirjade eiramisel selliste jäätmete kahjutustamisel võidakse karistada trahviga.

ETTEVÕTETELE EUROOPA LIIDUS

Elektri- ja elektroonikaseadmete kasutuselt kõrvaldamisel pöörduge lisateabe saamiseks edasimüüja või tarnija poole.

Teave kasutusest kõrvaldamise kohta teistes riikides väljaspool Euroopa Liitu.

See sümbol kehtib ainult Euroopa Liidus.

Kui soovite seda toodet kasutusest kõrvaldada, pöörduge kohaliku omavalitsuse või edasimüüja poole ja küsige teavet kasutusest kõrvaldamise õigete meetodite kohta.

ELEKTRĪBAS DATI

SVARĪGI

Šim ražojumam ir elektriskā plombēta kontaktdakšiņa, kas piemērota ierīcei jūsu valsts barošanas strāvai, un atbilst starptautiskām normatīvām prasībām.

Šim instrumentam jābūt pieslēgtam pie barošanas sprieguma, kurš atbilst norādītajam uz tehniskas tabulas. Ja kontaktdakšiņa vai barošanas vads ir bojāti obligāti jānomaina detaļas, kas ir indentiskas oriģinālām detaļām.

Vienmēr ievērojiet savas valsts lēmumus par pieslēgšanas pie elektrības barošanas tīkla. Tādā gadījumā, kad šaubāties, vienmēr griezieties pie kvalificēta elektriķa.

IEVADS

Paldies, ka iegādājāties šo produktu, kas ir izgājis mūsu daudzpusīgo kvalitātes apliecinājuma procesu. Mēs parūpējamies, lai nodrošinātu to, ka saņemat instrumentu ideālā stāvoklī.

DROŠĪBAS PASĀKUMI

Pirms šī instrumenta lietošanas vienmēr ir jāievēro turpmāk minētie vispārīgie drošības pasākumi, lai samazinātu ugunsgrēka, elektrošoka un miesas bojājumu risku. Lai saprastu lietošanu, ierobežojumus un iespējamo ar šo instrumentu saistīto bīstamību, svarīgi izlasīt lietošanas instrukciju.

GARANTIJAS SERTIFIKĀTS

Šā produkta garantija darbojas divus gadus, stājas spēkā no iegādāšanās datuma un attiecas tikai uz sākotnējo pircēju. Šī garantija attiecas tikai uz defektiem, kas radušies bojātu materiālu vai apdares dēļ un kas atklāti tikai garantijas periodā; neiekļauj patēriņa produktus. Izgatavotājs saremontēs vai mainīs produktu pēc saviem ieskatiem saskaņā ar turpmāk minēto. Produkts ir jāizmanto atbilstoši instrukcijām, un to nedrīkst nepareizi ekspluatēt vai izmantot neparedzētiem nolūkiem. To nedrīkst izjaukt vai kā citādi pārveidot, apkopi nedrīkst veikt nesertificētas personas un to nedrīkst iznomāt. Pārvadāšanas bojājumi nav iekļauti šajā garantijā, jo par tiem ir atbildīgs transportēšanas uzņēmums. Prasības attiecībā uz šo garantiju vispirms garantijas perioda ietvaros ir jāveic tieši pie mazumtirgotāja. Produkts ir jānogādā atpakaļ pie izgatavotāja tikai izņēmumu gadījumos. Šādā gadījumā klienta pienākums ir nogādāt produktu atpakaļ par saviem līdzekļiem, nodrošinot, ka produkts ir atbilstoši iepakots, lai novērstu pārvadājumu bojājumus, un tiek pievienots īss bojājuma apraksts un kvīts kopija vai cits iegādāšanās pierādījums. Izgatavotājs saskaņā ar šo garantiju nav atbildīgs par jebkādiem specifiskiem, tipveida, tiešiem, netiešiem, nejaušiem vai izrietošiem zudumiem vai bojājumiem.

Šis elektriskais instruments ir paredzēts tikai lietošanai sadzīvē. Šis elektriskais instruments nav piemērots un paredzēts komerciālai un profesionālai izmantošanai.

Garantija nesedz elektrisko instrumentu korpusa defektus un bojājumus, kuri radušies, izmantojot instrumentu no sadzīves lietošanas atšķirīgiem nolūkiem, īpaši, ja uz to izdarīts spiediens vai instruments lietots nepareizi.

“Garantija zaudē spēku, ja instrumenta bojājumi radušies turpmāk minēto apstākļu dēļ:

1. Nepareiza produkta lietošana vai nolaidīgi veikta tehniskā apkope.
2. Produkts izmantots komerciāliem, profesionāliem vai nomas nolūkiem.
3. Produkta remontdarbus ir veicis nepilnvarots apkopes uzņēmums.
4. Bojājumi ir radušies ārēju objektu vai vielu dēļ.”

ĪPAŠIE DROŠĪBAS NORĀDĪJUMI

Rūpīgi izlasiet lietošanas instrukciju. Noskaidrojiet, kāds ir iekārtas pielietojums un lietošanas ierobežojums, kā arī iespējamie draudi, ko var radīt iekārta.

Nelietojiet baļķu sadalītāju, ja atrodaties apreibinošu vielu, alkohola vai medikamentu ietekmē, kas ietekmē jūsu spēju strādāt ar iekārta.

Nekad nestāviet uz iekārtas. Vienmēr ieņemiet stabilu stāju un saglabāiet līdzsvaru. Neuzglabāiet zem baļķu skaldītāja vai tā tuvumā produktus, lai neviens pēc tiem nedotos pakāļ.

Nekad neatstājiet barošanas avotam pievienotu iekārta bez uzraudzības (slēdzis atrodas pozīcijā „ON” (=ieslēgta iekārta)). Pēc lietošanas atvienojiet iekārta no barošanas avota. Nekad neatstājiet iekārta, pirms neesat pārliecinājies, ka tā ir pilnībā apstājusies.

Pirms iekārtai veicat regulēšanas un apkopes darbus vai pārvedat uz citu vietu, tai jābūt pilnībā atvienotai no barošanas avota.

Šo iekārta drīkst lietot tikai viena persona vienlaikus. Šo iekārta drīkst izmantot tikai pieaugušie, kas ir izlasījuši lietošanas instrukciju un izpratuši tās saturu.

Barošanas vadam ir vienmēr jābūt pilnībā izolētam.

Vienmēr pirms lietošanas iekārta ir jāpārbauda, lai konstatētu, vai tai nav radies kāds bojājums. Iekārtai apkope jāveic pareizi.

Vienmēr turiet rokas drošā attālumā no baļķa, kā arī starp baļķa stūmēju un skaldķīli.

Nelieciet iekārtā nākamo baļķi, kamēr pārvietošanas sūknis.

Turiet plaukstas drošā attālumā no plaisām un lūzuma vietām, kas paveras baļķī; tās var pēkšņi saspiesties kopā.

Nespiediet asmens augšējo daļu ar spēku, lai tas sadalītu baļķi. Šādi var tikt salauzts asmens vai sabojāts iekārtas rāmis. Vienmēr novietojiet baļķi uz atbalsta.

Nekad neizmantojiet citus cilvēkus, lai palīdzētu jums atbrīvot iestrēgušu baļķi.

Neizmantojiet ar elektromotoru aprīkotu iekārtu vidē, kur gaiss satur gāzes vai benzīna tvaikus vai citus viegli uzliesmojošus izgarojumus.

Barošanas avotam jābūt atbilstoši izolētam un jāatbilst nominālās jaudas vērtībai, kā arī spriegumam un frekvencei; tāpat pārbaudiet, vai barošanas avots ir iezemēts un vai tas ir savienots ar diferenciāla bloķēšanas slēdzi.

Iezemējiet baļķu skaldītāju. Nepieskarieties iezemētiem objektiem, piemēram, caurulēm, radiatoriem un ledusskapju korpusiem.

Uzmanieties, lai pirksti nepieskartos pie elektrotīkla spraudņa metāla gala, kad iespraužat spraudni kontaktligzdā vai arī atvienojat to no elektrības kontaktligzdas.

Izmantojiet kabeli, kura diametrs ir vismaz 2,5 mm². Neizmantojiet kabeļus bez izolācijas vai kuru savienojumvieta nav pietiekami labi izolētas. Savienojumam jābūt piemērotam izmantošanai ārpus telpām, un jāizmanto izolēts kabelis. Pārāk garu vai pārāk plānu pagarinātājvadu izmantošana var samazināt spriegumu, kas neļauj motoram strādāt ar pilnu jaudu. Pagarinātājvads nedrīkst būt garāks par 10 metriem.

DROŠĪBAS APSVĒRUMI

Brīdinājums! Nedrīkst pārveidot vai noņemt aizsardzības un drošības aprīkojumu.

Bīstami! Roku sagriešanas un saspiešanas risks; nekad nepieskarieties bīstamajām zonām ieslēgta baļķu skaldītāja laikā.

Brīdinājums! Nekad nenovērsiet uzmanību no baļķu skaldītāja kustības.

Brīdinājums! Nekad nemēģiniet atbrīvot ķīli iestrēgušu bluķi ar rokām.

Brīdinājums! Spriegumam jāsakrīt ar datu plāksnītē norādīto sprieguma vērtību.

ĪPAŠI BRĪDINĀJUMI ATTIECĪBĀ UZ BAĻĶU SKALDĪTĀJA LIETOŠANU

Šīs lieljaudas iekārtas izmantošana var radīt ļoti bīstamas situācijas. Parūpējieties par savu un citu drošību.

HIDRAULISKĀS SISTĒMAS

Nekad nelietojiet šo iekārtu, ja tās hidrauliskā sistēma nav drošā stāvoklī. Pirms sākat lietot iekārtu, pārbaudiet, vai hidrauliskajā sistēmā nav radusies noplūde. Iekārtai un darba zonai ir jābūt tīrām, un tajās nedrīkst būt nopilējusi eļļa. Hidrauliskais šķidrums var radīt bīstamas situācijas; uz slidenas virsmas var

paslīdēt un nokrist; tāpat iekārtas lietošanas laikā var slīdēt rokas, vai šķidrums var izraisīt ugunsgrēka draudus.

ELEKTRODROŠĪBA

Nekad nelietojiet šo iekārtu, ja tās elektriskā sistēma nav drošā stāvoklī. Nekad nelietojiet elektrisko aprīkojumu mitros apstākļos. Nekad nelietojiet šo iekārtu, ja tā ir pieslēgta bīstamam elektriskajam kabelim vai pagarinātājam. Nekādā gadījumā nelietojiet šo iekārtu, ja tā nav stingri savienota ar iezemētu elektrisko kontaktdakšu, kuras spriegums atbilst iekārtas spriegumam un kas ir aizsargāts ar 10 A drošinātāju.

FIZISKĀS VESELĪBAS APDRAUDĒJUMS

Baļķu skaldītājs var radīt situācijas, kas var izraisīt fiziska rakstura kaitējumu. Nekad nelietojiet šo iekārtu bez atbilstošiem aizsargcimdkiem (kas nevada elektrību), neslīdošas zoles zābakiem ar pastiprinātu purngalu un apstiprinātiem acu aizsarglīdzekļiem. Sargieties no šķembām, kas atdalās no baļķa skaldīšanas laikā; tās var izraisīt ievainojumus un var iestrēgt iekārtā. Valkājiet galvassegu, lai mati netiktu ierauti iekārtā.

Nevelciet vaļīgu apģērbu, kaklasaites vai rotaslietas (gredzenus, pulksteņus utt.). Tos var ieraut iekārtas kustīgajās daļās.

Nekad nemēģiniet saskaldīt pārāk garu vai īsu baļķi.

Nekad nemēģiniet saskaldīt baļķi, kurā ir naglas, tērauda stieples vai citi komponenti, kas var sabojāt iekārtu.

Sakopiet darba vietu un notīriet iekārtu: iekārtā uzkrājušies atgriezumi un skaidas var radīt bīstamu darba vidi.

Nekad nestrādājiet darba vidē, kurā ir daudz materiālu, kas var izraisīt slīdēšanu, paklupšanu vai nokrišanu. Raugiet, lai blakusstāvošie neatrastos iekārtas tuvumā, un nekad neļaujiet blakusstāvošajiem izmantot iekārtu. Blakusesošajiem (cilvēkiem un dzīvniekiem) jāatrodas vismaz 5 metru attālumā no iekārtas.

Darba zonai ir jābūt labi apgaismotai.

UZMANĪBU! Neviens brīdinājumu saraksts nevar aptvert visas bīstamās situācijas un draudus. Lietotājam ir jārikojas saprātīgi un jāstrādā ar iekārtu drošā veidā.

Pirms darba uzsākšanas jāveic ar drošību saistītās pamatprocedūras.

BAĻĶU SKALDĪTĀJA ĪPAŠĪBAS

Iekārtu var vienkārši pārvietot, jo tā ir viegla un ir aprīkota ar iebūvētiem ritentiņiem.

Spēks. Koksne tiek ātri sadalīta, izmantojot 4 tonnu lielu spēku.

Darbojas ar elektroenerģiju. Pateicoties ērtajai, uzticamajai un elektriski darbināmajai hidrauliskajai sistēmai, iekārta jums neradīs neērtības un izdevumus par motora apkopi. Vienkārši pievienojiet iekārtu barošanas avotam un sāciet baļķu skaldīšanu.

Hidrauliskais sūknis. Efektīvais hidrauliskais sūknis drošā un kontrolētā veidā saskalda baļķus bez nepieciešamības izmantot cirvi, uzstīvējveseri vai ķīli.

Droša iekārtas vadība ar abām rokām. Iebūvētais drošības modelis lietošanas laikā nodrošina pietiekami lielu plaukstu novietojuma attālumu no baļķa un baļķu sadalītāja.

SPECIĀLIE DROŠĪBAS NORĀDĪJUMI, KAS JĀIEVĒRO, LIETOJOT BAĻĶU SKALDĪTĀJU

Pirms iekārtas iedarbināšanas pārbaudiet pārslodzes aizsardzības ierīces un aizsargplāksnes stāvokli.

Pirms iekārtas iedarbināšanas pārbaudiet, vai no iekārtas nenopil eļļa un vai hidrauliskās eļļas līmenis atrodas eļļas mērstieņa rievu robežās.

Pirms iekārtas iedarbināšanas pārbaudiet blūķu skaldītāja darba stāvokli. Nenoņemiet aizsargaprīkojumu un uzturiet to labā stāvoklī. Vienmēr pārbaudiet, vai pirms iekārtas ieslēgšanas no darba zonas ir aizvākti visi instrumenti. Pirms iekārtas lietošanas nomainiet bojātos, nozaudētos vai piegādātos piederumus.

Iedarbināšanas laikā uz iekārtas nedrīkst atrasties slodze, un pārbaudiet, vai tā ir labā darba stāvoklī.

Paturiet prātā iespējamās briesmas un situācijas, kādas var rasties, sadalot dažus noteiktus baļķu veidus (piemēram, bedrainus vai neregulāras formas baļķus).

Neaizmirstiet vienmēr izmantot pārnēsājamo paliekošās strāvas ierīci (PRCD), ja iekārtas elektriskajai sistēmai nav vismaz 0,03 A stipra pārtraucējslēdzis.

Nekad neskaldiet baļķus, kas pārsniedz lietošanas pamācībā norādītos baļķu izmērus. Nekad nemēģiniet saskaldīt baļķus, kuros ir, piemēram, naglas vai tērauda stieples, kas ir bīstamas iekārtas darbībai.

Baļķa apakšējā virsma ir jāsaģiež vienmērīgi, un uz baļķa nedrīkst būt atzari. Baļķis jāsadala zaru augšanas virzienā. Nekad nenovietojiet uz baļķu skaldītāja baļķi vertikālā stāvoklī.

Vienmēr turiet vadības ierīci ar abām rokām. Vadības ierīci nedrīkst izmantot veidos, kam tā nav paredzēta.

Novietojiet iekārtu uz horizontālas un stabilas atbalsta virsmas 72–85 cm augstumā. Pārliecinieties, vai ap iekārtu ir pietiekami daudz vietas, lai ap to pārvietotos. Uz atbalsta virsmas nedrīkst atrasties neviens priekšmets, kas varētu traucēt iekārtas brīvu kustību. Šim nolūkam iesakām izmantot baļķu skaldītājam paredzētu statīvu. Nekad nelietojiet zemē noliktu iekārtu. Ja baļķu skaldītājs pārvietojas, piestipriniet to pie darba pamatnes.

Bīstami! Nemēģiniet saskaldīt divus baļķus vienlaicīgi.

Bīstami! Nekad neuzkraujiet uz iekārtas nākamo baļķi vai nenomainiet baļķi, kamēr iekārta darbojas.

Bīstami! Nekad nemēģiniet izmainīt baļķu skaldītāja aizsargaprīkojumu un nelietojiet iekārtu bez aizsardzības līdzekļiem.

Brīdinājums! Nekad neturiet baļķu skaldītāju piespiestu ilgāk par piecām sekundēm, jo īpaši cietas koksnes sadalīšanas laikā. Šim laikam beidzoties var uzkarst eļļa. Stipri ciets baļķis ir jāpagriež par 90 °, lai redzētu, vai to var sadalīt citā virzienā. Ja nevarat sadalīt baļķi, tas nozīmē, ka koksnes cietība pārsniedz iekārtas spējas.

Aizliegts! Nekad neatveriet elektromotora slēdža kārbu vai vāku. Šaubu gadījumā sazinieties ar kvalificētu elektriķi.

Brīdinājums! Uzmanieties, lai iekārta un elektriskais kabelis nenonāktu saskarē ar ūdeni. Rīkojieties ar elektrisko kabeli uzmanīgi.

Nekad neraujiet vai nevelciet aiz elektriskā kabeļa. Turiet elektrisko kabeli pietiekami lielā attālumā no augstas temperatūras, eļļas un asiem priekšmetiem.

Baļķu skaldītājs pirms ieslēgšanas ir jāpārbauda. Rūpējieties, lai aizsargi atrastos paredzētajās vietās un būtu labā darba stāvoklī. Vienmēr pirms iekārtas ieslēgšanas pārliecinieties, vai no instrumenta ir izņemtas visas atslēgas un uzgriežņu atslēgas. Pirms lietošanas jābūt nomainītām visām bojātajām vai trūkstošajām daļām.

DETAĻAS UN VADĪBAS IERĪCES (1. ATT.)

1.	Aizsargs
2.	Ķīlis
3.	Baļķa paliktnis
4.	Pacelšanas rokturis
5.	Baļķa aizturplāksnes
6.	Slēdzis
7.	Kārba ar spiedpogu
8.	Ritenis
9.	Atgaisošanas skrūve
10.	Eļļas notecināšanas skrūve ar mērstieni
11.	Darba galds
12.	Baļķa stūmējs
13.	Vadības sviras aizsargs
14.	Hidrauliskās sistēmas vadības svira
15.	Motors
16.	Maks. spiediena ierobežošanas skrūve
17.	Atbalsta kāja

IZPAKOŠANA

Uzmanību! Šajā iepakojumā ietverti asi priekšmeti. Izpakojiet instrumentu uzmanīgi. Izņemiet no iepakojuma ierīci un tās komplektācijā ietvertos piederumus. Rūpīgi pārbaudiet, vai ierīce ir labā darba stāvoklī, un noskaidrojiet, kādi piederumi ir iekļauti šīs instrukcijas sarakstā.

Pārlicinieties, vai ir piegādāti visi piederumi. Ja trūkst kādas detaļas, atdodiet ierīci mazumtirgotājam oriģinālajā iepakojumā kopā ar tās piederumiem.

Neizmetiet iepakojumu, saglabājiet to visu garantijas laiku un, ja iespējams, nogādājiet to otrreizējai pārstrādei vai arī atbrīvojieties no tā atbilstoši vietējiem noteikumiem. Neļaujiet bērniem rotaļāties ar tukšiem plastmasas maisiņiem — pastāv nosmakšanas draudi!

KOMPLEKTĀCIJĀ IETILPSTOŠĀS DAĻAS (2. ATT.)

1.	Baļķu skaldītāja rāmis
2.	Transportēšanas rokturis
3.	1. atbalsta statnis (x 2)
4.	2. atbalsta statnis
5.	Lietošanas instrukcija
6.	Apakšējā aizsargplāksne
7.	1. baļķa paliktņi
8.	2. baļķu paliktņi
9.	1. augšējā aizsargplāksne
10.	2. augšējā aizsargplāksne
11.	1. aizmugurējā aizsargplāksne
12.	2. aizmugurējā aizsargplāksne
13.	Priekšējā aizsargplāksne
14.	Kreisās puses aizsargplāksne
15.	Plāksnes savienotājs (x2)
16.	Aprīkojuma maisiņš, ieskaitot uzgriežņus un skrūves

UZSTĀDĪŠANA

BRĪDINĀJUMS! Iekārtai vienmēr jābūt atvienotai no elektroapgādes detaļu montāžas, regulēšanas, tīrīšanas, tehniskās apkopes laikā un tad, ja instruments netiek izmantots. Atvienojot instrumentu, tiks novērsta netīša ieslēgšanās, kas var radīt smagas traumas.

PACELŠANAS ROKTURA UZSTĀDĪŠANA (3. ATT.)

Uzstādiet pacelšanas rokturi pie U veida stiprinājuma ar abām M6×16 bultskrūvēm.

BAĻĶA PALIKTŅA UZSTĀDĪŠANA

Uzstādiet apakšējo aizsargplāksni pie aizmugurējās virzošās plāksnes un pieskrūvējiet ar abām M6×12

skrūvēm ar uznavu galviņām un paplāksnēm, 4. att. (1).

Atskrūvējiet riteņa stiprinājumā skrūvi ar uznavu galviņu un lielo paplāksni, ievietojiet 2. atbalsta statņa atvērto galu starp lielo paplāksni un riteņa stiprinājumu, un pievelciet skrūvi.

Savienojiet 2. atbalsta statņa augšējo galu ar apakšējo aizsargplāksni, pieskrūvējot ar M6×12 skrūvi ar krustiņveida rievu un kontruzgriezni M6, 4. att. (2).

Salāgojiet abus 1. baļķa paliktņa stiprinājuma caurumiņus ar skaldītāja aizmugurē esošajiem caurumiņiem. Ielieciet vienu M6×12 skrūvi ar uznavu galviņu un atsperpaplāksni 6 montāžas caurumā kreisajā pusē un otru M6×12 skrūvi ar uznavu galviņu un kontruzgriezni M6 labajā pusē, un stingri pieskrūvējiet, 5. att. (1).

Atskrūvējiet bultskrūvi ar uznavu galviņu un uzgriezni priekšējās atbalsta kājas kreisajā pusē, ievietojiet 1. atbalsta statņa atvērto galu bultskrūvē un pēc tam pievelciet uzgriezni.

Savienojiet atbalsta statņa 1. augšējo galu ar 1. baļķa paliktņi, pieskrūvējot ar M6×12 skrūvi ar krustiņveida rievu un kontruzgriezni M6, 5. att. (2).

Salāgojiet abus 2. baļķa paliktņa stiprinājuma caurumiņus ar skaldītāja priekšpusē esošajiem caurumiņiem. Ielieciet vienu M6×12 skrūvi ar uznavu galviņu un atsperpaplāksni 6 montāžas caurumā labajā pusē un otru M6×12 skrūvi ar uznavu galviņu un atsperpaplāksni 6 kreisajā pusē, un abas stingri pieskrūvējiet, 6.attēls. (1).

Atskrūvējiet bultskrūvi ar uznavu galviņu un uzgriezni priekšējās atbalsta kājas labajā pusē, ievietojiet 1. atbalsta statņa atvērto galu bultskrūvē un pēc tam pievelciet uzgriezni.

Savienojiet 1. atbalsta statņa augšējo galu ar 1. baļķa paliktņi, pieskrūvējot ar M6×12 skrūvi ar krustiņveida rievu un kontruzgriezni M6, 6.attēls. (2).

Savienojiet 1. baļķa paliktņi ar 2. baļķa paliktņi, saskrūvējot ar abām M6×12 skrūvēm un kontruzgriežņiem, 7. att.

VADU AIZSARGPLĀKSNES MONTĀŽA UN PIESTIPRINĀŠANA

Piestipriniet priekšējo aizsargplāksni, kreiso aizsargplāksni un abas aizmugurējās aizsargplāksnes pie baļķa paliktņa un apakšējās plāksnes ar M6×16 skrūvēm un uzgriežņiem, 8. att.

Piestipriniet abas augšējās aizsargplāksnes pie vertikālajām plāksnēm ar M5×16 bultskrūvēm un uzgriežņiem.

Savienojiet abas augšējās aizsargplāksnes/aizmugurējās aizsargplāksnes ar plāksņu savienotājiem un M5×16 bultskrūvēm un uzgriežņiem, 9. att.

ATGAISOŠANAS SKRŪVE

BRĪDINĀJUMS! Pirms iedarbināt baļķu skaldītāju, pagrieziet atgaisošanas skrūvi par dažiem apgriezieniem, līdz gaiss sāk brīvi ieplūst eļļas tvertnē un ārā no tās.

Gaisa plūsmu caur atgaisošanas skrūves caurumiņu var noteikt, kad ir ieslēgts baļķu skaldītājs.

Pirms baļķu skaldītāja pārvietošanas pārliecinieties, vai ir pievilktas atgaisošanas skrūve, lai neradītu eļļas noplūdi.

Ja netiek atskrūvēta atgaisošanas skrūve, hidrauliskajā sistēmā saspiestā veidā paliks nosprostotais gaiss. Nepārtraukta gaisa saspiešana un dekompresija izspiedīs hidrauliskās sistēmas blīves un radīs neatgriezenisku bojājumu baļķu skaldītājam.

MAKSIMĀLĀ SPIEDIENA IEROBEŽOŠANAS SKRŪVE 1. ATT. (16)

BRĪDINĀJUMS! Neregulējiet maksimālā spiediena ierobežošanas skrūvi. Maksimālo spiedienu nosaka kvalificēts mehāniķis ar profesionālu instrumentu palīdzību, lai baļķu skaldītājs darbotos zem spiediena, kas nepārsniedz 4 tonnas.

Neatļauta regulēšana izraisīs hidrauliskā sūkņa bojājumus un var radīt nopietnus savainojumus, kā arī sabojāt pašu iekārtu.

BAĻĶU SKALDĪTĀJA PĀRVIETOŠANA

Pirms iekārtas pārvietošanas vai transportēšanas izvelciet elektrības kabeli no barošanas avota: pagaidiet, līdz iekārta ir pilnībā apstājusies; ļaujiet iekārtai atdzist; uztiniet elektrisko kabeli un piestipriniet.

UZMANĪBU! UZMANĪBU! PIRMS BAĻĶU SKALDĪTĀJA PĀRVIETOŠANAS PĀRBAUDIET, VAI IR PIEVILKTA ATGAISOŠANAS SKRŪVE, LAI NERASTOS EĻĻAS NOPLŪDE.

Ja vēlaties pārvietot baļķu skaldītāju īsā attālumā, paceliet iekārtu aiz priekšējā roktura tā, lai nedaudz paceltos iekārtas priekšējā daļa un lai ritentiņi pieskartos zemei. Pēc tam velciet vai stumiet iekārtu, pārvietojot uz priekšu vai atpakaļ. Rīkojieties uzmanīgi, atrodoties uz nelīdzenām un/vai slidenām virsmām.

BRĪDINĀJUMS! Nepārvietojiet baļķu skaldītāju ar uzkrautu baļķi.

IEKĀRTAS TRANSPORTĒŠANA GARĀKOS ATTĀLUMOS

Kad iekārta ir iecelta iekrāvējā, piestipriniet baļķu skaldītāju aiz stiprinājuma atzīmētajiem punktiem, lai baļķu skaldītājs transportēšanas laikā nepārvietotos, 10. att.

Ja izmantojat pacelēju, tad piestipriniet celšanas siksnu aiz pacelšanas punktiem. Nekad nemēģiniet pacelt baļķu skaldītāju aiz roktura.

EKSPLUATĀCIJA

LIETOŠANAS NOSACĪJUMI

Šis baļķu skaldītāja modelis ir paredzēts izmantošanai mājas apstākļos. Iekārta ir paredzēta darbam apkārtējās vides temperatūrā no + 5 °C līdz 40 °C un uzstādīšanai augstumā, kas nepārsniedz 1000 m virs jūras līmeņa. Apkārtējās vides mitruma līmenim 40 °C temperatūrā ir jābūt zem 50 %. Iekārtu var uzglabāt vai transportēt no -25 °C līdz 55 °C temperatūrā.

Pirms ekspluatācijas uzceliet baļķu skaldītāju uz 72-85 cm augsta, stabila un līdzena darbagalda. Piestipriniet atbalsta kāju pie stingras pamatnes ar divām M8x35 (A) skrūvēm, 11. att.

Ar šo baļķu skaldītāju var strādāt tikai viena persona, kurai jāstrādā ar abām rokām. Ar kreiso roku regulē hidraulisko vadības sviru, bet ar labo — spiedpogas slēdzi, 12. att. Ja nebūs uzlikta otra roka, baļķu skaldītājs apstāsies. Tikai tad, kad abas rokas ir atlaidušas vadības ierīces, baļķa stūmejs sāks atgriezties atpakaļ sākuma stāvoklī, 13. att.

Iekārtai tiek izmantota sprūda tipa bloķēšanas ierīce, lai izvairītos no nejaušas hidrauliskās sistēmas vadības sviras nospiešanas. Lai aktivizētu hidrauliskās sistēmas vadības sviru, pirms tās pārvietošanas uz priekšu ar rādītājpirkstu jāpavelk slēdzis atpakaļvirzienā.

PIEZĪME. Kad sākat skaldīt blūkus, nekad nesniedzieties malkas skaldīšanas zonā.

BRĪDINĀJUMS! NEKAD NELIECIET BAĻĶU SKALDĪTĀJAM SKALDĪT PĀRĀK CIETU BAĻĶI ILGĀK PAR 5 SEKUNDĒM. PĒC ŠĪ LAIKA EĻĻA ZEM SPIEDIENA PĀRKARST UN IEKĀRTA VAR TIKT SABOJĀTA.

Tāpēc pārāk cieta baļķa gadījumā ir labāk apstāties un pagriezt blūķi par 90°, lai pārbaudītu, vai to var saskaldīt citā plaknē. Jebkurā gadījumā, ja jūs joprojām nespējat saskaldīt baļķi, tas nozīmē, ka koksne pārsniedz iekārtas jaudu, un to nedrīkst skaldīt, lai pasargātu iekārtu no bojājumiem.

Vienmēr nolieciet baļķi uz baļķa aizturplāksnēm un darba galdā. Pārliecinieties, vai baļķis skaldīšanas laikā negriežas, nešūpojas vai neslīd. Nespiediet asmens augšējo daļu ar spēku, lai tas sadalītu baļķi. Tādā veidā var salauzt asmeni vai sabojāt iekārtu, 14. att.

Skaldiet baļķi zaru augšanas virzienā. Nenovietojiet baļķi šķērsām pāri iekārtai. Tas ir bīstami, un var nopietni sabojāt iekārtu.

Nemēģiniet saskaldīt divus baļķus vienlaicīgi. Viens no tiem var palēkt uz augšu un atsisties pret jums.

BĪSTAMĪBA! BĪSTAMĪBA! IEKĀRTAS EKSPLUATĒŠANAS LAIKĀ NETURIET ROKAS BAĻĶA SKALDĪŠANAS VIETĀ, ZONĀ ZEM SPRIEGUMA UN VIETĀS, KAS SAKARST, 15. ATT.

IESTRĒGUŠA BAĻĶA ATBRĪVOŠANA

Atlaidiet abas vadības ierīces.

Baļķu skaldītājs pārvietojas uz priekšu un atpakaļ un pilnībā apstājas sākuma pozīcijā.

Palieciet koka ķīli zem iestrēgušā baļķa, 16. att.

Iedarbiniet baļķu skaldītāju, lai pavirzītu ķīli zem iestrēgušā baļķa, 17. att.

Atkārtojiet iepriekš norādītās darbības ar asākiem koka ķīļiem, līdz baļķis tiek pilnībā atbrīvots.

Uzmanību! Nemēģiniet sist pa iestrēgušo baļķi, lai to atbrīvotu no skaldītāja, jo tas var sabojāt iekārtu vai arī baļķis var atlēkt uz augšu un izraisīt nelaimes gadījumu, 18. att.

TEHNISKĀ APKOPE

Brīdinājums! Pirms uzsākat jebkādas tīrīšanas vai tehniskās apkopes darbus, baļķu skaldītājam ir jābūt izslēgtam un atvienotam no barošanas avota.

HIDRAULISKĀS EĻĻAS NOMAIŅA

Nomainiet hidraulisko eļļu baļķu skaldītājam ik pēc 150 darba stundām. Lai to nomainītu, rīkojieties šādi:

pārļiecinieties, vai baļķu skaldītājs ir atgriezies sākuma stāvoklī un vai iekārta ir pilnībā atvienota no barošanas avota;

atskrūvējiet atgaisošanas skrūvi pat trīs vai četriem apgriezieniem;

atskrūvējiet eļļas notecināšanas skrūvi ar mērstieni un izņemiet to, 19. att.;

novietojiet trauku zem baļķu skaldītāja, kurā var ietilpt vismaz 4 litri eļļas; sagāziet baļķu skaldītāju slīpumā un izlejiet eļļu traukā, 20. att.;

sagāziet baļķu skaldītāju slīpumā pretējā virzienā, lai eļļas uzpildes atvere būtu vērsta uz augšu; hidraulisko eļļu ielejiet eļļas tvertnē, izmantojot tīru piltuvi, 21. att.; ielejiet specifikācijas tabulā norādīto eļļas daudzumu;

notīriet eļļas notecināšanas skrūves mērstieņa virsmu, un ielieciet atpakaļ eļļas tvertnē, turot baļķu skaldītāju vertikāli;

pārļiecinieties, vai uzpildītās eļļas līmenis atrodas starp abām mērstieņa rievām, 22. att.;

ja nepieciešams, iepildiet eļļu vairāk;

rūpīgi notīriet uzpildes kakliņu un spraudņa/mērstieņa paplāksni/blīvi un uzlieciet atpakaļ, kārtīgi pieskrūvējiet, lai novērstu eļļas noplūdi. NEPIESKRŪVĒJIET pārāk stipri;

uzmanīgi novietojiet iekārtu normālā darba stāvoklī;

visbeidzot pieskrūvējiet atgaisošanas skrūvi.

HIDRAULISKĀS EĻĻAS TILPUMS

- 3,7 litri

ĪTEICAMĀ HIDRAULISKĀ EĻĻA

Iesakām hidrauliskajai sistēmai izmantot turpmāk norādītās hidrauliskās eļļas:

- SHELL Tellus 22
- MOBIL DTE 11
- ARAL Vitam GF 22
- BP Energol HLP-HM 22
- vai citas atbilstošas eļļas

ĶĪĻA ASINĀŠANA

Ķīlis pēc ilgstošas darbības vai pēc vajadzības ir jāuzsina, izmantojot vīli ar smalkiem zobiem, un jāizlīdzina visas atskabargas vai iespiestās vietas gar griezējmalu.

UZGLABĀŠANA

Izvelciet baļķu skaldītāja kontaktdakšu no barošanas avota.

Pieskrūvējiet atgaisošanas skrūvi.

Notīriet iekārtu, izmantojot sausu lupatiņu.

TEHNISKĀ SPECIFIKĀCIJA

Spriegums:	230 V—50 Hz
Motors:	2200 W S3 25 %
Nominālā tonnāža	5 tonnas
IP vērtējums	IP54
Maksimālais bluķa garums	520 mm
Minimālais bluķa diametrs	50 mm
Maksimālais bluķa diametrs	250 mm
Hidrauliskais spiediens	20,6Mpa
Eļļas tilpums	3,5L

PROBLĒMU NOVĒRŠANA

PROBLĒMA	CĒĻONIS	RISINĀJUMS
Iekārta nesadala baļķus.	Baļķis nav pareizi novietots.	Izlasiet sadaļu „Ekspluatācija”.
	Ķīļa griezējuma nav asa.	Izlasiet sadaļu „Ķīļa asināšana”.
	Baļķa izmērs vai cietība pārsniedz iekārtas jaudu.	Samaziniet baļķa izmērus pirms uzkraušanas baļķu sadalītājā.
	Eļļas noplūde.	Sazinieties ar tirgotāju.
	Regulēta maksimālā spiediena ierobežošanas skrūve.	Sazinieties ar tirgotāju.
Baļķu sadalītājs nepārvietojas vienmērīgi.	Trūkst hidrauliskā eļļa un hidrauliskajā sistēmā pārāk daudz gaisa.	Pārbaudiet eļļas līmeni, lai konstatētu, vai nav jāiepilda eļļa. Sazinieties ar tirgotāju.
Eļļas noplūde ap cilindra hidraulisko trieci vai citiem punktiem.	Hidrauliskajā sistēmā darbības laikā iestrēdzis gaiss.	Pirms bluķu sadalītāja izmantošanas atskrūvējiet atgaisošanas skrūvi, pagriežot par 3-4 apgriezieniem.
	Pirms baļķu sadalītāja pārvietošanas nebija pieskrūvēta atgaisošanas skrūve.	Pirms baļķu sadalītāja pārvietošanas jāpieskrūvē atgaisošanas skrūve.
	Nav pieskrūvēta eļļas notecināšanas skrūve.	Pievelciet eļļas notecināšanas skrūvi.
	Nodilis hidrauliskās sistēmas vadības vārsts un/vai blīve(-es).	Sazinieties ar tirgotāju.

VIDES AIZSARDZĪBA

Informācija par (privāto mājsaimniecību) videi nekaitīgu Elektrisko un elektronisko iekārtu atkritumu (WEEE) utilizāciju



Šis simbols uz produktiem un/vai saistītajiem dokumentiem norāda, ka nolietotas elektriskās un elektroniskās iekārtas nedrīkst utilizēt kopā ar sadzīves atkritumiem. Lai pareizi utilizētu, apstrādātu, atjaunotu un otrreizēji pārstrādātu, nogādājiet šos produktus piemērotos savākšanas centros, kur tos pieņem bez maksas. Dažās valstīs, iegādājoties līdzvērtīgu jauno produktu, vecos var atdot atpakaļ arī savam mazumtirgotājam. Ja šo produktu pareizi utilizē, tiek aizsargāti vērtīgi resursi un novērsta iespējama nelabvēlīga iedarbība uz cilvēku veselību un apkārtējo vidi, kas rodas, atkritumus nepareizi utilizējot un apstrādājot. Papildu informācijai par tuvākajiem savākšanas centriem sazinieties ar savu vietējo iestādi. Par nepareizu atkritumu utilizēšanu soda naudas tiek piemērotas saskaņā ar valsts likumdošanu.

UZŅĒMUMIEM EIROPAS SAVIENĪBĀ

Ja vēlaties utilizēt elektriskās un elektroniskās iekārtas, papildu informācijai sazinieties ar savu izplatītāju vai piegādātāju.

Informācija par utilizāciju citās valstīs ārpus Eiropas Savienības

Šis simbols ir derīgs tikai Eiropas Savienībā.

Ja vēlaties utilizēt šo produktu, sazinieties ar savu vietējo iestādi vai izplatītāju un noskaidrojiet piemērotu utilizācijas veidu.

APZĪMĒJUMI

Jūsu iekārtas pases datu plāksnītē var būt dažādi apzīmējumi. Tie norāda svarīgu informāciju par iekārtu vai tās lietošanas pamācību.



Lietot dzirdes aizsardzības līdzekļus.

Lietot acu aizsardzības līdzekļus.

Lietot elpošanas orgānu aizsardzības līdzekļus.



Atbilst attiecīgajiem saskaņotajiem drošības standartiem.



Izlasiet lietošanas pamācību.



Valkāt aizsargcimdus.



Valkāt aizsargzābakus.



Roku sagriešanas vai saspiešanas draudi.



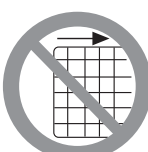
Nekad nenovērsiet uzmanību no iekārtas kustības.



Aizsargājiet plaukstu.



Kad iekārtu nelietojat, atvienojiet no barošanas avota.



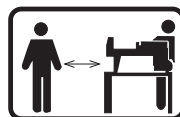
Pirms baļķu sadalītāja izmantošanas pārbaudiet, vai tam nav radušies bojājumi.



Elektrisko izstrādājumu atkritumus nedrīkst izmest kopā ar sadzīves atkritumiem. Ja iespējams, lūdzu, nododiet tos otrreizējai pārstrādei. Sazinieties ar savu vietējo iestādi vai mazumtirgotāju, kas jums sniegs padomu par atkritumu pārstrādi.



Produkts atbilst RoHS prasībām



Šo iekārtu vienlaikus drīkst lietot tikai viena persona. Raugiet, lai bērni un apkārt esošie atrastos drošā attālumā no darba zonas.



Aizsargājiet apkārtējo vidi

EU DECLARATION OF CONFORMITY

1. **Product model • Tuotteen malli • Produktmodell • Toote mudel • Izstrādājuma modelis:** FXA502018664

2. **Name and address of the manufacturer or his authorised representative:**

Valmistajan tai valtuutetun edustajan nimi ja osoite:

Tillverkarens eller dess auktoriserade representants namn och adress:

Tootja või tema volitatud esindaja nimi ja aadress:

Ražotāja vai tā pilnvarotā pārstāvja vārds / nosaukums un adrese:

NAP BRANDS LTD. Office 20, Fleming Court Business Centre, Leigh Road, Eastleigh, Hampshire SO50 9YN
Tel: +44 (0)2380 649650. Email: sales@napbrands.co.uk

3. **This declaration of conformity is issued under the sole responsibility of the manufacturer.**

Tämä vaatimustenmukaisuusvakuutus on julkaistu yksinomaan valmistajan vastuulla.

Denna deklaration om överensstämmelse utfärdas på eget ansvar av tillverkaren.

Kāesolev vastavusdeklaratsioon on välja antud tootja ainuvastutusel.

Šī atbilstības deklarācija ir izdota vienīgi uz šāda ražotāja atbildību:

4. **Object of the declaration • Vakuutuksen kohde • Målet med deklarationen • Deklareeritav toode • Deklarācijas priekšmets**

Equipment • Laite • Utrustning • Seadmed • Aprīkojums: Log Splitter

Brand name • Tuotemerkki • Namn på varumärke • Kaubamärk • Zīmola nosaukums: FXA

Model/type • Malli/tyyppi • Modell/typ • Mudel/tüüp • Modelis / tips: FXA502018664

5. **The object of the declaration described above is in conformity with the relevant Union harmonisation legislation:**

Yllä kuvatun vakuutuksen kohde on olennaisten Unionin harmonisaatiolainsäädäntövaatimusten mukainen:

Målet med ovanstående deklaration är överensstämmelse med relevant unionslagstiftning om harmonisering:

Eelkirjeldatud deklareeritav toode on kooskõlas asjaomaste liidu ühtlustamisaktidega:

Iepriekš aprakstītais deklarācijas priekšmets atbilst attiecīgajiem Savienības saskaņotajiem tiesību aktiem:

2006/42/EC, 2014/30/EU, 2011/65/EU

6. **References to the relevant harmonised standards used or references to the other technical specifications in relation to which conformity is declared:**

Viitteet olennaisiin käytössä oleviin harmonisoituihin standardeihin tai viitteet muihin teknisiin tietoihin, jotka liittyvät vakuutuksen ilmoitukseen:

Hänvisningar till de relevanta harmoniserade standarder som används eller hänvisningar till andra tekniska specifikationer enligt vilken överensstämmelse försäkras:

Viited asjaomastele kasutatud harmoneeritud standarditele või viited muudele tehnilistele spetsifikatsioonidele, millele vastavust deklareeritakse:

Atsauces uz attiecīgajiem saskaņotajiem standartiem vai atsauces uz citām tehniskajām specifikācijām, saistībā ar kurām ir deklarēta atbilstība:

EN60204-1; EN609-1; EN55014-1; EN55014-2; EN61000-3-2; EN61000-3-11

7. **The person authorized to compile the technical file • Henkilö, joka on valtuutettu teknisen tiedoston kokoamiseen**

Den person som är behörig att ställa samman den tekniska dokumentationen • Tehnilise dokumentatsiooni

koostamiseks volitatud isik • Persona, kura pilnvarota sastādīt tehnisko lietu

Name • Nimi • Namn • Nimi • Vārds / nosaukums: Robert Redfern

Address • Osoite • Adress • Aadress • Adrese: Nap Brands Ltd. Office 20, Fleming Court Business Centre, Leigh Road, Eastleigh, Hampshire SO50 9YN

Signed for and on behalf of • Allekirjoitus ja allekirjoittaja • Signerad och ombud för

• Alla kirjutanut (kelle poolt ja nimel) • Parakstīts šādas personas vārdā

Authorised Representative • Valtuutettu edustaja • Auktoriserad representant • Volitatud esindaja • Pilnvarotais pārstāvis

Robert Redfern, Technical Manager

29/09/2019

