

FXA



501741207

Instruction manual

Käyttöohje

Bruksanvisning

GB pg 2 - 21

FI pg 22 - 42

SE pg 43 - 64

FXA

Gasoline Lawn Mower

ORIGINAL INSTRUCTION MANUAL

Model: 501741207 / GL51YL-B

CAUTION: Read and follow all Safety Rules and Instructions before operating this equipment.

© € 2016

Kesko Corporation Group Companies,
Address: Satamakatu 3, FI-00160, Helsinki, Finland
Telefon: +358-10 53032 Fax: +358-9 857 4783

ORIGINAL INSTRUCTION MANUAL: 501741207 / GL51YL-B

Dear Customer.

Thank you for choosing our Gasoline Lawn mower. To ensure that you get the best results from your Gasoline Lawn mower please read all of these safety and operating instructions carefully before using this product.

Spend a few moments to familiarize yourself with your mower before each use. Keep this manual in a safe place, so that the information is available at all times. If you give the equipment to any other person, hand over these operating instructions and safety regulations as well.

Intended use

The equipment may only be used for the tasks it is designed to handle. Any other use is deemed to be a case of misuse. The user/operator and not the manufacturer will be liable for any damage or injuries of any kind caused as a result of this.

The petrol lawn mower is intended for private use i.e. for use in home and gardening environments. Private use of the lawn mower refers an annual operating time generally not exceeding that of 50hours, during which time the machine is primarily used to maintain small-scale, residential lawns and home/hobby gardens. Public facilities, sporting halls, and agricultural/forestry applications are excluded.

Please note that our equipment has not been designed for use in commercial, trade or industrial applications. Our warranty will be voided if the machine is used in commercial, trade or industrial businesses or for equivalent purposes.

The operating instructions as supplied by the manufacturer must be kept and referred to in order to ensure that the lawn mower is properly used and maintained. The instructions contain valuable information on operating, maintenance and servicing conditions.

Important! Due to the high risk of bodily injury to the user, the lawn mower may not be used to trim bushes, hedges or shrubs, to cut scaling vegetation, planted roofs, or balcony-grown grass, to clean (suck up) dirt and debris off walkways, or to chop up tree or hedge clippings. Moreover, the lawn mower may not be used as a power cultivator to level out high areas such as molehills.

For safety reasons, the lawn mower may not be used as a drive unit for other work tools or toolkits of any kind.

TABLE OF CONTENTS

1. SAFETY MESSAGES
2. ASSEMBLY
3. TECHNICAL DATA
4. BEFORE OPERATION
5. OPERATION
6. MAINTENANCE
7. STORAGE
8. ENVIRONMENT
9. EXPLODE DRAWING
10. PART LIST
11. EU DECLARATION OF CONFORMITY

1. SAFETY MESSAGES

Your safety and the safety of others are very important. We have provided important safety messages in this manual and on the mower. This information alerts you to potential hazards that could hurt you or others. Please read these messages carefully.

Of course, it is not practical or possible to warn you about all the hazards associated with operating or maintaining a lawn mower. You must use your own good judgment.

You will find important safety information in a variety of forms:

Safety Labels – on the lawn mower.

Instructions – how to use this mower correctly and safely.



Important: Read the instruction manual before using the machine.



Danger of thrown objects. Keep other people at a safe distance while working



Warning: Remove the spark plug cable from the spark plug and read instructions before carrying out any repair or maintenance.



Danger of cutting yourself. Blades in movement. Do not put hands or feet near or under the opening of the cutting plate.

Safety Messages – preceded by a safety alert  symbol and one of three signal words:

DANGER WARNING or CAUTION.



DANGER: You will be killed or seriously hurt if you don't follow instructions



WARNING: You will be killed or seriously hurt if you don't follow instructions.



CAUTION: You can be hurt if you don't follow instructions.

Each message tells you what the hazard is, what can happen, and what you can do to avoid or reduce injury.

GENERAL CONDITION OF USE

- This machine is to be used exclusively for cutting natural grass. Never use the mower for other purposes. Any other utilization can involve danger for your safety and can involve damage to the mower.
- Persons under 16 years of age and persons who are not familiar with the user instructions must not use the mower.
- The user is responsible of the safety of other people in the working area. Keep children and domestic animals at a safe distance while the mower is in use.
- Before mowing, remove all foreign objects from the lawn which may be thrown by the machine, stay alert for any foreign objects which may have been missed.

Using Instructions

- Check that all nuts, bolts and screws are well tightened.
- Before mowing place the grass catcher in its position.
- Before mowing make sure that the blade and the blade fixing screw are securely fastened. When cutting edges require re-sharpening, this must be done evenly on both sides so as to prevent any imbalance. If the blade is damaged, it must be replaced.
- When mowing always wear a long trousers and strong footwear.
- Do not run the engine in an enclosed and/or poorly ventilated area, where gas of the engine contains carbon monoxide, which are dangerous for your health.
- Work only when there is sufficient light.
- Do not use the lawn mower when it is raining or when the grass is wet.
- Particular precautions must be taken while mowing on slopes or downing stretches. Mow across the face of slopes, never down or up.
- Turn off the engine if you must leave the lawn mower unattended, displace the lawnmower or incline it.
- Never lift the rear of the mower while starting the engine and never place your hands and feet underneath the deck or into the rear discharge chute while the engine is running.
- Never change in any way the rated speed of the engine.
- On the self-propelled mowers, disconnect the self-propelled system before starting the engine.
- Never lift or carry the mower while the engine is running.
- Stop the engine and remove the spark plug cover in these cases:
 - Before any operation under the deck or the grass rear discharge chute.
 - Before any maintenance, repairing or checking operations.
 - Before carrying, lifting or removing the mower.
 - If you leave the mower unattended or changing the cutting height.

- To remove and emptying the grass catcher.
- After hitting a foreign object, stop the engine and check thoroughly the mower in order to see if it is damage. Bring the mower in an agreed service station to do the repairing if necessary.



WARNING: After you stopped the engine the blade is still in motion during a few seconds.

- If the mower vibrates in an abnormal way, find the reasons why, and take your mower to an agreed service station.
- Check regularly that bolts, nuts and screw are secularly tightening for a safe use of the mower.

● **GASOLINE IS HIGHLY INFLAMMABLE**

- Keep gasoline in a jerry can specially made for this purpose.
- Fill up the tank with a funnel, do the operation outside. Do not smoke. Do not use mobile phone.
- Fill up with gasoline and oil before starting the engine. Never open the cap of the fuel tank to add gasoline while the engine is running or still hot.
- Do not start the engine if there is some gasoline spread around, take the mower away from the one where gasoline have been split and avoid any contact from a hot source as long as the split gasoline is completely evaporated.
- Tighten the fuel tank cap and close tightly the jerry can cap.

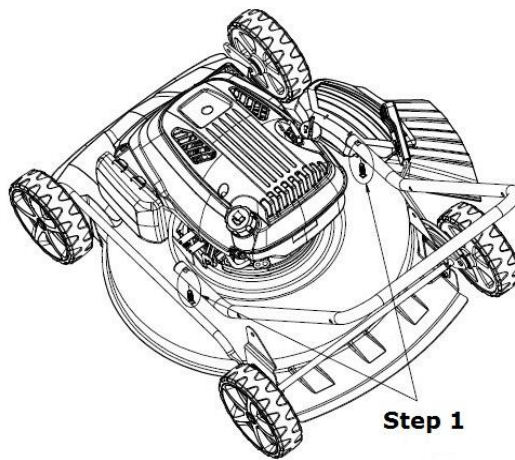
2. ASSEMBLY

Unpacking

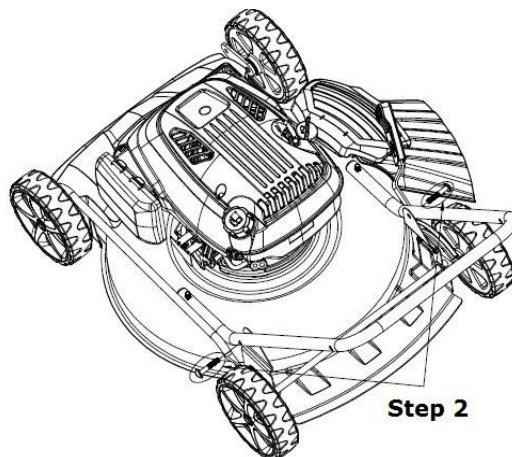
Remove the lawn mower from carton and check thoroughly for additional loose parts.

Handle setup

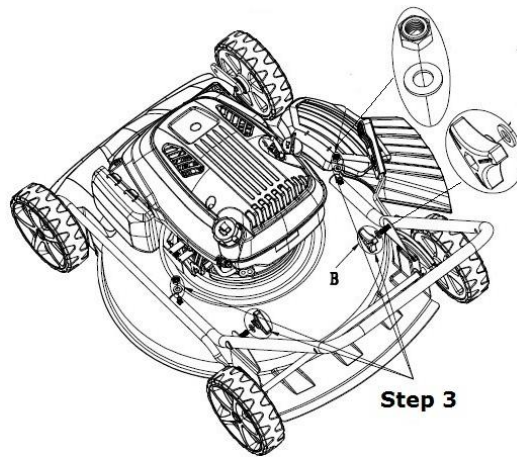
Step 1: Put the lower handle on the deck.



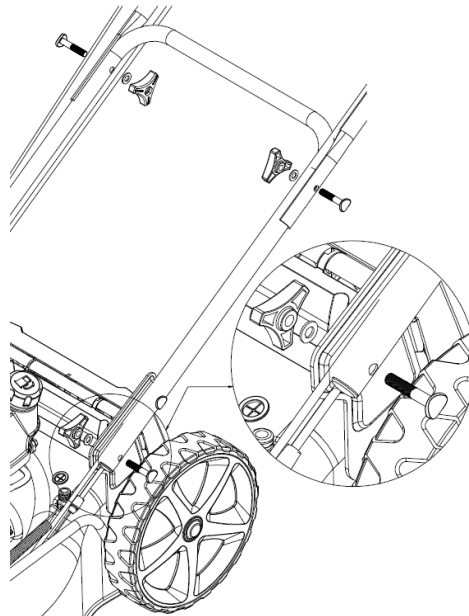
Step 2: Insert two bolts through two holes.



Step 3: Tighten two nuts and two knobs.

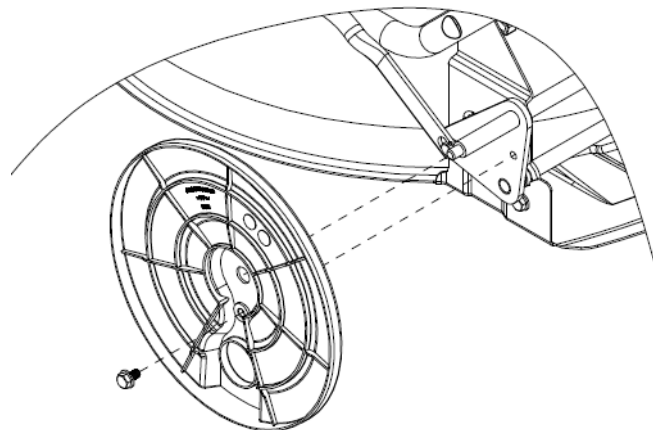


Step 4: Screw the upper handles parts with the two bolts and knobs. Put the recoil starter on the right of the handle and fix the cable with the plastic collar.



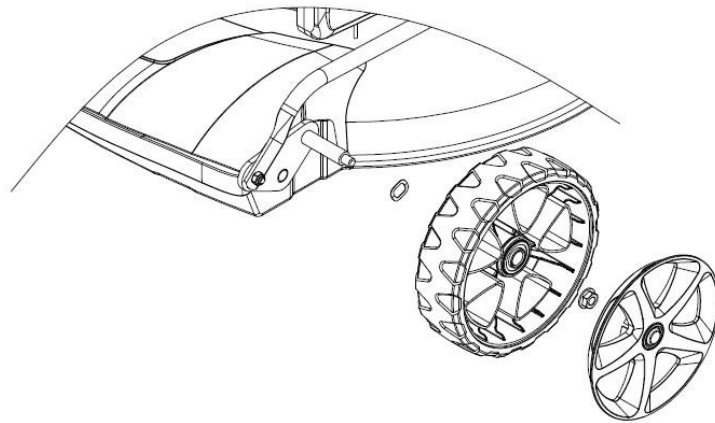
Inner Rear Wheel Cover Assembly

- Mounting the inner wheel cover as shown in the illustration.



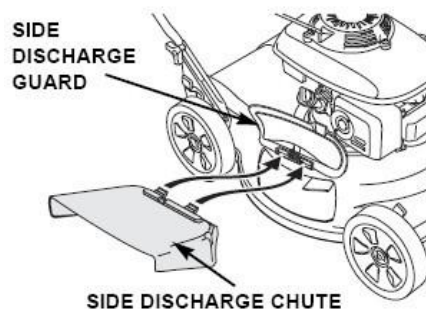
Wheels Assembly

- Put four wheels into corresponding wheel axle and tighten nuts, then fasten wheel covers on wheels.



Side Discharge Cover Assembly

- Lift the side discharge guard, install the side discharge cover.



Only Mulching: Please remove the side discharge cover.

3. TECHNICAL DATA

Model	501741207 / GL51YL-B
Engine type	Y139V
Engine Displacement	139 cm ³
Nominal Power	2.6 kW
Blade Width	508 mm
Rated Speed	2800/min
Gasoline Tank Capacity	1.0 L
Net Weight	26.50 kg
Height adjustment	25-75 mm, 6 adjustment

Guaranteed Sound pressure level at the operator's position (According to EN ISO 5395-1 Annex F & EN ISO 5395-2, EN ISO 4871)	81.40 dB (A) K=2.50 dB
Measured sound power level Guaranteed Sound Power level (According to 2000/14/EC)	94.60 dB(A) – K=0.44 dB 98 dB(A)
Vibration (According to EN ISO 5395-1 Annex G & EN ISO 5395-2)	8.802m/s ² K=1.5 m/s ²

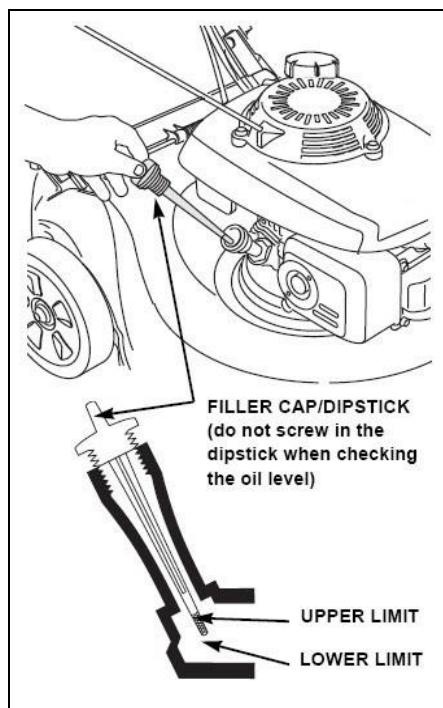
4. BEFORE OPERATION

Engine Oil

The lawn mower is shipped without oil in the engine.

All engines are run at the factory prior to packaging. Most of the oil is removed prior to shipment; however, some oil remains in the engine. The amount of oil left in the engine varies.

Add enough oil to bring the oil level between the upper and lower limit marks on the dipstick as shown. Do not overfill engine with oil.

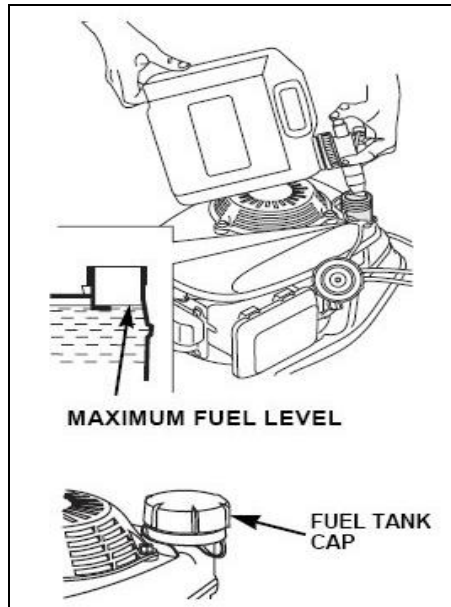


FUEL



NOTICE: Engine delivered without gasoline; refuel 1.0 liter of before starting the engine.

- Remove the filler cap.
- Add fuel to the bottom of the fuel level limit in the neck of the fuel tank. Do not overfill. Wipe up spilled fuel before starting the engine.
- Tighten the fuel tank cap

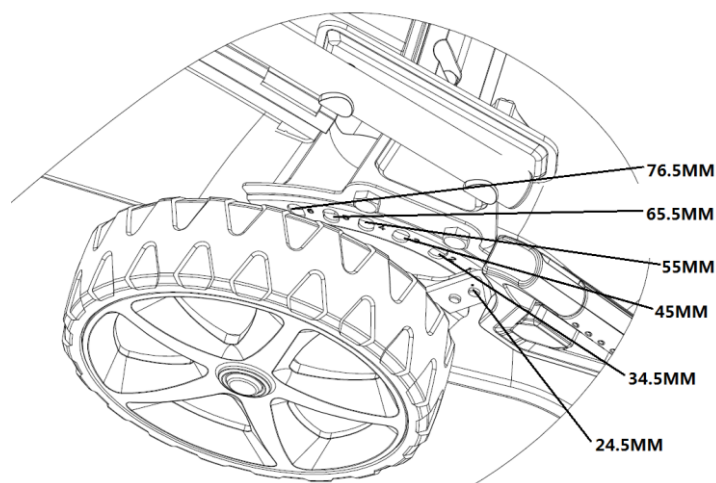


WARNING: Gasoline is extremely flammable, and gasoline vapor can explode, causing serious injury or death. Use extreme care when handling gasoline. Keep out of reach of children. Refuel in a well-ventilated area with the engine stopped. Do not smoke or allow flames or sparks in the area where the engine is refueled or where gasoline is stored. Avoid repeated or prolonged contact with skin or breathing of vapor. After refueling, tighten the fuel tank cap securely. If any fuel was spilled, make sure the area is dry before starting the engine

Cutting Height Adjustment

Check the cutting height settings, and make any necessary adjustments.

- The cutting height (the blade to the ground) can be adjusted from 25 mm to 75 mm.
- Stop the lawn mower and disconnect spark plug cable before changing mower cutting height.
- The central height adjustment lever offers you 6 different height positions.
- To change the height of cut, squeeze the adjuster lever towards the wheel, moving up or down to selected height.



WARNING: The blade can cause serious injury. Stop the engine before adjusting cutting height.

5. OPERATION

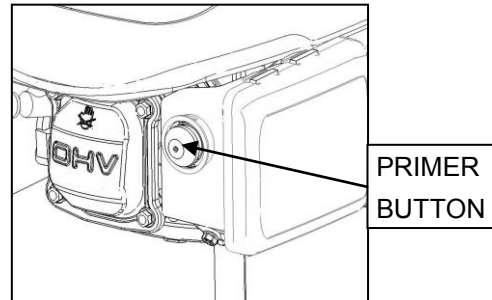
Starting the engine

- Primer Button

In cold condition, it's necessary to push the primer button on the air filter before pulling the starter handle.

Primer only for cool engine use

Temperature	Push time
<0°C	3~4
0°C~10°C	2~3
10°C~20°C	1~2
>20°C	1

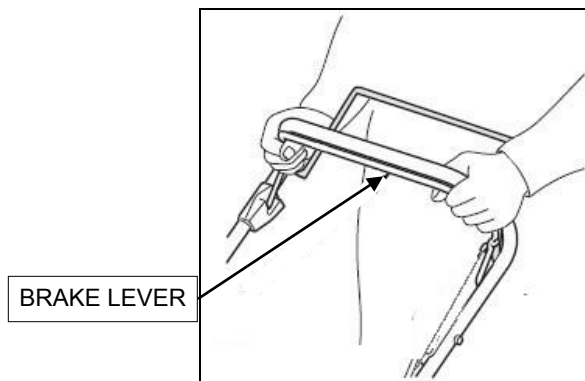


You also should put more fuel to mix air for easy start. When you push the primer button, it will pump the fuel direct from carburetor to burning house.

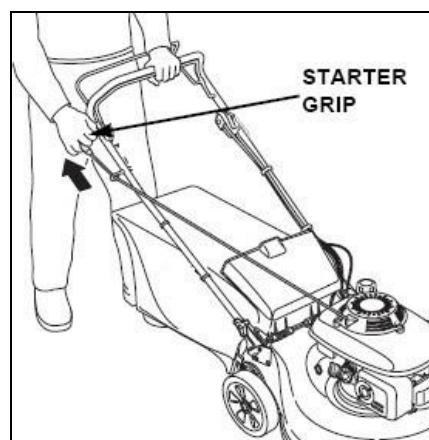


NOTICE: In cold condition it may be necessary to repeat priming steps for starting the engine.

- Pull back on the brake lever and hold it against the handle.

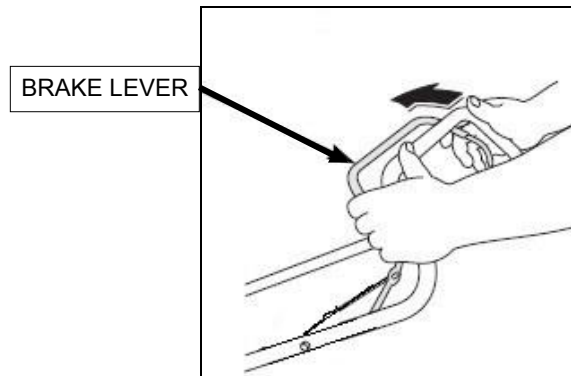


- With the starter handle in its support, take the starter handle with your right hand and pull slowly as far as to have a resistance, and then pull energetically on the starter handle with starter rope through the support. (If the cold start is not sufficient enough, repeat this operation 2 or 3 times)



Stop engine

- Release the brake lever.



WARNING: The blade will continue to rotate for a few seconds after the engine has stopped. Disconnect the spark plug cap if the lawn mower is to be left unattended.

6. MAINTENANCE



IMPORTANT: Regular, careful maintenance is essential for keeping the safety level and original performance of the machine unchanged in time.

- Keep all nuts, bolts and screws tight to be sure the equipment is in safe working condition. Regular maintenance is essential for safety and performance.
- Never store the equipment with fuel in the tank inside a building where vapor may reach a flame or a spark or a source of extreme heat.
- Allow the engine to cool before storing in an enclosed space.
- To reduce the fire hazard, keep the engine, exhaust silencer, battery compartment and fuel storage area free of grass, leaves, or excessive grease. Do not leave containers with grass cuttings in rooms.
- For reasons of safety, do not use the equipment with worn or damaged parts. Parts are to be replaced and not repaired. Use genuine spare parts (blades should always bear the symbol). Parts that are not of the same quality can damage the equipment and be dangerous for your safety.
- If the fuel tank has to be drained, this should be done outdoors and when the engine is cool.
- Wear strong work gloves when removing and reassembling the blade.
- Check the blade's balance after sharpening.
- Check the self-closing guard and grass-catcher frequently for wear and deterioration.
- Whenever the machine is to be handled, transported or tilted you must:
 - Wear strong working gloves.
 - Grasp the machine at the points that offer a safe grip, taking account of the weight and its distribution.

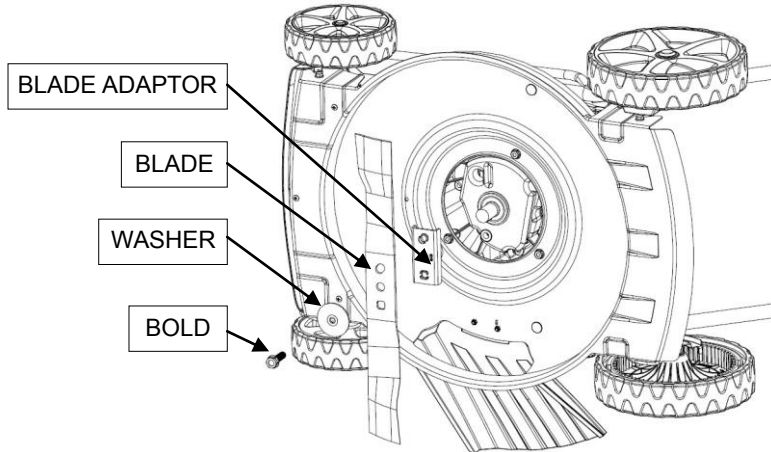
Blade Inspection

- Tilt the lawn mower to the right, so the air cleaner side is up. This will help to prevent fuel leakage and hard starting.
- Inspect the blade for damage, cracks and excessive rust or corrosion.
A dull blade can be sharpened, but a blade that is excessively worn, bent, cracked, or otherwise damaged must be replaced.
- A torque wrench must always be used when installing the blade.
Check that the blade bolts are tight.

Removal and installation

If you remove the blade for sharpening or replacement, you will need a torque wrench for installation. Wear heavy gloves to protect your hands.

- Remove the bolt with a socket wrench. Use a wooden block to prevent the blade from turning when removing the bolt. Then remove the blade.
- Install the blade using the blade bolt and special washers. Be sure to install the special washers with the concave side toward the blade and the convex side toward the bolt.
- Tighten the blade bolt with a torque wrench. Use a wooden block to prevent the blade from turning when tightening the bolt

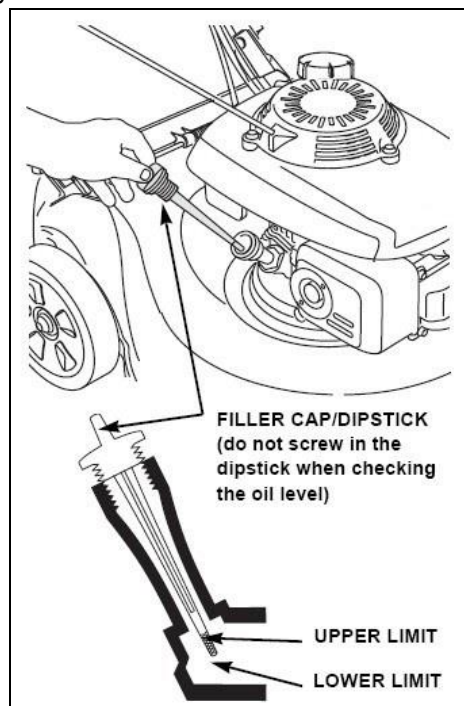


Engine Maintenance

- Check Engine Oil Level

Check the engine oil level with the engine stopped and the mower.

- Remove the oil filler cap, and wipe the dipstick clean.
- Insert the dipstick into the oil filler neck, but do not screw it in.
- Check the oil level shown on the dipstick. If near the lower, fill to the upper level with the oil. Do not overfill.
- Screw in the filler cap securely.





NOTICE: Running the engine with a low oil level will cause engine damage.

- Change Engine Oil

Drain the used oil while the engine is warm. Warm oil drains quickly and completely.

- Wipe the oil filler area clean, and then remove the oil filler cap/dipstick.
- Place a suitable container next to the mower to catch the used oil, and then tilt the mower on its right side. The used oil will drain through the filler neck. Allow the oil to drain completely.

Please dispose of used motor oil and the containers in a manner that is compatible with the environment. We suggest you take it in a sealed container to your local recycling center or service station for reclamation. Do not throw it in the trash, pour it on the ground, or pour it down a drain.

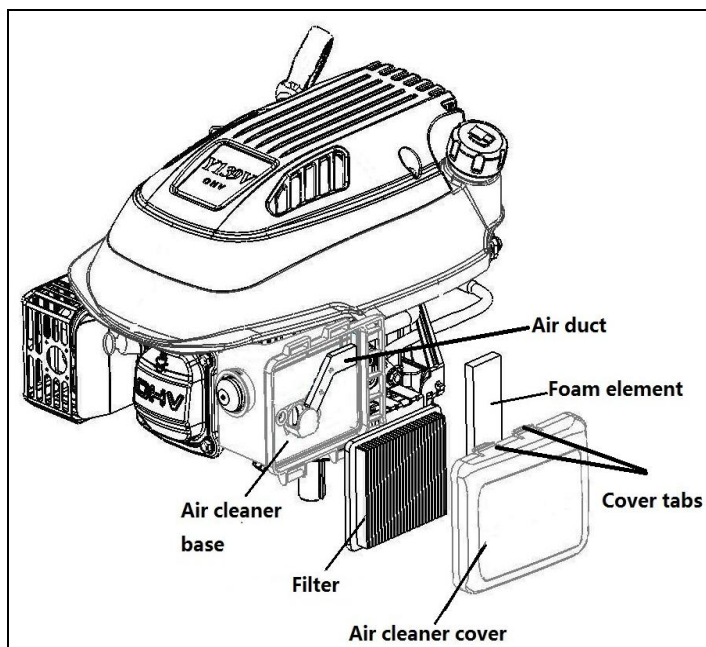
- Fill with the recommended oil. Do not overfill. Allow a couple of minutes for the oil to settle in the engine, then measure the oil level.

- Air Cleaner Service



NOTICE: Operating the engine without an air cleaner, or with a damaged air cleaner, will allow dirt to enter the engine, causing rapid engine wear.

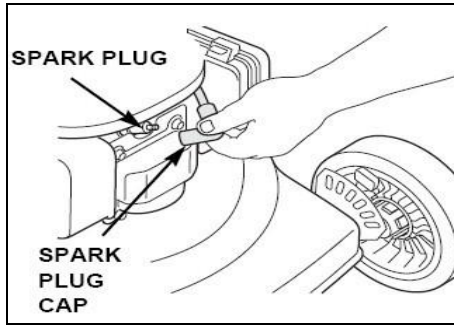
- Press down on the cover tabs and remove the cover.
- Remove the filter from the air cleaner base.
- Inspect the filter and foam element, and replace it if damaged.
- Clean the filter by tapping it several times on a hard surface to remove dirt, or blow compressed air through the air filter from the inside. Never try to brush off dirt; brushing will force dirt into the fibers.
- Wipe dirt from the inside of the air cleaner base and cover, using a moist rag. Be careful to prevent dirt from entering the air duct that leads to the carburetor.
- Reinstall the filter and cover.



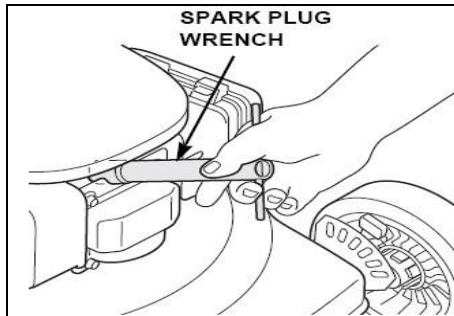
- Spark Plug Service

For good performance, the spark plug must be properly gapped and free of deposits.

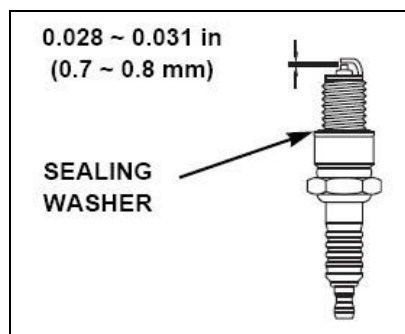
- Disconnect the spark plug cap and remove any dirt from around the spark plug area.



- Remove the spark plug with a spark plug wrench



- Inspect the spark plug. Replace it if the electrodes are worn, or if the insulator is cracked or chipped.
- Measure the spark plug electrode gap with a suitable gauge. The gap should be 0.028 ~ 0.031 inch (0.7 ~ 0.8mm). Correct the gap, if necessary, by carefully bending the side electrode with a suitable tool.



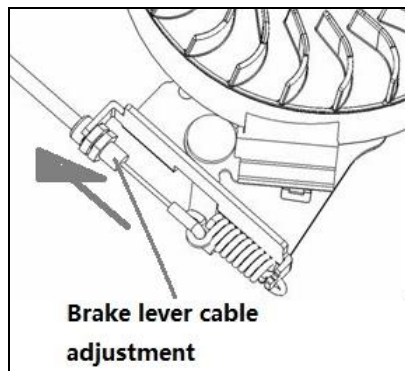
- Install the spark plug carefully, by hand, to avoid cross-threading.
- Install the spark plug cap on the spark plug.



NOTICE: A loose spark plug can overheat and damage the engine. Over tightening the spark plug can damage the threads in the cylinder head.

Brake lever cable adjustment

- If the brake lever were loose, you should turn the brake cable adjustment to tighten. (please see the picture)



Maintenance Schedule

REGULAR SERVICE PERIOD		Before each use	First month or 5 hrs.	Every 3 months or 25 hrs.	Every 6 months or 50 hrs.	Every year or 100 hrs.	Every two years or 250 hrs.
ITEM Perform at every indicated month or operating hour interval, whichever comes first (1)							
Engine oil	Check	○					
	Replace		○	○(2)			
Air cleaner	Check		○				
	Replace			○(3)			
Spark plug	Check-adjust					○	
	Replace						○
Flywheel brake pad (A types)	Check					○	
Fuel tank and filter	Clean			○			
Fuel tube	Check	Every 2 years (Replace if necessary)					
Valve clearance	Check-adjust					○	
Combustion chamber	Clean	After every 200 hours					

(1) For commercial use, log hours of operation to determine proper maintenance intervals.

(2) Change engine oil every 25 hours when used under heavy load or in high ambient temperatures.

(3) Service more frequently when used in dusty areas.

Trouble Shooting

ENGINE WILL NOT START	Possible Cause	Correction
1. Check fuel	Out of fuel.	Refuel
	Bad fuel; engine stored without treating or draining gasoline, or refueled with bad gasoline	Drain the fuel tank and carburetor. Refuel with fresh gasoline
2. Remove and inspect spark plug	Spark plug faulty, fouled, or improperly gapped.	Replace the spark plug
	Spark plug wet with fuel (flooded engine).	Dry and reinstall spark plug

3. Take engine to an authorized our servicing dealer, or refer to shop manual	Fuel filter clogged, carburetor malfunction, ignition malfunction, valves stuck, etc.	Replace or repair faulty components as necessary
4. Push the prime button	In cold condition	Push the primer button
ENGINE LACKS POWER	Possible Cause	Correction
1. Check air cleaner	Air cleaner elements clogged	Clean or replace air cleaner elements
2. Check fuel	Bad fuel; engine stored without treating or draining gasoline, of refueled with bad gasoline	Drain the fuel tank and carburetor. Refuel with fresh gasoline
3. Take engine to an authorized our servicing dealer, or refer to shop manual	Fuel filter clogged, carburetor malfunction, ignition malfunction, valves stuck, etc.	Replace or repair faulty components as necessary

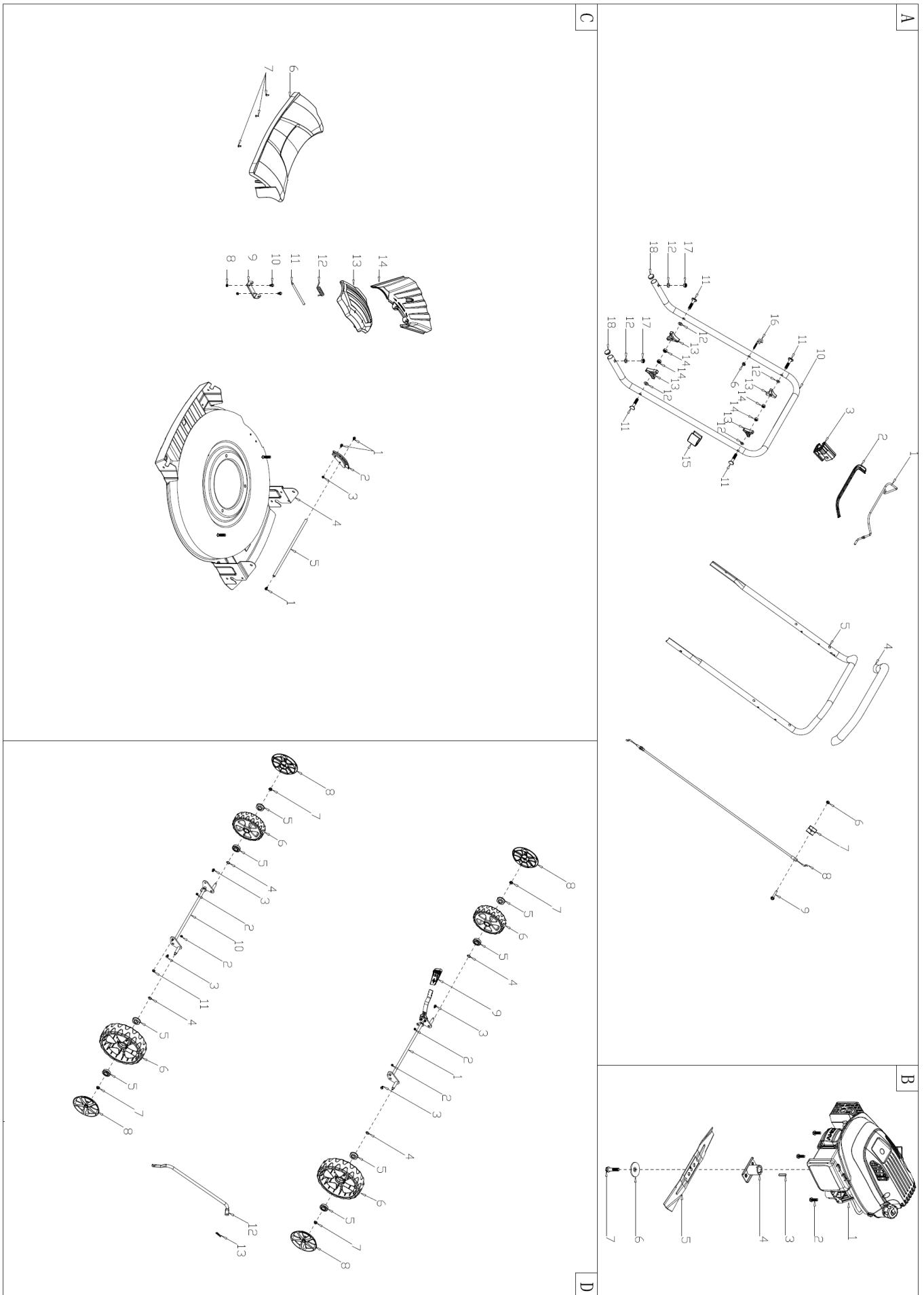
7. Storage

- The same petrol must not remain in the tank for more than one month.
- Thoroughly clean the mower and store it indoors in a dry place.
- Never store the lawnmower with fuel in the tank inside a building where can reach an open flame or spark.
- To reduce fire hazard, keep the engine, muffler, battery compartment and fuel storage area free of grass, leaves or excessive grease.
- If the fuel tank has to be drained, this should be done outdoors.
- Be careful during adjustment of the machine to prevent entrapment of the fingers between moving blade and fixed parts of the machine.
- Allow the product to cool for at least 30 minutes before storing.

8. ENVIRONMENT

Should your machine need replacement after extended use, do not put it in the domestic waste but dispose of it in an environmentally safe way.

9. EXPLODE DRAWING



10. PART LIST

Pos. no.	Part No.	Description	Specification	Remark	Qty
A	Part A				
A-1	G3354000001	Brake Lever	Q235	Ø7.5mm	1
A-2	G33Q0000014	Plastic Decoration	ABS, G46	P 109C	1
A-3	G3XW0000000	Limiting Stopper	PA66		1
A-4	G3320000000	Foam Pipe	NBR	20x510x3mm	1
A-5	G333F000001	Upper Handle	Q235	Ø22/t=1.35	1
A-6	B2011B00000	Nut		M6	2
A-7	G339X300000	Cable Fixing Clamp	PA66+GAF		1
A-8	G339XX60000	Brake Cable	G339XX60000		1
A-9	B1066B06032	Bolt		M6x32	1
A-10	G83B1000001	Lower Handle	Q235	Ø22/t=1.35	1
A-11	B1083W08045	Bolt		M8x45	4
A-12	B5019W00000	Flat Washer		Ø8.5xØ16x1.5mm	6
A-13	G33C1100010	Knob	PP		4
A-14	B2020W00000	Nut		M8	4
A-15	G33H0000000	Cable Support	PP		1
A-16	G33K0000000	Rope Guide	Q235	Ø6mm	1
A-17	B2009W00000	Nut		M8	2
A-18	G33J0000000	Handle Plug	PP		2
B	Part B				
B-1	Y2P5S000010	Y139V Engine	139CC		1
B-2	B1077W08025	Bolt		M8x25	3
B-3	BE004W00000	Flat Key	#45	4.775x5x20mm	1
B-4	G8530000000	Blade adapter	Q235		1
B-5	G8510000000	20" Blade	40MnB	t=3.5mm	1
B-6	G3520000000	Blade Washer	65Mn	t=3mm	1
B-7	B1001B00032	Blade Bolt	20Cr	3/8-24UNFx32	1
C	Part C				
C-1	B1057W06010	Bolt M6*10		M6x10	2
C-2	G84BC000000	Height Adjustment Plate	Q235		1
C-3	B2008W00000	Nut		M6	1
C-4	G8213000001	Deck		St 1.5	1
C-5	G8XY0000000	Connecting Rod	Q235		1
C-6	G8240000010	Front Plastic Face	PP		1
C-7	B3023W00000	Screw		ST 4.8x15-C	3
C-8	B2007W00000	Nut		M5	2
C-9	G3250000000	Side Discharge Bracket	Q235	t=2mm	1
C-10	B1052W05010	Bolt		M5x10	2
C-11	G5260000000	Side Discharge Cover Shaft	Q235	Ø6mm	1
C-12	G8270000000	Side Discharge Cover Spring			1

C-13	G8280000000	Side Discharge Cover	PP		1
C-14	G8290000000	Side-Discharge Guiding Board	PP		1
D	Part D				
D-1	G8490000000	Rear Wheel Shaft Assy	Q235		1
D-2	B2008W00000	Nut		M6	4
D-3	B1058W06012	Bolt		M6x12	4
D-4	B6009B00000	Spring Washer	65Mn	Ø13xØ23.5x0.3x2.5mm	4
D-5	B0019W00000	Bearing		12,7x28,6x8mm	8
D-6	G24F0000000	7" Wheel	PVC+PP	G42	4
D-7	B2017W00000	Nut		M8	4
D-8	G24R2000014	7" Wheel Cover	PP, G42	P 109C	4
D-9	G3431000014	Height Adjustment Handle	PP	P 109C	1
D-10	G8450000000	Front Wheel Shaft	Q235		1
D-11	B2016W00000	Nut		M6	1
D-12	G8410000000	Height Adjustment Connecting Rod	Q235	Ø14/t=1,35mm	1
D-13	BB004W00000	Split Pin		Ø2x20mm	1

11. EU DECLARATION OF CONFORMITY

We,

Kesko Corporation Group Companies,

Address: Satamakatu 3, FI-00160, Helsinki, Finland

Telefon: +358-10 53032 Fax: +358-9 857 4783

declare under our sole responsibility that the following product,

Equipment: Gasoline Lawn Mower

Brand name: FXA

Model/type: 501741207 / GL51YL-B

is in conformity with the

Machine Directive (MD) 2006/42 EC

Electromagnetic Compatibility Directive (EMC) 2014/30/EU

Noise Directive 2000/14/EC, amended by 2005/88/EC, Annex VI

and the following harmonized standards and technical specifications have been applied:

EN ISO 5395-1:2013

EN ISO 5395-2:2013

EN ISO 14982:2009

Model:	501741207 / GL51YL-B
Measured sound power level Guaranteed Sound Power level (According to 2000/14/EC)	94.60 dB(A) – K=0.44 dB 98 dB(A)

Helsinki, Finland, June, 2016

Notified body: Société Nationale de Certification et d'Homologation. No.: 0499

Address: BP 23, L-5201 Sandweiler

Kesko Corporation Group Companies,



Guotao Sun-Own Brand Sourcing and Development Director

FXA

Bensiinikäyttöinen ruohonleikkuri

OHJEKIRJA

Malli 501741207 / GL51YL-B

HUOMIO! Lue kaikki turvallisuusohjeet ja muut ohjeet ennen tämän laitteen käyttöä ja noudata niitä.

CE 2016

Kesko-ryhmän yritykset

Osoite: Satamakatu 3, FI-00160, Helsinki, Suomi

Puhelin: +358-10 53032 Faksi: +358-9 857 4783

Käännös alkuperäisestä:501741207 / GL51YL-B

Hyvä asiakas

Kiitos, että valitsit bensiinikäyttöisen ruohonleikkurimme. Jotta bensiinikäyttöinen ruohonleikkurisi toimisi parhaalla mahdollisella tavalla, lue kaikki turvallisuutta ja käyttöä koskevat ohjeet huolellisesti ennen laitteen käytön aloittamista.

Perehdy ruohonleikkuriin ja sen toimintaan aina ennen sen käyttöä. Säilytä ohjekirja turvallisessa paikassa myöhempää käyttöä varten, jotta kaikki tiedot ovat aina käytettävissä. Anna ohjekirja ja turvallisuusohjeet laitteen mukana silloin, kun luovutat laitteen toiselle henkilölle.

Käyttötarkoitus

Laitetta voidaan käyttää ainoastaan sen määriteltyyn käyttötarkoitukseen. Kaikki muu käyttö katsotaan väärinkäytöksi. Käyttäjä/laitteen käyttäjä – ei valmistaja – on vastuussa kaikista siitä seuraavista vahingoista ja loukkaantumisista.

Bensiinikäyttöinen ruohonleikkuri on tarkoitettu yksityiskäyttöön, eli kotona ja pihalla tapahtuvaan käyttöön.

Ruohonleikkurin yksityiskäyttö tarkoittaa sitä, että vuosittainen ruohonleikkurin käyttöaika ei ylitä 50 käyttötuntia, ja että ruohonleikkuria käytetään ensisijaisesti pienten nurmikkoalueiden hoitoon ja kotipihan hoitoon. Ruohonleikkurin käyttö julkisten alueiden tai urheiluhallien nurmikon leikkaamiseen tai maatalous/metsätaloukseen ei ole tällaista käyttöä.

Muista, että laitteitamme ei ole suunniteltu kaupalliseen, yritys- tai teollisuuskäyttöön. Takuu mitätöityy, jos laitetta käytetään kaupalliseen, yritys- tai teollisuuskäyttöön tai vastaaviin käyttötarkoituksiin.

Valmistajan antama ohjekirja on säilytettävä ruohonleikkurin käyttöä varten ja siihen on perehdyttävä ruohonleikkurin asianmukaisen käytön ja kunnossapidon varmistamiseksi. Ohjekirjassa on tärkeää tietoa ruohonleikkurin toiminnasta, kunnossapidosta sekä huollosta.

Tärkeää! Ruohonleikkurin käyttäjän suuren loukkaantumisvaaran vuoksi ruohonleikkuria ei saa käyttää pensaiden, pensasaitojen, porrastettujen nurmikkoalueiden, turvekattojen tai parvekkeen nurmikkopohjan hoitoon tai lian ja roskien poistamiseen jalkakäytäviltä tai oksien tai pensasaidan oksien silppuamiseen. Ruohonleikkuria ei saa käyttää myöskään maan muokkaamiseen, esimerkiksi myyränkolojen täyttämiseen.

Turvallisuussyistä ruohonleikkuria ei saa käyttää muiden työkalujen tai työkalupakkausten kuljettamiseen.

SISÄLLYSLUETTELO

1. TURVALLISUUSTEKSTIT
2. KOKOAMINEN
3. TEKNISET TIEDOT
4. ENNEN KÄYTTÖÄ
5. TOIMINTA
6. KUNNOSSAPITO
7. VARASTOINTI
8. YMPÄRISTÖ
9. RÄJÄHDYSKAAVIO
10. OSALUETTELO
11. VAATIMUSTENMUKAISUUSVAKUUTUS

1. TURVALLISUUSTEKSTIT

Laitteen käyttäjän ja sivullisten turvallisuus on ehdottoman tärkeää. Ohjekirjassa ja ruohonleikkurissa on tärkeitä turvallisuustekstejä. Tekstit kertovat mahdollisista vaaroista, jotka voivat vaarantaa oman ja muiden turvallisuuden. Lue turvallisuustekstit huolellisesti.

Kaikista ruohonleikkurin käyttöön tai huoltoon liittyvistä vaaroista ei pystytä kuitenkaan varoittamaan. Käytä tervettä järkeä.

Tärkeää tietoa turvallisuudesta annetaan useassa eri muodossa:

Turvallisuusmerkit – löytyvät ruohonleikkurista.

Ohjeet – tietoa ruohonleikkurin asianmukaisesta ja turvallisesta käytöstä.



Tärkeää! Lue ohjekirja ennen laitteen käytön aloittamista.




Ruohonleikkurista sinkoutuviin esineisiin liittyvät vaarat. Varmista, että sivulliset pysyttelevät turvallisen etäisyyden päässä ruohonleikkuria käytettäessä.



Varoitus! Irrota sytytystulpan hattu sytytystulpasta ja lue ohjeet ennen minkäänlaisten korjausten tai kunnossapidon aloittamista.



Leikkautumisvaara! Liikkuvat terät. Älä työnnä käsiä tai jalkoja teräkoonpanon lähelle tai alle.

Turvallisuustekstit – tekstin edessä on kuva  ja jokin kolmesta varoitussanasta: **VAARA, VAROITUS tai HUOMIO.**



VAARA! Ohjeiden noudattamatta jättäminen johtaa kuolemaan tai vakavaan loukkaantumiseen.



VAROITUS! Ohjeiden noudattamatta jättäminen johtaa kuolemaan tai vakavaan loukkaantumiseen.



HUOMIO! Ohjeiden noudattamatta jättäminen johtaa loukkaantumiseen.

Kaikissa teksteissä kuvaillaan ohjeiden noudattamatta jättämisen seurauksia sekä annetaan ohjeita seurauksien välttämiseksi tai vähentämiseksi.

YLEISET KÄYTTÖEHDOT

- Laite on tarkoitettu yksinomaan luonnollisen ruohon leikkaamiseen. Älä koskaan käytä ruohonleikkuria mihinkään muuhun tarkoitukseen. Kaikki muu käyttö voi vaarantaa turvallisuutesi ja vahingoittaa ruohonleikkuria.
- Alle 16-vuotiaat sekä henkilöt, jotka eivät ole perehtyneet ohjekirjaan, eivät saa käyttää ruohonleikkuria.
- Käyttäjä vastaa muiden, ruohonleikkurin käyttöalueella viipyvien henkilöiden turvallisuudesta. Lapset ja lemmikit on pidettävä turvallisen etäisyyden päässä ruohonleikkurista käytön aikana.
- Poista kaikki vieraat esineet ruohikolta ennen ruohon leikkaamista, sillä tällaiset esineet voivat sinkoutua ulos ruohonleikkurista, jos niitä ei kerätä pois.

Käyttötiedot

- Tarkista, että kaikki pultit, mutterit ja ruuvit on kiristetty hyvin.
- Aseta leikkuujätteen keruusäkki paikoilleen ennen ruohonleikkurin käynnistämistä.
- Varmista, että terä ja terän kiinnitysruuvi ovat kiristetyt hyvin. Ruohonleikkurin terät on tarvittaessa teroitettava tasaisesti molemmilta puolilta terän epätasapainon välttämiseksi. Vaurioitunut terä on vaihdettava.
- Ruohoa leikattaessa on aina käytettävä pitkiä housuja ja tukevatekoisia jalkineita.
- Älä anna moottorin käydä suljetuissa tiloissa ja/tai tiloissa, joissa on puutteellinen ilmanvaihto, sillä pakokaasu sisältää terveydelle vaarallista häkää.
- Varmista aina riittävä valaistus.
- Älä käytä ruohonleikkuria sateessa tai leikkaa märkää ruohoa.
- Erytystä varovaisuutta on noudatettava rinteiltä tai kaltevilta pinnoilta ruohoa leikattaessa. Leikkaa ruoho aina viistoon rinnettä pitkin – älä koskaan suoraan alas tai ylöspäin.
- Sammuta moottori, jos jätät ruohonleikkurin ilman valvontaa, siirrä ruohonleikkuri sivuun tai pois kaltevalta pinnalta.
- Älä koskaan nosta ruohonleikkurin takaosaa moottoria käynnistettäessä tai työnnä käsiä tai jalkoja kannen alle tai leikkuujätteen poistoaukkoon moottorin ollessa käynnissä.
- Älä koskaan yritä muuttaa moottorin luokiteltua pyörimisnopeutta millään lailla.
- Kytke veto pois päältä itsevetävistä ruohonleikkureista ennen moottorin käynnistämistä.
- Älä koskaan nosta tai kanna ruohonleikkuria moottorin ollessa käynnissä.
- Sammuta moottori ja irrota sytytystulpan hattu seuraavissa tapauksissa:
 - Aina ennen minkäänlaisten ruohonleikkurin kannen tai leikkuujätteen poistoaukon sisällä

tehtävien toimenpiteiden suorittamista.

- Ennen mitä tahansa ruohonleikkurin huoltoa, korjaamista tai tarkastuksia.
- Ennen ruohonleikkurin kantamista, nostamista tai siirtämistä.
- Jos ruohonleikkuri jätetään ilman valvontaa tai leikkauskorkeutta säädetään.
- Leikkuujätteen keruusäkin irrottamista ja tyhjentämistä varten.
- Jos ruohonleikkuri törmää käytön aikana johonkin esineeseen, sammuta moottori ja tarkasta ruohonleikkuri huolellisesti mahdollisten vaurioiden varalta. Vie ruohonleikkuri tarvittaessa korjattavaksi valtuutettuun huoltoliikkeeseen.



VAROITUS! Ruohonleikkurin terä pyörii muutaman sekunnin ajan moottorin sammuttamisen jälkeen.

- Jos ruohonleikkuri tärisee poikkeavalla tavalla, selvitä syy ja vie ruohonleikkuri korjattavaksi valtuutettuun huoltoon.
- Tarkista kaikkien pulttien, muttereiden ja ruuvien kireys säännöllisesti varmistaaksesi ruohonleikkurin turvallisen käytön.

● **BENSIINI ON ERITTÄIN HERKÄSTI SYTTYVÄÄ**

- Säilytä bensiiniä vastaavaan tarkoitukseen suunnitellussa kanisterissa.
- Käytä suppiloa bensiiniä lisätessäsi, ja tee se ulkona. Tupakointi on kielletty. Älä käytä myöskään matkapuhelinta.
- Lisää bensiini ja öljy ennen moottorin käynnistämistä. Älä koskaan avaa polttoainesäiliön korkkia lisätäkseen bensiiniä säiliöön silloin, kun ruohonleikkuri on käynnissä tai moottori on vielä kuuma.
- Älä käynnistä ruohonleikkuria, jos bensiiniä on roiskunut. Vie ruohonleikkuri pois paikalta ja varmista, että ruohonleikkuri ei altistu kuumuudelle ennen kuin polttoaineen roiskeet ovat haihtuneet kokonaan.
- Kierrä polttoainesäiliön korkki tiiviisti paikoilleen ja sulje kanisterin korkki.

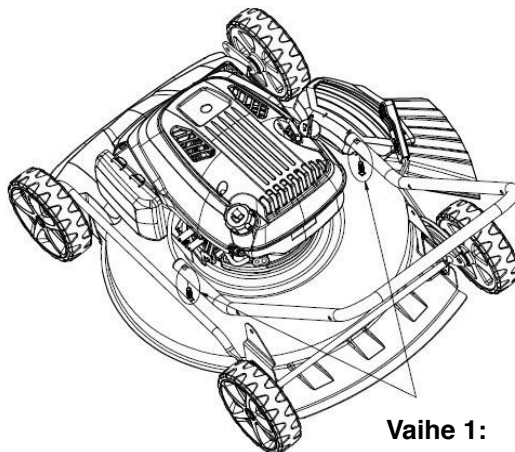
2. KOKOAMINEN

Pakkauksen purkaminen

Nosta ruohonleikkuri pois laatikosta ja tarkasta se huolellisesti mahdollisten irtonaisten osien varalta.

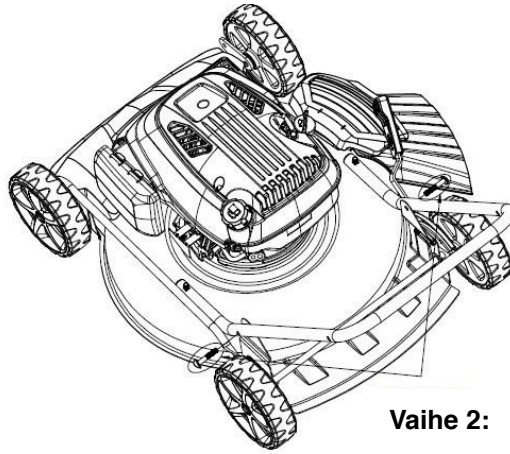
Ohjaustangon asennus

Vaihe 1: Aseta ohjaustangon alempi osa alustaan.



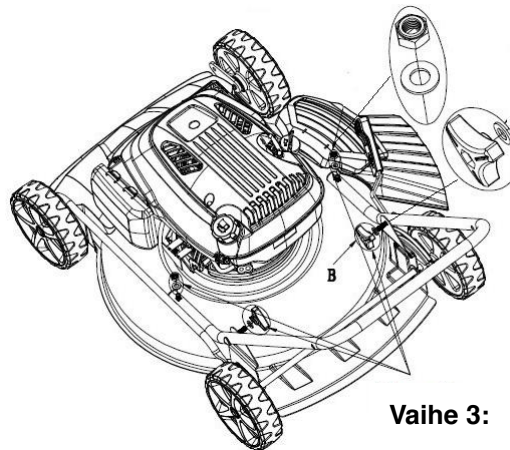
Vaihe 1:

Vaihe 2: Työnnä molemmat pultit aukkoihin.



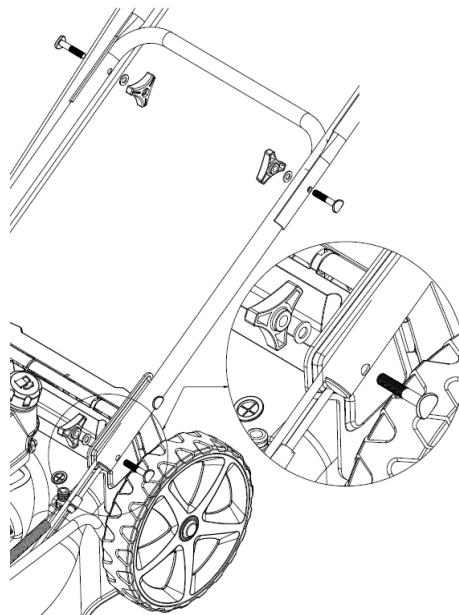
Vaihe 2:

Vaihe 3: Kiristä molemmat nupit ja ruuvit.



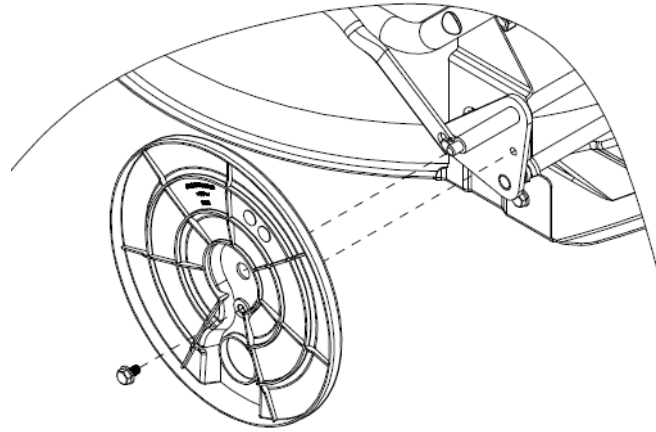
Vaihe 3:

Vaihe 4: Ruuvaa ohjaustangon ylemmät osat paikoilleen pulteilla ja nupeilla. Aseta käynnistin ohjaustangon oikealle puolelle ja kiinnitä vaijeri muovikiinnikkeellä.



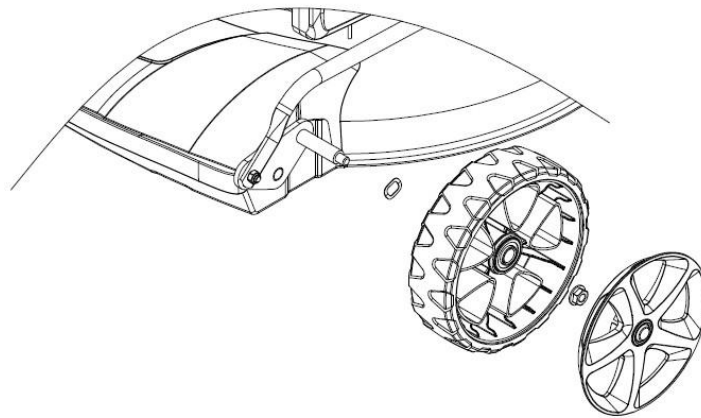
Takapyörän sisäpuolisen pölykapselin asennus

- Asenna pölykapseli kuvan osoittamalla tavalla.



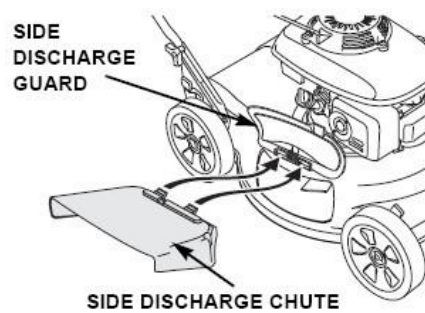
Pyörien asennus

- Aseta pyörät vastaaviin akseleihin, kiristä mutterit ja kiinnitä pölykapselit pyöriin.



Sivupoistoaukon kannen asennus

- Nosta sivupoistoaukon suojus ylös ja asenna sivupoistoaukon suuntauslevy.



SIDE DISCHARGE GUARD	SIVUPOISTOAUKON KANSI
SIDE DISCHARGE CHUTE	SIVUPOISTOAUKON SUUNTAUSLEVY

Vain silppuaminen Irrota sivupoistoaukon suuntauslevy.

3. TEKNISET TIEDOT

Malli	501741207 / GL51YL-B
Moottorin tyyppi	Y139V
Moottorin iskutilavuus	139 cm ³
Nimellisteho	2,6 kW
Leikkuuleveys	508 mm
Moottorin luokiteltu pyörimisnopeus	2800 1/min
Polttoainesäiliön tilavuus	1,0 l
Nettopaino	26,50 kg
Korkeudensäätö	25–75 mm, 6 säätöä

Laitteen käyttäjän paikalla mitattu äänenpaine (standardin EN ISO 5395-1 liitteen F ja standardien EN ISO 5395-2 ja EN ISO 4871 mukaan)	81,40 dB (A) K = 2,50 dB
Mitattu äänitehotaso Taattu äänitehotaso (2000/14/EY mukaan)	94,60 dB(A) – K = 0,44 dB 98 dB(A)
Tärinä (standardin EN ISO 5395-1 liitteen G ja standardin EN ISO 5395-2 mukaan)	8,802 m/s ² K = 1,5 m/s ²

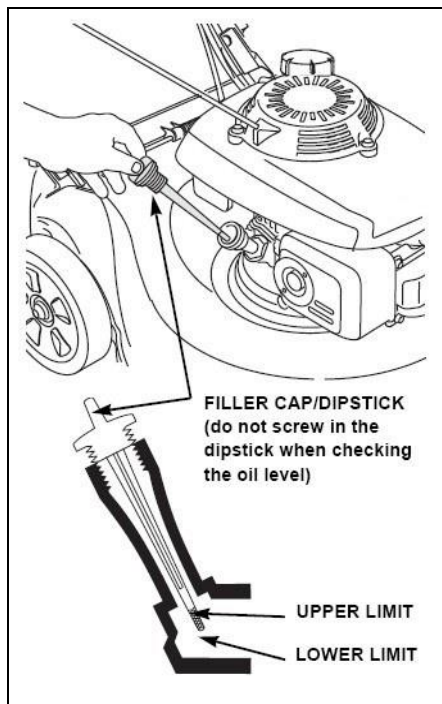
4. ENNEN KÄYTTÖÄ

Moottoriöljy

Ruohonleikkurin moottoriin ei ole lisätty öljyä valmiiksi.

Kaikki moottorit koekäytetään tehtaalla ennen pakkaamista. Suurin osa öljystä poistetaan ennen tehtaalta lähettämistä, mutta moottoriin jää kuitenkin jonkin verran öljyä. Moottoriin jäljelle jääneen öljyn määrä voi vaihdella.

Lisää öljyä sen verran, että öljynpinta jää öljytikun ylä- ja alamerkin väliin. Älä lisää moottoriin liikaa öljyä.



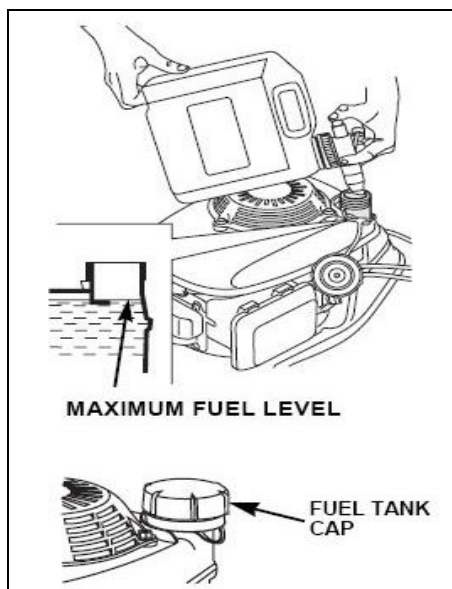
FILLER CAP/DIPSTICK (do not screw in the dipstick when checking the oil level)	TÄYTTÖAUKON KORKKI/MITTATIKKU (älä kierrä mittatikku kiinni tarkistettaessa)
UPPER LIMIT	YLÄRAJA
LOWER LIMIT	ALARAJA

POLTTOAINE



HUOMAUTUS. Ruohonleikkuri toimitetaan polttoainesäiliö tyhjänä. Lisää polttoainesäiliöön 0,80 litra polttoainetta ennen moottorin käynnistämistä.

- Irrota täyttöaukon korkki.
- Lisää polttoainetta polttoainesäiliön kaulan alaosassa olevaan merkkiin saakka. Älä ylitäytä. Pyyhi roiskeet pois ennen moottorin käynnistämistä.
- Kierrä täyttöaukon korkki takaisin paikoilleen.



MAXIMUM FUEL LEVEL	POLTTOAINEEN MAKSIMIMÄÄRÄÄ
FUEL TANK CAP	POLTTOAINESÄILIÖN TÄYTTÖAUKON KORKKI



VAROITUS! Polttoaine on erittäin herkästi syttyvää, ja polttoainehöyry voi räjähtää ja aiheuttaa vakavan loukkaantumisen tai johtaa kuolemaan. Ole erittäin varovainen käsitellessäsi bensiiniä. Pidä laite pois lasten ulottuvilta.

Tankkaa hyvin tuulettuvassa paikassa moottori pysäytettynä. Älä tupakoi tai salli avotulta tai kipinöintiä paikassa, jossa konetta tankataan tai jossa bensiiniä varastoidaan. Vältä toistuvaa tai pitkittynyttä

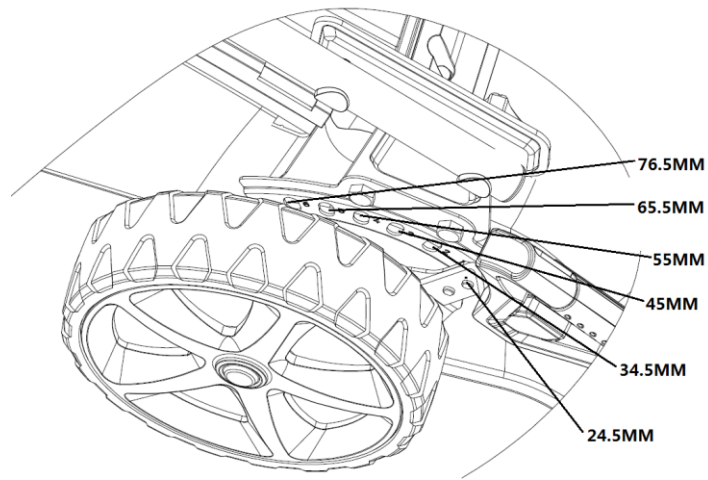
ihokosketusta tai höyryn hengittämistä.

Kierrä polttoainesäiliön korkki huolellisesti takaisin paikoilleen säiliön täyttämisen jälkeen. Jos polttoainetta on roiskunut, varmista että roiskeet ovat kuivuneet tai pyyhitty pois ennen moottorin käynnistämistä.

Leikkauskorkeuden säätö

Tarkista leikkauskorkeus ja säädä sitä tarvittaessa.

- Leikkauskorkeutta (terän maavara) voidaan säätää välillä 25–75 mm.
- Sammuta ruohonleikkuri ja irrota sytytystulpan hattu ennen ruohonleikkurin leikkauskorkeuden säätöä.
- Keskiosan leikkauskorkeus voidaan säätää 6 eri asentoon.
- Leikkauskorkeutta säädetään työntämällä säätövipua kohti pyörää ja siirtämällä sitä ylöspäin sopivaan korkeuteen.



VAROITUS! Terä voi aiheuttaa vakavia vammoja. Sammuta moottori ennen leikkauskorkeuden säätämistä.

5. TOIMINTA

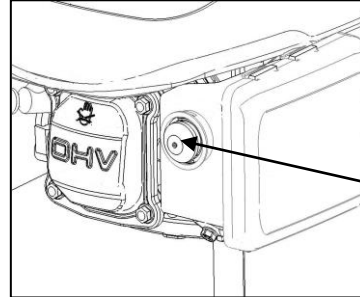
Moottorin käynnistäminen

- Käynnistystäyttönuppi

Kylmäkäynnistettäessä ilmansuodattimen käynnistystäyttönuppia on painettava ennen käynnistyskahvasta vetämistä.

Käynnistystäyttönuppi on tarkoitettu ainoastaan kylmän moottorin käynnistämiseen.

Lämpötila	Paina nuppia ... kertaa
<0 °C	3–4
0 °C–10 °C	2–3
10 °C–20 °C	1–2
>20 °C	1



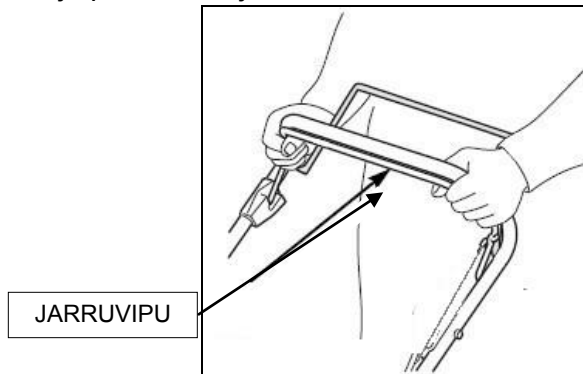
KÄYNNISTYSTÄYTTÖ-
NUPPI

Käynnistykseen helpottamiseksi polttoaineen osuutta voi myös nostaa imuilmassa. Käynnistystäyttönuppia painettaessa polttoainetta pumpataan suoraan kaasuttimesta polttokammioon.



HUOMAUTUS. Kylmäkäynnistettäessä ryppyä voidaan tarvita useamman kerran moottorin käynnistämiseksi.

- Vedä jarruvipu taakse ja pidä sitä ohjaustankoa vasten.



JARRUVIPU

- Tartu oikealla kädellä pidikkeessä olevaan käynnistyskahvaan ja vedä kahvasta ensin hitaasti ja sitten nopeasti. Kahvan vaijerin on oltava paikoillaan pidikkeessä. (Jos kylmäkäynnistys ei onnistu ensi yrittämällä, kokeile vielä pari kertaa.)

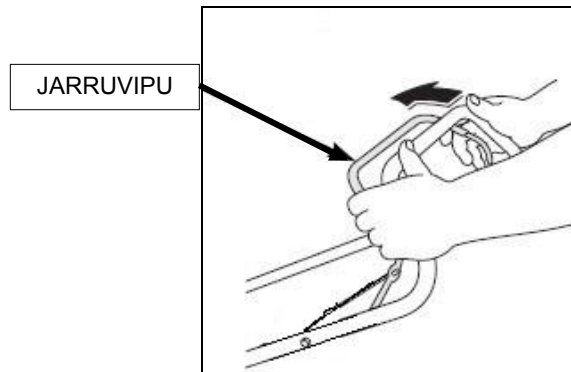


STARTER GRIP

KÄYNNISTYSKAHVA

Moottorin sammutus

- Vapauta jarruvipu.



VAROITUS! Terä pyörii muutaman sekunnin ajan moottorin sammuttamisen jälkeen. Irrota sytytystulpan hattu, jos moottori jätetään ilman valvontaa.

6. KUNNOSSAPITO



TÄRKEÄÄ: Säännöllinen, huolellinen huolto on ehdottoman tärkeitä ruohonleikkurin turvallisuuden ja alkuperäisen tehon varmistamisessa vuosienkin käytössä.

- Pidä kaikki mutterit, pultit ja ruuvit kireällä, jotta laitteen käyttö olisi turvallista. Säännöllinen huolto on ehdottoman tärkeitä, jotta laite olisi turvallinen ja tehokas.
- Älä koskaan säilytä laitetta sisätiloissa silloin, kun polttoainesäiliössä on polttoainetta, sillä polttoainehöyry voi syttyä palamaan kipinästä tai korkean lämpötilan vaikutuksesta.
- Anna moottorin jäähtyä ennen laitteen varastointia sisätiloihin.
- Varmista palovaaran vähentämiseksi, että moottorissa, pakoputken vaimentimessa, akussa ja polttoainesäiliön ympärillä ei ole ruohoa tai ylimääräistä konerasvaa. Älä jätä leikkuujätteen keruusäkkiä ruohoiheen sisätiloihin.
- Älä käytä ruohonleikkuria, jos sen osat ovat kuluneet tai vaurioituneet. Osat on vaihdettava – niitä ei saa korjata. Käytä alkuperäisiä varaosia (terissä on aina oltava valmistajan merkki). Heikkolaatuisemmat terät voivat vaurioittaa laitetta ja vaarantaa turvallisuutesi.
- Jos polttoainesäiliö on tyhjennettävä, se on tehtävä ulkona ja moottorin on annettava ensin jäähtyä perusteellisesti.
- Käytä paksuja käsineitä terää irrottaessasi ja asentaessasi.
- Tarkista terän tasapaino teroittamisen jälkeen.
- Tarkista itsesulkeutuva suojuus ja leikkuujätteen keruusäkki säännöllisesti kulumisen ja vaurioiden varalta.
- Kun käsittelet, kuljetat tai kallistat ruohonleikkuria:
 - Käytä paksuja käsineitä.
 - Tartu ruohonleikkuriin turvallisista kohdista ja huomioi paino sekä sen jakautuminen.

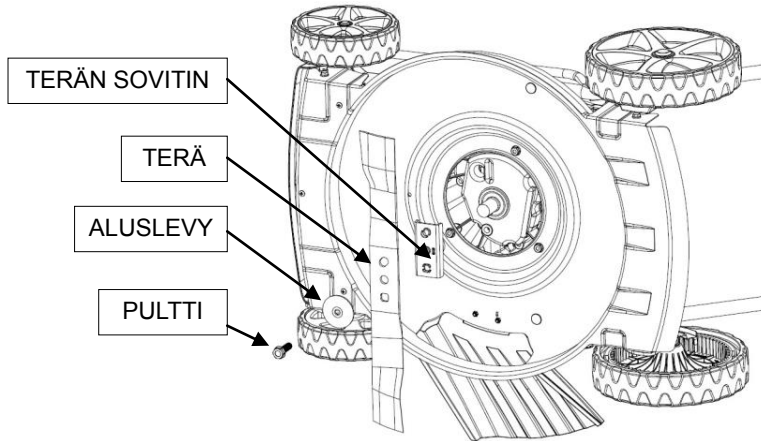
Terän tarkastus

- Kallista ruohonleikkuria oikealle siten, että ilmansuodattimen puoli osoittaa ylöspäin. Näin vältät polttoainevuodot ja käynnistysvaikeudet.
- Tarkasta terä vaurioiden, halkeamien ja liiallisen ruosteen sekä korroosion varalta. Tylsynyt terä voidaan teroittaa, mutta hyvin kulunut, vääntynyt, haljennut tai muulla tavoin vaurioitunut terä on vaihdettava uuteen.
- Käytä aina momenttiavainta terää asennettaessa. Tarkista, että terän pultit ovat kiristetty.

Irrottaminen ja asentaminen

Jos terä irrotetaan vaihtoa tai teroitusta varten, tarvitset momenttiavaimen terää takaisin paikoilleen asennettaessa. Käytä paksuja käsineitä suojataksesi kädet.

- Irrota pultti hylsyavaimella. Lukitse terä paikoilleen puisella kiilalla pulttia irrottaessasi. Irrota terä.
- Kiinnitä terä paikoilleen pultilla ja erikoisaluslevyillä. Asenna erikoisaluslevyt siten, että kovera puoli on vasten terää ja kupera puoli asettuu vasten pulttia.
- Kiristä terän pultti paikoilleen momenttiavaimella. Lukitse terä paikoilleen puisella kiilalla pulttia kiristäessäsi.

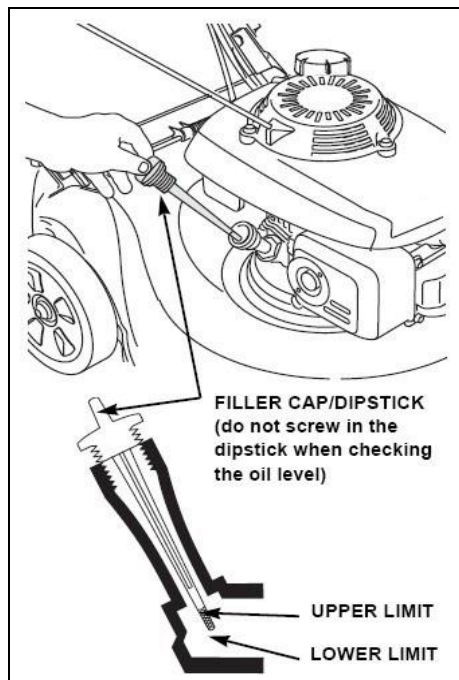


Moottorin huolto

- Moottoriöljyn määrän tarkistus

Sammuta ruohonleikkuri ja moottori ennen moottoriöljyn määrän tarkistamista.

- Irrota öljyntäyttöaukon korkki ja pyyhi mittatikku puhtaaksi.
- Laita mittatikku täyttöaukkoon, mutta älä kierrä sitä kiinni.
- Tarkista öljymäärä mittatikusta. Jos öljyinpinta on lähellä alamerkkiä, lisää öljyä ylämerkkiin saakka. Älä ylitäytä.
- Kierrä täyttöaukon korkki huolellisesti takaisin paikoilleen.



FILLER CAP/DIPSTICK (do not screw in the dipstick when checking the oil level)	TÄYTTÖAUKON KORKKI/MITTATIKKU (älä kierrä mittatikua kiinni tarkistettaessa)
UPPER LIMIT	YLÄRAJA
LOWER LIMIT	ALARAJA



HUOMAUTUS. Moottori voi vaurioitua, jos sitä käytetään liian vähäisellä öljymäärällä.

- Moottoriöljyn vaihto

Poista käytetty öljy moottorin ollessa lämmin. Lämmin öljy virtaa ulos säiliöstä nopeammin ja perusteellisemmin.

- Pyyhi öljynsuodatin puhtaaksi, irrota öljyntäyttöaukon korkki/mittatikku.
- Aseta sopiva astia ruohonleikkurin viereen poistettavaa öljyä varten, ja kallista ruohonleikkuria sitten oikealle puolelle. Vanha öljy virtaa ulos täyttöaukosta. Anna öljyn virrata ulos säiliöistä kokonaan.

Hävitä käytetty öljy ja kanisterit ympäristöystävällisellä tavalla. Käytetty öljy kannatta viedä suljetussa kanisterissa paikalliseen ongelmajätteen kierrätyspisteeseen tai jäteasemalle. Älä poista öljyä kotitalousjätteen mukana tai kaada sitä maahan tai viemäriin.

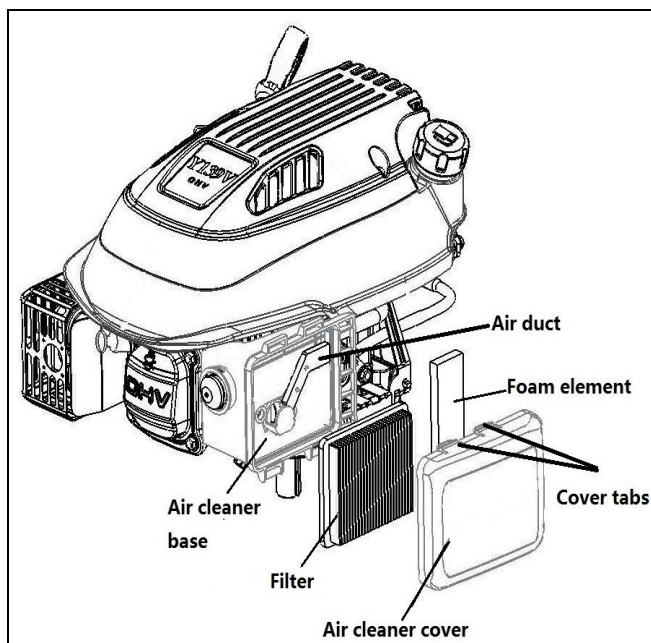
- Lisää valmistajan suosittelemaa öljyä. Älä ylitäytä. Anna öljyn valua moottoriin muutaman minuutin ajan ja tarkista öljymäärä sen jälkeen.

- Ilmansuodattimen huolto



HUOMAUTUS. Jos moottoria käytetään ilman ilmansuodatinta tai jos suodatin on vaurioitunut, moottoriin pääsee likaa ja moottori kuluu nopeasti.

- Paina kannen kiinnikkeet alas ja irrota kansi.
- Irrota ilmansuodatin pidikkeestä.
- Tarkista suodatin ja vaahtomuoviosa ja vaihda uuteen tarvittaessa.
- Puhdista suodatin napauttamalla sitä useamman kerran vasten kovaa pintaa lian irrottamiseksi tai poista lika sisäpuolelta paineilmalla. Älä koskaan yritä pyyhkiä likaa pois, sillä pyyhkiminen työntää lian tiiviimmin suodattimeen.
- Pyyhi pidike ja kansi puhtaaksi kostealla rievulla. Varo, että likaa ei pääse kaasuttimeen johtavaan ilmanakanavaan.
- Laita suodatin ja kansi takaisin paikoilleen.

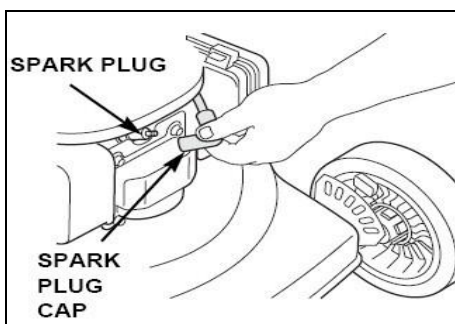


Air duct	Ilmanakanava
Foam element	Vaahtomuoviosa
Cover tabs	Kannen kiinnikkeet
Air cleaner base	Ilmansuodattimen pidike
Filter	Suodatin
Air cleaner cover	Ilmansuodattimen kansi

- Sytytystulpan huolto

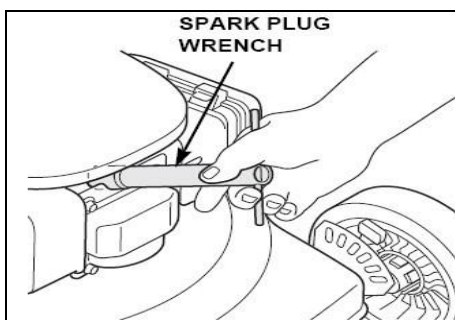
Sytytystulpassa on oltava asianmukainen kärkiväli ja sen on oltava puhdas, jotta se toimisi asianmukaisesti.

- Irrota sytytystulpan hattu ja pyyhi sytytystulppaa ympäröivä alue puhtaaksi.



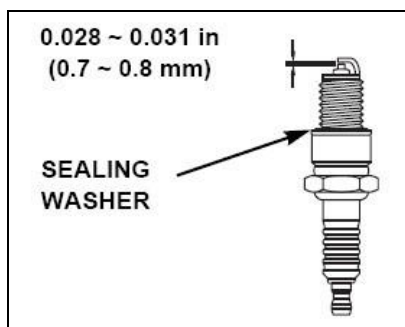
SPARK PLUG	SYTYTYSTULPPA
SPARK PLUG CAP	SYTYTYSTULPAN HATTU

- Irrota sytytystulppa tulppa-avaimella.



SPARK PLUG WRENCH	SYTYTYSTULPAN AVAIN
-------------------	---------------------

- Tarkasta sytytystulppa. Vaihda sytytystulppa, jos elektrodit ovat kuluneet tai jos eriste on haljennut tai halkeillut.
- Mittaa sytytystulpan kärkiväli sopivalla mittarilla. Kärkivälin tulisi olla 0,028–0,031” (0,7–0,8 mm). Säädä kärkiväli tarvittaessa taivuttamalla elektrodi varovasti sopivalla työkalulla.



0.028-0.031 in (0.7 - 0.8 mm)	0,028–0,031” (0,7–0,8 mm)
SEALING WASHER	TIIVISTELEVY

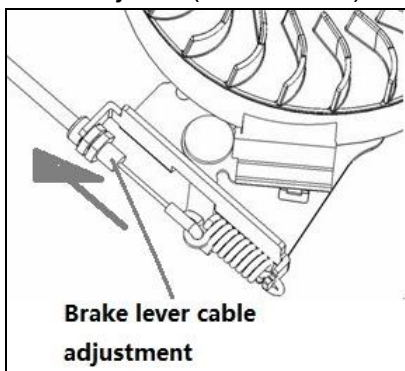
- Asenna sytytystulppa varovasti paikalleen ja varo rikkomasta kierteitä.
- Asenna sytytystulpan hattu takaisin paikoilleen.



HUOMAUTUS. Löystynyt sytytystulppa voi ylikuumentua ja vaurioittaa moottoria. Liian kireälle kiristetty sytytystulppa voi vaurioittaa sylinteripään kierteitä.

Jarruvaijerin säätö

- Kiristä löystynyt jarruvipua säätämällä vaijeria. (Katso kuva.)



Brake lever cable adjustment	Jarruvaijerin säätö
------------------------------	---------------------

Huoltotaulu

HUOLTOVÄLIT		Aina ennen käyttöä	Ensimmäisen kuukauden tai 5 käyttötunnin jälkeen	3 kuukauden tai 25 käyttötunnin välein	6 kuukauden tai 50 käyttötunnin välein	1 vuoden tai 100 käyttötunnin välein	2 vuoden tai 250 käyttötunnin välein
TUOTE Tee huollot ilmoitetun huoltovälin mukaan riippuen siitä, kumpi edellytyksistä täyttyy ensin. ⁽¹⁾							
Moottoriöljy	Tarkista	○					
	Vaihto		○	○ ⁽²⁾			
Ilmansuodatin	Tarkista		○				
	Vaihto			○ ⁽³⁾			
Sytytystulppa	Tarkista, säädä					○	
	Vaihto						○
Vauhtipyörän jarrulevy (A-malli)	Tarkista					○	
Polttoainesäiliö ja suodatin	Puhdista			○			
Polttoaineletku	Tarkista	Kahden vuoden välein (vaihda tarvittaessa)					
Venttiilin vällys	Tarkista, säädä					○	
Polttokammiot	Puhdista	200 käyttötunnin välein					

(1) Kaupallisessa käytössä käyttötunnit on kirjattava ylös asianmukaisten huoltovälien määrittelyä varten.

(2) Vaihda moottoriöljyt 25 käyttötunnin välein silloin, kun ruohonleikkuri on kovassa käytössä tai sitä käytetään lämpimällä säällä.

(3) Ruohonleikkuri on huollettava useammin silloin, kun sitä käytetään pölyisissä käyttöolosuhteissa.

Vianmääritys

MOOTTORI EI KÄYNNISTY	Mahdollinen syy	Korjaus
1. Tarkista polttoaineen määrä.	Polttoainesäiliö on tyhjä.	Lisää polttoainetta.
	Polttoaine on huonolaatuista, ruohonleikkuri on varastoitu polttoainetta käsittelemättä tai polttoainesäiliötä tyhjentämättä tai säiliöön on lisätty huonolaatuista polttoainetta.	Tyhjennä polttoainesäiliö ja poista polttoaine kaasuttimesta. Lisää tankkiin uutta polttoainetta.
2. Irrota sytytystulppa ja tarkasta se.	Sytytystulppa on vioittunut, likainen tai kärkiväli on väärä.	Vaihda sytytystulppa.

	Sytytystulppa on kastunut (moottorissa on polttoainetta).	Kuivaa ja asenna sytytystulppa takaisin paikoilleen.
3. Vie moottori valtuutettuun huoltoliikkeeseen tai lähimmälle jälleenmyyjälle.	Polttoainesuodatin on tukossa, kaasutin ei toimi, sytytys ei toimi, venttiilit ovat jumissa jne.	Vaihda tai korjaa vialliset osat tarpeen mukaan.
4. Paina käynnistystäyttönuppia.	Kylmäkäynnistys.	Paina käynnistystäyttönuppia.
MOOTTORISSA EI OLE TEHOA	Mahdollinen syy	Korjaus
1. Tarkista ilmansuodatin.	Ilmansuodatin on tukossa.	Puhdista tai vaihda ilmansuodatin.
2. Tarkista polttoaineen määrä.	Polttoaine on huonolaatuista, ruohonleikkuri on varastoitu polttoainetta käsittelemättä tai polttoainesäiliötä tyhjentämättä tai säiliöön on lisätty huonolaatuista polttoainetta.	Tyhjennä polttoainesäiliö ja poista polttoaine kaasuttimesta. Lisää tankkiin uutta polttoainetta.
3. Vie moottori valtuutettuun huoltoliikkeeseen tai lähimmälle jälleenmyyjälle.	Polttoainesuodatin on tukossa, kaasutin ei toimi, sytytys ei toimi, venttiilit ovat jumissa jne.	Vaihda tai korjaa vialliset osat tarpeen mukaan.

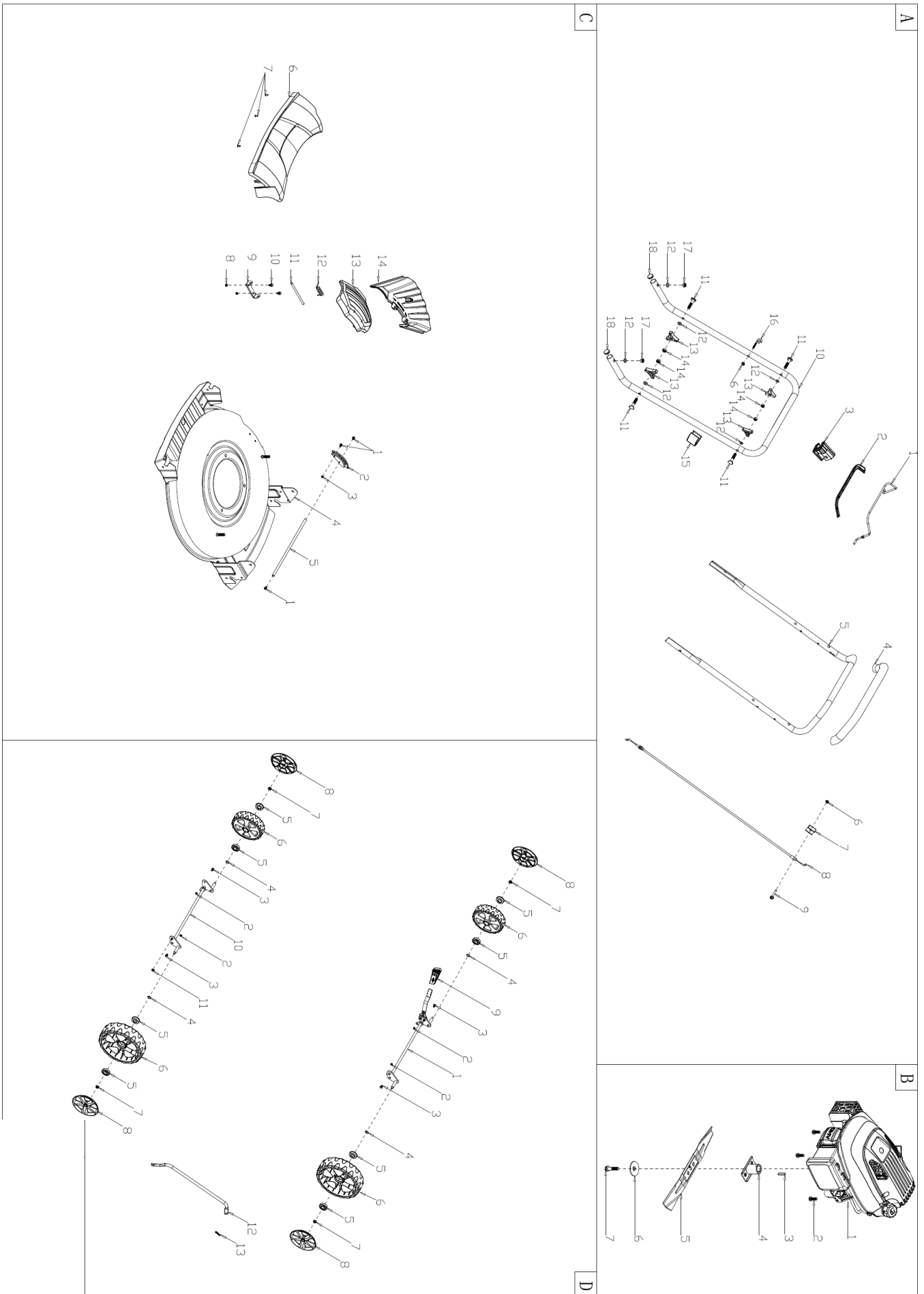
7. Varastointi

- Polttoaine säilyy laadukkaana polttoainesäiliössä vain noin kuukauden.
- Puhdista ruohonleikkuri perusteellisesti ja säilytä sitä kuivissa sisätiloissa.
- Älä koskaan säilytä ruohonleikkuria, jonka säiliössä on polttoainetta, sellaisissa paikassa sisätiloissa, jossa se voi altistua avotulelle tai kipinöille.
- Varmista palovaaran vähentämiseksi, että moottorissa, pakoputken vaimentimessa, akussa ja polttoainesäiliön ympärillä ei ole ruohoa tai ylimääräistä konerasvaa.
- Jos polttoainesäiliö on tyhjennettävä, se on tehtävä ulkona.
- Varo, että sormet eivät jää liikkuvien terien ja ruohonleikkurin muiden osien väliin ruohonleikkuria säädettäessä.
- Anna koneen jäähtyä ainakin 30 minuuttia ennen varastointia.

8. YMPÄRISTÖ

Älä hävitä käytöstä poistettavaa ruohonleikkuria kotitalousjätteen mukana. Ruohonleikkuri on poistettava käytöstä ja hävitettävä ympäristöystävällisellä tavalla.

9. RÄJÄHDYSKAAVIO



10. OSALUETTELO

Nro.	Osanumero	Nimitys	Tekniset tiedot	Lisätietoja	Määrä
A	Osa A				
A-1	G3354000001	jarruvipu	Q235	Ø7,5 mm	1
A-2	G33Q0000014	muovikoriste	ABS, G46	P 109C	1
A-3	G3XW0000000	rajoitin	PA66		1
A-4	G3320000000	vaahtomuoviputki	NBR	20x510x3 mm	1
A-5	G333F000001	ylempi aisa	Q235	Ø22/t = 1,35	1
A-6	B2011B00000	mutteri		M6	2
A-7	G339X300000	vaijerilukko	PA66+GAF		1
A-8	G339XX60000	jarruvaijeri	G339XX60000		1
A-9	B1066B06032	pultti		M6x32	1
A-10	G83B1000001	alempi aisa	Q235	Ø22/t = 1,35	1
A-11	B1083W08045	pultti		M8x45	4
A-12	B5019W00000	litteä aluslaatta		Ø8,5xØ16x1,5 mm	6
A-13	G33C1100010	nuppi	PP		4
A-14	B2020W00000	mutteri		M8	4
A-15	G33H0000000	vaijerin pidike	PP		1
A-16	G33K0000000	vaijerin ohjain	Q235	Ø6 mm	1
A-17	B2009W00000	mutteri		M8	2
A-18	G33J0000000	ohjaustangon tulppa	PP		2
B	Osa B				
B-1	Y2P5S000010	Y139V moottori	139CC		1
B-2	B1077W08025	pultti		M8x25	3
B-3	BE004W00000	kiila	#45	4.775x5x20 mm	1
B-4	G8530000000	terän sovitin	Q235		1
B-5	G8510000000	20" terä	40MnB	t = 3,5 mm	1
B-6	G3520000000	terän aluslaatta	65Mn	t = 3 mm	1
B-7	B1001B00032	terän pultti	20Cr	3/8-24UNF x 32	1
C	Osa C				
C-1	B1057W06010	pultti M6*10		M6x10	2
C-2	G84BC000000	korkeudensäätölevy	Q235		1
C-3	B2008W00000	mutteri		M6	1
C-4	G8213000001	runko		St 1,5	1
C-5	G8XY0000000	yhdystanko	Q235		1
C-6	G8240000010	muovinen etuosa	PP		1
C-7	B3023W00000	ruuvi		ST 4,8x15-C	3
C-8	B2007W00000	mutteri		M5	2
C-9	G3250000000	sivupoistoaukon hakanen	Q235	t = 2 mm	1
C-10	B1052W05010	pultti		M5x10	2
C-11	G5260000000	sivupoistoaukon kannen akseli	Q235	Ø6 mm	1
C-12	G8270000000	sivupoistoaukon kannen jousi			1

C-13	G8280000000	sivupoistoaukon kansi	PP		1
C-14	G8290000000	sivupoistoaukon suuntauslevy	PP		1
D	Osa D				
D-1	G8490000000	takapyörien akselikokoonpano	Q235		1
D-2	B2008W00000	mutteri		M6	4
D-3	B1058W06012	pultti		M6x12	4
D-4	B6009B00000	jousialuslevy	65Mn	Ø13xØ23,5x0,3x2,5 mm	4
D-5	B0019W00000	laakeri		12,7x28,6x8 mm	8
D-6	G24F0000000	7" pyörä	PVC+PP	G42	4
D-7	B2017W00000	mutteri		M8	4
D-8	G24R2000014	7" pyörän pölykapseli	PP, G42	P 109C	4
D-9	G3431000014	korkeudensäätökahva	PP	P 109C	1
D-10	G8450000000	etupyörien akseli	Q235		1
D-11	B2016W00000	mutteri		M6	1
D-12	G8410000000	korkeudensäädön tanko	Q235	Ø14/t = 1,35 mm	1
D-13	BB004W00000	sokka		Ø2x20 mm	1

11. VAATIMUSTENMUKAISUUSVAKUUTUS

Me,

Kesko-ryhmän yritykset,

Osoite: Satamakatu 3, FI-00160, Helsinki, Suomi

Puhelin: +358-10 53032 Faksi: +358-9 857 4783

takaamme ja vakuutamme, että tämä tuote

Laite: bensiinikäyttöinen ruohonleikkuri

Tuotenimi: FXA

Malli/tyyppi: 501741207 / GL51YL-B

on

konedirektiivin (MD) 2006/42/EY,

sähkömagneettisen yhteensopivuuden direktiivin (EMC) 2014/30/EY,

meludirektiivin 2000/14/EY, **amended by 2005/88/EY, Annex VI**

säännösten mukainen ja että seuraavia harmonisoituja standardeja ja teknisiä erittelyjä on sovellettu:

EN ISO 5395-1:2013

EN ISO 5395-2:2013

EN ISO 14982:2009

Malli	501741207 / GL51YL-B
Mitattu äänitehotaso Taattu äänitehotaso (2000/14/EY mukaan)	94,60 dB(A) – K = 0,44 dB 98 dB(A)

Helsingissä kesäkuussa 2016

Notified body: Société Nationale de Certification et d'Homologation. No.: 0499

Address: BP 23, L-5201 Sandweiler

Kesko Oyj



Guotao Sun-Own Brand Sourcing and Development Director

FXA

Bensindriven gräsklippare

ÖVERSÄTTNING AV

ORIGINALBRUKSANVISNING

Modell: 501741207 / GL51YL-B

VIKTIGT! Läs och följ alla säkerhetsinstruktioner innan utrustningen används.

CE 2016

Kesko Abp,
Adress: Satamakatu 3, FI-00160, Helsinki, Finland
Telefon: +358-10 53032 Fax: +358-9 857 4783

Översättning från originalet:501741207 / GL51YL-B

Bästa kund!

Tack för att du väljer vår bensindrivna gräsklippare. För att säkerställa att du får de bästa resultaten av din bensindrivna gräsklippare ska du läsa alla instruktioner med avseende på säkerhet och hantering noggrant innan du använder denna produkt.

Ta dig lite tid att göra dig bekant med din gräsklippare innan du använder den. Förvara manualen på en säker plats så att informationen alltid finns tillgänglig. Om du lämnar denna utrustning till någon annan person ska du likaså lämna över dessa bruksanvisningar och säkerhetsföreskrifter.

Avsedd användning

Utrustningen får endast användas för de uppgifter som den är designad för. All annan användning bedöms vara felaktig användning. Det är användaren/operatören och inte tillverkaren som kommer att hållas ansvarig för alla skador på verktyg eller personer.

Den bensindrivna gräsklipparen är avsedd för privat användning d.v.s. kring hemmet och i trädgården. Privat användning av gräsklipparen avser en årlig drifttid som inte överstiger 50 timmar, under vilken tid maskinen huvudsakligen används för att sköta småskaliga bostadsträdgårdar och hem/hobbyträdgårdar. Allmänna inrättningar, sporthallar och användning inom jordbruk och skogsbruk är uteslutna.

Observera att vår utrustning inte är designad för användning i kommersiella, handels- eller industriapplikationer. Vår garanti upphör att gälla om maskinen används för kommersiella, handels- eller industriapplikationer eller för liknande syften.

Bruksanvisningarna, såsom de ges av tillverkaren, måste behållas och refereras till för att säkerställa att gräsklipparen används och sköts på rätt sätt. Instruktionerna innehåller värdefull information om förutsättningarna för användning, underhåll och service.

Viktigt! På grund av den höga risken för kroppsskador får gräsklipparen inte användas för att trimma snår, häckar eller buskar, för att klippa ned klättrande vegetation, planterade tak eller gräs som växer på en balkong, för att rensa upp (suga upp) smuts och skräp från gångbanor eller för att hacka sönder träd eller häckklipp. Gräsklipparen får inte heller användas som kultivator för att jämna ut ojämnheter såsom mullvadshögar.

Av säkerhetsskäl får gräsklipparen inte användas som en drivenhet för andra arbetsredskap eller verktygsuppsättningar av något slag.

INNEHÅLLSFÖRTECKNING

1. SÄKERHETSANMÄRKNINGAR
2. MONTERING
3. TEKNISKA DATA
4. INNAN ANVÄNDNING
5. ANVÄNDNING
6. UNDERHÅLL
7. FÖRVARING
8. MILJÖ
9. SPRÄNGSKISS
10. KOMPONENTLISTA
11. EU-DEKLARATION OM ÖVERENSSTÄMMELSE

1. SÄKERHETSANMÄRKNINGAR

Din och andras säkerhet är mycket viktig. I denna manual och på gräsklipparen finns viktiga säkerhetsmeddelanden. Denna information varnar dig för möjliga faror som kan skada dig eller andra. Läs dessa meddelanden noggrant.

Det är självklart inte praktiskt eller möjligt att varna dig för alla faror förknippade med att hantera eller sköta en gräsklippare. Du måste använda ditt eget goda omdöme.

Du hittar viktig information i olika former:

Säkerhetsdekaler - på gräsklipparen.

Instruktioner – hur man använder denna gräsklippare korrekt och säkert.



Viktigt: Läs bruksanvisningen innan du använder maskinen.




Fara för slungade föremål. Håll andra personer på ett säkert avstånd medan du arbetar.



Varning: Ta bort tändstiftskabeln från tändstiftet och läs instruktionerna innan du utför reparation eller underhåll.



Risk för skärskador. Kniv i rörelse. Sätt inte händer eller fötter nära eller under öppningen för kniven.

Säkerhetsmeddelande – föregås av en varningssymbol  och ett av tre signalord:

FARA! VARNING! eller SE UPP!



FARA: Du utsätts för livsfara eller att bli allvarligt skadad om du inte följer instruktionerna.



VARNING! Du utsätts för livsfara eller att bli allvarligt skadad om du inte följer instruktionerna.



SE UPP! Du kan skadas om du inte följer instruktionerna.

Varje meddelande anger vilken fara som föreligger, vad som kan hända och vad du kan göra för att undvika eller minska risken för skada

ALLMÄNNA ANVÄNDARVILLKOR

- Maskinen ska enbart användas för att klippa gräs. Använd aldrig gräsklipparen för andra syften. All annan användning kan innebära risk för din säkerhet och kan innebära skada på gräsklipparen.
- Personer under 16 år och personer som inte är insatta i bruksanvisningen får inte använda gräsklipparen.
- Användaren är ansvarig för säkerheten för andra personer i arbetsområdet. Håll barn och husdjur på ett säkert avstånd när gräsklipparen används.
- Innan du klipper gräset ska du ta bort alla främmande föremål som kan slungas iväg av maskinen från gräsmattan. Var uppmärksam på främmande föremål som kan ha missats.

Bruksanvisningar

- Kontrollera att alla muttrar, bultar och skruvar är ordentligt åtdragna.
- Gräsuppsamlaren ska placeras på plats innan gräsklippningen.
- Innan gräsklippningen ska du se till att kniven och dess fästskruv är säkert fastsatta. Om skäreppen kräver slipning måste detta utföras likadant på båda sidorna för att förhindra obalans. Kniven ska bytas ut om den är skadad.
- Bär alltid långbyxor och kraftiga skor under gräsklippning.
- Kör inte motorn i ett slutet och/eller dåligt ventilerat utrymme eftersom avgaser från motorn innehåller koloxid som är farligt för din hälsa.
- Arbeta endast där det är tillräckligt ljust.
- Använd inte gräsklipparen när det regnar eller om gräset är vått.
- Särskilda försiktighetsåtgärder måste vidtas när man klipper gräs på lutningar eller sluttningar. Klipp längs med sluttningarna, aldrig neråt eller uppåt.
- Stäng av motorn om du måste lämna gräsklipparen utan uppsikt, flytta gräsklipparen eller luta den.
- Lyft aldrig den bakre delen av gräsklipparen medan du startar motorn och placera aldrig dina händer eller fötter under däcket eller i det bakre utkastet när motorn är i gång.
- Ändra aldrig motorns märkvarvtal på något sätt.
- På självgående gräsklippare ska man koppla från det självgående systemet innan motorns startas.
- Man ska aldrig lyfta eller bära gräsklipparen när motorn är i gång.
- Stäng av motorn och ta bort tändstiftshatten i dessa fall:
 - Innan arbete under däcket eller det bakre utkastet.
 - Innan underhåll, reparation eller kontroller.
 - Innan du bär, lyfter eller flyttar gräsklipparen.
 - Om du lämnar gräsklipparen utan uppsikt eller ändrar klipphöjden.

- Om du tar bort och tömmer gräsuppsamlaren.
- Efter att man har kört på ett främmande föremål ska man stanna motorn och noggrant kontrollera gräsklipparen för att se om det finns någon skada. Lämna gräsklipparen hos en behörig serviceverkstad för att utföra reparationer om det behövs.



WARNING! Efter att du har stängt av motorn är kniven fortfarande i rörelse under några sekunder.

- Om motorn vibrerar på ett onormalt sätt, ta reda på orsaken och lämna din gräsklippare till en behörig serviceverkstad.
- Kontrollera regelbundet att bultar, muttrar och skruvar är ordentligt åtdragna för en säker användning av gräsklipparen.

● **BENSIN ÄR MYCKET LÄTTANTÄNDLIGT**

- Förvara bensin i en bensindunk avsedd för detta ändamål.
- Fyll på tanken med hjälp av en tratt och utför detta utomhus. Rök inte. Använd inte mobiltelefon.
- Fyll på med bensin och olja innan motorn startas. Öppna inte locket på bränsletanken för att fylla på bensin medan motorn är igång eller fortfarande varm.
- Starta inte motorn om det finns utspilld bensin runt omkring. Flytta gräsklipparen från platsen där bensinen har spillts och undvik kontakt med värmekällor tills den utspillda bensinen helt har förångats.
- Skruva fast bränsletankens och bensindunkens lock ordentligt.

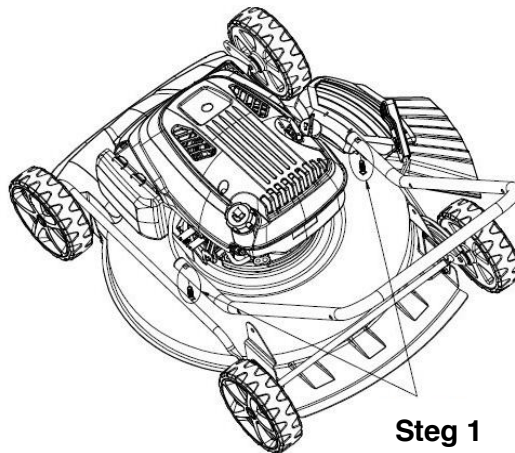
2. MONTERING

Uppackning

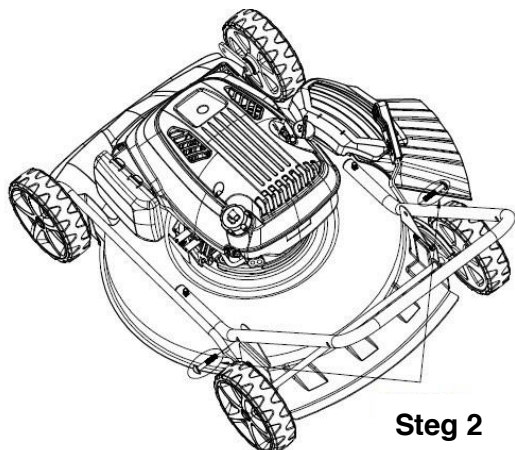
Ta ut gräsklipparen från förpackningen och kontrollera noggrant om det finns några lösa delar.

Inställning för handtag

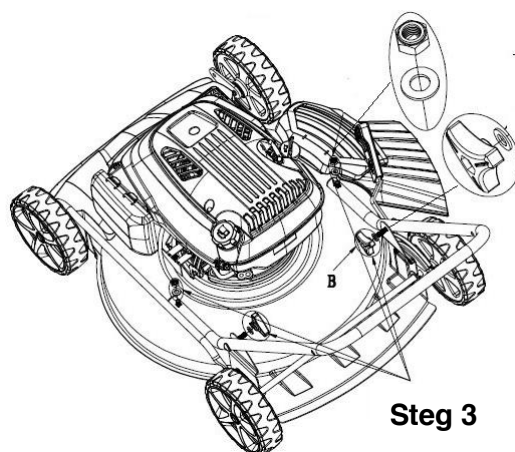
Steg 1: Sätt det nedre handtaget på däck.



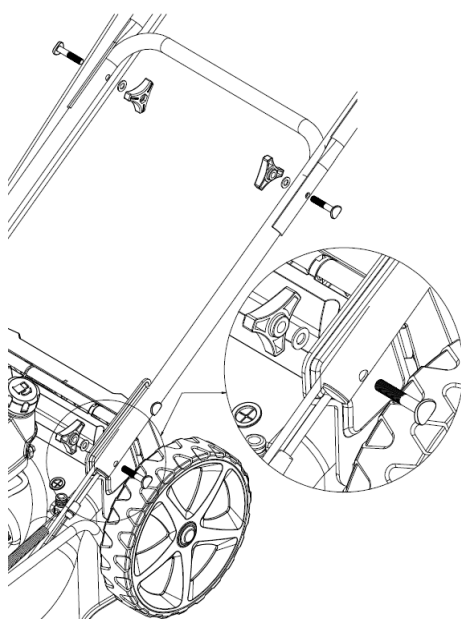
Steg 2: För in två bultar genom de två hålen.



Steg 3: Dra åt de två muttrarna och de två vreden.

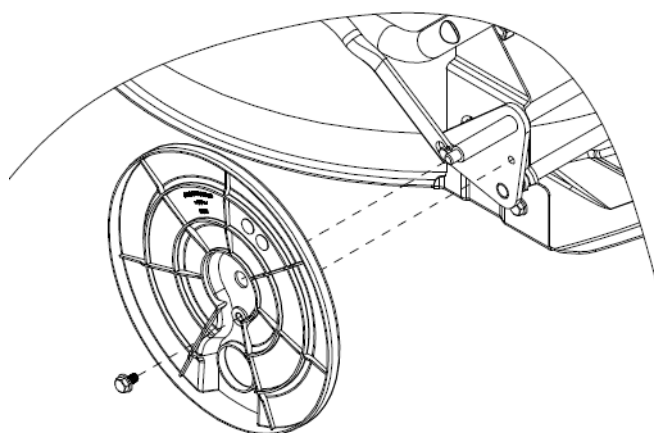


Steg 4: Skruva fast de övre handtagsdelarna med de två bultarna och vreden. Ta ut handtaget och skruva fast handtagsdelarna med de fyra skruvarna och vreden.



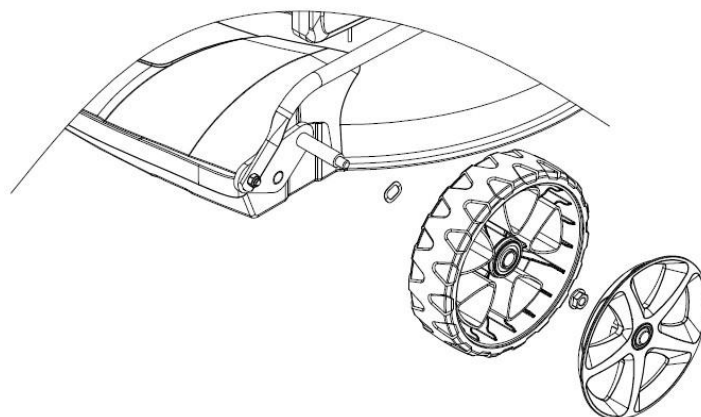
Montering av inre bakre hjulkåpa

- Montera den inre hjulkåpan som det visas i illustrationen.



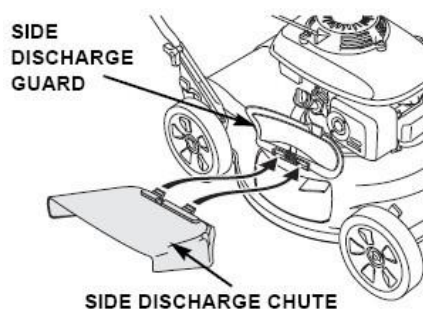
Hjulmontering

- Sätt de fyra hjulen på motsvarande hjulaxel och dra åt muttrarna och fäst därefter hjulkåpan på hjulen.



Montering av räna på sidoutkastet

- Lyft skyddet till sidoutkastets öppning och montera ränan.



SIDE DISCHARGE GUARD	SKYDD FÖR SIDOUTKAST
SIDE DISCHARGE CHUTE	RÄNNA FÖR SIDOUTKAST

Endast kompostering: Ta bort sidoutkastets räna.

3. TEKNISKA DATA

Modell	501741207 / GL51YL-B
Motortyp	Y139V
Motorns slagvolym	139 cm ³
Märkeffekt	2,6 kW
Knivlängd	508 mm
Märkvarvtal	2800/min
Bensintankens kapacitet	1,0 l
Nettovikt	26,50 kg
Höjjustering	25–75 mm, 6 steg

Garanterad ljudtrycksnivå vid operatörens plats (Enligt EN ISO 5395-1 Bilaga F & EN ISO 5395-2, EN ISO 4871)	81,40 dB(A) K = 2,50 dB
Uppmätt ljudeffektsnivå Garanterad ljudeffektsnivå (Enligt 2000/14/EC)	94,60 dB(A) – K = 0,44 dB 98 dB(A)
Vibration (Enligt EN ISO 5395-1 Bilaga G & EN ISO 5395-2)	8,802 m/s ² K = 1,5 m/s ²

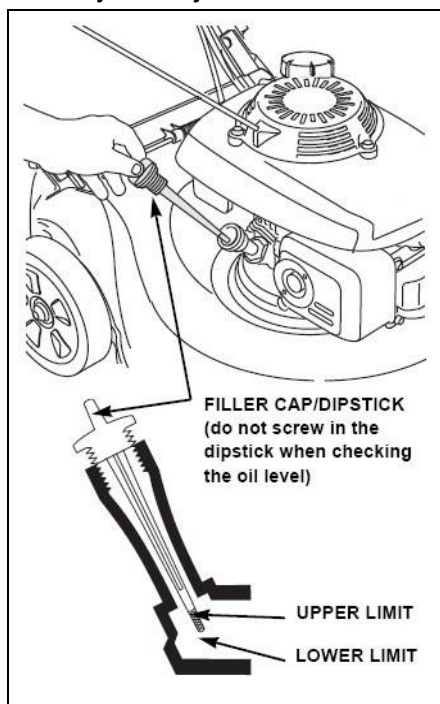
4. INNAN ANVÄNDNING

Motorolja

Gräsklipparen levereras utan olja i motorn.

Alla motorer körs på fabriken innan paketering. Det mesta av oljan töms ut innan leverans. Lite olja blir dock kvar i motorn. Mängden olja som finns kvar i motorn varierar.

Fyll på tillräckligt med olja för att få oljenivån mellan den övre och den nedre gränsmarkeringen på oljestickan, såsom visas. Fyll inte på för mycket olja i motorn.



FILLER CAP/DIPSTICK (do not screw in the dipstick when checking the oil level)	PÅFYLLNINGSLOCK/MÄTSTICKA (skruva inte i mätstickan när oljenivån kontrolleras)
UPPER LIMIT	ÖVRE GRÄNS
LOWER LIMIT	NEDRE GRÄNS

Fyll på tillräckligt med olja för att få oljenivån mellan den övre och den nedre gränsmarkeringen på oljestickan, såsom visas. Fyll inte på för mycket olja i motorn.

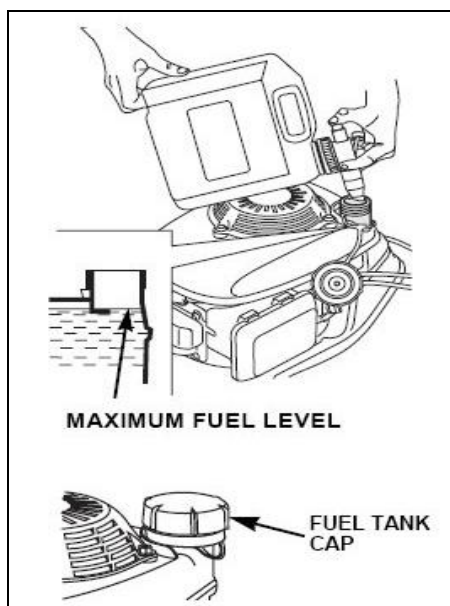
BRÄNSLE



OBSERVERA: Motorn levereras utan bensin, fyll på 0,80 liter innan motorn startas.

- Ta bort påfyllningslocket.

- Fyll på bränsle till botten av nivågränsen i röret på bränsletanken. Överfyll inte. Torka upp utspillt bränsle innan motorn startas.
- Skruva fast bränsletankens lock



MAXIMUM FUEL LEVEL	MAXIMAL PÅFYLLNINGSNIVÅ
FUEL TANK CAP	BRÄNSLETANKSLOCK



WARNING! Bensin är mycket brandfarligt och bensinånga kan explodera, vilket orsakar allvarlig personskada eller dödsfall. Var ytterst försiktig när du hanterar bensin. Förvara oåtkomligt för barn.

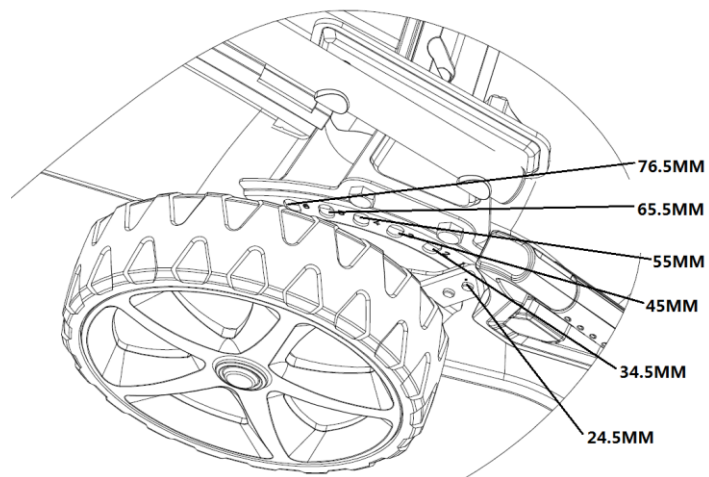
Fyll på i ett väl ventilerat utrymme med avstängd motor. Rök inte och håll lågor och gnistor på behörigt avstånd från området där motorn fylls på eller där bensin förvaras. Undvik upprepad eller långvarig kontakt med hud och inandning av ångor.

Efter påfyllning ska du skruva fast bränsletankens lock ordentligt. Vid bränslespill, säkerställ att platsen är torr innan motorn startas.

Justering av klipphöjd

Kontrollera inställningar för höjdjustering och utför nödvändiga justeringar.

- Klipphöjden (kniven till marken) kan justeras från 25 mm till 75 mm.
- Stäng av gräsklipparen och koppla från tändstiftskabeln innan du ändrar gräsklipparens klipphöjd.
- Den centrala höjdjusteringsspaken ger dig 6 olika höjdpositioner.
- För att ändra klipphöjden ska du trycka justerspaken mot hjulet, flytta upp eller ner till den önskade höjden.



WARNING! Kniven kan orsaka allvarlig personskada. Stäng av motorn innan klipphöjden justeras.

5. ANVÄNDNING

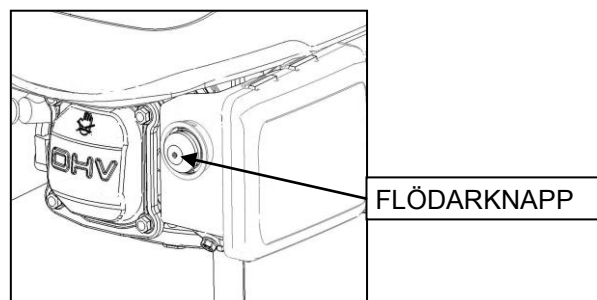
Start av motorn

- Flödarknapp

Under kalla förhållanden är det nödvändigt att pumpa på flödarknappen på luftfiltret innan man drar i starthandtaget.

Flödaren används endast vid kall motor.

Temperatur	Antal tryck
<0°C	3~4
0°C~10°C	2~3
10°C~20°C	1~2
>20°C	1

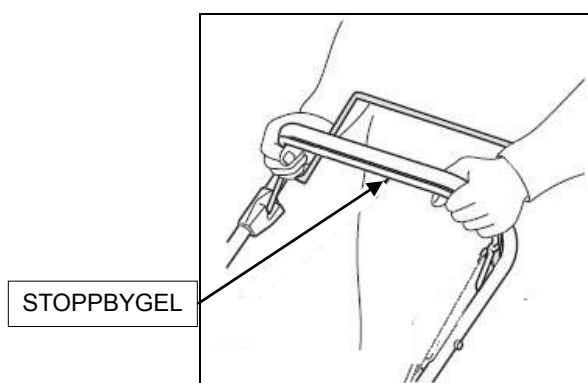


Du bör även sätta till mer bränsle i luftblandningen för att underlätta start. När du trycker på flödarknappen pumpas bränsle direkt från förgasaren till förbränningskammaren.

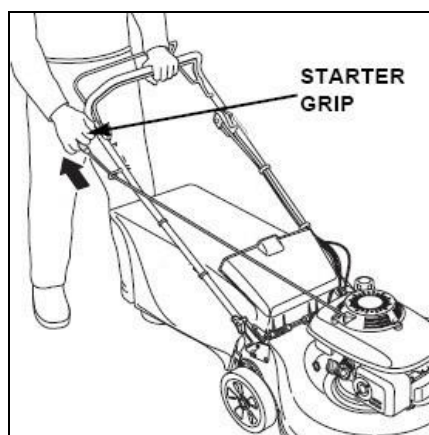


OBSERVERA: Under kalla förhållanden kan det vara nödvändigt att upprepa tändsatsstegen för att starta motorn.

- Fäll tillbaka stoppbygeln och håll den mot handtaget.



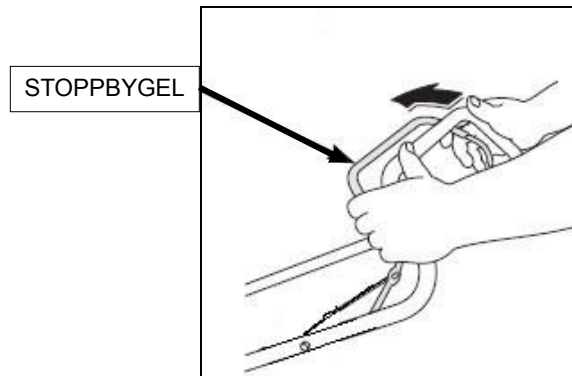
- När starthandtaget är i dess stöd ska du ta starthandtaget med din högra hand och dra långsamt tills du känner motstånd. Dra sedan kraftfullt i starthandtaget med startarlinan genom stödet (om kallstarten inte är tillräcklig ska denna manöver upprepas 2 eller 3 gånger).



STARTER GRIP	STARHANDTAG
--------------	-------------

Stänga av motorn

- Släpp stoppbygeln.



VARNING! Kniven fortsätter att rotera under några sekunder efter att motorn har stängts av. Koppla från tändstiftshatten om gräsklipparen ska lämnas utan uppsikt.

6. UNDERHÅLL



VIKTIGT: Regelbundet, noggrant underhåll är nödvändigt för att hålla säkerhetsspaken och den ursprungliga prestandan i maskinen oförändrad under tidens gång.

- Se till att dra åt alla muttrar, bultar och skruvar ordentligt för att tillförsäkra säker användning av maskinen. Regelbundet underhåll är nödvändigt för säkerhet och prestanda.
- Förvara aldrig utrustningen med bränsle i tanken inne i en byggnad där ånga kan nå en flamma, gnista eller källa till extrem hetta.
- Låt motorn svalna innan den förvaras i ett slutet utrymme.
- För att minska brandrisken ska motorn, ljuddämparen, batterilåda och bränsletank vara fria från gräs, löv och överflödigt fett. Lämna inte behållare med gräsklipp i utrymmen.
- Av säkerhetsskäl ska man inte använda utrustning med slitna eller skadade delar. Delar ska bytas ut och inte repareras. Använd reservdelar i original (knivar ska bära symbolen). Delar som inte har samma kvalitet kan skada utrustningen och vara farliga för din säkerhet.
- Om bränsletanken måste tömmas ska detta utföras utomhus och när motorn är kall.
- Bär kraftiga arbetshandskar när du tar bort och monterar kniven.
- Kontrollera knivens balans efter slipning.
- Kontrollera det självstängande skyddet och gräsuppsamlaren frekvent för att upptäcka slitage och försämringar.
- När en maskin ska hanteras, transporteras eller lutas måste du:
 - Bära kraftiga arbetshandskar.
 - Gripa tag i maskinen på de ställen som ger ett säkert grepp och ta hänsyn till vikten och dess fördelning.

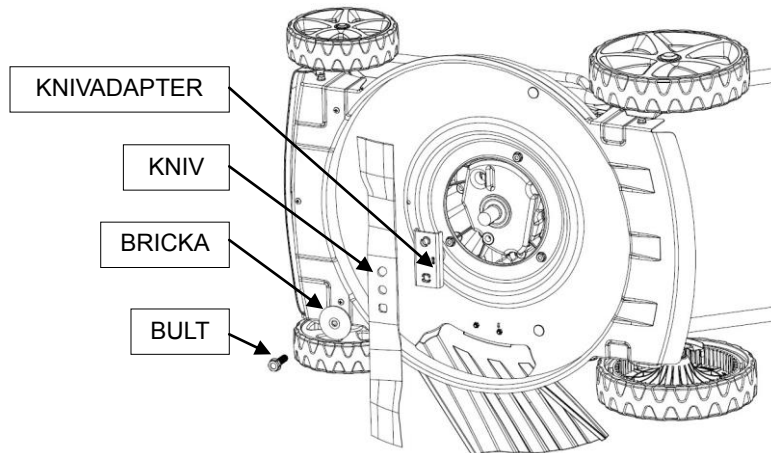
Inspektion av kniv

- Luta gräsklipparen åt höger så att luftrenarsidan är uppåt. Detta kommer att hjälpa till att förhindra bränsleläckage och trög start.
- Inspektera kniven för att upptäcka skada, sprickor och överdriven rost eller korrosion. Ett slött blad kan slipas men ett blad som är överdrivet slitet, böjt, sprucket eller på annat sätt skadat måste bytas ut.
- En skruvnyckel måste alltid användas när bladet monteras. Kontrollera att knivens bultar är åtdragna.

Demontering och montering

Om du tar bort kniven för att slipa eller byta ut den kommer du att behöva en skruvnyckel för detta arbete. Bär kraftiga handskar för att skydda dina händer.

- Ta bort bulten med en hylsnyckel. Använd en träklots för att förhindra att kniven snurrar när du tar bort bulten. Ta sedan bort kniven.
- Montera kniven genom att använda knivens bult och specialbrickor. Se till att montera specialbrickorna med den konkava sidan mot kniven och den konvexa sidan mot bulten.
- Dra åt knivens bult med en skruvnyckel. Använd en träklots för att förhindra att kniven snurrar när du drar åt bulten.

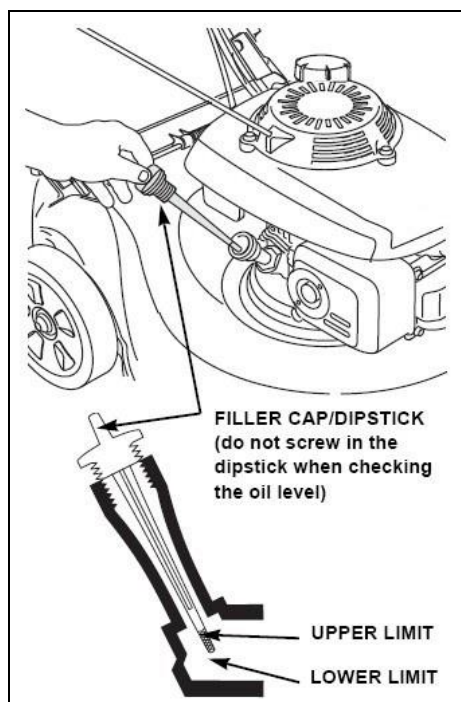


Motorunderhåll

- Kontrollera motoroljans nivå

Kontrollera motoroljans nivå när gräsklipparens motor är avstängd.

- Avlägsna oljepåfyllningslocket och torka ren mätstickan.
- Sätt tillbaka mätstickan i oljepåfyllningsröret utan att skruva fast den.
- Kontrollera oljenivån, som visas på mätstickan. Om nivån är nära den lägre gränsen ska du fylla på med olja till den övre nivån. Överfyll inte.
- Skruva på påfyllningslocket ordentligt.



FILLER CAP/DIPSTICK (do not screw in the dipstick when checking the oil level)	PÅFYLLNINGSLÖCK/MÄTSTICKA (skruva inte i mätstickan när oljenivån kontrolleras)
UPPER LIMIT	ÖVRE GRÄNS
LOWER LIMIT	NEDRE GRÄNS



OBSERVERA: Om motorn körs med en låg oljenivå kommer detta att orsaka motorskada.

- Byta motorolja

Töm ut den använda oljan medan motorn är varm. Varm olja töms snabbt och fullständigt.

- Torka rent oljepåfyllningsområdet och ta sedan bort oljepåfyllningslocket/mätstickan.
- Placera en lämplig behållare bredvid gräsklipparen för att samla upp den använda oljan. Luta sedan gräsklipparen på dess högra sida. Placera en lämplig behållare bredvid gräsklipparen för att samla upp den använda oljan. Luta sedan gräsklipparen på dess högra sida. Låt oljan tömmas ut ordentligt.

Kassera den använda motoroljan och behållarna på ett miljövänligt sätt. Vi rekommenderar att du tar med den i en försluten behållare till din lokala återvinningscentral eller servicestation för återvinning. Kasta den inte i soporna. Häll inte ut den på marken eller i avloppet.

- Fyll på med rekommenderad olja. Överfyll inte. Vänta några minuter så att oljan rinner ned i motorn och mät sedan oljenivån.

- Service av luftrenare

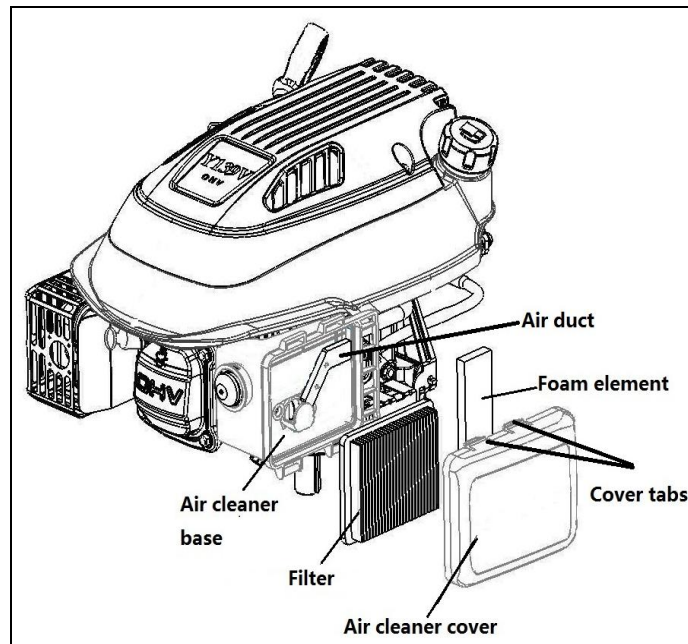


OBSERVERA: Om motorn drivs utan en luftrenare eller med en skadad luftrenare gör detta att smuts kommer in i motorn vilket snabbt orsakar motorslitage.

- Tryck ner lockflikarna och ta bort locket.
- Ta bort filtret från luftrenarens bas.
- Inspektera filtret och skumelementet och byt ut det om det är skadat.
- Rensa filtret genom att knacka det mot en hård yta flera gånger för att ta bort smuts eller blås tryckluft genom luftfiltret från insidan. Försök aldrig att borsta bort smuts. Borstning tvingar in smuts i fibrerna.
- Torka bort smuts från insidan av luftrenarens bas och lock genom att använda en fuktig trasa. Var

försiktig så att inte smuts kommer in i luftkanalen som leder till förgasaren.

- Montera filtret och locket igen.

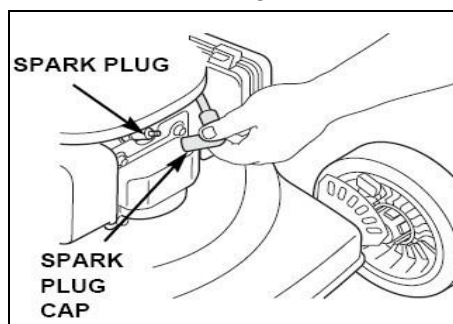


Air cleaner base	Luftrenarbas
Filter	Filter
Air cleaner cover	Luftrenarkåpa
Air duct	Luftkanal
Foam element	Skumelement
Cover tabs	Lockflikar

- Service av tändstift

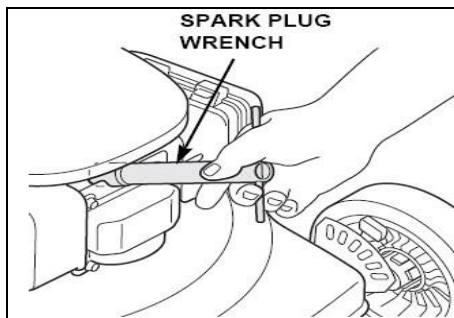
För god prestation måste tändstiftet ha rätt elektrodavstånd och vara fritt från avlagringar.

- Koppla från tändstiftshatten och ta bort smuts kring tändstiftets område.



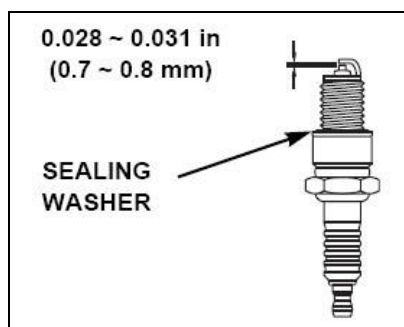
SPARK PLUG	TÄNDSTIFT
SPARK PLUG CAP	TÄNDSTIFTSHATT

- Ta bort tändstiftet med en tändstiftsnyckel.



SPARK PLUG WRENCH	TÄNDSTIFTSNYCKEL
-------------------	------------------

- Inspektera tändstiftet. Byt ut det om elektroderna är slitna eller om isolatorn är sprucken eller flisad.
- Mät tändstiftets elektrodavstånd med ett lämpligt mätinstrument. Avståndet bör vara 0,028 ~ 0,031 tum (0,7 ~ 0,8 mm). Korrigera avståndet om det behövs genom att försiktigt böja sidoelektroden med ett lämpligt verktyg.



0.028-0.031 in (0.7 - 0.8 mm)	0,028-0,031 tum (0,7 - 0,8 mm)
SEALING WASHER	TÄTNINGSBRICKA

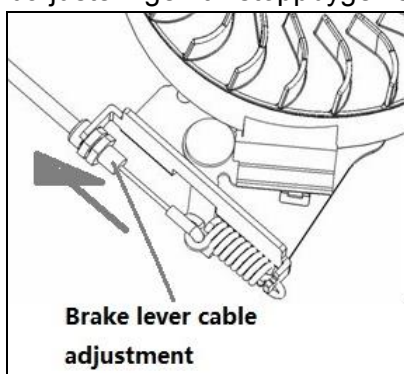
- Montera tändstiftet försiktigt för hand för att undvika korsgångning.
- Montera tändstiftshatten på tändstiftet.



OBSERVERA: Ett löst tändstift kan överhettas och skada motorn. Om man drar åt tändstiftet för mycket kan det skada gängorna i topplocket.

Justering av vajern till stoppbygeln

- Om stoppbygeln är lös ska du vrida justeringen till stoppbygelns vajer för att späna. (se bilden)



Brake lever cable adjustment	Justering av vajern till stoppbygeln
------------------------------	--------------------------------------

Underhållsplan

REGELBUNDEN SERVICEPERIOD		Innan varje användning	Första månaden eller 5 h	Var 3:e månad eller 25 h	Var 6:e månad eller 50 h	Varje år eller 100 h	Vartannat år eller 250 h
DEL Utför varje angiven månad eller drifttimmesintervall, vilket som inträffar först (1)							
Motorolja	Kontrollera	O					
	Byt ut		O	O(2)			
Luftrenare	Kontrollera		O				
	Byt ut			O(3)			
Tändstift	Kontrollera -justera					O	
	Byt ut						O
Svänghjul bromsbelägg (A typer)	Kontrollera					O	
Bränsletank och filter	Rengör			O			
Bränslerör	Kontrollera	Vartannat år (byt ut om nödvändigt)					
Ventilspel	Kontrollera -justera					O	
Förbränning skammare	Rengör	Efter varje 200 h					

(1) För kommersiell användning, logga driftstimmar för att bestämma lämpliga underhållsintervaller.

(2) Byt motorolja var 25 h när den används under stor belastning eller i höga omgivande temperaturer.

(3) Utför service mer frekvent när den används i dammiga områden.

Felsökning

MOTORN STARTAR INTE	Eventuell orsak	Åtgärd
1. Kontrollera bränsle	Slut på bränsle.	Fyll på
	Dåligt bränsle, motorn förvarad utan att behandla eller tömma bensin, eller påfylld med dålig	Töm bensintanken och förgasaren. Fyll på med ny bensin
2. Ta bort och inspektera tändstift	Tändstift defekt, förorenat eller felaktigt elektrodavstånd	Byt ut tändstiftet
	Tändstiftet fuktigt med bränsle (motor övermättad med bränsle).	Torka och montera tändstift
3. Ta motorn till en auktoriserad reparatör eller se servicehandbok	Bränslefilter tilltäppt, funktionsstörning i förgasare, funktionsstörning i tändningen, ventiler har fastnat, etc.	Byt ut eller reparera defekta komponenter om det behövs
4. Tryck på flödarknappen	I kallt förhållande	Tryck på flödarknappen
MOTORN SAKNAR EFFEKT	Eventuell orsak	Åtgärd
1. Kontrollera luftrenare	Elementen i luftrenaren är tilltäppta	Rengör och byt ut luftrenarens element
2. Kontrollera bränsle	Dåligt bränsle, motorn förvarad utan att behandla eller tömma bensin, eller påfylld med dålig	Töm bensintanken och förgasaren. Fyll på med ny bensin
3. Ta motorn till en auktoriserad reparatör eller se servicehandbok	Bränslefilter tilltäppt, funktionsstörning i förgasare, funktionsstörning i tändningen, ventiler har fastnat, etc.	Byt ut eller reparera defekta komponenter om det behövs

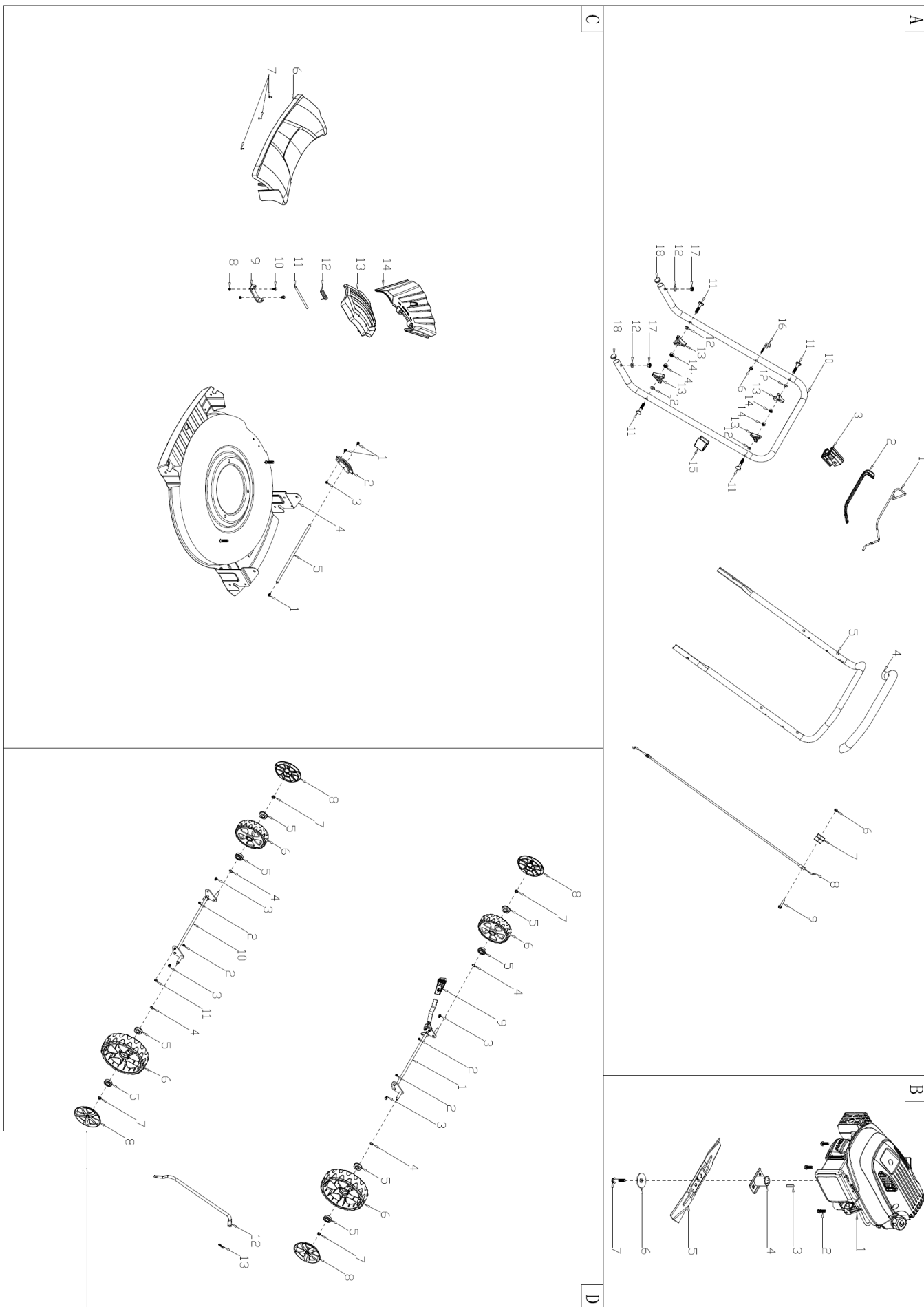
7. FÖRVARING

- Samma bensin får inte vara kvar i tanken under längre tid än en månad.
- Rengör gräsklipparen noggrant och förvara den inomhus på en torr plats.
- Förvara aldrig gräsklipparen med bränsle i tanken inne i en byggnad där den kan utsättas för öppen låga eller gnista.
- För att minska brandrisken ska motorn, ljuddämparen, batterilåda och bränsletank vara fria från gräs, löv och överflödigt fett.
- Om bränsletanken ska tömmas bör detta göras utomhus.
- Var försiktig under justering av maskinen för att förhindra att fingrar fångas mellan kniv i rörelse och fasta delar i maskinen.
- Låt produkten svalna i minst 30 minuter innan förvaring.

8. MILJÖ

Om din maskin behöver bytas ut efter långvarig användning ska den inte kastas bland de vanliga hushållssoporna utan kasseras på ett miljövänligt sätt.

9. SPRÄNGSKISS



10. KOMPONENTLISTA

Pos. nr.	Del nr.	Beskrivning	Specifikation	Anmärkning	Antal
A	Del A				
A-1	G3354000001	Stoppbygel	Q235	Ø7,5 mm	1
A-2	G33Q0000014	Plastdekoration	ABS, G46	P 109C	1
A-3	G3XW0000000	Begränsande stoppare	PA66		1
A-4	G3320000000	Skumledning	NBR	20x510x3 mm	1
A-5	G333F000001	Övre handtag	Q235	Ø22/t = 1,35	1
A-6	B2011B00000	Mutter		M6	2
A-7	G339X300000	Fästklammer för vajer	PA66+GAF		1
A-8	G339XX60000	Bromsvajer	G339XX60000		1
A-9	B1066B06032	Bult		M6x32	1
A-10	G83B1000001	Nedre handtag	Q235	Ø22/t = 1,35	1
A-11	B1083W08045	Bult		M8x45	4
A-12	B5019W00000	Plattbricka		Ø8,5xØ16x1,5 mm	6
A-13	G33C1100010	Justeringsratt	PP		4
A-14	B2020W00000	Mutter		M8	4
A-15	G33H0000000	Vajerstöd	PP		1
A-16	G33K0000000	Linföring	Q235	Ø6 mm	1
A-17	B2009W00000	Mutter		M8	2
A-18	G33J0000000	Handtagsplugg	PP		2
B	Del B				
B-1	Y2P5S000010	Y139V motor	139CC		1
B-2	B1077W08025	Bult		M8x25	3
B-3	BE004W00000	Flatkil	#45	4.775x5x20 mm	1
B-4	G8530000000	Knivadapter	Q235		1
B-5	G8510000000	20" kniv	40MnB	t = 3,5 mm	1
B-6	G3520000000	Knivbricka	65Mn	t = 3 mm	1
B-7	B1001B00032	Knivbult	20Cr	3/8-24UNFx32	1
C	Del C				
C-1	B1057W06010	Bult M6*10		M6x10	2
C-2	G84BC000000	Höjdjustering platta	Q235		1
C-3	B2008W00000	Mutter		M6	1
C-4	G8213000001	Däck		St 1,5	1
C-5	G8XY0000000	Förbindningsstång	Q235		1
C-6	G8240000010	Främre plasticsida	PP		1
C-7	B3023W00000	Skruv		ST 4,8x15-C	3
C-8	B2007W00000	Mutter		M5	2
C-9	G3250000000	Fäste för sidoutkast	Q235	t = 2 mm	1
C-10	B1052W05010	Bult		M5x10	2
C-11	G5260000000	Axel för sidoutkastets skydd	Q235	Ø6 mm	1
C-12	G8270000000	Fjäder för sidoutkastets skydd			1
C-13	G8280000000	Sidoutkastets skydd	PP		1
C-14	G8290000000	Styrpanel för sidoutkast	PP		1
D	Del D				
D-1	G8490000000	Bakhjulsaxelenhet	Q235		1

D-2	B2008W00000	Mutter		M6	4
D-3	B1058W06012	Bult		M6x12	4
D-4	B6009B00000	Fjäderbricka	65Mn	Ø13xØ23,5x0,3x2,5 mm	4
D-5	B0019W00000	Lager		12,7x28,6x8 mm	8
D-6	G24F0000000	7" hjul	PVC+PP	G42	4
D-7	B2017W00000	Mutter		M8	4
D-8	G24R2000014	7" fälgring	PP, G42	P 109C	4
D-9	G3431000014	Handtag för höjjustering	PP	P 109C	1
D-10	G8450000000	Främre hjulaxel	Q235		1
D-11	B2016W00000	Mutter		M6	1
D-12	G8410000000	Höjjusteringsdragstång	Q235	Ø14/t = 1,35 mm	1
D-13	BB004W00000	Saxsprint		Ø2x20 mm	1

11. EU-DEKLARATION OM ÖVERENSSTÄMMELSE

Vi,

Kesko Abp,

Adress: Satamakatu 3, FI-00160, Helsinki, Finland

Telefon: +358-10 53032 Fax: +358-9 857 4783

deklarerar under eget ansvar att följande produkt,

Produkt: Bensindriven gräsklippare

Märkesnamn: FXA

Modell/typ: 501741207 / GL51YL-B

överensstämmer med

maskindirektiv (MD) 2006/42/EG,

direktiv om elektromagnetisk kompatibilitet (EMC) 2014/30/EG,

bullerdirektiv 2000/14/EG, amended by 2005/88/EG, Annex VI

och att följande harmoniserade standarder och tekniska specifikationer har tillämpats:

EN ISO 5395-1:2013

EN ISO 5395-2:2013

EN ISO 14982:2009

PAH AfPS GS 2014:01

Modell:	GL51YL-B / FXA PURE SM51i
Garanterad ljudtrycksnivå vid operatörens plats (Enligt EN ISO 5395-1 Bilaga F & EN ISO 5395-2, EN ISO 4871)	81,40 dB(A) K = 2,50 dB
Uppmätt ljudeffektsnivå Garanterad ljudeffektsnivå (Enligt 2000/14/EC)	94,60 dB(A) – K = 0,44 dB 98 dB(A)
Vibration (Enligt EN ISO 5395-1 Bilaga G & EN ISO 5395-2)	8,802 m/s ² K = 1,5 m/s ²

Helsingfors, Finland, juni, 2016

Notified body: Société Nationale de Certification et d'Homologation. No.: 0499

Address: BP 23, L-5201 Sandweiler

Kesko företagskoncern



Guotao Sun-Own Brand Sourcing and Development Director

K Manufactured for • Valmistuttaja • Tillverkad för • Produsert for • Toode tud • Ražošanas pasūtītājs •
Kieno užsakymu pagaminta • Kesko Corporation Group Companies, Satamakatu 3, FI-00160 Helsinki,
Finland © Kesko 2016. Made in China. Изготовлено для Компаний КЕСКО ГРУП, Финляндия,
Хельсинки, Сатамакату 3, ФИ-00160 кеско 2016. Изготовлено в Китае.