

# FXA



## FXAJD2835

**Instruction manual**

**Käyttöohje**

**Bruksanvisning**

**Bruksanvisning**

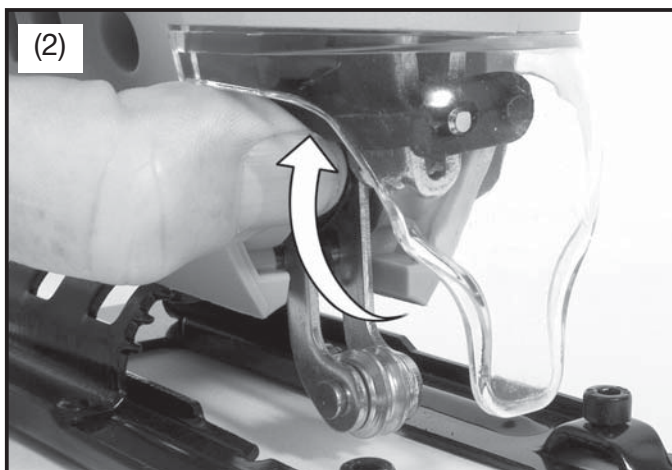
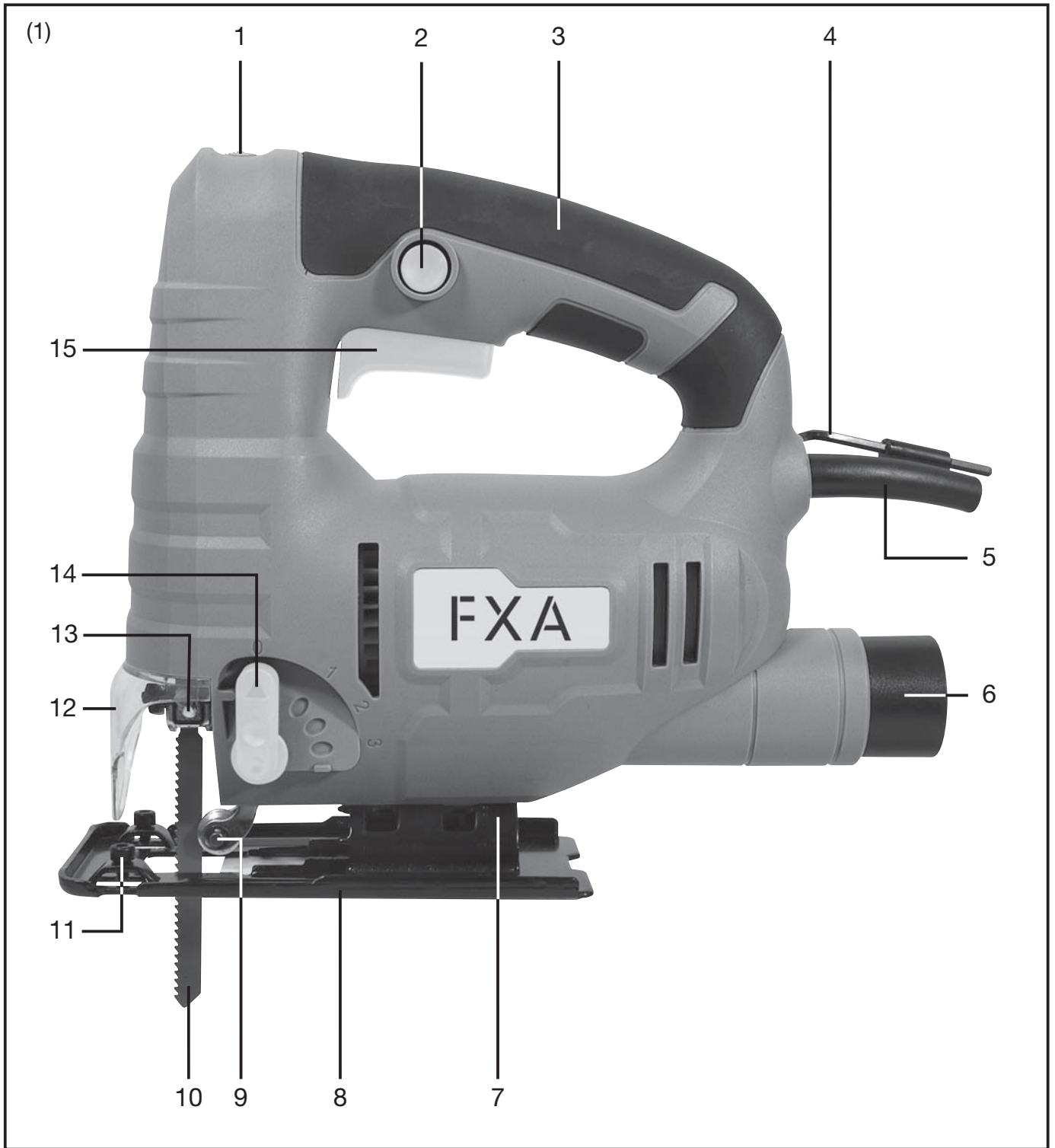
**Руководство пользователя**

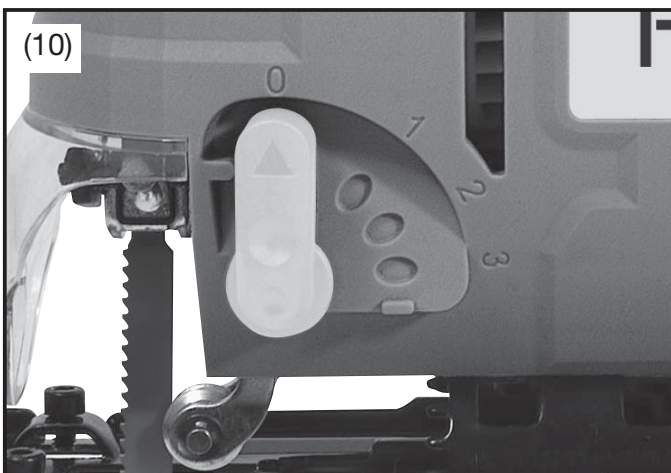
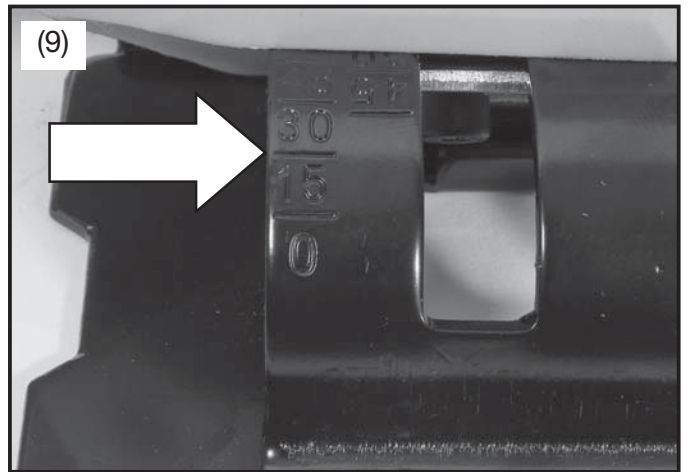
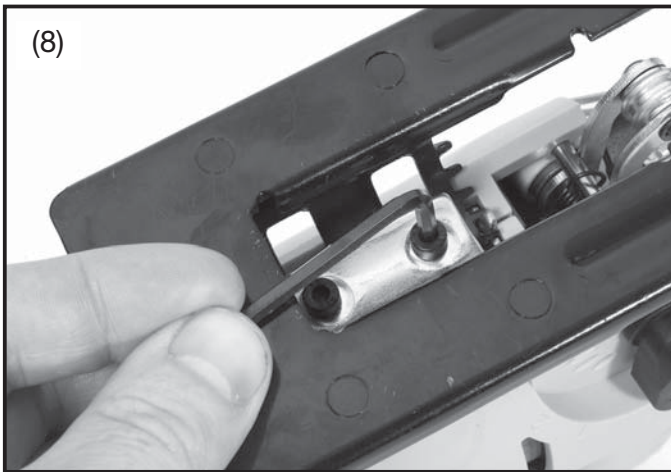
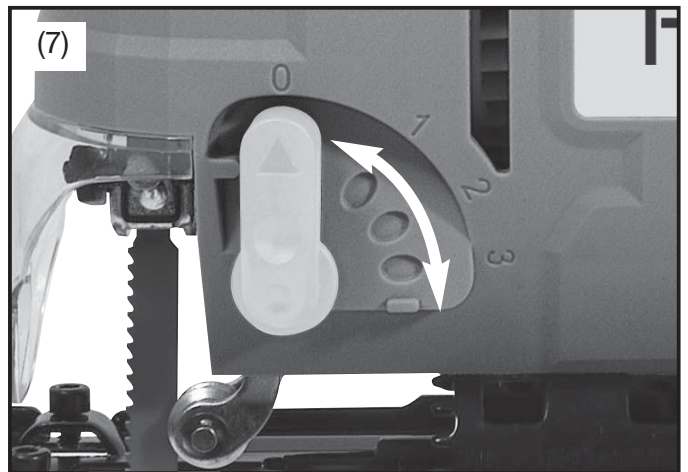
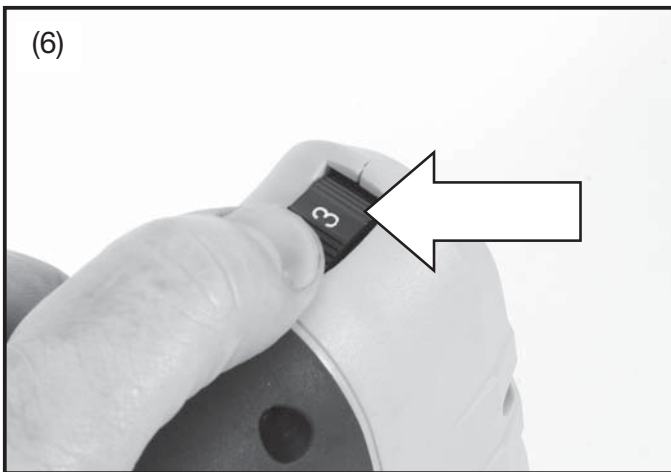
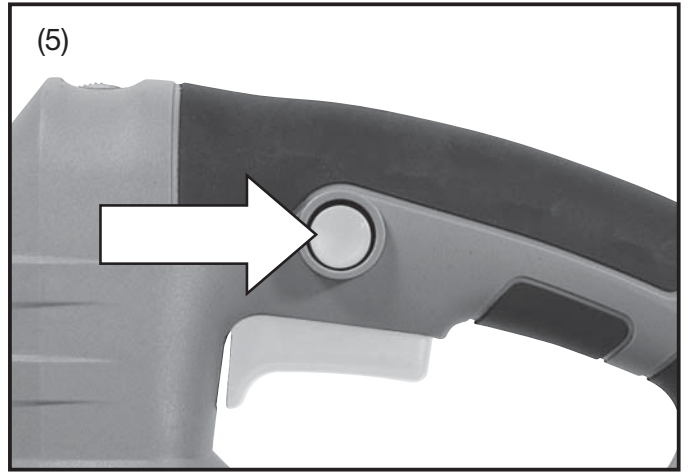
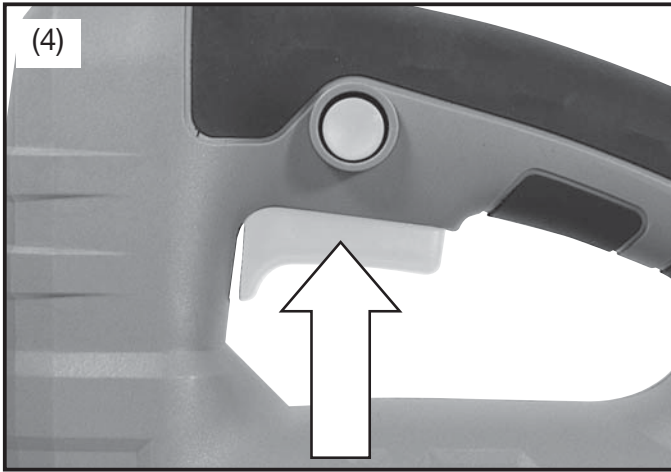
**Kasutusjuhend**

**Instrukcijas**

**Instaliavimo instrukcijos**

<b>GB</b>	pg 4-10
<b>FI</b>	pg 11-16
<b>SE</b>	pg 17-22
<b>NO</b>	pg 23-28
<b>RU</b>	pg 29-35
<b>EE</b>	pg 36-41
<b>LV</b>	pg 42-47
<b>LT</b>	pg 48-53





<b>IMPORTANT!</b>	Read all safety warnings, instructions, illustrations and specifications provided with this power tool.
<b>TÄRKEÄÄ!</b>	Lue tarkkaavaisesti kaikki tämän työkalun kanssa toimitetut varoitukset, ohjeet ja spesifikaatiot, ja katso lisäksi kuvat.
<b>VIKTIGT!</b>	Läs uppmärksamt alla varningar, instruktioner och specifikationer som bifogas med detta verktyg och studera bilderna.
<b>VIKTIG!</b>	Les nøye gjennom alle advarslene, instruksene og spesifikasjonene som følger med verktøyet, og se på tegningene.
<b>ВАЖНО!</b>	Прочтите все указания, инструкции, иллюстрации и спецификации, поставляемые с электроинструментом.
<b>TÄHTIS!</b>	Lugege läbi kõik elektrilise tööriista kohta esitatud ohuhoiatused ning tutvuge tööriista jooniste ja tehniliste andmetega.
<b>SVARĪGI!</b>	Izlasiet visus drošības brīdinājumus, instrukcijas, specifikācijas un apskatiet attēlus šī elektroinstrumenta dokumentācijā.
<b>SVARBU!</b>	Perskaitykite visus saugos įspėjimus, visas instrukcijas, paveikslėlius ir techninius reikalavimus, pateikiamus su šiuo elektriniu įrankiu.

## **INTRODUCTION**

Thankyou for purchasing this product which has passed through our extensive quality assurance process. Every care has been taken to ensure that it reaches you in perfect condition.

## **SAFETY FIRST**

Before attempting to operate this power tool the following basic safety precautions should always be taken to reduce the risk of fire, electric shock and personal injury. It is important to read the instruction manual to understand the application, limitations and potential hazards associated with this tool.

## **CERTIFICATE OF GUARANTEE**

This product is guaranteed for a period of 2 Years, with effect from the date of purchase and applies only to the original purchaser. This guarantee only applies to defects arising from, defective materials and or faulty workmanship that become evident during the guarantee period only and does not include consumable items. The manufacturer will repair or replace the product at their discretion subject to the following. That the product has been used in accordance with the guide lines as detailed in the product manual and that it has not been subjected to misuse, abuse or used for a purpose for which it was not intended. That it has not been taken apart or tampered with in any way whatsoever or has been serviced by unauthorised persons or has been used for hire purposes. Transit damage is excluded from this guarantee, for such damage the transport company is responsible. Claims made under this guarantee must be made in the first instance, directly to the retailer within the guarantee period. Only under exceptional circumstances should the product be returned to the manufacturer. In these case it shall be the consumer's responsibility to return the product at their cost ensuring that the product is adequately packed to prevent transit damage and must be accompanied with a brief description of the fault and a copy of the receipt or other proof of purchase. The manufacturer shall not be liable for any special, exemplary, direct, indirect, incidental, or consequential loss or damage under this guarantee. This guarantee is in addition to and does not affect any rights, which the consumer may have by virtue of the Sale of Goods Act 1973 as amended 1975 and 1999.

## **STATUTORY RIGHTS**

This guarantee is in addition to and in no way affects your statutory rights.

## **PRODUCT DISPOSAL**

When this product reaches the end of it's life or is disposed of for any other reason, it must not be disposed of in household waste. In order to preserve natural resources, and to minimise adverse environmental impact, please recycle or dispose of this product in an environmentally friendly way. It should be taken to your local waste recycling centre or other authorised collection and disposal facility.

If in doubt consult your local waste authority for information regarding available recycling and / or disposal options.

## **SPECIFIC SAFETY INSTRUCTIONS**

**WARNING!** Some wood and wood type products especially MDF (Medium Density Fibreboard) can produce dust that can be hazardous to your health. We recommend the use of an approved face mask with replaceable filters when using this machine in addition to using the dust extraction facility.

Do not start the machine with the blade in contact with the work piece.

If the jigsaw is fitted with an adjustable blade guide roller or pendulum action ensure that this is correctly adjusted.

If the jigsaw is fitted with variable speed adjustment, select the correct speed for the job. The speed can be changed while the motor is running. Do not change the speed whilst cutting.

Check the work piece for any protruding nails, screw heads or anything that could damage the blade.

Ensure that there are no obstructions underneath the work piece, it is easy to cut into sawhorses and bench tops.

Hold the machine correctly and adopt a stable stance. Make sure that the mains cable is prevented from coming into contact with the machine or getting caught up on other objects preventing completion of the cutting pass.

Use the correct blade for the job and replace the blade as soon as it becomes worn, this will ensure ease of cutting and prolong the life of the machine. Never try and adapt and use the machine for a purpose it was not intended.

Always ensure that the base plate is in firm contact with the work piece before starting the cut.

Do not force the jigsaw, let the jigsaw do the work. Forcing the jigsaw will reduce the life of the blade putting undue pressure on the machine.

Ensure the saw is clear of the workpiece before turning on.

Allow the jigsaw to stop completely before removing it from the work piece.

Do not try and cut a curve that is too tight, this will put undue pressure on the blade causing it to snap.

Always keep your jigsaw clean and free from oil and grease.

Do not use caustic cleaning agents to clean the plastic housing.

Always keep the motor vent holes in the casing free of dirt,dust or other obstructions.

Always use a vacuum cleaner to clean the dust extraction unit after each use.

Wear eye protection at all times.

Water must never come into contact with the machine or cables.

Do not use the jigsaw as wet cutter, ie immersing the blade in water. A fatal shock will occur.

When using an extension cable unreel fully (minimum wire diameter of extension lead to be 1mm<sup>2</sup>). If in doubt consult a qualified electrician.

Clamp work in a suitable work bench which allows both hands to operate the power tool.

Do not cut any workpiece which size is beyond the saws capacity.

Grip the tool firmly.

Never touch the moving blade by hand.

Check the position of power cables before cutting into wooden walls or wall panels

Do not touch the blade of the saw after operation, it will be very hot.

Keep jigsaw cable away from blade. Clamp down if possible before cutting begins.

Keep hands from under work piece.

### **GENERAL SAFETY RULES**

**WARNING!** Read all instructions Failure to follow all instructions listed below may result in electric shock, fire and/or serious injury. The term "power tool" in all of the warnings listed below refers to your mains operated (corded) power tool or battery operated (cordless) power tool.

### **SAVE THESE INSTRUCTIONS**

#### **1) WORK AREA**

- a) Keep work area clean and well lit. Cluttered and dark areas invite accidents.
- b) Do not operate power tools in explosive atmospheres, such as in the presence of flammable liquids, gases or dust. Power tools create sparks which may ignite the dust or fumes.
- c) Keep children and bystanders away while operating a power tool. Distractions can cause you to lose control.

#### **2) ELECTRICAL SAFETY**

- a) Power tool plugs must match the outlet. Never modify the plug in any way. Do not use any adapter plugs with earthed (grounded) power tools. Unmodified plugs and matching outlets will reduce risk of electric shock.

- b) Avoid body contact with earthed or grounded surfaces such as pipes, radiators, ranges and refrigerators.  
There is an increased risk of electric shock if your body is earthed or grounded.
- c) Do not expose power tools to rain or wet conditions. Water entering a power tool will increase the risk of electric shock.
- d) Do not abuse the cord. Never use the cord for carrying, pulling or unplugging the power tool. Keep cord away from heat, oil, sharp edges or moving parts. Damaged or entangled cords increase the risk of electric shock.
- e) When operating a power tool outdoors, use an extension cord suitable for outdoor use. Use of a cord suitable for outdoor use reduces the risk of electric shock.

### **3) PERSONAL SAFETY**

- a) Stay alert, watch what you are doing and use common sense when operating a power tool. Do not use a power tool while you are tired or under the influence of drugs, alcohol or medication. A moment of inattention while operating power tools may result in serious personal injury.
- b) Use safety equipment. Always wear eye protection. Safety equipment such as dust mask, non-skid safety shoes, hard hat, or hearing protection used for appropriate conditions will reduce personal injuries.
- c) Avoid accidental starting. Ensure the switch is in the off position before plugging in. Carrying power tools with your finger on the switch or plugging in power tools that have the switch on invites accidents.
- d) Remove any adjusting key or wrench before turning the power tool on.  
A wrench or a key left attached to a rotating part of the power tool may result in personal injury.
- e) Do not overreach. Keep proper footing and balance at all times. This enables better control of the power tool in unexpected situations.
- f) Dress properly. Do not wear loose clothing or jewellery. Keep your hair, clothing and gloves away from moving parts. Loose clothes, jewellery or long hair can be caught in moving parts.
- g) If devices are provided for the connection of dust extraction and collection facilities, ensure these are connected and properly used. Use of these devices can reduce dust related hazards.

### **4) POWER TOOL USE AND CARE**

- a) Do not force the power tool. Use the correct power tool for your application. The correct power tool will do the job better and safer at the rate for which it was designed.

- b) Do not use the power tool if the switch does not turn it on and off. Any power tool that cannot be controlled with the switch is dangerous and must be repaired.
- c) Disconnect the plug from the power source before making any adjustments, changing accessories, or storing power tools. Such preventive safety measures reduce the risk of starting the power tool accidentally.
- d) Store idle power tools out of the reach of children and do not allow persons unfamiliar with the power tool or these instructions to operate the power tool. Power tools are dangerous in the hands of untrained users.
- e) Maintain power tools. Check for misalignment or binding of moving parts, breakage of parts and any other condition that may affect the power tools operation. If damaged, have the power tool repaired before use. Many accidents are caused by poorly maintained power tools.
- f) Keep cutting tools sharp and clean. Properly maintained cutting tools with sharp cutting edges are less likely to bind and are easier to control.
- g) Use the power tool, accessories and tool bits etc., in accordance with these instructions and in the manner intended for the particular type of power tool, taking into account the working conditions and the work to be performed. Use of the power tool for operations different from intended could result in a hazardous situation.

## 5) SERVICE

- a) Have your power tool serviced by a qualified repair person using only identical replacement parts. This will ensure that the safety of the power tool is maintained.

### UNPACKING

Caution! This packaging contains sharp objects. Take care when unpacking. Remove the machine, together with the accessories supplied, from the packaging. Check carefully to ensure that the machine is in good condition and account for all the accessories listed in this manual. Also make sure that all the accessories are complete. If any parts are found to be missing, the machine and its accessories should be returned together in their original packaging to the retailer.

Do not throw the packaging away, keep it safe throughout the guarantee period, then recycle if possible, otherwise dispose of it by the proper means. Do not let children play with empty plastic bags due to the risk of suffocation.

## COMPONENTS & CONTROLS (FIG.1)

1.	Variable speed dial
2.	Lock-on button
3.	Handle
4.	Hex key
5.	Power cable
6.	Dust extraction outlet
7.	Angle scale
8.	Saw base plate
9.	Blade roller support
10.	Blade
11.	Parallel guide locking knob
12.	Blade guard
13.	Quick change blade clamp lever
14.	Orbital adjustment knob
15.	On/Off trigger

### ASSEMBLY

Note: Before carrying out any assembly or disassembly of the unit please ensure that the unit is not connected to the electrical supply.

### INSTALLING JIGSAW BLADES

Selecting the correct type of blade is important in order to obtain the best performance from the saw. Select the blade based on the application and on the material you wish to cut. Selecting the right blade will give you a smoother, faster cut and prolong the life of the blade.

The toolless blade changing system eliminates the need for tools when installing or changing a blade.

Note: Before attaching a blade please ensure that the unit is not connected to the electrical supply.

Lift the quick change blade clamp lever until it stops, Fig 2.

Holding the blade clamp lever up, insert the saw blade as far as possible into the slot in the saw bar, Fig 3.

Check to make sure the back of the saw blade is centered in the groove of the roller guide.

Release the blade clamp lever. Make sure the blade is securely in place.

Note: During use periodically check the security of the blade.

## **TURNING THE JIGSAW ON & OFF**

To turn the jigsaw ON, depress the On/Off switch, Fig 4.

Release the On/Off switch to turn the jigsaw OFF.

## **LOCK-ON BUTTON**

The jigsaw is equipped with a lock-on feature, which is convenient when continuous cutting for extended periods of time is required. To lock-on, depress the On/Off switch, push in and hold the lock-on button, Fig 5, then release the On/Off switch.

Release the lock-on button and your jigsaw will continue running.

To release the lock, depress the On/Off switch and release.

If you have the lock-on feature engaged during use and your saw becomes disconnected from power supply, disengage the lock-on feature immediately.

**Warning!** Before connecting the jigsaw to power supply, always check to be sure it is not in lock-on position (depress and release On/Off switch). Failure to comply could result in accidental starting and possible serious injury. Also, do not lock the trigger on jobs where the jigsaw may need to be stopped suddenly.

## **VARIABLE SPEED CONTROL**

The variable speed feature allows the jigsaw to operate at speeds that can be increased by rotating the dial from 1 (slow) to 6 (fast). The dial is conveniently located on top of the jigsaw, allowing the operator control of blade speed, Fig 6.

To increase the speed: Turn the variable speed dial to a higher number setting.

To decrease the speed: Turn the variable speed dial to a lower number setting.

Avoid running your jigsaw at low speeds for extended periods of time. Running at low speeds under constant usage may cause your jigsaw to become overheated. If this occurs, cool your saw by running it without a load and at full speed.

The following guidelines may be used in determining correct speed for various applications:

Low speed is ideal when minimum speed and power is required, for example, starting cuts.

Medium speed is suitable for cutting hard metals, plastics, and laminates.

HIGH speed produces best results when maximum power is required, for example, cutting wood. Soft metals such as aluminum, brass, and copper may also require high speeds.

## **ORBITAL MOTION**

The blade of the jigsaw cuts in an orbital motion. This feature is adjustable and provides faster, more efficient cutting.

With orbital motion the blade cuts through your work in the upstroke but does not drag across your work in the downstroke. The higher settings should be used when fast cutting in soft material is desired. The lower settings should be used when cutting materials with more resistance. The '0' setting shuts off the orbital motion. Setting '3' offers the maximum orbital motion, Fig 7.

## **ANGLE CUTTING (BEVEL CUTTING)**

To set the cutting angle to one of the preset angles of 15°, 30° or 45°.

Loosen the two hexagon screws (Fig 8) located on the underside of the machine using the hexagon key provided.

Slightly raise the base until the base can be moved to one of the preset cutting angles shown on the angle scale (Fig 9). Finally re-tighten the hex screws.

## **METAL CUTTING**

**NOTE:** The jigsaw has to be in the no-orbit mode to cut metals and conduit. Set the orbital adjustment knob to "0", Fig 10.

When cutting metals a suitable cooling/cutting oil must be used. Simply squirt the lubricant onto the blade or work piece at regular intervals during cutting to reduce blade wear.

**NOTE:** Do not immerse the jigsaw in water or allow coolant to enter the casing. A fatal electric shock could occur.

When cutting conduit, pipe or angle iron, clamp work in a vice if possible and saw close to the vice. To cut thin sheet materials, "sandwich" the material between hardboard or plywood and clamp the layers to eliminate vibration and material tearing. By doing this, the material will be cut smoothly. Lay out your pattern or line of cut on top of the "sandwich."

**Note:** When cutting metal, keep exposed portion of saw bar clean and free of metal chips by wiping frequently with an oily cloth. Use extreme caution in disposing of oily cloth after completion of job to prevent potential fire hazard.

## **CIRCLE CUTTING**

When starting a cut from the center of the work piece, drill a 12mm diameter hole to ensure that there is enough clearance for the blade.

## **TIP**

When cutting materials with a decorative or polished finish cover either the base of the jigsaw or the surface of the material being cut with masking or other suitable tape to prevent scratching.



## MAINTENANCE

Warning! To avoid accidents always disconnect the tool from the power supply before cleaning or performing any maintenance.

This power tool normally requires no maintenance; from time to time the ventilation slots on the motor casing should be cleaned out. If the unit should become defective, repair should be performed by an authorized service agent for electric tools.

The tool may be cleaned most effectively with compressed dry air. Always wear safety goggles when cleaning tools with compressed air.

Ventilation openings and switch levers must be kept clean and free of foreign matter. Do not attempt to clean by inserting pointed objects through openings.

Avoid using solvents when cleaning plastic parts. Most plastics are susceptible to damage from various types of commercial solvents and may be damaged by their use. Use clean cloths to remove dirt, dust, oil, grease, etc.

**WARNING!** Do not at any time let brake fluids, gasoline, petroleum based products, penetrating oils, etc., come in contact with plastic parts. Chemicals can damage, weaken or destroy plastic which may result in serious personal injury.

Electric tools used on fiberglass material, wallboard, spackling compounds, or plaster are subject to accelerated wear and possible premature failure because the fiberglass chips and grindings are highly abrasive to bearings, brushes, commutators, etc. Consequently, we do not recommend using this tool for extended work on these types of materials. However, if you do work with any of these materials, it is extremely important to clean the tool using compressed air.

## LUBRICATION

All of the bearings in this tool are lubricated with a sufficient amount of high grade lubricant for the life of the unit under normal operating conditions. Therefore, no further lubrication is required.

## TECHNICAL SPECIFICATION

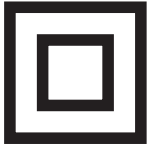
Voltage	230V - 50Hz
Motor	480W
No load speed	800-3000 min <sup>-1</sup>
Max. cut in wood	65mm
Max. cut in steel	6mm
Cutting angles	0°/15°/30°/45°
Sound Pressure Level	L <sub>pA</sub> 87 dB(A) K=3dB(A)
Sound Power Level	L <sub>WA</sub> 98 dB(A) K=3dB(A)
Vibration Level	a <sub>h,B</sub> =8.571 m/s <sup>2</sup> , K=1.5m/s <sup>2</sup>  a <sub>h,M</sub> =6.834 m/s <sup>2</sup> , K=1.5m/s <sup>2</sup>

## SYMBOLS

The rating plate on your tool may show symbols. These represent important information about the product or instructions on its use.



- Wear hearing protection.
- Wear eye protection.
- Wear respiratory protection.



Double insulated for additional protection.



Conforms to relevant safety standards.



Read the instruction manual.



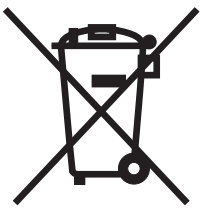
Waste electrical products should not be disposed of with household waste. Please recycle where facilities exist. Check with your Local Authority or retailer for recycling advice.



Product conforms to RoHS requirements

## ENVIRONMENTAL PROTECTION

Information for (private householders) for the environmentally responsible disposal of Waste Electrical and Electronic Equipment (WEEE)



This symbol on products and or accompanying documents indicates that used and end of life electrical and electronic equipment should not be disposed of in household waste. For the proper disposal, treatment, recovery and recycling, please take these products to designated collection points, where they will be accepted on a free of charge basis. Alternatively, in some countries you may be able to return your products to your retailer upon the purchase of an equivalent new product. Disposing of this product correctly will help to save valuable resources and prevent any potential adverse effects on human health and the environment which could otherwise arise from inappropriate waste disposal and handling. Please contact your local

authority for further details of your nearest designated collection point. Penalties may be applicable for incorrect disposal of this waste in accordance with national legislation.

### FOR BUSINESS USERS IN THE EUROPEAN UNION.

If you wish to discard electrical and electronic equipment, please contact your dealer or supplier for further information.

### Information on Disposal in other Countries outside the European Union.

This Symbol is only valid in the European Union.

If you wish to dispose of this product, please contact your local authorities or dealer and ask for the correct method of disposal.

## SÄHKÖISET TIEDOT

### TÄRKEÄÄ

Tämä tuote on varustettu sinetöidyllä sähköpistokkeella, joka sopii työkalulle ja käyttömaassa käytetylle virralle ja vastaa kansainvälisiä standardeja.

Laite tulee kytkeä arvokilvessä ilmoitettua jännitteeseen. Jos pistoke tai sähköjohto on vaurioitunut, ne tulee vaihtaa täysin samanlaiseen sarjaan.

Noudata aina käyttömaassa voimassa olevia sähköverkkoon kytkemistä koskevia lakeja.

Ota tarvittaessa aina yhteys ammattitaitoiseen sähköasentajaan.

### ESITTELY

Kiitos, että ostit tämän tuotteen, joka on läpäissyt kattavan laatutarkastusprosessimme. Kaikki on tehty sen varmistamiseksi, että saat sen täydellisessä toimintakunnossa.

### TURVALLISUUS ENSIN

Seuraavat perusvaroitimet on tehtävä ennen sähkötyökalun käyttämistä tulipalojen, sähköiskujen ja henkilövahinkojen estämiseksi. On tärkeää lukea nämä käyttöohjeet, jotta ymmärrät tämän työkalun käytön, siihen liittyvät rajoitukset ja potentiaaliset vaarat.

### TAKUUTODISTUS

Tällä tuotteella on 2 vuoden takuu, joka alkaa ostopäivästä ja koskee vain ensimmäistä ostajaa. Tämä takuu kattaa vain virheet, jotka aiheutuvat raaka-aine- ja valmistusvirioista, ja jotka tulevat esille takuuajana. Takuu ei korvaa kuluvia osia. Valmistaja korjaa tai vaihtaa tuotteen harkintansa mukaan edellyttäen seuraavassa mainittuja asioita. Tuotetta on käytetty käsikirjan ohjeiden mukaisesti, ja sitä ei ole käytetty väärin tai huolimattomasti tai tarkoitukseen, johon sitä ei ole tarkoitettu käytettäväksi. Laitetta ei ole purettu osiin tai peukaloitu millään tavalla, sitä ei ole huollatettu valtuuttamattomilla henkilöillä tai käytetty vuokrauksen kohteena. Kuljetusvauriot eivät kuulu tämän takuun piiriin. Niistä on vastuussa kuljetusliike. Takuuvaateet on esitettävä ensisijaisesti suoraan jälleenmyyjälle takuukauden aikana. Tuote tulee palauttaa valmistajalle vain poikkeuksellisissa tapauksissa. Näissä tapauksissa ostajan vastuulla on tuotteen palauttaminen omalla kustannuksellaan ja varmistaa, että se on asianmukaisesti pakattu kuljetusvaurioiden estämiseksi. Mukaan tulee liittää lyhyt kuvaus viasta ja kopio kuitista tai muusta ostotodistuksesta. Valmistaja ei ole vastuussa mistään erityisistä, esimerkillisistä, suorista, välillisistä, satunnaisista tai epäsuorista menetyksistä tai vahingoista takuun aikana. Tämä takuu tulee lisänä, eikä vaikuta oikeuksiin, joita kuluttajalla saattaa olla vuoden 1973 Tavarannmyyntilain ja siihen vuonna 1975 ja 1999 tehtyjen muutosten mukaisesti.

### LAKISÄÄTEISET OIKEUDET

Tämä takuu on lisänä, eikä vaikuta lakisääteisiin oikeuksiisi.

### TUOTTEEN HÄVITTÄMINEN

Kun tuotteen käyttöikä loppuu tai se hävitetään jostakin muusta syystä, sitä ei saa hävittää kotitalousjätteen mukana. Luonnonvarojen säilyttämiseksi ja haitallisten ympäristövaikutusten minimoimiseksi, kierrätä tuote tai hävitä muulla ympäristöystävällisellä tavalla. Tuote tulee viedä

paikalliseen kierrätyskeskukseen tai muuhun viralliseen keräily- ja hävityspisteeseen.

Jos olet epävarma, kysy kierrätys- ja/tai hävittämisvaihtoehdoista paikalliselta jäteliikkeeltä.

### ERITYISET TURVAOHJEET

VAROITUS! Jotkin puut tai puuntyyppiset tuotteet, etenkin MDF (puolikova kuitulevy), voivat tuottaa pölyä, joka saattaa olla vaarallista terveydellesi. Laitetta käytettäessä suosittelemme käyttämään pölynpoistolaitteen lisäksi hyväksytyä kasvusojusta, jossa on vaihdettavat suodattimet.

Älä käynnistä laitetta siten, että terä koskettaa työstettävää kappaletta.

Jos pistosaha on varustettu säädettävällä terän ohjaustelalla tai heiluritoiminnolla, varmista, että se on oikein säädetty.

Jos pistosaha on varustettu portaattomalla nopeuden säädöllä, valitse työhön sopiva nopeus. Nopeutta voidaan vaihtaa moottorin ollessa käynnissä. Älä vaihda nopeutta leikkuun aikana.

Tarkista työstettävä kappale naulojen, ruuvinkantojen tai minkä tahansa varalta, joka voisi vaurioittaa terää.

Varmista, että sahanterälle on esteettömästi tilaa työkappaleen alla, muuten sahaat helposti sahapukkiin tai työpenkkiin.

Pidä konetta oikein ja seiso vakaasti. Varmista, ettei virtajohto pääse kosketuksiin koneen kanssa tai jää kiinni muihin esineisiin estäen leikkuutyön suorittamisen.

Käytä työhön sopivaa terää ja vaihda terä heti, kun se on kulunut. Tällä varmistat helpon työskentelyn ja pidennät koneen käyttöikä. Älä muuta tai mukauta konetta tarkoitukseen, johon sitä ei ole tarkoitettu.

Varmista, että aluslevy koskettaa työkappaletta ennen kuin käynnistät leikkuun.

Älä pakota lehtisahaa, anna pistosahan tehdä työ. Pistosahan pakottaminen lyhentää terän käyttöikä ja aiheuttaa turhaa kuormitusta koneelle.

Varmista, että saha on irti työkappaleesta ennen kuin käynnistät sen.

Anna pistosahan pysähtyä kokonaan ennen kuin irrotat sen työkappaleesta.

Älä yritä leikata liian jyrkkää kaarta. Sen aiheuttaa turhaa painetta terälle ja voi katkaista sen.

Pidä pistosaha aina puhtaana sekä siistinä öljyistä ja rasvoista.

Älä käytä syövyttäviä puhdistusaineita muovikotelon puhdistamiseen.

Pidä moottorin tuuletusaukot vapaina liasta, pölystä ja muista esteistä.

Käytä pölynimuria pölynpoistolaitteen puhdistamiseen käytön jälkeen.

Käytä aina suojalaseja.

Kone tai sen johdot eivät saa joutua kosketuksiin veden kanssa.

Älä käytä pistosahaa märkäleikkuuseen tai upota terää veteen. Se voi aiheuttaa hengenvaarallisen sähköiskun.

Käyttäessäsi jatkojohtoa kelaa se kokonaan auki (jatkojohdon johtimen minimi läpimitta on 1 mm<sup>2</sup>). Jos olet epävarma, ota yhteyttä sähköasentajaan.

Kiinnitä työkappale sopivaan työpenkkiin, jolloin voit käyttää sähkötyökalua molemmilla käsillä.

Älä leikkaa mitään työkappaletta, jonka koko ylittää sahan kapasiteetin.

Tartu työkaluun tukevalla otteella.

Älä koskaan koske liikkuvaan terään.

Tarkista sähköjohtojen sijainnit ennen kuin sahaat puuseiniä tai seinäpaneeleita.

Älä koske sahanterään heti käytön jälkeen. Se on erittäin kuuma.

Pidä pistosahan johto etäällä terästä. Kiinnitä se, mikäli mahdollista, ennen työskentelyn aloittamista.

Pidä kädet pois työkappaleen alta.

## **YLEISET TURVALLISUUSÄÄNNÖT**

**VAROITUS!** Lue kaikki ohjeet

Alla olevien ohjeiden noudattamatta jättäminen voi aiheuttaa sähköiskun, tulipalon ja/tai vakavan vamman. Käsite ”sähkötyökalu” kaikissa alla luetelluissa varoituksissa viittaa työkaluun tai akkukäyttöiseen (johdottomaan) sähkötyökaluun.

## **PIDÄ NÄMÄ OHJEET TALLELLA**

### **1) TYÖALUE**

- Pidä työalue puhtaana ja hyvin valaistuna. Roskaiset tai pimeät alueet lisäävät onnettomuusriskiä.
- Älä käytä työkaluja ympäristöissä, joissa on räjähdysvaara, kuten helposti syttyvien nesteiden, kaasujen tai pölyn läsnä ollessa. Työkalut synnyttävät kipinöitä, jotka voivat sytyttää pölyn tai höyryt tuleen.

- Pidä lapset ja sivulliset poissa työkalua käytettäessä. Häiriötekijät voivat haitata keskittymistä.

### **2) SÄHKÖTURVALLISUUS**

- Sähkötyökalun pistokkeiden tulee vastata pistorasiaa. Älä koskaan muuta pistoketta millään tavalla. Älä käytä sovittipistokkeita maadoitettujen sähkötyökalujen kanssa. Muuttamattomat pistokkeet ja yhteensopivat pistorasiat vähentävät sähköiskun vaaraa.
- Vältä vartalokosketusta maadoitettuihin pintoihin kuten putkiin, lämmittimiin, liesiin tai jääkaappeihin. Sähköiskun vaara kasvaa, josvartalosi on maadoitettu.
- Suojaa sähkötyökalut sateelta ja kosteudelta. Sähkötyökalun sisään päässyt vesi lisää sähköiskun vaaraa.
- Älä käytä johtoa väärin. Älä koskaan käytä johtoa sähkötyökalun kantamiseen, vetämiseen tai irrottamiseen pistorasiasta. Pidä johto kaukana lämmöstä, öljystä, terävistä reunoista ja liikkuvista osista. Vaurioituneet tai sotkeutuneet johdot lisäävät sähköiskun vaaraa.
- Kun sähkötyökalua käytetään ulkotiloissa, käytä jatkojohtoa, joka soveltuu ulkokäyttöön. Ulkokäyttöön sopivan johdon käyttö vähentää sähköiskun vaaraa.

### **3) HENKILÖTURVALLISUUS**

- Pysy valppaana, katso mitä teet ja käytä tervettä järkeä käyttäessäsi työkalu. Älä käytä työkalu ollessasi väsynyt tai huumeiden, alkoholin tai lääkkeiden vaikutuksen alaisena. Hetkellinen epähuomio työkalu käytettäessä voi johtaa vakaviin henkilövammoihin.
- Käytä suojavarustusta. Käytä aina suojalaseja. Turvavarustus kuten hengityssuojain, liukumattomat turvajalkineet, suojakypärä tai kuulosuojain käytettynä asianmukaisissa olosuhteissa vähentää henkilövammoja.
- Vältä vahinkokäynnistyksiä. Varmista, että kytkin on off-asennossa (sammuutettuna) ennen virran kytkemistä. Työkalun kantaminen sormi kytkimellä tai virran kytkeminen päälle työkaluihin, joiden kytkin on päällä, voi aiheuttaa onnettomuuksia.
- Poista säätöavaimet tai jakoavaimet ennen työkalun käynnistämistä. Jako- tai muu avain, joka on jätetty kiinni työkalun pyörivään osaan voi aiheuttaa henkilövamman.
- Älä kurkottele. Pidä asianmukainen jalansija ja tasapaino kaiken aikaa. Tämä mahdollistaa työkalun paremman hallinnan odottamattomissa tilanteissa.

- f) Pukeudu asianmukaisesti. Älä pidä löysiä vaatteita tai koruja. Pidä hiuksesi, vaatteesi ja käsineesi poissa liikkuvista osista. Löysät vaatteet, korut tai pitkä tukka voivat jäädä kiinni liikkuviin osiin.
- g) Jos pölynpoistoon tai keräyslaitteisiin kytkettäviä laitteita on toimitettu, varmista, että ne on kytketty ja niitä käytetään asianmukaisesti. Näiden laitteiden käyttö voi vähentää pölyyn liittyviä vaaroja.

#### 4) TYÖKALUN KÄYTTÖ JA HUOLTO

- a) Älä käytä voimaa työkaluun. Käytä käyttötarkoitukseesi soveltuvaa työkalua. Asianmukainen työkalu toimii paremmin ja turvallisemmin teholla, jolla se on suunniteltu.
- b) Älä käytä työkalua, jos kytkin ei käännä sitä päälle ja pois päältä. Työkalu, jota ei voida kontrolloida kytkimestä on vaarallinen, ja se tulee korjata.
- c) Säilytä seisovat työkalut poissa lasten ulottuvilta, äläkä anna henkilöiden, jotka eivät tunne työkalua tai näitä ohjeita, käyttää työkalua. Työkalut ovat vaarallisia kouluttamattomien käyttäjien käsissä.
- d) Pidä työkalut kunnossa. Tarkasta liikkuvien osien kohdistusvirheet tai kiinnitykset, osien murtumat ja muut seikat, jotka voivat vaikuttaa sähkötyökalujen käyttöön. Jos työkalu on vaurioitunut, korjauta se ennen käyttöä. Monet onnettomuudet aiheutuvat huonosti kunnossapidetyistä työkaluista.
- e) Pidä leikkaustyökalut terävinä ja puhtaina. Asianmukaisesti kunnossapidetyt leikkaustyökalut, joissa on terävät leikkausreunat, eivät juutu helposti ja niiden käsittely on helpompaa.
- f) Käytä työkalua, lisävarusteita ja työkalupaloja tms. näiden ohjeiden mukaisesti ja tavalla, johon kyseessä oleva sähkötyökalu on tarkoitettu, ottaen huomioon työolosuhteet ja suoritettava työ. Työkalun käyttö toimintoihin, joihin sitä ei ole tarkoitettu, voi johtaa vaaralliseen tilanteeseen.

#### 5) HUOLTO

- a) Jätä työkalun huolto pätevälle korjaajalle, joka käyttää ainoastaan täsmälleen samanlaisia varaosia. Näin varmistetaan, että työkalun turvallisuus säilyy.

#### PAKKAUKSESTA PURKU

Huomio! Tämä pakkaus sisältää teräviä osia. Ole varovainen pakkausta purkaessasi. Poista laite sekä mukana olevat tarvikkeet pakkauksesta. Tarkista huolellisesti, että laite on hyvässä kunnossa ja kaikki käyttöoppaassa luetellut tarvikkeet ovat mukana. Varmista myös, että kaikki tarvikkeet ovat täydellisiä. Jos jokin osa puuttuu, laite ja tarvikkeet tulee palauttaa alkuperäisessä pakkauksessa jälleenmyyjälle.

Älä heitä pakkausta pois, pidä se tallessa koko takuuajan ja kierrätä sen jälkeen, mikäli mahdollista, muutoin hävitä se asianmukaisella tavalla. Älä anna lasten leikkiä tyhjiällä muovipusseilla tukehtumisvaaran takia.

#### OSAT JA SÄÄTIMET (KUVA 1)

1.	Portaaton nopeudensäätö
2.	Lukituspainike
3.	Kahva
4.	Kuusioavain
5.	Sähköjohto
6.	Pölynpoistoliitäntä
7.	Kulma-asteikko
8.	Sahan pohjalevy
9.	Terän telan tuki
10.	Terä
11.	Suuntaisohjaimen lukitusnuppi
12.	Terän suojus
13.	Terän pikakiinnitysvipu
14.	Heiluriliikkeen säätönuppi
15.	Käynnistyskytkin

#### KOKOAMINEN

Huomautus: Ennen laitteen kokoamista tai purkamista on varmistettava, että laite ei ole liitetty sähköverkkoon.

#### PISTOSAHAN TERIEN ASENTAMINEN

Oikean terän valinta on tärkeää, jotta sahasta saadaan paras suoritusteho. Valitse terä käytön ja katkaistavan materiaalin mukaan. Oikea terä mahdollistaa sujuvan, nopean katkaisun ja pidentää terän käyttöikä.

Teränvaihtojärjestelmä ei vaadi työkaluja, joten terän asentaminen tai vaihtaminen on helppoa.

Huomautus: Ennen terän kiinnittämistä on varmistettava, että laite ei ole liitetty virtalähteeseen.

Nosta terän pikakiinnitysvipua, kunnes se pysähtyy, kuva 2.

Pidä terän kiinnitysvipua ylhäällä, työnnä sahanterä niin pitkälle terälaipan koloon kuin mahdollista, kuva 3.

Varmista, että sahanterän tausta on keskitettyntä telaohjaimen uraan.

Vapauta terän kiinnitysvipu. Varmista, että terä on kunnolla paikoillaan.

Huomautus: Tarkista terän kiinnitys silloin tällöin käytön aikana.

#### PISTOSAHAN KÄYNNISTYS JA SAMMUTUS

Käynnistä pistosaha painamalla käynnistyskytkintä, kuva 4.

Sammuta pistosaha vapauttamalla käynnistyskytkin.

## LUKITUSPAINIKE

Pistosaha on varustettu lukitustoiminnolla, joka on kätevä, jos työskennellään pitkiä aikoja yhtäjaksoisesti. Lukitse painike päälle painamalla käynnistyskytkin alas, painamalla ja pitämällä lukituspainiketta, kuva 5, ja vapauttamalla sitten käynnistyskytkin.

Vapauta lukituspainike ja pistosaha käy jatkuvasti.

Voit vapauttaa lukituksen painamalla käynnistyskytkintä ja vapauttamalla sen.

Jos lukitus on päällä käytön aikana ja lehtisaha irrotetaan sähkövirrasta, vapauta lukitus välittömästi.

Varoitus! Ennen pistosahan yhdistämistä virtalähteeseen, varmista, että se ei ole lukitussa asennossa (paina käynnistyskytkin alas ja vapauta se). Tämän ohjeen noudattamatta jättäminen saattaa aiheuttaa tahattoman käynnistymisen ja johtaa vakavaan henkilövahinkoon. Älä myöskään lukitse liipaisinta töissä, joissa pistosaha täytyy pysäyttää nopeasti.

## PORTAATON NOPEUDENSÄÄTÖ

Portaaton nopeudensäätötoiminto mahdollistaa pistosahan käyttämisen eri nopeuksilla kääntämällä valitsinta arvosta 1 (hidas) arvoon 6 (nopea). Valitsin sijaitsee kätevästi pistosahan päällä, joten käyttäjä voi ohjata terän nopeutta, kuva 6.

Nopeuden lisääminen: käännä portaatonta nopeudensäätöä isompaan numeroasetukseen.

Nopeuden vähentäminen: käännä portaatonta nopeudensäätöä pienempään numeroasetukseen.

Vältä pistosahan käyttämistä hitaalla nopeudella pitkiä aikoja. Hitaat nopeudet jatkuvassa käytössä saattavat aiheuttaa pistosahan ylikuumentumisen. Jos näin tapahtuu, jäähdytä saha käyttämällä sitä kuormittamattomana täydellä nopeudella.

Seuraavassa ohjeita oikean nopeuden määrittämisestä erilaisille käyttöille:

Hidas nopeus on paras, kun vaaditaan minimi nopeutta ja tehoa, kuten sahausta aloitettaessa.

Keskinopeus soveltuu kovien metallien, muovin ja laminaatin leikkaamiseen.

KORKEA nopeus tuottaa parhaan tuloksen, kun vaaditaan maksimaalista tehoa, kuten puuta sahatessa. Pehmeät metallit, kuten alumiini, messinki ja kupari, saattavat vaatia myös korkeita nopeuksia.

## HEILURILIIKE

Pistosahan terä leikkaa heiluriliikkeellä. Tämä toiminto on säädettävissä ja mahdollistaa nopean ja tehokkaan leikkaamisen.

Heiluriliikkeessä terä leikkaa työkappaleen läpi nousuiskulla, mutta ei mene työkalun läpi alaspäin iskulla. Jos haluat leikata pehmeää materiaalia nopeasti, valitse korkea asetus. Pienempiä asetuksia käytetään, kun leikataan enemmän vastusta antavia materiaaleja. ”0”-asetus lopettaa heiluriliikkeen. Asetus ”3” antaa maksimaalisen heiluriliikkeen, kuva 7.

## VINOLEIKKAUS (VIISTOAMINEN)

Voit asettaa leikkuukulman asetukseen 15°, 30° tai 45°.

Löysennä kaksi kuusiokoloruuvia (kuva 8) koneen pohjasta käyttäen mukana tullutta kuusioavainta.

Nosta jalustaa, kunnes se voidaan siirtää johonkin leikkuukulmista, jotka näkyvät kulma-asteikosta (kuva 9). Kiristä lopuksi kuusiokoloruuvit.

## METALLIN LEIKKAAMINEN

HUOMAUTUS: pistosahassa ei saa olla heiluritoimintoa päällä leikattaessa metalleja ja putkia. Aseta heiluriliikkeen säätönuppi asentoon ”0”, kuva 10.

Metalleja leikattaessa on käytettävä sopivaa lastuamis-/leikkausöljyä. Ruiskuta voiteluainetta terään tai työkappaleeseen säännöllisin väliajoin leikkaamisen aikana, jotta estät terän kulumista.

HUOMAUTUS: älä upota pistosahaa veteen tai päästä voiteluainetta kotelon sisään. Se voi aiheuttaa hengenvaarallisen sähköiskun.

Kun leikkaat johtoputkia tai kulmakiskoja, kiinnitä työkappale ruuvipenkkiin, mikäli mahdollista, ja sahaa läheltä penkkiä. Kun leikkaat ohutta materiaalia, laita materiaali kovalevyjen tai vanerilevyjen väliin ”sandwich” ja kiinnitä, jotta vähennät tärinää ja estät materiaalin repeytymisen. Näin tekemällä materiaalin leikkaaminen on sujuvampaa. Tee kuvio tai sahauslinja ”sandwichin” päälle.

Huomautus: Kun leikkaat metallia, pidä terän altistuva osa puhtaana metallilastuista pyyhkimällä sitä säännöllisesti öljyillä liinalla. Ole erittäin huolellinen öljyisten liinon hävittämisessä työn jälkeen, jotta vältät mahdolliset palovaarat.

## YMPYRÄN LEIKKAAMINEN

Kun aloitat leikkaamisen keskeltä työkappaleelta, poraa 12 mm reikä, jotta varmistat riittävän tilan terälle.

## VIHJE

Kun leikkaat materiaaleja, joissa on koristeita tai kiillotettu pinta, peitä joko pistosahan pohja tai materiaalin pinta suojapeitolla tai sopivalla teipillä naarmuuntumisen estämiseksi.

## KUNNOSSAPITO

Varoitus! Irrota työkalu virtalähteestä aina ennen puhdistamista tai huoltotoimenpiteiden suorittamista.

Tämä sähkötyökalu ei normaalisti vaadi mitään kunnossapitoa, ainoastaan moottorin kotelon tuuletusaukot tulee puhdistaa aika ajoin. Jos laite vioittuu, se tulee korjauttaa valtuutetussa sähkötyökalujen huoltoliikkeessä.

Työkalun voi tehokkaimmin puhdistaa kuivalla paineilmalla. Käytä aina suojalaseja puhdistaussasi työkalua paineilmalla.

Tuuletusaukot ja kytkinvivut on pidettävä puhtaina ja vapaina vieraista esineistä. Älä työnnä teräviä esineitä aukkojen läpi puhdistaussasi konetta.

Vältä liuotainaineiden käyttöä, kun puhdistat muoviosia. Useimmat muovit ovat herkkiä vaurioitumaan erilaisista kaupallisista liuottimista. Poista lika, pöly, öljy, rasva jne. puhtaalla liinalla.

**VAROITUS!** Älä anna jarrunesteiden, bensiinin, ruosteenirrotusöljyn tai muiden öljypohjaisten tuotteiden joutua kosketuksiin muoviosien kanssa. Kemikaalit voivat vaurioittaa, heikentää tai tuhota muovin, mikä voi johtaa vakavaan henkilövahinkoon.

Lasikuidun, kuitulevyn, kipsin ja pinnoitteiden käsittelyyn käytettävillä sähkökäyttöisillä työkaluilla on taipumus kulua nopeammin, ja niissä havaitaan enemmän ennenaikaisia toimintahäiriöitä. Lasikuidusta lähtevät hakkeet ja jätteet kuluttavat laakereita, harjoja, katkaisimia jne. Tästä syystä tätä työkalua ei suositella tämän tyyppisten materiaalien työstöön. Jos joudut työstämään jotain näistä materiaaleista, työkalu on ehdottomasti puhdistettava paineilmalla.

### VOITELU

Kaikissa tämän työkalun laakereissa on riittävä määrä korkealaatuista voiteluainetta, joka riittää koko työkalun kestoiän normaaleissa käyttöolosuhteissa. Tästä syystä työkalu ei tarvitse lisävoitelua.

### TEKNISET TIEDOT

Jännite	230 V – 50 Hz
Ottoteho	480W
Joutokäyntinopeus	800-3 000 min <sup>-1</sup>
Maks. sahausvyvyys puuhun	65 mm
Maks. sahausvyvyys teräkseen	6 mm
Leikkuukulmat	0°/15°/30°/45°
Äänenpainetaso	L <sub>pA</sub> 87 dB(A) K=3dB(A)
Äänitehotaso	L <sub>WA</sub> 98 dB(A) K=3dB(A)
Tärinätaso	a <sub>h,B</sub> =8,571 m/s <sup>2</sup> , K=1.5 m/s <sup>2</sup>  a <sub>h,M</sub> =6,834 m/s <sup>2</sup> , K=1,5 m/s <sup>2</sup>

## SYMBOLIT

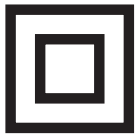
Työkalusi arvokilvessä voi olla symboleita. Ne näyttävät tärkeitä tietoja tuotteesta tai ohjeita sen käyttöön.



Käytä kuulosuojaimia.  
Käytä suojalaseja.  
Käytä hengityssuojainta



Vastaa voimassa olevia  
turvallisuusstandardeja.



Kaksoiseristys tuo lisäsuojaa.



Lue käyttöohjeet.



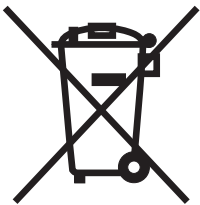
Vanhoja sähkölaitteita ei saa  
hävittää kotitalousjätteen mukana.  
Kierrätä ne, jos keräyspisteitä on  
olemassa. Kysy kierrätysohjeet  
paikallisilta viranomaisilta tai  
jälleenmyyjältä.



Tuote vastaa RoHS-direktiivin  
vaatimuksia

## YMPÄRISTÖNSUOJELU

Tietoja (yksityisten kotitalouksien) käytetyn sähkö- ja elektroniikkalaitteiston (Waste Electrical and Electronic Equipment, WEEE) ympäristöllisesti vastuullisesta hävittämisestä.



Tämä symboli tuotteissa ja tai sen mukana tulevissa asiakirjoissa osoittaa, että käytettyjä ja loppuun kuluneita sähkö- ja elektroniikkalaitteita ei saa hävittää kotitalousjätteen mukana. Asianmukaista hävitystä, käsittelyä, uudelleenkäyttöä ja kierrätystä varten vie nämä tuotteet nimettyihin keräyspisteisiin, joihin ne hyväksytään ilmaiseksi. Vaihtoehtoisesti joissain maissa voit palauttaa ne vähittäismyyjällesi ostaessasi uutta vastaavaa tuotetta. Kun hävität tämän tuotteen asianmukaisesti, autat säilyttämään arvokkaita luonnonvaroja ja estämään sellaisia mahdollisia haitallisia vaikutuksia ihmisterveydelle ja ympäristölle, joita voisi muutoin ilmetä virheellisestä jätteenhävittämisestä ja -käsittelystä. Ota yhteyttä paikalliseen viranomaiseen

saadaksesi lisätietoja lähimmästä nimetystä keräyspisteestä. Tämän jätteen virheellisestä hävittämisestä voidaan määrätä rangaistuksia kansallisen lainsäädännön mukaisesti.

## YRITYSKÄYTTÄJILLE EUROOPAN UNIONISSA.

Jos haluat heittää pois sähkö- tai elektroniikkalaitteistoa, ota yhteyttä jälleenmyyjääsi tai tavarantoimittajaasi saadaksesi lisätietoja.

## Tietoja hävittämisestä muissa maissa Euroopan unionin ulkopuolella.

Tämä symboli on voimassa on vain Euroopan unionissa.

Jos haluat hävittää tämän tuotteen, ota yhteyttä paikallisiin viranomaisiin tai jälleenmyyjääsi ja kysy neuvoa asianmukaisesta hävitysmenetelmästä.



## ELEKTRISKA DATA

### VIKTIGT

Denna produkt är utrustad med en helgjuten kontakt som är kompatibel med redskapet och nätspänningen i ditt hemland och uppfyller alla internationella normer.

Apparaten ska anslutas till en nätspänning som överensstämmer med den som anges på märkplåten. Om kontakten eller strömkabeln är skadade skall de bytas ut mot en enhet som är identisk med den originala.

Följ alltid föreskrifterna som gäller för elektriska nätanslutningar i ditt hemland.

Vid tveksamhet, vänd dig till en kvalificerad elektriker.

### INLEDNING

Tack för att du köper denna produkt som har genomgått vår omfattande kvalitetssäkringsprocess. Stor noggrannhet har lagts på att säkerställa att den levereras i felfritt skick.

### SÄKERHETEN FRAMFÖR ALLT

Innan du börjar använda denna elektriska maskin bör följande säkerhetsåtgärder genomföras för att minska risken för bränder, elchocker och personskada. Det är viktigt att du läser bruksanvisningen för att förstå hur maskinen fungerar, dess begränsningar och vilka faror som kan förekomma med den.

### GARANTICERTIFIKAT

Denna produkt har en garanti på 2 år med början på köpdagen och gäller enbart den första köparen. Garantin täcker endast fel som uppstår på grund av defekta material och/eller tillverkningsfel som uppdragas under garantiperioden, och täcker inte förbrukningsmaterial. Tillverkaren åtar sig att reparera eller ersätta produkten enligt eget gottfinnande på följande premisser: Att produkten använts i enlighet med rekommendationerna i bruksanvisningen samt att den inte har missbrukats, hanterats med ovetenskap eller använts för opassande ändamål, att den inte har plockats isär eller manipulerats på något sätt eller har reparerats av obehörig personal eller har hyrts ut. Transportskador täcks inte av garantin då dessa är transportföretagets ansvar. Garantifordringar måste göras omgående och till återförsäljaren under garantiperioden. Endast under mycket speciella omständigheter kan det bli aktuellt att returnera produkten till tillverkaren. I dessa fall ansvarar kunden för returkostnaden och att produkten förpackas med tillräckligt skydd mot transportskador. Returen måste innehålla en kort beskrivning av produktfelet samt en kopia på kvittot eller annat köpbevis. Tillverkaren ansvarar inte för några speciella, direkta, indirekta, oavsiktliga eller efterföljande förluster eller skador under denna garanti. Denna garanti är ett tillägg till, och påverkar inte på något sätt, konsumentens rättigheter i och med konsumentköplagen.

### LAGSTADGADE RÄTTIGHETER

Denna garanti är ett tillägg till, och påverkar på inget sätt, dina lagstadgade rättigheter.

### BORTSKAFFANDE AV PRODUKTEN

När produkten når slutet av sin livstid eller bortskaffas av någon annan anledning ska den inte slängas i hushållssoporna. För att bevara naturresurserna och minimera miljöpåverkan ber vi dig att göra dig av med produkten på ett miljövänligt sätt. Den ska återvinnas på en återvinningsstation eller annan behörig insamlings- och sophanteringscentral.

Om du är osäker på hur produkten ska sorteras kan du kontakta den lokala sophanteringsstationen gällande återvinning och bortskaffande.

### SÄRSKILDA SÄKERHETSFÖRESKRIFTER

**WARNING!** Vissa trä och träliknande produkter, i synnerhet fiberplattor med medium densitet (Medium Density Fibreboard), kan producera damm som kan vara farligt för din hälsa. Vi rekommenderar användning av en godkänd ansiktsmask med utbytbara filter vid användning av denna maskin utöver dammutsugningsanordning.

Starta inte maskinen när sågbladet har kontakt med arbetsytan.

Om sticksågen har en justerbar styrrulle eller pendelrörelse monterad, säkerställ att den är korrekt justerad.

Om sticksågen har en variabel hastighetsjustering monterad, välj korrekt hastighet för jobbet som ska utföras. Hastigheten kan ändras medan motorn är igång. Ändra inte hastigheten under sågning.

Kontrollera arbetsytan efter utstickande spikar, skruvhuvuden eller något annat föremål som kan skada sågbladet.

Se till att det inte finns några hinder under arbetsytan. Det är lätt hänt att såga i träbockar och bänkskivor.

Håll maskinen korrekt med en stabil kroppshållning. Se till att strömkabeln inte kan komma i kontakt med maskinen eller fastna i andra föremål som förhindrar att sågningen slutförs.

Använd ett korrekt sågblad för arbetet och byt ut sågbladet när det blivit slitet. Detta säkerställer enkel sågning och förlänger maskinens livslängd. Försök aldrig att anpassa och använda maskinen för ett syfte den inte är avsedd för.

Se alltid till att basplattan har ordentligt kontakt med arbetsytan före sågningen påbörjas.

Forcera inte sticksågen, låt den ta hand om arbetet. Om sticksågen forceras minskar det sågbladets livslängd som utsätts för trycket av maskinen.

Se till att sågen är fri från arbetsytan innan den startas.

Låt sticksågen stanna helt innan den tas bort från arbetsytan.

Försök inte att såga en kurva som är för snäv, det sätter sågbladet under onödigt tryck och kan gå av.

Håll sticksågen rena och fri från olja och fett.

Använd inte frätande rengöringsmedel för att rengöra plasthöljet.

Håll alltid motorhöljets ventilationshål fri från smuts, damm och andra hinder.

Använd alltid en dammsugare för att rengöra dammsugningsenheten efter varje användning.

Använd alltid skyddsglasögon.

Vatten får aldrig komma i kontakt med maskinen eller kablarna.

Använd aldrig sticksågen i våta arbetsförhållanden, t.ex. sänka ner sågbladet i vatten. Det kommer att resultera i en dödlig elektrisk stöt.

Vid användning av en förlängningskabel som är fullt utdragen (minsta tråddiameter för förlängningskabeln måste vara 1 mm<sup>2</sup>). Kontakta en kvalificerad elektriker om du är osäker.

Kläm fast arbetet på en lämplig arbetsbänk som låter dig använda båda händerna för att använda verktyget.

Såga inte någon arbetsyta som överstiger sågens kapacitet.

Håll fast verktyget ordentligt.

Vidrör aldrig det rörliga bladet med handen.

Kontrollera strömkablarnas placering innan du sågar i träväggar eller träpaneler.

Vidrör inte sågbladet efter användning eftersom det är mycket varmt.

Håll sticksågens strömkabel borta från sågbladet. Kläm om möjligt fast innan sågningen påbörjas.

Håll händerna borta från arbetsytan.

## **ALLMÄNNA SÄKERHETSREGLER**

**WARNING!** Läs alla instruktioner.

Om instruktionerna nedan inte följs kan det resultera i elchocker, bränder och/eller allvarliga skador. Termen "elverktyg" i varningslistan nedan syftar på ett eldrivet (med sladd) elverktyg eller ett batteridrivet (utan sladd) elverktyg.

## **SPARA SÄKERHETSINSTRUKTIONERNA**

### **1) ARBETSUTRYMMET**

- Håll arbetsutrymmet rent och väl upplyst. Röriga och mörka utrymmen kan orsaka olyckor.
- Använd inte elverktyg i explosiva miljöer som i närheten av lättantändliga vätskor, gaser eller damm. Elverktygen skapar gnistor som kan antända damm eller ångor.
- Håll barn och åskådare på avstånd medan elverktyget är i drift. Om du distraheras kan du tappa kontrollen.

### **2) ELSÄKERHET**

- Kontakten på elverktyget måste passa uttaget. Ändra aldrig på kontakten. Använd aldrig adapterkontakter med jordade elverktyg. Omodifierade kontakter och matchande uttag minskar risken för elchocker.
- Undvik kroppskontakt med jordade ytor som rör, element, spisar och kylskåp. Risken för elchocker ökar om kroppen är jordad.
- Utsätt inte elverktyg för regn eller väta. Vatten inuti elverktyget ökar risken för elchocker.
- Skada inte sladden. Använd aldrig sladden för att lyfta, dra eller koppla ur elverktyget. Håll sladden borta från värme, olja, vassa kanter och rörliga delar. Skadad eller trasslig sladd ökar risken för elchocker.
- Vid utomhusbruk ska du använda en förlängningssladd som är avsedd för bruk utomhus. Användning av sådan sladd minskar risken för elchocker.

### **3) PERSONSÄKERHET**

- Var uppmärksam och titta på det du gör, och använd elverktyget förnuftigt. Undvik att använda elverktyget om du är trött eller påverkad av droger, alkohol eller medicin. Ett ögonblicks avbruten uppmärksamhet kan leda till allvarliga personskador.
- Använd säkerhetsutrustning. Bär alltid skyddsglasögon. Skyddsutrustning som munskydd, halkfria skor, hjälm och hörselskydd som anpassats efter omständigheterna minskar risken för personskador.
- Undvik att elverktyget startas oavsiktligt. Se till att strömbrytaren är inställd på "off" innan du sätter i kontakten. Att bära elverktyget med fingret på strömbrytaren eller stoppa i kontakten medan strömbrytaren är på ökar också skaderisken.
- Avlägsna skiftnycklar och inställningsverktyg innan du sätter på elverktyget. En skiftnyckel eller annat verktyg i kontakt med en roterande del av elverktyget kan resultera i personskada.
- Sträck dig inte efter något. Stå alltid stadigt och balanserat. Detta underlättar kontrollen av elverktyget i oförutsedda situationer.
- Bär ändamålsenliga kläder. Undvik att bära löst sittande kläder och smycken. Håll hår, kläder och handskar borta från rörliga delar. Löst sittande kläder, smycken och långt hår kan fastna i rörliga delar.
- Om det finns uttag för dammsugare och uppsugningsanordningar ska du se till att dessa är anslutna och fungerar korrekt. Att använda sådana anordningar kan minska risken för dammrelaterad fara.

#### 4) ANVÄNDNING OCH SKÖTSEL AV ELVERKTYG

- a) Använd inte elverket med våld. Använd rätt elverktyg för det du ska utföra. Val av rätt elverktyg innebär att jobbet genomförs smidigare och säkrare.
- b) Använd inte elverket om strömbrytaren inte kan slå av eller sätta på det. Om ett elverktyg inte kan kontrolleras med strömbrytaren är det att betrakta som farligt och verktyget måste repareras.
- c) Dra ut kontakten från uttaget innan du justerar elverket, byter anordningar eller placerar elverket på förvaringsstället. Sådana förebyggande säkerhetsåtgärder minskar risken att elverket startar oavsiktligt.
- d) Förvara elverktyg utom räckhåll för barn och låt inte personer som inte är vana vid elverket eller som inte läst instruktionerna använda elverket. Elverktyg är farliga i händerna på ovana användare.
- e) Skötsel av elverktyg. Leta efter förskjutningar, kontakt mellan olika rörliga delar, trasiga delar och andra skador som kan påverka elverktygets prestation. Vid skador ska du se till att elverket repareras. Många skador beror på dåligt skötta elverktyg.
- f) Se till att skärverktygen är vassa och rena. Korrekt skötta skärverktyg med vassa blad är mindre benägna att fastna och lättare att kontrollera.
- g) Använd elverket, tillbehör och verktygsdelar i enlighet med dessa instruktioner och på sådant vis som avsetts för det aktuella verktyget, och beakta omständigheterna i arbetsmiljön och för det jobb som ska genomföras. Att använda elverket för andra ändamål än det verktyget är avsett för kan resultera i farliga situationer.

#### 5) SERVICE

- a) Se till att elverket servas av en kvalificerad reparatör som använder identiska reservdelar. Detta garanterar att säkerheten hos elverket bibehålls.

#### UPPACKNING

**Varning!** Denna förpackning innehåller vassa föremål. Var försiktig vid uppackning. Ta ut maskinen, tillsammans med medföljande tillbehör, från förpackningen. Kontrollera noggrant att maskinen är i ett gott skick och att alla tillbehör som anges i denna bruksanvisning medföljer. Se även till att alla tillbehör är fullständiga. Om någon del saknas, returnera maskinen och dess tillbehör i sin originalförpackning till återförsäljaren.

Kasta inte förpackningen, förvara den på en säker plats under garantiperioden och återvinn den sedan. Låt inte barn leka med tomma plastpåsar på grund av risken för kvävning.

#### KOMPONENTER OCH KONTROLLER (BILD 1)

1.	Variabelt hastighetsreglage
2.	Låsa fast-knapp
3.	Handtag
4.	Insexnyckel
5.	Strömkabel
6.	Dammutblås
7.	Vinkelskala
8.	Sågens basplatta
9.	Rullstöd för sågbladet
10.	Sågblad
11.	Låsknapp för parallell guide
12.	Skydd för sågbladet
13.	Klämspak för snabbt utbyte av sågblad
14.	Justeringsreglage för pendelrörelse
15.	På/av-kontroll

#### MONTERING

Obs! Innan du utför någon montering eller demontering av enheten, säkerställ att enheten inte är ansluten till eluttaget.

#### MONTERA SÅGBLAD PÅ STICKSÅGEN

Att välja korrekt sågbladstyp är viktigt för bästa sågprestanda. Välj sågblad efter tillämpning och material som ska sågas. Ett korrekt sågblad ger dig en smidigare och snabbare sågning och förlänger sågbladets livslängd.

Sågbladets system för utbyte kräver inga verktyg vid montering eller utbyte av ett sågblad.

Obs! Innan du monterar ett sågblad, se till att enheten inte är ansluten till eluttaget.

Lyft upp klämspaken för snabbt utbyte av sågbladet tills den stoppas (bild 2).

Håll klämspaken för sågbladet uppåt, för in sågbladet så långt som möjligt i spåret i sågklingen (bild 3).

Kontrollera att baksidan på sågbladet är centrerat i skåran för styrrullen.

Släpp upp klämspaken för sågbladet. Säkerställ att sågbladet är säkert på plats.

Obs! Kontrollera regelbundet sågbladets säkerhet vid användning.

#### SLÅ PÅ OCH STÄNGA AV STICKSÅGEN

För att slå PÅ sticksågen, tryck in strömbrytaren (bild 4).

Släpp upp strömbrytaren för att stänga AV sticksågen.

## LÅSA FAST-KNAPP

Sticksågen har en låsa fast-funktion, som är lämplig när kontinuerlig sågning under en längre tid krävs. För att låsa fast läget, tryck ner strömbrytaren, tryck in och håll ner låsa fast-knappen (bild 5) och släpp sedan upp strömbrytaren.

Släpp upp låsa fast-knappen och sticksågen fortsätter köras.

För att frigöra låset, tryck in strömbrytaren och släpp upp den.

Om låsa fast-funktionen är aktiverad under användning och sticksågens strömförsörjning kopplas ur, koppla omedelbart ur låsa fast-funktionen.

Varning! Innan sticksågen ansluts till eluttaget, kontrollera alltid att den inte är i låsa fast-läget (tryck ner och släpp upp strömbrytaren). Underlåtenhet att följa detta kan resultera i oavsiktlig start och allvarliga personskador. Lås inte heller fast avtryckaren på jobb där sticksågen kanske måste stoppas snabbt.

## VARIABEL HASTIGHETSKONTROLL

Den variabla hastighetsfunktionen låter sticksågen köras i hastigheter som kan ökas genom att vrida reglaget från 1 (långsam) till 6 (snabb). Reglaget är praktiskt placerat ovanpå sticksågen, vilket ger användaren kontroll över sågbladets hastighet (bild 6).

För att öka hastigheten: Vrid reglaget för variabel hastighet till ett högre nummer.

För att minska hastigheten: Vrid reglaget för variabel hastighet till ett lägre nummer.

Undvik att köra sticksågen i låga hastigheter under en längre tidsperiod. Sticksågen kan överhettas om den används länge i låga hastigheter. Om detta inträffar, låt sågen svalna genom att köra den utan belastning på högsta hastighet.

Följande riktlinjer kan användas för att fastställa korrekt hastighet för olika tillämpningar:

Låg hastighet är idealisk när lägsta hastighet och effekt krävs, till exempel när sågningen påbörjas.

Medium hastighet är lämplig för att såga i hårda metaller, plast och laminat.

HÖG hastighet ger bästa resultat när högsta effekt krävs, till exempel vid sågning av trä. Mjuka metaller som t.ex. aluminium, mässing, och koppar kan också kräva höga hastigheter.

## PENDELRORELSE

Sticksågens sågblad sågar i en pendelrörelse. Denna funktion är justerbar och ger snabbare och effektivare sågning.

Med pendelrörelsen sågar sågbladet genom arbetet i uppåtslaget men drar inte ner det i neråtslaget. De högre inställningarna bör användas när snabb sågning i mjukt material önskas. De lägre inställningarna bör användas vid sågning av material med högre motstånd. Inställningen "0" stänger av

pendelrörelsen. Inställningen "3" möjliggör högsta pendelrörelse (bild 7).

## VINKELSÅGNING (VINKELSKÄR)

För att ställa in sågvinkeln till en av de förinställda vinklarna 15°, 30° eller 45°.

Lossa på de två insexskruvarna (bild 8) på undersidan av maskinen med medföljande insexnyckel.

Höj basen något tills den kan flyttas till en av de förinställda sågvinklarna som visas på vinkelskalan (bild 9). Dra slutligen åt insexskruvarna.

## METALLSÅGNING

OBS! Sticksågen måste vara i "ingen svängning"-läget för att såga i metall och ledningar. Ställ in justeringsreglaget för pendelrörelse till "0" (bild 10).

Vid sågning i metaller måste ett lämplig kylmedel/skärolja användas. Spruta smörjmedlet på sågbladet eller arbetsytan med regelbundna intervaller vid sågningen för att minska slitaget på sågbladet.

OBS! Sänk inte ner sticksågen i vatten och låt inte kylmedel tränga in i höljet. En dödlig elektrisk stöt kan uppstå.

Vid sågning av ledningar, rör eller vinkeljärn, kläm fast arbetsytan i ett skruvstöd om möjligt och såga nära skruvstödet. För att såga tunna skivmaterial, kläm fast materialet mellan hårdpapp eller plywood och kläm sedan fast lagrena för att eliminera vibrationer och materialslitage. På detta sätt sågas materialet smidigt. Lägg ut ditt mönster eller skärlinje ovanpå den fastklämda arbetsytan.

Obs! Vid sågning av metall, håll sågklingans exponerade del ren och fri från metallspån genom att torka den regelbundet med en oljig trasa. Använd extrem försiktighet när den oljiga trasan kastas efter ett jobb för att förhindra brandrisk.

## CIRKELSÅGNING

När en sågning startas i mitten av arbetsytan, borra ett 12 mm brett diameterhål för att säkerställa att sågbladet ryms.

## TIPS

Vid sågning av material med en dekorativ eller polerad yta, täck över sticksågens bas eller ytan på materialet som ska sågas med maskeringstejp eller annan lämplig tejp för att undvika repor.

## UNDERHÅLL

Varning! För att undvika olyckor, koppla alltid ur verktyget från strömförsörjningen före rengöring och underhåll.

Detta verktyg kräver normalt inget underhåll. Ventilationshålen på motorhusen bör däremot rengöras då och då. Om enheten skulle bli defekt måste reparation utföras av auktoriserad servicepersonal för elektriska verktyg.

Verktyget rengörs bäst med tryckluft. Använd alltid skyddsglasögon vid rengöring av verktyg med tryckluft.

Ventilationsöppningar och spakar måste hållas rena och fria från främmande material. Försök inte att utföra rengöring genom att sticka in spetsiga föremål i öppningarna.

Undvik att använda lösningsmedel vid rengöring av plastdelarna. De flesta plaster är känsliga för skador från olika typer av kommersiella lösningsmedel och kan skadas av dess användning. Använd rena trasor för att ta bort smuts, damm, olja, fett osv.

**WARNING!** Låt aldrig bromsvätskor, bensin, petroleumbaserade produkter, smörjfett osv. komma i kontakt med plastdelarna. Kemikalier kan skada, försvaga eller förstöra plasten, vilket kan resultera i allvarliga personskador.

Elektriska verktyg som används på glasfibermaterial, väggskivor, spackling eller gips utsätts för accelererad förslitning och felfunktioner kan uppstå tidigare än förväntat eftersom glasfiber och slipning nöter hårt på lager, borstar, kommutatorer osv. Därför rekommenderar vi inte att använda detta verktyg för omfattande arbete på dessa typer av material. Om du ändå arbetar med något av dessa material är det extremt viktigt att du rengör verktyget med tryckluft.

### SMÖRJNING

Samtliga lager i detta verktyg smörjs med en tillräcklig mängd av höggradigt smörjmedel under enhetens livslängd vid normala driftförhållanden. Det krävs därför ingen ytterligare smörjning.

### TEKNISKA SPECIFIKATIONER

Spänning	230V - 50 Hz
Motor	480 W
Varvtal utan belastning	800-3 000 min <sup>-1</sup>
Max. sågning i trä	65 mm
Max. sågning i stål	6 mm
Sågvinklar	0°/15°/30°/45°
Ljudtrycksnivå	L <sub>pA</sub> 87 dB(A) K=3dB(A)
Ljudeffektnivå	L <sub>WA</sub> 98 dB(A) K=3dB(A)
Vibrationsnivå	a <sub>h,B</sub> =8,571 m/s <sup>2</sup> , K=1.5 m/s <sup>2</sup>  a <sub>h,M</sub> =6,834 m/s <sup>2</sup> , K=1,5 m/s <sup>2</sup>

## SYMBOLER

Märkplåten på ditt verktyg kan visa följande symboler. De representerar viktig produktinformation eller användarinstruktioner.



Använd hörselskydd.  
Använd ögonskydd.  
Använd andningsskydd.



Uppfyller relevanta  
säkerhetsstandarder.



Dubbelisolerad för extra skydd.



Läs bruksanvisningen.



Förbrukade elektriska produkter  
får inte kasseras tillsammans med  
hushållsavfall. Återvinn på en  
återvinningsstation. Kontrollera  
med din kommun eller  
återförsäljare för information om  
återvinning.



Produkten uppfyller RoHS-kraven

## MILJÖSKYDD

Information (för privathushåll) om miljösäkert bortskaffande av avfall som utgörs av eller innehåller elektriska eller elektroniska produkter (WEEE).



Denna symbol på produkter eller medföljande dokument innebär att använd och konsumerad elektrisk och elektronisk utrustning inte får slängas bland de vanliga hushållssoporna. För korrekt bortskaffande, behandling, återställning och återvinning ska du lämna dessa produkter på särskilt avsedda uppsamlingsplatser där de tas omhand utan kostnad. I vissa länder kan ett alternativ vara att skicka tillbaka produkten till återförsäljaren mot köp av en liknande ny produkt. Korrekt bortskaffande av produkten innebär att viktiga resurser sparas och motverkar farliga konsekvenser för människor och miljön som annars kunnat uppstå på grund av felaktigt bortskaffande och hantering. Kontakta de lokala myndigheterna för mer information om

närmaste uppsamlingsplats. Det kan vara straffbart att bortskaffa produkten på annat sätt än utfäst enligt nationell lag.

## FÖR FÖRETAGSANVÄNDARE INOM EU.

Om du vill bli av med elektrisk och elektronisk utrustning ska du kontakta din återförsäljare eller leverantör för ytterligare information.

## Information om bortskaffande i andra länder utanför EU.

Denna symbol gäller endast inom EU.

Om du önskar att bli av med denna produkt ska du kontakta de lokala myndigheterna och fråga efter korrekt bortskaffning.

## ELEKTRISKE DATA

### VIKTIG

Dette produktet er utstyrt med et tett elektrisk støpsel som er kompatibelt med verktøyet og strømmen i landet ditt og det tilfredsstillende kravene i de internasjonale standardene.

Dette apparatet må koples til en spenning lik den som er oppført på skiltet. Dersom støpselet eller strømledningen er skadet må de skiftes ut med en komplett enhet lik den originale.

Du må alltid følge lovene i landet ditt angående tilkoping til strømmettet.

I tvilstilfeller, ta alltid kontakt med en kvalifisert elektriker.

### INNLEDNING

Takk for at du kjøpte dette produktet som har gjennomgått vår omfattende kvalitetssikringsprosess. Alt er gjort for å sikre at produktet er i perfekt stand.

### SIKKERHETEN FØRST

Før bruk av dette elektroverktøyet bør følgende sikkerhetsmessige forholdsregler tas for å begrense risiko for brann, elektrisk støt og skade på person. Det er viktig å lese brukermanualen for å forstå apparatet, begrensninger og potensielle farer knyttet til dette verktøyet.

### GARANTISERTIFIKAT

Dette produktet har en garanti på 2 år, som trer i kraft fra kjøpsdato og gjelder kun opprinnelig kjøper. Denne garantien gjelder bare skader som følge av defekte materialer og/eller utførelsesfeil som kommer for en dag kun i garantiperioden og inkluderer ikke rekvisita. Fabrikanten vil reparere eller bytte produktet etter sitt skjønn, underlagt følgende. At produktet har blitt brukt i henhold til veiledningen beskrevet i produktmanualen og at det ikke har blitt utsatt for misbruk, mishandling eller blitt brukt til noe det ikke er ment for.

At det ikke har blitt demontert eller klusset med på noen som helst måte eller har blitt reparert av uautorisert personell eller har blitt brukt til profesjonelle formål. Transportskader kommer ikke inn under denne garantien, da transportfirmaet er ansvarlig for slik skade. Krav rettet under denne garantien må i første omgang rettes direkte til forhandleren innenfor garantiperioden. Bare under eksepsjonelle forhold bør produktet returneres fabrikant. I slike tilfeller er det forbrukers ansvar å returnere produktet for egen kostnad og forsikre seg om at produktet er forsvarlig pakket for å unngå transportskade, og kort feilbeskrivelse samt kopi av kjøpskvittering eller annet kjøpsbevis må vedlegges. Fabrikanten kan ikke holdes ansvarlig for noen spesiell, eksemplarisk, direkte, indirekte tilfeldig, eller følgetap eller skade under denne garantien. Denne garantien er et tillegg og påvirker ikke noen rettigheter der forbrukeren kan ha hjemmel i kjøpsloven av 1973, med endringer 1975 og 1999.

### LOVPÅLAGTE RETTIGHETER

Denne garantien er et tillegg og påvirker på ingen måte dine lovpålagte rettigheter.

### DEPONERING AV PRODUKTET

Når dette produktet er utbrukt eller av en eller annen grunn kastes, må det ikke kastes i husholdningsavfallet. For å bevare naturressurser og minske negative miljøkonsekvenser, vær vennlig å

resirkulere eller avhende produktet på en miljøvennlig måte. Det bør bringes til en lokal avfallsstasjon eller en annen autorisert innsamlingsinstans for håndtering av avfall.

Hvis du er i tvil, rådfør deg med ditt lokale renovasjonsfirma for informasjon vedrørende tilgjengelig resirkulering og/eller muligheter for avhending.

### SPESIFIKKE SIKKERHETSINSTRUKSJONER

ADVARSEL: Enkelte treprodukter, særlig MDF-plater, kan avgi støv som kan være helseskadelig. Vi anbefaler at du bruker en godkjent ansiktsmaske med utskiftbare filtre når du bruker denne maskinen, i tillegg til støvavtrekkutstyr.

Ikke start opp maskinen mens bladet er i kontakt med arbeidsstykket.

Hvis stikksagen benyttes med justerbar bladstyring eller pendelsagfunksjon, må du forsikre deg om at justeringen er korrekt.

Hvis stikksagen har varierbar hastighetsinnstilling, må du velge korrekt hastighet for den aktuelle jobben. Det er mulig å endre hastigheten mens motoren går. Ikke endre hastigheten mens du sager.

Kontroller arbeidsstykket for eventuelle utstikkende spikre, skruehoder eller annet som kan skade bladet.

Forsikre deg om at det ikke finnes noe under arbeidsstykket som kan komme i veien. Det er fort gjort å komme borti sagkrakken eller benkeplaten med sagbladet.

Hold maskinen på korrekt måte, og innta en stødig stilling. Forsikre deg om at strømledningen ikke kan komme i kontakt med maskinen eller hekte seg fast i andre gjenstander og på den måten hindre deg i arbeidet.

Bruk korrekt blad til den aktuelle jobben, og skift ut bladet så snart det blir slitt. Dette vil gjøre sagingen enklere og forlenge maskinens levetid. Forsøk aldri å tilpasse og bruke maskinen til et annet formål enn det tiltenkte.

Forsikre deg alltid om at underplaten er i tett kontakt med arbeidsstykket før du begynner sagingen.

Ikke bruk kraft, men la stikksagen gjøre jobben. Hvis du øver press på stikksagen, oppnår du bare å redusere bladets levetid og overbelaste maskinen.

Forsikre deg om at bladet ikke er i kontakt med arbeidsstykket før du starter sagen.

La stikksagen stanse helt før du fjerner den fra arbeidsstykket.

Ikke forsøk å sage i for skarpe kurver. Dette vil legge for stor belastning på bladet slik at det risikerer å knekke.

Hold alltid stikksagen ren og fri for olje og smøremiddel.

Ikke bruk kaustiske rengjøringsmidler til å rengjøre plastdekselet.

Motorventilasjonsnullene i dekselet må alltid holdes frie for smuss, støv og andre tilstoppinger.

Bruk alltid støvsuger til å rengjøre støvavtrekksenheten etter hver bruk.

Bruk øyevern til enhver tid.

La aldri vann komme i kontakt med maskinen eller ledningene.

Ikke bruk stikksagen til våtsaging, dvs. ved å senke bladet ned i vann. Dette vil forårsake et dødelig elektrisk støt.

Ved bruk av skjøteledning må ledningen rulles helt ut av trommelen (skjøteledningen må ha en tråddiameter på minst 1 mm<sup>2</sup>). Rådfør deg med en kvalifisert elektriker hvis du er i tvil.

Klem fast arbeidsstykket i en egnet arbeidsbenk, slik at du kan betjene det elektriske verktøyet med begge hender.

Ikke sag i arbeidsstykker av en størrelse som overskrider sagens kapasitet.

Hold verktøyet i et stødig grep.

Rør aldri bladet med hendene mens det er i bevegelse.

Finn ut hvor eventuelle ledninger befinner seg før du sager inn i trevegger eller veggpaneler.

Ikke rør sagbladet etter bruk, da det vil være svært varmt.

Hold stikksagledningen på avstand fra bladet. Klem den fast om nødvendig før du begynner sagingen.

Ikke stikk hendene ned under arbeidsstykket.

### **GENERELLE SIKKERHETSREGLER**

**ADVARSEL!** Les alle instruksjonene.

Mangel på å følge alle instruksjonene listet opp nedenfor kan resultere i elektrisk støt, brann og/eller alvorlig skade. Uttrykket "elektroverktøy" i alle advarslene listet opp nedenfor, refererer til ditt strømdrevne (med kabel) elektroverktøy eller batteridrevne (kabelfrie) elektroverktøy.

## **TA VARE PÅ DISSE INSTRUKSENE**

### **1) ARBEIDSOMRÅDE**

- a) Hold arbeidsområdet rent og godt belyst. Rotete og mørke steder kan føre til ulykker.
- b) Ikke bruk elektroverktøy i eksplosive miljø, som i nærheten av brennbare væsker, gasser eller støv. Elektroverktøy lager gnister som kan antenne støv eller røyk.
- c) Hold barn og tilskuere på avstand ved bruk av elektroverktøyet. Distraksjoner kan føre til at du mister kontroll.

### **2) ELEKTRISK SIKKERHET**

- a) Elektroverktøyets støpsel må passe til strømuttaket. Modifiser aldri støpselet på noen som helst måte. Ikke bruk adapter med jordede elektroverktøy. Umodifiserte støpsler og samstemmende uttak reduserer risikoen for elektrisk støt.
- b) Unngå kroppskontakt med jordede elementer som rør, radiatorer, komfyrer og kjøleskap. Det er større fare for elektrisk støt hvis kroppen din er jordet.
- c) Ikke utsett elektroverktøy for regn eller fuktige forhold. Vann i elektroverktøyet vil øke faren for elektrisk støt.
- d) Ikke misbruk ledningen. Bruk aldri ledningen til å bære, dra eller koble fra elektroverktøyet. Hold ledningen unna varme, olje, skarpe kanter eller bevegelige deler.
- e) Ved bruk av elektroverktøy utendørs, bruk en skjøteledning beregnet for utendørs bruk. Bruk av ledning beregnet bruk ute reduserer risikoen for elektrisk støt.

### **3) PERSONLIG SIKKERHET**

- a) Vær årvåken, se hva du gjør og bruk sunn fornuft ved bruk av et elektroverktøy. Ikke bruk et elektroverktøy når du er trøtt eller under påvirkning av narkotika, alkohol eller medikamenter. Et øyeblikks uoppmerksomhet ved bruk av elektroverktøy kan resultere i alvorlig personskade.
- b) Bruk sikkerhetsutstyr. Bruk alltid vern for øynene. Sikkerhetsutstyr som støvmaske, sklisikre vernesko, hjelm eller hørselsvern for passende forhold, vil redusere personskade.
- c) Unngå utilsiktet start. Forsikre deg om at bryteren er i off-posisjon før tikobling. Å bære elektroverktøy med fingeren på bryteren eller å koble til elektroverktøy med bryteren på, forårsaker ulykker.
- d) Fjern eventuell justeringsnøkkel eller fastnøkkel før elektroverktøyet slås på. En fastnøkkel eller nøkkel som er igjen på en roterende del av elektroverktøyet kan resultere i personskade.



- e) Ikke overvurder. Behold en stødig stilling og balanse til enhver tid. Dette gir bedre kontroll over elektroverktøyet i uventede situasjoner.
- f) Kle deg riktig. Ha ikke på løs bekledning eller smykker. Hold hår, klær og hansker borte fra bevegelige deler.
- g) Hvis enheter er utstyrt med tilkobling for støvavsug og oppsamling, forsikre deg om at disse er koblet til og riktig brukt. Bruken av disse enhetene kan redusere støvrelaterte skader.

#### 4) BRUK OG PLEIE AV ELEKTROVERKTØY

- a) Ikke tving elektroverktøyet. Bruk det korrekte elektroverktøyet for arbeidet. Det korrekte elektroverktøyet vil gjøre en bedre og sikrere jobb for det som det var laget for.
- b) Ikke bruk elektroverktøyet dersom det ikke slås på eller av med bryteren. Et elektroverktøy som ikke kan styres med bryteren er farlig og må repareres.
- c) Koble fra støpselet fra strømkilden før det gjøres justeringer, skifter deler eller før oppbevaring. Slike preventive sikkerhetstiltak minsker risikoen for utilsiktet start av elektroverktøyet.
- d) Oppbevar inaktive elektroverktøy utenfor barns rekkevidde og ikke tillat personer som ikke har kjennskap til elektroverktøyet eller disse instruksene å bruke elektroverktøyet. Elektroverktøy er farlig i hendene på utrente brukere.
- e) Vedlikehold elektroverktøy. Sjekk for misforhold i bevegelige deler, brudd i deler og andre ting som kan påvirke elektroverktøyet funksjon. Få elektroverktøyet reparert hvis det er ødelagt. Mange ulykker er forårsaket av dårlig vedlikeholdte elektroverktøy.
- f) Hold skjæreverktøy skarpe og rene. Ordentlig vedlikeholdt skjæreverktøy med skarpe kniver har mindre sjanse for å henge seg opp og er lettere å kontrollere.
- g) Bruk elektroverktøyet, tilbehør og bits etc., i henhold til disse instruksene og på en måte som er ment for det bestemte elektroverktøyet, med tanke på arbeidsforhold og arbeidet som skal utføres. Bruk av elektroverktøyet for annet bruk enn det det er ment for kan resultere i en farlig situasjon.

#### 5) SERVICE

- a) La kvalifisert personell utføre service på ditt elektroverktøy, bruk bare identiske utskiftbare deler. Dette vil sikre at elektroverktøyet sikkerhet blir ivaretatt.

#### UTPAKKING

**NB!** Emballasjen inneholder spisse gjenstander. Vær forsiktig når du pakker ut innholdet. Ta apparatet og det medfølgende tilbehøret ut av emballasjen. Kontroller at apparatet er i god stand og at se etter tilbehøret som er nevnt i denne håndboken. Sjekk at alt av tilbehør er komplett. Hvis én eller flere deler mangler, må både apparatet og alt tilbehøret returneres til forhandleren i originalemballasjen.

Kast ikke emballasjen, men ta vare på den gjennom hele garantiperioden. Etter garantiperiodens utløp bør du om mulig resirkulere emballasjen eller kaste den på en annen forsvarlig måte. Barn må ikke få leke med tomme plastposer da dette kan medføre kvelningsfare.

#### KOMPONENTER OG KONTROLLER (FIG. 1)

1.	Skive for hastighetsregulering
2.	Knapp for kontinuerlig drift
3.	Håndtak
4.	Unbrakonøkkel
5.	Strømledning
6.	Utløp for støvavtrekk
7.	Vinkelskala
8.	Underplate
9.	Støtte for bladstyring
10.	Blad
11.	Låseknott for parallellanlegg
12.	Verneskjerm
13.	Klemarm for hurtig bladutskifting
14.	Justeringsknott for pendelfunksjon
15.	På/av-bryter

#### MONTERING

Merk: Før du begynner å montere eller demontere enheten, må du forsikre deg om at den ikke er koblet til strømuttaket.

#### MONTERING AV STIKKSAGBLADER

For å oppnå de beste resultatene med sagen din er det viktig at du velger rett bladtype. Valget av bladtype vil avhenge av bruksområdet og av hvilket materiale du skal sage i. Bruk av et korrekt blad sikrer jevnere, raskere saging og forlenger bladets levetid.

Det verktøyfrie bladutskiftingssystemet gjør at du kan montere eller skifte ut blader uten bruk av verktøy.

Merk: Før du monterer et blad, må du forsikre deg om at enheten ikke er koblet til strømuttaket.

Løft klemarmen for bladutskifting helt opp (fig. 2).

Hold klemarmen oppe og stikk sagbladet så langt inn i sagholderåpningen som mulig (fig. 3).

Sjekk at baksiden på sagbladet er sentrert i bladstyringssporet.

Slipp klemarmen. Forsikre deg om at bladet sitter godt fast.

Merk: Under bruk bør du med jevne mellomrom sjekke at bladet sitter som det skal.

### **SLÅ STIKKSAGEN PÅ OG AV**

Trykk inn På-/av-bryteren (fig. 4) for å slå stikksagen PÅ.

Slipp På-/av-bryteren for å slå stikksagen AV.

### **KNAPP FOR KONTINUERLIG DRIFT**

Stikksagen er utstyrt med en funksjon for kontinuerlig drift som er praktisk når du skal sage kontinuerlig over lengre perioder. For å låse maskinen på, trykk inn På/av-bryteren, trykk og hold inne knappen for kontinuerlig drift (fig. 5) og slipp På/av-bryteren.

Slipp knappen for kontinuerlig drift, og stikksagen vil holde seg i gang.

For å deaktivere låsen, trykk inn og slipp På/av-bryteren.

Hvis du har låsefunksjonen aktivert under bruk og sagen blir koblet fra strømuttaket, må du deaktivere låsefunksjonen umiddelbart.

Advarsel! Før du kobler stikksagen til strømuttaket, må du alltid forsikre deg om at den ikke er låst i på-posisjonen (trykk inn og slipp På/av-bryteren). Hvis du ikke gjør dette, kan maskinen starte opp utilsiktet, med potensielle alvorlige personskader som resultat. Ikke lås bryteren i på-posisjonen når du utfører arbeid der du kan bli nødt til å stanse stikksagen brått.

### **VARIERBAR HASTIGHETSINNSTILLING**

Funksjonen for variabel hastighet gjør at du kan øke stikksagens hastighet ved å dreie skiven fra 1 (sakte) til 6 (hurtig). Skiven er plassert på stikksagens overside, slik at det er enkelt for operatøren å regulere bladhastigheten (fig. 6).

For å øke hastigheten: Drei skiven til et høyere tall.

For å redusere hastigheten: Drei skiven til et lavere tall.

Ikke la stikksagen gå på lave hastigheter over lengre perioder. Kontinuerlig bruk med lav hastighet kan føre til at stikksagen blir overopphetet. Hvis dette skjer, må du kjøle ned stikksagen ved å la den gå på full hastighet uten belastning.

De følgende retningslinjene kan brukes for å avgjøre hvilken hastighet som er best for ulike bruksområder:

Lav hastighet er ideelt når det bare trengs et minimum av hastighet og kraft, for eksempel når du skal sage det innledende snittet.

Middels høy hastighet egner seg til saging i harde metaller, plast og laminat.

HØY hastighet gir best resultat når det trengs maksimalt med kraft, for eksempel ved saging av trevirke. Myke metaller som aluminium, messing og kobber kan også kreve høye hastigheter.

### **PENDELFUNKSJON**

Stikksagbladet kan sage med en pendelbevegelse. Funksjonen er justerbar, og gir raskere, mer effektiv saging.

Pendelfunksjonen gjør at bladet sager gjennom arbeidsstykket på vei oppover, men ikke dras langs stykket på vei nedover. Bruk de høyeste innstillingene når du vil sage raskt i et mykt materiale. De laveste innstillingene bør brukes ved saging i materialer som yter mer motstand. "0"-innstillingen deaktiverer pendelfunksjonen. "3"-innstillingen gir maksimal pendelbevegelse (fig. 7).

### **VINKELSAGING (GJÆRINGSSAGING)**

For å justere sagevinkelen til en av de forhåndsinnstilte vinklene på 15°, 30° eller 45°:

Løsne de to sekskantskruene (fig. 8) på maskinens underside ved bruk av den medfølgende unbrakonøkkelen.

Løft litt på underplaten slik at den kan flyttes til en av de forhåndsinnstilte sagevinklene som er angitt på vinkelskalaen (fig. 9). Stram til sekskantskruene igjen.

### **SAGING I METALL**

MERK: Stikksagens pendelfunksjon må være deaktivert når du skal sage i metaller og rør. Sett justeringsknotten for pendelfunksjonen til "0" (fig. 10).

Du må bruke en kjøleolje/skjæreolje når du skal sage i metall. Sprut litt olje på bladet eller arbeidsstykket med jevne mellomrom mens du sager, for å redusere slitasjen på bladet.

MERK: Stikksagen må aldri nedsenkes i vann, og kjølemiddelet må aldri trenge inn under dekselet. Dette vil kunne forårsake et dødelig elektrisk støt.

Når du skal sage i rør, renner eller hjørnebeslag, bør du om mulig klemme arbeidsstykket fast i en skrustikke og sage nær skrustikken. Ved saging i tynne platematerialer bør du legge materialet inn mellom to fiber- eller finerplater og klemme lagene fast for å eliminere vibrasjoner og revning. Dermed blir det lettere å sage jevnt og pent i materialet. Plasser mønsteret eller sagelinjen oppå det øverste laget i "sandwichen".

Merk: Når du sager i metall, må du holde den eksponerte delen av sagstangen fri for metallspen ved å tørke hyppig med en oljet klut. Den oljeholdige kluten må deponeres forsvarlig etter at jobben er fullført, for å forhindre potensiell brannfare.

### **SIRKELSAGING**

Når du skal starte sagingen midt i arbeidsstykket, må du først bore et hull med en diameter på 12 mm for å sikre at bladet har tilstrekkelig klaring.

## TIPS

Når du skal sage i materialer med en dekorativ eller polert overflate, bør du dekke enten stikksagens underplate eller materialets overflate med maskeringstape eller tilsvarende for å unngå at det oppstår riper.

## VEDLIKEHOLD

Advarsel! For å unngå ulykker må du alltid koble verktøyet fra strømuttaket før du begynner å rengjøre eller utføre vedlikehold på det.

Dette elektriske verktøyet krever normalt ikke noe vedlikehold, men ventilasjonsåpningene på motorhuset bør rengjøres fra tid til annen. Hvis enheten slutter å fungere, må den repareres av en autorisert servicerepresentant for elektriske verktøy.

Den mest effektive måten å rengjøre verktøyet på, er å bruke trykkluft. Bruk alltid øyevern når du rengjør verktøy ved bruk av trykkluft.

Ventilasjonsåpningene og bryterne må holdes rene og fri for fremmedlegemer. Ikke forsøk å rengjøre verktøyet ved å stikke skarpe gjenstander inn gjennom åpninger.

Ikke bruk løsemidler når du rengjør plastdeler. De fleste plasttyper vil kunne ta skade av å bli rengjort med forskjellige typer løsemidler som er i vanlig salg. Bruk rene kluter til å fjerne smuss, støv, olje, fett osv.

**ADVARSEL:** Bremsvæske, bensin, petroleumsbaserte produkter, rustopløsende olje osv. må ikke under noen omstendighet komme i kontakt med plastdeler. Kjemikalier kan skade, svekke eller ødelegge platen, noe som igjen kan medføre alvorlig personskade.

Elektriske verktøy som brukes på glassfibermateriale, bygningsplater, sparkelmateriale eller gips, utsettes for akselerert slitasje og kan potensielt få kortere levetid, ettersom glassfiberbiter og støv fra slike materialer har en kraftig slipende virkning på lagre, børster, kommutatorer osv. Av denne grunn anbefaler vi at du ikke bruker dette verktøyet i utstrakt grad på disse materialtypene. Hvis du likevel må arbeide med slike materialer, er det ekstremt viktig at du rengjør verktøyet ved hjelp av trykkluft.

## SMØRING

Alle lagrene i dette verktøyet er smurt med en tilstrekkelig mengde høykvalitets smøremiddel til å vare hele enhetens levetid under normale bruksvilkår. Det trengs derfor ingen ytterligere smøring.

## TEKNISKE SPESIFIKASJONER

Spenning	230 V - 50 Hz
Motor	480 W
Hastighet uten belastning	800–3000 min <sup>-1</sup>
Maks sagekapasitet i tre	65 mm
Maks sagekapasitet i stål	6 mm
Sagevinkler	0°/15°/30°/45°
Lydtrykknivå	L <sub>pA</sub> 87 dB(A) K=3dB(A)
Lydeffektnivå	L <sub>WA</sub> 98 dB(A) K=3dB(A)
Vibrasjonsnivå	a <sub>h,B</sub> =8,571 m/s <sup>2</sup> , K=1.5 m/s <sup>2</sup>  a <sub>h,M</sub> =6,834 m/s <sup>2</sup> , K=1,5 m/s <sup>2</sup>

## SYMBOLER

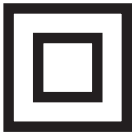
Typeskiltet på verktøyet kan vise symboler. Disse presenterer viktige produktinformasjon eller bruksanvisning.



Bruk hørselvern.  
Bruk øyebeskyttelse.  
Bruk åndedrettsvern.



Samsvarer gjeldende  
sikkerhetsstandarder.



Dobbeltisolert for ekstra  
beskyttelse.



Les bruksanvisningen.



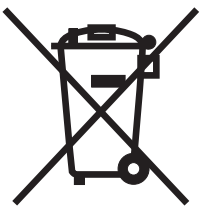
Elektrisk produktavfall skal ikke  
kastes i sammen med  
husholdningsavfall. Resirkuler om  
det finnes fasiliteter for dette.  
Spør lokalmyndigheter eller  
forhandler om råd om  
resirkulering.



Produktet samsvarer HoHS-  
kravene.

## MILJØVERN

Informasjon for (private husholdninger) for miljømessig forsvarlig avhending av Avfall Elektrisk og Elektronisk Utstyr (Waste Electrical and Electronic Equipment) (WEEE)



Dette symbolet på produkter og/eller medfølgende dokumenter angir at brukt og utbrukt elektrisk og elektronisk utstyr ikke må kastes i husholdningsavfallet. For korrekt avhending, behandling, gjenbruk og resirkulering, vær vennlig å ta disse produktene til dedikerte oppsamlingspunkt, der de vil bli mottatt uten kostnad. Alternativt kan en i noen land ha mulighet til å returnere produktet til forhandler mot kjøp av et nytt tilsvarende produkt. Korrekt avhending av dette produktet vil bidra til å ivareta viktige ressurser og hindre potensielle negative effekter på menneskelig helse og miljøet, noe som kan oppstå ved feil avfallshåndtering og -behandling. Vær vennlig å kontakte lokal myndighet for flere detaljer om

ditt nærmeste oppsamlingspunkt. Straff kan påregnes for feil avhending av dette avfallet, i henhold til nasjonal lovgivning.

### FOR BEDRIFTER INNENFOR EU.

Hvis du ønsker å kaste elektrisk og elektronisk utstyr, vær vennlig å kontakte din forhandler eller leverandør for mer informasjon.

### Informasjon for avhending i andre land utenfor EU.

Dette symbolet er kun gyldig innenfor EU.

Hvis du ønsker å kaste dette produktet, kontakt dine lokale myndigheter eller forhandler og be om den korrekte måten for avhending.

## ЭЛЕКТРИЧЕСКАЯ ЧАСТЬ ИНСТРУМЕНТА

### ВНИМАНИЕ

Данный инструмент имеет неразборный электрический разъем который соответствует рабочему напряжению инструмента, отвечает требованиям страны импортирования и международным требованиям по электробезопасности.

Напряжение сети электропитания должно соответствовать указанному на заводской табличке.

Поврежденные разъем или токоподводящий кабель необходимо немедленно заменить на новый блок от производителя. При подключении инструмента к сети электропитания руководствуйтесь требованиями и нормативами своей страны. При необходимости обращайтесь к квалифицированному электрику.

### ВВЕДЕНИЕ

Благодарим за приобретение данного изделия, прошедшего наш тщательный контроль качества. Мы позаботились о том, чтобы оно пришло к вам в отличном состоянии.

### БЕЗОПАСНОСТЬ — ПРЕЖДЕ ВСЕГО

Прежде чем эксплуатировать данный электроинструмент, следует предпринять элементарные меры предосторожности, чтобы не допустить пожара, поражения электрическим током или травм. Для понимания назначения, ограничений и потенциальной опасности инструмента важно прочитать инструкцию.

### ГАРАНТИЙНОЕ СВИДЕТЕЛЬСТВО

Гарантия на данное изделие действует в течение 2 лет с даты покупки и распространяется только на первоначального покупателя. Данная гарантия распространяется только на дефекты, возникшие по причине некачественного материала и/или производственного брака, обнаруженных только в течение гарантийного срока, и не покрывает расходные материалы. Изготовитель обязуется отремонтировать или заменить изделие по своему усмотрению при условии, что изделие использовалось согласно инструкции, приведенной в руководстве по эксплуатации изделия, и что оно не подвергалось неправильному использованию, злоупотреблению или использованию не по назначению; оно никаким образом не разбиралось, не вскрывалось с целью самостоятельного ремонта, не обслуживалось посторонними лицами и не сдавалось в аренду. Гарантия не покрывает повреждения в результате перевозки, поскольку за транспортировку отвечает транспортная компания. Претензии по этой гарантии должны подаваться в первую очередь непосредственно продавцу в течение гарантийного периода. Изделие возвращается производителю только в исключительных случаях. В таких ситуациях на покупателе лежит ответственность за возврат изделия за свой счет, за надлежащую упаковку изделия, предотвращающую повреждения при транспортировке. Изделие должно сопровождаться кратким описанием неисправности и копией чека или другого подтверждения покупки. Производитель не несет ответственности за любые особые, штрафные, прямые, не прямые, случайные или косвенные убытки или ущерб в соответствии с настоящей гарантией.

### ЗАКОННЫЕ ПРАВА

Данная гарантия лишь дополняет и никоим образом не влияет на ваши законные права.

### УТИЛИЗАЦИЯ ПРОДУКТА

По истечении срока службы изделия или при избавлении от него по какой-либо другой причине, продукт нельзя утилизировать вместе с бытовыми отходами. Во имя сохранения природных ресурсов и снижения вредного воздействия на окружающую среду данное изделие следует перерабатывать или утилизировать экологически безопасным образом. Его необходимо отвезти в местный центр переработки отходов или на другое предприятие, уполномоченное для сбора и утилизации.

Если у вас возникают сомнения по этому поводу, проконсультируйтесь с местными органами власти о допустимых вариантах переработки и/или утилизации.

### СПЕЦИАЛЬНЫЕ ИНСТРУКЦИИ ПО ТЕХНИКЕ БЕЗОПАСНОСТИ

**ПРЕДУПРЕЖДЕНИЕ!** При обработке некоторых видов дерева и деревянных изделий, особенно ДВП (древесноволокнистая плита средней плотности), может появляться пыль, опасная для здоровья. При работе с этим инструментом мы рекомендуем в дополнение к средствам пылеулавливания использовать сертифицированную маску для лица со сменными фильтрами.

Не запускайте устройство, если пильное полотно контактирует с рабочей поверхностью.

Если лобзик оснащен регулируемым направляющим роликом пильного полотна или функцией маятника, убедитесь, что они правильно отрегулированы.

Если лобзик оснащен функцией регулировки скорости, выберите подходящую скорость для выполняемой работы. Скорость можно регулировать при работающем двигателе. Не меняйте настройки скорости во время выполнения разреза.

Проверьте рабочую поверхность на наличие выступающих гвоздей, головок винтов и других объектов, которые могут повредить пильное полотно.

Убедитесь, что под заготовкой нет никаких препятствий. Лучше всего выполнять работу на козлах или верстаках.

Держите устройство правильно и сохраняйте устойчивое положение. Убедитесь, что кабель питания не может попасть под инструмент или зацепиться и помешать полному режущему ходу.

Используйте подходящее для работы пильное полотно и незамедлительно заменяйте изношенные пильные полотна. Это облегчит резку и продлит срок службы устройства. Используйте инструмент только по назначению и не пытайтесь менять его конструкцию.

Следите за тем, чтобы пластина основания плотно контактировала с поверхностью заготовки перед началом работы.

Во время работы не прилагайте к инструменту чрезмерных усилий, дайте лобзику выполнить работу. Чрезмерное усилие может привести к сокращению срока службы пильного полотна и перегрузке устройства.

Перед включением устройства убедитесь, что пильное полотно не контактирует с заготовкой.

Прежде чем извлечь пильное полотно из заготовки, дождитесь полной остановки лобзика.

Не пытайтесь выполнять слишком сложные изогнутые разрезы. Это может привести к возникновению чрезмерного давления на пильное полотно и его поломке.

Следите за тем, чтобы лобзик был сухим и чистым и на нем не было масла или смазочного материала.

Не используйте каустические чистящие средства для чистки пластмассовых частей корпуса.

Следите, чтобы вентиляционные отверстия в корпусе двигателя были чистыми.

После каждого использования очищайте блок пылеулавливания при помощи пылесоса.

Всегда надевайте защитные очки.

Не допускайте попадания воды на устройство или кабели.

Не используйте лобзик для влажной резки, т. е. не погружайте пильное полотно в воду. В противном случае есть риск смертельного поражения электрическим током.

При использовании удлинительного кабеля полностью разматывайте его (минимальный диаметр 1 мм<sup>2</sup>). Если у вас есть сомнения, обратитесь к квалифицированному электрику.

Закрепите заготовку на подходящем верстаке, чтобы управлять инструментом обеими руками.

Не режьте заготовки, размер которых превышает возможности инструмента.

Крепко держите инструмент.

Не прикасайтесь к движущемуся пильному полотну руками.

Определите положение кабелей питания перед врезанием в деревянные стены и панели.

Не прикасайтесь к пильному полотну после использования — оно очень горячее.

Держите кабель питания лобзика подальше от пильного полотна. По возможности закрепите его перед началом работы.

Не помещайте руки под заготовку.

## **ОБЩИЕ МЕРЫ ПРЕДОСТОРОЖНОСТИ**

**ПРЕДУПРЕЖДЕНИЕ!** Прочтите все инструкции. Невыполнение инструкций, приведенных ниже, может стать причиной поражения электрическим током, пожара и/или серьезной травмы. Во всех предупреждениях ниже термин «электроинструмент» относится к вашему электрическому инструменту со шнуром или без него (с батареей).

## **СОХРАНИТЕ ЭТИ ИНСТРУКЦИИ**

### **1. РАБОЧАЯ ЗОНА**

- A. Рабочая зона должна быть чистой и хорошо освещенной. Захламленная и темная рабочая зона — причина несчастных случаев.
- Б. Не эксплуатируйте электроинструменты во взрывоопасной атмосфере, в присутствии воспламеняющихся жидкостей, газов, пыли. От электроинструментов бывают искры, которые могут поджечь пыль или испарения.
- В. При эксплуатации электроинструмента не допускайте к себе детей и посторонних. Отвлечение может стоить вам потери контроля.

### **2. ЭЛЕКТРОБЕЗОПАСНОСТЬ**

- A. Штекеры электроинструментов должны соответствовать розеткам. Никогда никоим образом не изменяйте штекер. Не используйте переходники с заземляемыми электроинструментами. Риск поражения током будет ниже, если штекеры не изменялись, а розетки подходят к штекерам.
- Б. Избегайте контакта тела с заземленными поверхностями, например с трубами, радиаторами, кухонными плитами и холодильниками. Для заземленного тела риск поражения электрическим током повышается.
- В. Не подвергайте электроинструменты воздействию дождя или влаги. Вода, попавшая в электроинструмент, повышает риск поражения током.

- Г. Аккуратно обращайтесь со шнуром. Не переносите и не тяните электроинструмент за шнур, не вытаскивайте за шнур штекер из розетки. Держите шнур подальше от тепла, масла, острых поверхностей и движущихся частей. Поврежденные или спутанные шнуры повышают риск поражения током.
- Д. При эксплуатации электроинструмента на улице используйте удлинитель, предназначенный для наружной работы. Использование шнура для наружной работы снизит риск поражения электрическим током.

### 3. ЛИЧНАЯ БЕЗОПАСНОСТЬ

- А. При работе с электроинструментом будьте бдительны, следите за своими действиями и руководствуйтесь здравым смыслом. Не используйте электроинструмент, если вы устали, находитесь под воздействием наркотических веществ, алкоголя или медикаментов. Мгновение рассеянности при работе с электроинструментом может послужить причиной серьезной травмы.
- Б. Используйте защитные средства. Всегда одевайте защитные очки. Средства защиты, такие как пылевая маска, нескользящие ботинки, каска, защита для ушей, в соответствующих условиях снижают риск травматизма.
- В. Избегайте случайных пусков. Перед включением в розетку убедитесь, что выключатель в положении «Выкл.». Перенос электроинструментов с пальцем, лежащим на кнопке, или подключение к розетке со включенным выключателем — причины несчастных случаев.
- Г. Перед включением электроинструмента уберите все настроечные и гаечные ключи. Гаечный ключ, оставленный на вращающейся детали электроинструмента, может вызвать травму.
- Д. Не тянитесь слишком далеко. Всегда устойчиво стойте на ногах. Так вы сможете лучше контролировать электроинструмент в непредвиденных ситуациях.
- Е. Одевайтесь должным образом. Не надевайте свободную одежду, украшения. Следите, чтобы волосы, одежда, перчатки не попали в движущиеся части. Свободная одежда, украшения, длинные волосы могут попасть в движущиеся части.
- Ж. Если предусмотрены присоединяемые устройства для извлечения и сбора пыли, убедитесь, что они подключены и эксплуатируются должным образом. Применение таких устройств снижает риск опасности, связанной с пылью.

### 4. ЭКСПЛУАТАЦИЯ И УХОД ЗА ЭЛЕКТРОИНСТРУМЕНТОМ

- А. Не применяйте излишней силы. Используйте электроинструмент по назначению. Так работа будет производиться эффективнее и безопаснее, в том темпе, который предусмотрен для электроинструмента.
- Б. Не используйте электроинструмент, если у него не работает выключатель. Электроинструмент с неработающим выключателем опасен и подлежит ремонту.
- В. Прежде чем выполнять какие-либо регулировки, замену принадлежностей или складывание электроинструментов для хранения, отключайте электроинструмент от источника питания. Данная мера безопасности снижает риск случайного включения электроинструмента.
- Г. Неиспользуемый электроинструмент следует хранить вдали от детей, и не разрешать людям, не знакомым с электроинструментом или данными инструкциями, использовать его. Электроинструменты в руках необученного пользователя опасны.
- Д. Электроинструмент требует ухода. Проверяйте его на наличие несоответствия или недостаточного крепления движущихся частей, поломки деталей или прочих условий, которые способны повлиять на работу электроинструмента. При обнаружении повреждений не используйте инструмент, пока его не починят. Многие несчастные случаи происходили из-за ненадлежащего ухода за электроинструментами.
- Е. Режущие инструменты должны быть острыми и чистыми. Правильно обслуживаемые режущие инструменты с острыми режущими кромками меньше заедают, и ими проще управлять.
- Ж. Используйте электроинструменты, принадлежности, вставные резцы и т. д. в соответствии с этими инструкциями и в порядке, предусмотренном для конкретного типа электрического инструмента, с учетом условий труда и выполняемой работы. Использование электрического инструмента не по назначению может привести к опасной ситуации.

### 5. ОБСЛУЖИВАНИЕ

- А. Обслуживание электроинструмента следует поручить квалифицированному специалисту по ремонту, который использует только идентичные запасные части. Так вы обеспечите безопасность обслуживаемого электроинструмента.

## КОМПОНЕНТЫ И ОРГАНЫ УПРАВЛЕНИЯ (РИС. 1)

1.	Регулятор скорости
2.	Кнопка блокировки
3.	Рукоятка
4.	Шестигранный ключ
5.	Кабель питания
6.	Отверстие для удаления пыли
7.	Угловая шкала
8.	Пластина основания
9.	Опора ролика пильного полотна
10.	Пильное полотно
11.	Фиксатор параллельной направляющей
12.	Щиток пильного полотна
13.	Рычаг зажима для быстрой смены пильного полотна
14.	Регулятор орбитального хода
15.	Курковый выключатель

### РАСПАКОВКА

**Внимание!** Упаковка содержит острые предметы. Соблюдайте осторожность во время распаковки. Извлеките из упаковки устройство и прилагаемые дополнительные приспособления. Внимательно проверьте и убедитесь в исправности устройства и наличии всех принадлежностей, перечисленных в данном руководстве пользователя. Кроме того, проверьте целостность всех дополнительных приспособлений. Если какие-либо части отсутствуют, устройство и дополнительные приспособления необходимо вернуть торговому представителю в оригинальной упаковке.

Не выбрасывайте упаковку, храните ее в течение гарантийного периода, а затем утилизируйте надлежащим образом. Не позволяйте детям играть с пустыми пластиковыми пакетами, чтобы предотвратить удушье.

### СБОРКА

Примечание. Перед выполнением сборки или разборки устройства убедитесь, что устройство не подключено к источнику питания.

### УСТАНОВКА ПИЛЬНЫХ ПОЛОТЕН ЛОБЗИКА

Выбор правильного типа пильного полотна является важным шагом для обеспечения максимальной производительности инструмента. Выберите пильное полотно в соответствии с типом выполняемой работы и материалом, который необходимо разрезать. Правильный выбор пильного полотна является залогом плавной и быстрой резки, а также продлевает срок службы самого полотна.

Система замены пильного полотна без инструментов позволяет свести к минимуму количество инструментов, используемых при установке и замене пильного полотна.

Примечание. Перед установкой пильного полотна убедитесь, что устройство не подключено к источнику питания.

Поднимите рычаг зажима для быстрой смены пильного полотна до упора (Рис. 2).

Удерживая рычаг в поднятом положении, вставьте пильное полотно до упора в отверстие пильной шины (Рис. 3).

Убедитесь, что задняя часть пильного полотна отцентрована по пазу направляющего ролика.

Отпустите рычаг зажима пильного полотна. Убедитесь, что пильное полотно надежно закреплено на месте.

Примечание. Во время использования периодически проверяйте надежность крепления пильного полотна.

### ВКЛЮЧЕНИЕ И ВЫКЛЮЧЕНИЕ ЛОБЗИКА

Чтобы включить лобзик, нажмите и удерживайте курковый переключатель (Рис. 4).

Отпустите переключатель, чтобы выключить инструмент.

### КНОПКА БЛОКИРОВКИ

Лобзик оснащен функцией блокировки, обеспечивающей удобство при непрерывной работе в течение длительного времени. Чтобы заблокировать инструмент для постоянного режима работы, нажмите и удерживайте курковый переключатель, затем нажмите и удерживайте кнопку блокировки (Рис. 5), а потом отпустите курковый переключатель.

Отпустите кнопку блокировки, и лобзик будет продолжать работать.

Чтобы снять блокировку, нажмите и отпустите курковый переключатель.

Если во время использования в постоянном режиме устройство было отключено от источника питания, немедленно отключите функцию блокировки.

Предупреждение! Перед подключением лобзика к источнику питания убедитесь, что функция блокировки отключена (нажмите и отпустите переключатель питания). Несоблюдение данного правила может привести к преждевременному запуску и получению серьезных травм. Кроме того, не активируйте функцию блокировки, если может понадобиться быстро остановить инструмент.

### РЕГУЛИРОВКА СКОРОСТИ

Функция регулировки скорости позволяет увеличивать или уменьшать скорость при помощи вращения регулятора между положениями 1 (медленно) и 6 (быстро). Регулятор расположен на верхней части лобзика, что позволяет



пользователю управлять скоростью хода пильного полотна (Рис. 6).

Чтобы увеличить скорость, установите регулятор на большее значение.

Чтобы уменьшить скорость, установите регулятор на меньшее значение.

Не рекомендуется работать с инструментом на низких скоростях в течение длительного времени. Длительная работа на низких скоростях может привести к перегреву устройства. Если инструмент перегрелся, запустите его без нагрузки на полной скорости, чтобы охладить.

Для определения подходящей скорости для различных операций руководствуйтесь следующими рекомендациями.

Низкая скорость идеально подходит в тех случаях, когда требуется использовать минимальную мощность, например в начале процесса резки.

Средняя скорость подходит для резки твердых металлов, пластика и ламината.

ВЫСОКАЯ скорость обеспечивает наилучшие результаты работы при максимальной мощности, например при резке дерева. Мягкие металлы, такие как алюминий, латунь и медь, также рекомендуется резать на высоких скоростях.

### **ОРБИТАЛЬНЫЙ ХОД**

Пильное полотно лобзика режет орбитальными движениями. Эта функция регулируется и обеспечивает более быструю и эффективную резку.

При помощи орбитального хода пильное полотно разрезает заготовку движениями вверх, а не вниз. Высокие значения настроек используются для быстрой резки мягких металлов. Низкие значения настроек используются для резки материалов большей плотности. Чтобы отключить функцию орбитального хода, установите регулятор в положение «0». Для максимальной амплитуды орбитального хода установите регулятор в положение «3» (Рис. 7).

### **УГЛОВАЯ РЕЗКА**

Выбор одного из трех положений угловой резки: 15°, 30° или 45°.

При помощи шестигранного ключа открутите два винта с шестигранной головкой (Рис. 8), расположенные на нижней части устройства.

Слегка приподнимите основание, пока его нельзя будет установить в одно из положений для угловой резки, указанных на угловой шкале (Рис. 9). Снова затяните винты с шестигранной головкой.

### **РЕЗКА МЕТАЛЛА**

**ПРИМЕЧАНИЕ.** Для резки металла и кабель-каналов функция орбитального хода должна быть отключена. Установите регулятор орбитального хода в положение «0» (Рис. 10).

При резке металла используйте подходящее охлаждающее масло или масло для резки. Просто разбрызгивайте смазку на пильное полотно или заготовку через равные промежутки времени во время резки, чтобы предотвратить чрезмерный износ полотна.

**ПРИМЕЧАНИЕ.** Не погружайте лобзик в воду и не допускайте попадания охлаждающей жидкости внутрь корпуса. В противном случае есть риск смертельного поражения электрическим током.

При резке кабель-каналов, труб или железных уголков закрепляйте их в тисках (если возможно) и выполняйте разрез рядом с колодками тисков. Для резки тонких листовых материалов закрепляйте их между ДВП-панелями или листами фанеры и сжимайте слои, чтобы исключить вибрацию и разрыв материала. Это позволит выполнить плавный разрез. Наметьте рисунок или линии разреза на верхнем слое.

**Примечание.** При резке металла выступающая часть пильной шины должна быть чистой, поэтому периодически протирайте ее от стружки при помощи промасленной ткани. В целях предотвращения риска возникновения пожара утилизируйте промасленную ткань с особой осторожностью после завершения работы.

### **КРУГОВАЯ РЕЗКА**

Начиная разрез от центра заготовки, просверлите отверстие диаметром 12 мм, чтобы обеспечить достаточный зазор для пильного полотна.

### **СОВЕТ**

При резке материала с декоративным или глянцевым покрытием заклейте подходящей липкой лентой основание лобзика или поверхность разрезаемого материала, чтобы предотвратить появление царапин.

### **ОБСЛУЖИВАНИЕ**

**Предупреждение!** Во избежание несчастных случаев всегда отсоединяйте инструмент от источника питания перед очисткой или обслуживанием.

Данный электроинструмент обычно не требует обслуживания. Время от времени необходимо очищать вентиляционные отверстия на корпусе двигателя. В случае возникновения неисправности ремонт электроинструмента должен выполняться специалистом авторизованного сервисного центра.

Наиболее эффективна очистка инструмента сжатым сухим воздухом. При очистке сжатым воздухом надевайте защитные очки.

Вентиляционные отверстия и рычаги переключателя должны быть чистыми и не закрытыми посторонними предметами. Никогда не выполняйте очистку острыми предметами через отверстия.

Не используйте растворители для чистки пластмассовых деталей. Большинство пластиковых частей чувствительны к различным бытовым растворителям и могут быть повреждены. Для очистки от грязи, пыли, масла, смазки и т. п. используйте чистую ткань.

**ПРЕДУПРЕЖДЕНИЕ!** Не допускайте попадания на пластиковые части тормозной жидкости, бензина, продуктов на нефтяной основе, пропитывающих масел и т. д. Химические вещества могут повредить, ослабить или разрушить пластик, что приведет к получению серьезных травм.

Использование электроинструментов для материалов из стекловолокна, строительного картона, шпатлевки или штукатурки способствует ускоренному износу и преждевременному выходу оборудования из строя, поскольку стекловолоконная стружка оказывает сильное абразивное действие на подшипники, щетки и переключатели. Поэтому не рекомендуется использовать данный инструмент для длительной работы с такими материалами. Однако если работа с каким-либо из этих материалов все же выполняется, чрезвычайно важно очищать инструмент при помощи сжатого воздуха.

#### **СМАЗКА**

Все подшипники в данном устройстве смазаны высококачественным смазочным материалом в количестве, достаточном для срока службы в условиях нормальной эксплуатации. Поэтому дополнительная смазка не требуется.

#### **ТЕХНИЧЕСКИЕ ХАРАКТЕРИСТИКИ**

Напряжение	230 В, 50 Гц
Двигатель	480 Вт
Скорость работы без нагрузки	800-3000 об/мин
Макс. глубина резания для дерева	65 мм
Макс. глубина резания для стали	6 мм
Углы резания	0°, 15°, 30° и 45°
Уровень звукового давления	$L_{pA}$ 87 дБ (A) K=3 дБ (A)
Уровень звуковой мощности	$L_{WA}$ 98 дБ (A) K=3 дБ (A)
Уровень вибрации	$a_{h,B}=8,571 \text{ м/с}^2$ K=1,5 м/с <sup>2</sup>  $a_{h,B}=6,834 \text{ м/с}^2$ K=1,5 м/с <sup>2</sup>

## СИМВОЛЫ

Паспортная табличка устройства может содержать символы. Они предоставляют важную информацию об изделии или инструкции по его использованию.



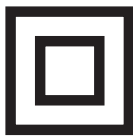
Используйте средства защиты органов слуха.

Используйте средства защиты органов зрения.

Используйте средства защиты органов дыхания.



Соответствует требованиям применимых стандартов безопасности.



Данное устройство оснащено двойной изоляцией для дополнительной защиты.



Прочитайте инструкцию.



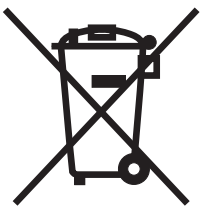
Неработающие электрические устройства нельзя выбрасывать вместе с бытовым мусором. Сдавайте их на переработку в специально оборудованные центры. Получите информацию по переработке в местном органе власти или у торгового представителя.



Данное изделие соответствует требованиям по ограничению содержания вредных веществ.

## ЗАЩИТА ОКРУЖАЮЩЕЙ СРЕДЫ

Информация (для владельцев частных домов) об экологически ответственной утилизации отходов электрического и электронного оборудования (WEEE)



Данный символ на изделиях или сопроводительных документах свидетельствует о том, что использованное электрическое и электронное оборудование или таковое с истекшим сроком службы нельзя утилизировать с бытовыми отходами. Для надлежащей утилизации, обработки, восстановления и переработки эти изделия следует сдавать в предназначенные для этого центры сбора, где их принимают бесплатно. В некоторых странах есть возможность вернуть изделие продавцу при покупке эквивалентного нового изделия. Правильная утилизация данного изделия поможет сохранить ценные природные ресурсы и предотвратить вредное воздействие на здоровье людей и окружающую среду вследствие ненадлежащего обращения с отходами. Для получения информации о

ближайшем центре сбора обращайтесь в местные органы власти. За неправильную утилизацию таких отходов может взиматься штраф согласно национальному законодательству.

### ДЛЯ БИЗНЕС-ПОЛЬЗОВАТЕЛЕЙ В ЕВРОПЕЙСКОМ СОЮЗЕ.

Если вы хотите избавиться от электрического или электронного оборудования, обратитесь к продавцу или дилеру за информацией.

### Информация об утилизации в странах, не входящих в Европейский Союз.

Данный символ действителен только в Европейском Союзе.

При необходимости утилизировать изделие обратитесь в местные органы власти или к дилеру за информацией о том, как правильно это сделать.

**TÄHTIS**

Sellel tootel on plombeeritud elektripistik, mis vastab seadmele ja teie riigi elektrivoolu süsteemile ning on kooskõlas rahvusvaheliste normatiivide nõudmistega.

Seade tuleb ühendada toitepingega, mis on võrdne tehnilises tabelis näidatuga. Kui pistik ja toitejuhe on rikutega, tuleb need asendada detailidega, mis on identsed originaalile.

Pidage alati kinni oma riigi määrustest elektrivõrku lülitamise kohta.

Juhul, kui Teil tekib kahtlusi, pöörduge kvalifitseeritud elektriku poole.

**SISSEJUHATUS**

Täname, et soetasite selle toote, mis on läbinud meie põhjaliku kvaliteedikontrolli. Oleme teinud kõik endast oleneva, et toode jõuaks teieni ideaalses seisukorras.

**OHUTUS ON KÕIGE OLULISEM**

Enne tikksae kasutamist tutvuge allpool loetletud põhiliste ohutusnõuetega, mis aitavad vähendada tulekahju-, elektrilöögi- ja vigastuseohtu.

Selleks et mõista seadme talitlust, kasutuspiiranguid ja tööriistaga seonduvaid võimalikke ohtusid, lugege kasutusjuhend hoolikalt läbi.

**TOOTE KÕRVALDAMINE KASUTUSEST**

Kui toode on muutunud kasutuskõlbmatuks või kui see kõrvaldatakse kasutusest mingil muul põhjusel, ei tohi toodet ladustada tavaliste olmejäätmete hulka. Loodusressursside hoidmiseks ja negatiivse keskkonnamõju vähendamiseks võimaldage toote taaskasutamine või kõrvaldage see kasutusest keskkonnasäästlikul viisil. Viige toode kohalikku jäätmekäitluskeskusesse või mõnda muusse volitatud kogumis- või jäätmekäitluspunkti.

Kahtluste korral pöörduge kohaliku omavalitsuse poole, kust saate lisateavet taaskasutuse ja/või kasutusest kõrvaldamise erinevatest võimalustest

**SPETSIAALSED OHUTUSJUHISED**

**ETTEVAATUST!** Mõned puidud ja puidu tüüpi materjalid, eriti MDF (keskmise tihedusega puitkiudplaat) võivad tekitada tolmu, mis võib tervisele ohtlik olla. Soovitame seadme kasutamise ajal tarvitada nõuetekohast asendatavate filtritega näomaski lisaks tolmu eemaldussüsteemi kasutamisele.

Ärge käivitage seadet, kui tera on töödeldava detailiga kontaktis.

Kui tikksaele on paigaldatud reguleeritav tera juhrullik või pendeldava tegevuse korral veenduge, et see on õigesti reguleeritud.

Kui tikksaele on paigaldatud muutuva kiiruse regulaator, valige töö jaoks õige kiirus. Kiirust saab mootori töötamise ajal muuta. Ärge muutke kiirust saagimise ajal.

Kontrollige, et töödeldavas detailis poleks väljaulatuvaid naelu, kruvipäid ega midagi muud, mis võiks tera kahjustada.

Veenduge, et töödeldava detaili all poleks takistusi, kuna saagimispukkidesse ja lauaplaatidesse on lihtne sisse saagida.

Hoidke seadet õigesti ja seiske stabiilselt. Veenduge, et toitejuhe ei saa seadmega kokku puutuda ega esemetesse takerduda, takistades niiviisi saagimiskorra lõpule viimist.

Kasutage töö jaoks õiget tera ning asendage see kohe, kui see ära kulub – sellega tagate saagimise kerguse ning pikendate seadme kasutusiga. Ärge kunagi püüdke seadet kohandada ega kasutada seda eesmärgiks, milleks see mõeldud pole.

Enne saagimise alustamist veenduge alati, et alusplaat on töödeldava detailiga tihedas kontaktis.

Ärge kasutage tikksaagi jõuga, laske tikksael ise töötada. Tikksae jõuga kasutamine vähendab tera kasutusiga, avaldades seadmele tarbetut survet.

Veenduge, et saag on enne käivitamist töödeldavast detailist eemal.

Laske tikksael täielikult peatuda, enne kui selle töödeldavast detailist eemaldate.

Ärge püüdke liiga järsku kumerust lõigata - see avaldab terale liigset survet ning see võib murduda.

Hoidke tikksaagi alati puhtana ning vabana õlist ja määrdeainetest.

Ärge kasutage plastkorpuse puhastamisel söövitavaid puhastusaineid.

Hoidke alati korpuses olevad mootori ventilatsioonivad mustusest ja teistest takistustest puhtana.

Kasutage alati tolmuimejat, et tolmueraldusüksust pärast iga kasutuskorda puhastada.

Kandke kogu aeg kaitseprille.

Seade ega selle juhtmed ei tohi kunagi puutuda kokku veega.

Ärge kasutage tikksaagi märglõikurina, st ärge kastke tera vette. See tekitab eluohtliku šoki.

Pikendusjuhtme kasutamise korral kerige see täielikult lahti (pikendusjuhtme minimaalne diameeter peab olema 1 mm<sup>2</sup>). Kahtluse korral pidage nõu kvalifitseeritud elektrikuga.

Kinnitage detail sobivale tööpingile, mis võimaldab tikksaagi mõlema käega kasutada.

Ärge saagige detaile, mille suurus ületab sae võimsust.

Hoidke tööriista tugevalt käes.

Ärge kunagi puudutage liikuvat tera.

Enne puitseinte ja seinapaneelide saagimist selgitage välja toitejuhtmete asukohad

Ärge puudutage pärast kasutamist saetera, kuna see on väga kuum.

Hoidke tikksae juhe terast eemal. Võimalusel kinnitage see enne saagimist klambritega.

Ärge pange käsi töödeldava detaili alla.

## ÜLDISED OHUTUSNÕUDED

**HOIATUS!** Lugege kõik juhised hoolikalt läbi.

Allpool loetletud nõuete eiramine võib põhjustada elektrilöögi, tulekahju ja/või raskeid vigastusi. Kõigis alljärgnevates hoiatustes loetletud mõiste "elektrotööriist" tähendab toitekaabliga elektritööriista ja akuga (toitekaablita) tööriista.

## HOIDKE KASUTUSJUHEND ALLES.

### 1) TÖÖALA

- a) Tööala peab olema puhas ja hästi valgustatud. Segamini ja pime töökoht kutsub esile õnnetusi.
- b) Ärge kasutage elektritööriista plahvatusohtlikus keskkonnas, näiteks kohas, kus on kergestisüttivaid vedelikke, gaase või tolmu. Elektritööriistad võivad tekitada sädemeid, mis võivad süüdata tolmu või auru.
- c) Elektritööriistaga töötamise ajal hoidke lapsed ja kõrvalised isikud eemal. Tähelepanu hajumisega võib kaduda ka kontroll tööriista üle.

### 2) ELEKTRIOHUTUS

- a) Elektritööriista pistik peab vastama seinakontaktile. Keelatud on pistiku muutmine ükskõik mil moel. Ärge kasutage adapterpistikuid koos maandatud elektritööriistadega. Muudatusteta pistikud ja sobivad seinakontaktid vähendavad elektrolöögi ohtu.
- b) Vältige kehakontakti selliste maandatud pindadega nagu torud, radiaatorid, pliidid ja külmikud. Elektrilöögi oht suureneb, kui teie keha on maandatud.
- c) Ärge jätke elektritööriista vihma kätte ega niiskettesse tingimustesse. Elektritööriista sattunud vesi suurendab elektrilöögi ohtu.
- d) Ärge kasutage toitekaablit valesti. Ärge kasutage toitekaablit elektritööriista kandmiseks, tõmbamiseks ega vooluvõrgust lahti ühendamiseks. Vältige toitekaabli kontakti kuumaallikate, õli, teravate servade ja liikuvate osadega. Kahjustunud või keerdunud toitekaablid suurendavad elektrilöögi ohtu.

- e) Kui te töötate elektritööriistaga väljas, kasutage välistingimustes kasutamiseks mõeldud pikenduskaablit. Välistingimustes kasutamiseks mõeldud toitekaabel vähendab elektrilöögi ohtu.

### 3) ISIKUOHUTUS

- a) Olge tähelepanelik, jälgige oma tegevust ja kasutage tööriistaga töötamisel tervet mõistust. Ärge kasutage elektritööriista, kui olete ravimite või alkoholi mõju all või kui teile on tehtud raviprotseduure. Kas või hetkeline tähelepanematus elektritööriista kasutamisel võib põhjustada raskeid kehavigastusi.
  - b) Kasutage isikukaitsevahendeid. Kandke alati silmakaitseid. Selliste kaitsevahendite nagu tolumask, libisemisvastaste taldadega turvajalatsid, tugev kiiver ja kuulmiskaitseid kasutamine õigesti tingimustes vähendab kehavigastuste ohtu.
  - c) Vältige seadme juhuslikku käivitumist. Enne seadme ühendamist vooluvõrku veenduge, et lüliti on väljalülitatud asendis. Tööriista hoidmine nii, et sõrm on lüliti, või tööriista ühendamine vooluvõrku, kui tööriista lüliti on alla vajutatud, võib põhjustada õnnetusi.
  - d) Enne tööriista ühendamist vooluvõrku eemaldage kõik reguleer- ja mutrivõtmed. Elektritööriista liikuvale osale unustatud mutri- või reguleervõti võib põhjustada kehavigastusi.
  - e) Ärge küünitage liialt ette. Jalgedel peab alati olema kindel toetus. Hoidke keha alati tasakaalus. Nii on tagatud parem kontroll elektritööriista üle ootamatutes olukordades.
  - f) Rõivastuge asjakohaselt. Ärge kandke liialt avaraid rõivaid ega ehteid. Hoidke oma juuksed, rõivad ja kindad eemal seadme liikuvatest osadest. Avarad rõivad, ehted ja pikad juuksed võivad jääda seadme liikuvate osade vahele.
  - g) Kui seade on varustatud tolmueemaldus- ja kogumissüsteemide ühendustega, siis veenduge, et süsteemid on nõuetekohaselt ühendatud ja et neid kasutatakse õigesti. Nende seadmete kasutamine vähendab tolmu seonduvaid ohte.
- ### 4) ELEKTRITÖÖRIISTA KASUTAMINE JA HOOLDAMINE
- a) Elektritööriistaga töötamisel ei tohi kasutada jõudu. Kasutage tööks sobivat elektritööriista. Tööle vastav elektritööriist teeb oma töö paremini ja ohutumalt kiirusel, milleks see tööriist on ette nähtud.
  - b) Ärge kasutage elektritööriista, mille lüliti ei lülita seadet sisse ega välja. Kõik elektritööriistad, mida ei ole võimalik lülitist juhtida, on ohtlikud ja need tuleb ära parandada.

- c) Enne tööriista reguleerimist, lisatarvikute vahetamist või seadme hoiustamist tõmmake pistik seinakontaktist välja. Sellised ennetavad ohutusmeetmed aitavad vältida elektritööriista juhuslikku käivitumist.
- d) Kui te elektritööriista ei kasuta, siis hoidke seda lastele kättesaamatus kohtas. Ärge lubage inimestel, kes ei ole enne elektritööriistaga töötanud või kes ei ole neid juhiseid läbi lugenud, tööriistaga töötada. Oskamatu inimese käes on elektritööriistad ohtlikud.
- e) Elektritööriistad vajavad hooldust. Kontrollige, et liikuvad osad ei oleks tasakaalust väljas ega paindes, et osad ei oleks purunenud ja et seadmel ei oleks muid tunnuseid, mis võiks mõjutada elektritööriista talitlust. Kui elektritööriist on kahjustunud, siis laske see enne uuesti kasutamist korda teha. Paljude õnnetuste põhjuseks on halvasti hooldatud elektritööriist.
- f) Lõiketerad peavad olema teravad ja puhtad. Nõuetekohaselt hooldatud lõiketeradel on teravad lõikeservad ja nende paindumine on ebatõenäolisem. Samuti on nendega lihtsam kontrollitult töötada.
- g) Kasutage elektritööriista, tarvikuid ja tööriistaotsakuid jne vastavalt käesolevatele juhistele ja vastavalt konkreetse tööriista kasutusotstarbele. Arvestage töötingimuste ja töö olemusega. Elektritööriistade mittesihipärane kasutamine võib põhjustada ohtlikke olukordi.

## 5) HOOLDAMINE

- a) Elektritööriista võib hooldada kvalifitseeritud remondipersonal, kes kasutab ainult originaalosi. Nii säilib elektritööriista algne ohutus.

### LAHTIPAKKIMINE

**Ettevaatust!** Selles pakendis on teravaid esemeid. Lahtipakkimisel olge ettevaatlik. Võtke seade koos kaasasolevate tarvikutega pakendist välja. Kontrollige hoolikalt, et seade oleks heas töökorras ja kõik käesolevas juhendis loetletud komponendid oleksid olemas. Samuti veenduge, et kõik tarvikud on terviklikud. Kui tuvastate, et mõni seadme osa on puudu, tuleks seade koos tarvikutega originaalpakendis edasimüüjale tagastada.

Ärge visake pakendit ära ja hoidke seda garantiiperioodi jooksul kindlas kohas. Seejärel viige võimalusel taaskasutuspunkti või rakendage asjakohaseid jäätmekäitlusmeetmeid. Lämpumisohtu tõttu ärge laske lastel tühjade kilekottidega mängida.

## SEADME OSAD JA NUPUD (JONIS 1)

1.	Muutuva kiiruse numbrilaud
2.	Tööle lukustamise nupp
3.	Käepide
4.	Kuuskantvõti
5.	Toitejuhe
6.	Tolmueraldusväljund
7.	Nurgaskaala
8.	Sae alusplaat
9.	Tera rulliku tugi
10.	Tera
11.	Paralleelne juhiku lukustusnupp
12.	Terakaitse
13.	Tera klambrihoob kiireks vahetuseks
14.	Lõikejoone reguleerimismnupp
15.	Sisse- ja väljalülituspäästik

### KOKKUPANEK

Märkus: Enne üksuse kokkupanekut või lahtivõtmist veenduge, et üksus ei oleks elektritoitega ühendatud.

### TIKKSAE TERADE PAIGALDAMINE

Õiget tüüpi terade valik on sae parima talitluse jaoks oluline. Valige tera rakenduse ja lõigatava materjali põhjal. Õige tera valik tagab sujuvama ja kiirema saagimise ning pikendab tera kasutusiga.

Tööriistavaba terade kinnitussüsteemiga ei vaja te tööriistu, et tera paigaldada või vahetada.

Märkus: Enne tera kinnitamist veenduge, et üksus ei oleks elektritoitega ühendatud.

Tõstke kiirre vahetuse tera klambrihooba, kuni see peatub (joonis 2).

Tera klambrihooba üleval hoides sisestage saetera nii kaugele sae vardas olemasse avasse kui võimalik (joonis 3).

Veenduge, et saetera tagaosas on rulljuhiku vao keskel.

Vabastage tera klambrihoob. Veenduge, et tera on kindlalt paigas.

Märkus: Kontrollige kasutamise ajal perioodiliselt tera kinnitust.

### TIKKSAE SISSE- JA VÄLJALÜLITAMINE

Tikksee sisselülitamiseks vajutage sisse-/väljalüliti alla (joonis 4).

Tikksee väljalülitamiseks vabastage sisse-/väljalüliti.

## **TÖÖLE LUKUSTAMISE NUPP**

Tikkksaele on paigaldatud pideva töötamise funktsioon, mis on mugav, kui peate pikema aja vältel pidevalt saagima. Seadme tööle lukustamiseks vajutage sisse-/väljalüliti, vajutage ja hoidke tööle lukustamise nuppu all (joonis 5) ning vabastage seejärel sisse-/väljalüliti.

Vabastage tööle lukustamise nupp ning teie tikksaag jätkab töötamist.

Luku vabastamiseks vajutage sisse-/väljalüliti alla ja vabastage see.

Kui teil on kasutamise ajal tööle lukustamise funktsioon sisse lülitatud ning teie tikksaag ühendatakse elektritoitest lahti, lülitage tööle lukustamise funktsioon otsekohe välja.

Ettevaatust! Enne tikksae sisselülitamist veenduge alati, et see poleks tööle lukustatud asendis (vajutage ja vabastage sisse-/väljalüliti). Vastasel juhul võib kaasneda ekslik käivitamine, mille tagajärjeks on võimalikud tõsised vigastused. Samuti ärge lukustage päästikut tööde puhul, kus võib olla tarvis tikksaagi järsult peatada.

## **MUUTUVA KIIRUSE REGULEERIMINE**

Muutuva kiiruse funktsiooniga saate tikksaega töötada kiirustel, mida saab suurendada numbrilaua pööramisega kiiruselt 1 (aeglane) kuni kiiruseni 6 (kiire). Numbrilaud asub mugavalt tikksae peal, võimaldades kasutajal tera kiirust kontrollida (joonis 6).

Kiiruse suurendamiseks: pöörake muutuva kiiruse numbrilauda suuremale numbrile.

Kiiruse vähendamiseks: pöörake muutuva kiiruse numbrilauda väiksemale numbrile.

Ärge laske tikksael pikema aja vältel madalal kiirusel töötada. Pideva kasutamise korral madalal kiirusel töötamine võib põhjustada tikksae ülekuumenemist. Kui see juhtub, jahutage oma tikksaagi, lastes sel ilma koormuseta täiskiirusel töötada.

Erinevate rakenduste jaoks õigete kiiruste määramiseks võib kasutada järgnevaid juhiseid:

Madal kiirus on ideaalne juhul, kui vajate minimaalset kiirust ja võimsust, näiteks esimeste lõigete puhul.

Keskmine kiirus sobib kõvade metallide, plasti ja laminaatmaterjalide lõikamiseks.

KÕRGE kiirusega saavutate parimaid tulemusi siis, kui vajate maksimaalset võimsust, näiteks puidu lõikamisel. Sellised pehmed materjalid nagu alumiinium, messing ja vask võivad samuti kõrgeid kiiruseid vajada.

## **PENDELLIIKUMINE**

Tikkksae tera teeb lõikeid pendelliigutustega. Seda funktsiooni saab reguleerida ning see tagab kiirema ja tõhusama lõikamise.

Pendelliikumise korral lõikab tera üleslöögi ajal läbi detaili, kuid ei tõmba üle detaili allalöögi ajal. Kui soovite lõigata pehmeid materjale, tuleks kasutada

kõrgemaid sätteid. Suurema takistusega materjalide puhul tuleks kasutada madalamaid sätteid. '0' säte lülitab pendelliikumise välja. Säte '3' annab maksimaalse pendelliikumise (joonis 7).

## **NURGA LÕIKAMINE (KALDENURGA LÕIKAMINE)**

Lõikenurga seadmine üheks eelnevalt seadistatud 15°, 30° või 45° suuruseks nurgaks.

Vabastage komplekti kuuluva kuuskantvõtmega kaks kuuskantpolti (joonis 8), mis asuvad seadme alumisel poolel.

Tõstke alust kergelt, kuni alust saab liigutada ühele eelnevalt seadistatud lõikenurgale, mida näete nurgaskaalal (joonis 9). Lõpuks kinnitage kuuskantpoldid.

## **METALLI LÕIKAMINE**

MÄRKUS: Metallide ja torude lõikamisel ei tohi tikksaag olla pendel režiimis. Seadke pendli režiimi reguleerimisnupp asendisse "0" (joonis 10).

Metallide lõikamisel tuleb kasutada sobivat jahutus-/lõikamismääret. Pigistage lihtsalt määrdeainet lõikamise ajal regulaarsete intervallide tagant terale või töödeldavale detailile, et terade kulumist vähendada.

MÄRKUS: Ärge kastke tikksaagi vette ega laske jahutusainel korpusesse siseneda. See võib tekitada eluohtliku elektrišoki.

Veejuhete, torude või nurklaudade lõikamisel kinnitage detail võimalusel kruustangidega ning saagige kruustangide lähedalt. Õhukeste materjalide lõikamisel asetage materjal kahe kõva puitkiudplaadi või viinerplaadi vahele ning kinnitage kihid, et vältida vibratsiooni ja materjali rebenemist. Nii toimides lõigatakse materjali sujuvalt. Asetage oma lõikemuster või -joon kihtide peale.

Märkus: Metallide lõikamisel hoidke saevarda väljaulatuv osa metall-laastudest puhas ja vaba, pühkides seda tihti õlise riidega. Olge pärast töö lõpetamist õlise riide äraviskamisel eriti hoolas, et ennetada võimalikku tuleohtu.

## **RINGI LÕIKAMINE**

Kui alustate lõikamist töödeldava detaili keskosast, puurige 12 mm läbimõõduga auk, et teral oleks piisavalt ruumi liikuda.

## **NÕUANNE**

Kui lõikate dekoratiivse või lihvitud viimistlusega materjale, katke kas tikksae alus või lõigatava materjali pind maalriteibi või muu sobiva teibiga, et kriimustusi ennetada.

## **HOOLDUS**

Ettevaatust! Õnnetuste ennetamiseks eemaldage seade enne puhastamist või hooldustöid alati elektritoitest.

Tavaliselt ei vaja see elektriline tööriist hooldust, kuid aeg-ajalt tuleks mootori katte ventilatsiooniasid puhastada. Kui üksusel esineb rike, peaks seda parandama volitatud elektriliste tööriistade hooldusettevõtte.

Tööriista saab kõige tõhusamalt puhastada kuiva suruõhuga. Tööriista suruõhuga puhastamisel kandke alati kaitseprille.

Ventilatsiooniasid ja lüliti hoobasid tuleb hoida puhtana ja vabana võõrkehadest. Ärge püüdke seadet puhastada selle avadesse teravaid esemeid sisestades.

Vältige plastosade puhastamisel lahustite kasutamist. Enamik plaste on vastuvõtlikud müügil olevatest lahustitest tulenevatele kahjustustele. Kasutage mustuse, tolmu, õli, määrdet jms eemaldamiseks puhast lappi.

**ETTEVAATUST!** Ärge kunagi laske pidurivedelikel, bensiinil põhinevatel toodetel, naftasaadustel, vedelatel õlidel jms plastosadega kokku puutuda. Kemikaalid võivad plasti kahjustada, nõrgendada või purustada, mille tagajärjeks võib olla tõsine kehavigastus.

Elektrilised tööriistad, mida kasutatakse klaaskiust materjali, seinapaneelide, pahtelkitist segude või kipskrohviseguga, kuluvad kiiremini ning on võimalik, et need lähevad varem rikki, kuna klaaskiu killud ja tolm on laagritele, harjastele, ümberlülititele vms väga abrasiivsed. Seega ei soovita me seadet pikemat aega neid tüüpi materjalidega kasutada. Kui te nende materjalidega aga töötate, on väga oluline, et tööriista suruõhku kasutades ära puhastaksite.

### ÕLITAMINE

Kõik seadme laagrid on õlitatud kvaliteetse määrdeainega, millest piisab üksuse kasutuseaks tavapäraste töötingimuste korral. Seega ei ole seda vaja rohkem õlitada.

### TEHNILISED ANDMED

Pinge	230 V – 50 Hz
Mootor	480 W
Koormuseta kiirus	800–3000 min <sup>-1</sup>
Maksimaalne löige puidus	65 mm
Maksimaalne löige terases	6 mm
Lõikenurgad	0°/15°/30°/45°
Helirõhutase	L <sub>pA</sub> 87 dB(A) K=3dB(A)
Helivõimsustase	L <sub>WA</sub> 98 dB(A) K=3dB(A)
Vibratsioonitase	a <sub>h,B</sub> =8,571 m/s <sup>2</sup> , K=1.5 m/s <sup>2</sup>  a <sub>h,M</sub> =6,834 m/s <sup>2</sup> , K=1,5 m/s <sup>2</sup>



## SÜMBOLID

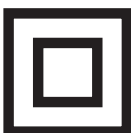
Teie tööriista andmesildil võib olla teatud sümbolid. Need annavad edasi tähtsat teavet toote või selle kasutusjuhiste kohta.



Kandke kuulmiskaitset.  
Kandke kaitseprille.  
Kandke hingamisteede kaitset.



Vastab asjakohastele ohutust  
puudutavatele standarditele.



Täiendavaks kaitseks  
topeltisoleeritud.



Lugege kasutusjuhendit.



Elektriseadmete jäätmetest ei tohi  
vabaneda olmejäätmete seas.  
Vastava võimaluse olemasolul  
taastöödelge. Taastöötlemise  
kohta saate teavet enda kohalikelt  
ametnikelt või jaemüüjalt.



Toode vastab RoHS-direktiivi  
nõuetele.

## KESKKONNAKAITSE

Teave (seadme koduses majapidamises kasutajatele) elektri- ja elektroonikaseadmete jäätmete keskkonnasäästlikuks kasutusest kõrvaldamiseks (WEEE)



Kui toodetel ja/või kaasasolevatel dokumentidel on see sümbol, siis ei tohi kasutuskõlbmatuks muutunud elektri- ja elektroonikaseadmeid ladustada olmeprügi hulka. Toote nõuetekohaseks kasutusest kõrvaldamiseks, töötlemiseks, taastamiseks ja taaskasutamiseks viige toode vastavasse jäätmekogumispunkti. See teenus on tasuta. Mõnedes riikides on võimalus viia toode tagasi edasimüüjale tingimusel, et ostate sealst sarnast uue toote. Selle toote keskkonnasäästlik kasutusest kõrvaldamine aitab säästa väärtuslikke ressursse ja ennetada võimalikku negatiivset mõju inimestevisele ja keskkonnale, mida võib põhjustada jäätmete väär kahjutustamine ja käitlemine. Täpsema teabe lähimast jäätmekogumiskeskusest saate kohalikult omavalitsuselt. Riiklike eeskirjade eiramisel selliste jäätmete kahjutustamisel võidakse karistada trahviga.

## ETTEVÕTETELE EUROOPA LIIDUS

Elektri- ja elektroonikaseadmete kasutuselt kõrvaldamisel pöörduge lisateabe saamiseks edasimüüja või tarnija poole.

### Teave kasutusest kõrvaldamise kohta teistes riikides väljaspool Euroopa Liitu.

See sümbol kehtib ainult Euroopa Liidus.

Kui soovite seda toodet kasutusest kõrvaldada, pöörduge kohaliku omavalitsuse või edasimüüja poole ja küsige teavet kasutusest kõrvaldamise õigete meetodite kohta.

## ELEKTRĪBAS DATI

### SVARĪGS

Šim ražojumam ir elektriskā plombēta kontaktdakšiņa, kas piemērota ierīcei jūsu valsts barošanas strāvai, un atbilst starptautiskām normatīvām prasībām.

Šim instrumentam jābūt pieslēgtam pie barošanas sprieguma, kurš atbilst norādītajam uz tehniskas tabulas. Ja kontaktdakšiņa vai barošanas vads ir bojāti obligāti jānomaina detaļas, kas ir indentiskas oriģinālām detaļām. Vienmēr ievērojiet savas valsts lēmumus par pieslēgšanas pie elektrības barošanas tīkla. Tādā gadījumā, kad šaubāties, vienmēr griežieties pie kvalificēta elektriķa.

### IEVADS

Paldies, ka iegādājāties šo produktu, kas ir izgājis mūsu daudzpusīgo kvalitātes apliecinājuma procesu. Mēs parūpējamies, lai nodrošinātu to, ka saņemat instrumentu ideālā stāvoklī.

### DROŠĪBAS PASĀKUMI

Pirms šī instrumenta lietošanas vienmēr ir jāievēro turpmāk minētie vispārīgie drošības pasākumi, lai samazinātu ugunsgrēka, elektrošoka un miesas bojājumu risku. Lai saprastu lietošanu, ierobežojumus un iespējamo ar šo instrumentu saistīto bīstamību, svarīgi izlasīt lietošanas instrukciju.

### GARANTIJAS SERTIFIKĀTS

Šā produkta garantija darbojas divus gadus, stājas spēkā no iegādāšanās datuma un attiecas tikai uz sākotnējo pircēju. Šī garantija attiecas tikai uz defektiem, kas radušies bojātu materiālu vai apdares dēļ un kas atklāti tikai garantijas periodā; neiekļauj patēriņa produktus. Izgatavotājs saremontēs vai mainīs produktu pēc saviem ieskatiem saskaņā ar turpmāk minēto. Produkts ir jāizmanto atbilstoši instrukcijām, un to nedrīkst nepareizi ekspluatēt vai izmantot neparedzētiem nolūkiem. To nedrīkst izjaukt vai kā citādi pārveidot, apkopi nedrīkst veikt nesertificētas personas un to nedrīkst iznomāt. Pārvadāšanas bojājumi nav iekļauti šajā garantijā, jo par tiem ir atbildīgs transportēšanas uzņēmums. Prasības attiecībā uz šo garantiju vispirms garantijas perioda ietvaros ir jāveic tieši pie mazumtirgotāja. Produkts ir jānogādā atpakaļ pie izgatavotāja tikai izņēmumu gadījumos. Šādā gadījumā klienta pienākums ir nogādāt produktu atpakaļ par saviem līdzekļiem, nodrošinot, ka produkts ir atbilstoši iepakots, lai novērstu pārvadājumu bojājumus, un tiek pievienots īss bojājuma apraksts un kvīts kopija vai cits iegādāšanās pierādījums. Izgatavotājs saskaņā ar šo garantiju nav atbildīgs par jebkādiem specifiskiem, tipveida, tiešiem, netiešiem, nejaušiem vai izrietošiem zudumiem vai bojājumiem.

### LIKUMĪGĀS TIESĪBAS

Šī garantija ir kā pielikums un nekādi neietekmē jūsu likumīgās tiesības.

### PRODUKTA UTILIZĀCIJA

Ja produkts vairs nav izmantojams nolietojuma vai kādu citu iemeslu dēļ, to nedrīkst utilizēt kopā ar sadzīves atkritumiem. Lai pasargātu dabas resursus un minimizētu nelabvēlīgu ietekmi uz vidi, produktu otrreizēji izmantojiet vai utilizējiet videi draudzīgā veidā. Nogādājiet to savā vietējā atkritumu otrreizējās pārstrādes centrā vai kādā citā autorizētā savākšanas vai utilizēšanas instancē.

Ja neesat pārliecināti un nepieciešama informācija par pieejamām otrreizējās pārstrādes un/vai utilizācijas iespējām, sazinieties ar savu vietējo atkritumu apsaimniekošanas iestādi.

### ĪPAŠIE DROŠĪBAS NORĀDĪJUMI

**BRĪDINĀJUMS!** Daži koka un koka tipa produkti, it īpaši vidēja blīvuma kokšķiedru plātnes, var radīt putekļus, kas var kaitēt jūsu veselībai. Izmantojot šo ierīci, papildus putekļu savākšanas ierīcei ieteicams izmantot apstiprinātu sejas masku ar maināmiem filtriem.

Neiedarbiniet ierīci, ja tās asmens ir saskarē ar apstrādājamo priekšmetu.

Ja figūrzāģis ir aprīkots ar pielāgojamu zāģa asmens balsta rullīti vai svārsta iedarbību, pārliecinieties, ka tas ir atbilstoši noregulēts.

Ja figūrzāģis ir aprīkots ar mainīga ātruma vadību, izvēlieties darbam atbilstošu ātrumu. Ātrumu var mainīt motora darbības laikā. Nemainiet ātrumu zāģēšanas laikā.

Pārbaudiet, vai apstrādājamajā priekšmetā nav uz āru izvirzītu naglu, skrūvju galvu vai citu negludumu, kas varētu sabojāt asmeni.

Pārliecinieties, ka zem zāģējamā priekšmeta nav traucēkļu, kuros var netīšām iezāģēt, piemēram, stēķu vai sola virspuses.

Turiet ierīci pareizi un izvēlieties stabilu stāvokli. Pārliecinieties, ka tīkla kabelis atrodas drošā attālumā no ierīces un nevar aizķerties aiz citiem priekšmetiem, traucējot pabeigt zāģēšanu.

Darbam izmantojiet piemērotu asmeni un nomainiet asmeni, ja tas nolietojas; šādi var nodrošināt vieglu zāģēšanu un paildzināt ierīces mūžu. Nekad nemēģiniet pielāgot vai izmantot ierīci tādiem mērķiem, kuriem tā nav paredzēta.

Rūpējieties, lai zāģa pamatne ir ciešā saskarē ar priekšmetu, pirms sākat zāģēšanu.

Nav nepieciešamības pielietot spēku, ļaujiet figūrzāģim darboties. Spēka pielietošana samazina asmens mūžu, izdarot pārmērīgu spiedienu uz ierīci.

Pārliecinieties, ka zāģis nav saskarē ar zāģējamo priekšmetu, pirms to ieslēdzat.

Ļaujiet figūrzāģim pilnībā apstāties, pirms noņemat to no priekšmeta.

Nemēģiniet izzāgēt loku, kas ir pārāk šaurs, jo tas var radīt pārmērīgu spiedienu uz asmeni un salauzt to.

Rūpējieties par to, lai figūrāģis vienmēr ir tīrs no eļļas un taukiem.

Neizmantojiet kodīgus tīršanas līdzekļus plastmasas korpusa tīršanai.

Raugieties, lai korpusa ventilācijas caurumi vienmēr ir tīri, bez putekļiem un citiem aizsprostojumiem.

Pēc katras lietošanas reizes izsūciet putekļu savākšanas ierīci ar putekļusūcēju.

Obligāti jāizmanto acu aizsardzības līdzekļi.

Ūdens nedrīkst nonākt saskarē ar ierīci vai vadiem.

Neizmantojiet figūrāģi slapjai zāģēšanai, t. i., neiegremdējiet asmeni ūdenī. Radīsies nāvējošs elektriskās strāvas trieciens.

Izmantojot pagarinātājauklu, pilnībā izritiniet to (minimālais pagarinātājaukulas vada diametrs ir 1 mm2). Šaubu gadījumā konsultējieties ar kvalificētu elektriķi.

Nostipriniet priekšmetu uz piemērotas darba virsmas, kura ļauj izmantot elektroinstrumentu ar abām rokām.

Neizmantojiet zāģi tādu priekšmetu zāģēšanai, kuru izmērs ir lielāks par zāģa veikspēju.

Cieši satveriet instrumentu.

Nekādā gadījumā ar rokām nepieskarieties kustīgam asmenim.

Pirms zāģēšanas pārbaudiet, vai koka sienās un paneļos nav strāvas kabeļu.

Pēc zāģēšanas nepieskarieties zāģa asmenim, jo tas būs karsts.

Raugieties, lai figūrāģa vads ir drošā attālumā no asmens. Ja iespējams, nostipriniet to, pirms sākat zāģēt.

Neturiet rokas zem apstrādājamā priekšmeta.

### **VISPĀRĪGI DROŠĪBAS NOTEIKUMI**

**BRĪDINĀJUMS!** Izlasiet visas instrukcijas.

Ja visas turpmāk minētās instrukcijas netiek ievērotas, var rasties elektrošoks, uzliesmojums un/vai nopietni miesas bojājumi. Termins "elektroinstrumenti" visos turpmāk minētajos brīdinājumos attiecas uz jūsu elektrotīkla padeves (ar vadu) elektroinstrumentu vai akumulatora (bezvada) elektroinstrumentu.

### **SAGLABĀJIET ŠĪS INSTRUKCIJAS**

#### **1) DARBA VIETA**

a) Uzturiet darba vietu tīru un labi apgaismotu. Pārblīvētās un tumšās vietās rodas vairāk negadījumu.

b) Nedarbiniet elektroinstrumentu sprādzienbīstamā atmosfērā, piemēram, viegli uzliesmojošu šķidrums, gāzu vai putekļu klātbūtnē. Elektroinstrumenti rada dzirksteles, kas var aizdedzināt putekļus vai izgarojumus.

c) Darbinot elektroinstrumentu, turiet bērnus un skatītājus drošā attālumā. Uzmanības novēršana var radīt kontroles zaudēšanu.

#### **2) ELEKTRISKĀ DROŠĪBA**

a) Elektroinstrumenta spraudkontaktam ir jāatbilst kontaktligzdai. Neveiciet nekādus spraudkontakta pārveidojumus. Neizmantojiet ar iezemētu elektroinstrumentu nekādus adaptera spraudkontaktus. Nepārveidoti spraudkontakti un atbilstošas kontaktligzdas samazina elektrošoka risku.

b) Izvairieties no saskares ar iezemētām virsmām, piemēram, cauruļvadiem, radiatoriem, plītim un ledusskapjiem. Ja jūsu ķermenis ir iezemēts, pastāv paaugstināts elektrošoka risks.

c) Nepakļaujiet elektroinstrumentu lietum vai mitriem apstākļiem. Ja ūdens iekļūst elektroinstrumentā, paaugstinās elektrošoka risks.

d) Neveiciet nepareizas darbības ar vadu. Neizmantojiet vadu elektroinstrumenta nešanai, vilkšanai vai atvienošanai no kontaktligzdas. Turiet vadu drošā attālumā no karstuma, eļļas, asām malām vai kustīgām detaļām. Bojāti vai samezgloti vadi palielina elektrošoka risku.

e) Ja elektroinstrumentu izmanto ārtelpās, lietojiet ārtelpu lietošanai piemērotu pagarinātāju. Ja izmanto ārtelpu lietošanai piemērotu vadu, samazinās elektrošoka risks.

#### **3) PERSONĪGĀ DROŠĪBA**

a) Lietojot elektroinstrumentu, esiet piesardzīgi, kontrolējiet savu rīcību un pieņemiet saprātīgus lēmumus. Neizmantojiet elektroinstrumentu, ja esat piekusuši vai narkotiku, alkohola vai medikamentu iedarbībā. Neuzmanība, lietojot elektroinstrumentu, var radīt nopietnus miesas bojājumus.

b) Lietojiet drošības aprīkojumu. Vienmēr izmantojiet acu aizsargus. Ja piemērotos apstākļos izmanto tādu drošības aprīkojumu kā putekļu masku, neslīdošus aizsargapavus, ķiveri vai ausu aizsargus, tiek samazināts miesas bojājumu risks.

c) Novērsiet nejaušu ieslēgšanu. Pirms pieslēgšanas kontaktligzdai pārliedzieties, vai slēdzis ir izslēgtā stāvoklī. Ja elektroinstrumentu pārnēsā ar pirkstu uz slēdža vai pieslēdz kontaktligzdai, slēdzim esot ieslēgtā stāvoklī, paaugstinās negadījumu iespējamība.

d) Pirms elektroinstrumenta ieslēgšanas noņemiet jebkuru pielāgošanas atslēgu vai uzgriežņatslēgu. Ja uzgriežņatslēga vai pielāgošanas atslēga ir atstāta pie kādas instrumenta rotējošās daļas, var rasties miesas bojājumi.

e) Nesniedzieties pāri. Vienmēr ievērojiet stabilu un līdzsvarotu stāvokli. Līdz ar to negaidītās situācijās var labāk kontrolēt instrumentu.

f) Velciet piemērotu apģērbu. Nevelciet vaļīgu apģērbu vai juvelieru izstrādājumus. Turiet savus matus, apģērbu un cimds drošā attālumā no kustīgajām daļām. Vaļīgu apģērbu, juvelieru izstrādājumus vai garus matus var ieraut kustīgajās daļās.

g) Ja ierīces ir paredzētas pieslēgšanai putekļu ekstrakcijas un savākšanas ierīcēm, pārliecinieties, lai tās būtu pieslēgtas un pareizi izmantotas. Šo ierīču izmantošana var samazināt ar putekļiem saistītu bīstamību.

#### 4) ELEKTROINSTRUMENTA IZMANTOŠANA UN APKOPE

a) Darbojoties ar elektroierīci, nepielietojiet pārmērīgu spēku. Izmantojiet savām vajadzībām piemērotu elektroinstrumentu. Piemērotas klases elektroinstrumenti efektīvāk un drošāk paveiks darbu.

b) Neizmantojiet instrumentu, ja slēdzis to neieslēdz vai neizslēdz. Jebkurš elektroinstrumenti, ko nevar kontrolēt ar slēdzi, ir bīstams, un to nepieciešams remontēt.

c) Pirms jebkuru pielāgojumu veikšanas, piederumu maiņas vai instrumenta novietošanas glabāšanā atvienojiet spraudkontakta no strāvas avota. Šādi piesardzības pasākumi samazina instrumenta nejaušas ieslēgšanās risku.

d) Glabājiet tukšgaitas darbarīkus drošā attālumā no bērniem un neļaujiet personām, kuras nepārzina šo elektroinstrumentu vai šīs instrukcijas, to darbināt. Elektroinstrumenti neinstruētu personu rokās ir bīstami.

e) Veiciet elektroinstrumentu apkopi. Pārbaudiet, vai kustīgās daļas ir piemēroti centrētas un sastiprinātas, daļas nav bojātas vai jebkuru citu stāvokli, kas var ietekmēt elektroinstrumenta darbību. Ja tas ir bojāts, pirms izmantošanas nodrošiniet instrumenta remontu. Daudzi negadījumi rodas nepietiekamas instrumenta apkopes dēļ.

f) Griešanas darbarīkus uzturiet asus un tīrus. Piemēroti apkopti griešanas darbarīki ar asām griešanas malām retāk sapinas un ir vieglāk kontrolējami.

g) Lietojiet elektroinstrumentu, piederumus, daļas utt. saskaņā ar šīm instrukcijām un attiecīgā instrumenta tipa paredzēto lietojumu, ņemot vērā darba apstākļus un veicamā darba veidu. Ja

instrumentu izmanto neparedzētiem nolūkiem, var rasties bīstamas situācijas.

#### 5) APKOPE

a) Nodrošiniet, ka elektroinstrumenta apkopi veic kvalificēta persona, izmantojot tikai identiskas rezerves detaļas. Līdz ar to instrumenta drošība tiek uzturēta.

#### IZPAKOŠANA

**Uzmanību!** Šis iepakojums satur asus priekšmetus. Rīkojieties piesardzīgi, izpakojojot produktu! Izņemiet no iepakojuma iekārtu kopā ar komplektācijā iekļautajiem piederumiem. Rūpīgi pārbaudiet iekārtu, lai pārliecinātos, vai tā ir labā lietošanas stāvoklī un uzskaitiet visus lietošanas rokasgrāmatā norādītos piederumus. Pārliecinieties, vai ir nokomplektēti visi piederumi. Ja konstatējat, ka trūkst kādas detaļas, atgrieziet iekārtu un tās piederumus atpakaļ mazumtirgotājam oriģinālajā iepakojumā.

Neizmetiet iepakojuma materiālus, uzglabājiet tos drošā vietā visā garantijas laikā, bet pēc tās beigām, ja vien iespējams, nogādājiet tos uz otrreizējās pārstrādes punktu vai arī atbrīvojieties no tiem kādā citā veidā, kas noteikts ar likumu. Neļaujiet bērniem rotaļāties ar tukšiem plastmasas maisiņiem – pastāv nosmakšanas risks!

#### DETAĻAS UN VADĪBAS IERĪCES (1. ATT.)

1.	Mainīga ātruma skala
2.	Bloķēšanas slēdzis
3.	Rokturis
4.	Sešstūra atslēga
5.	Strāvas kabelis
6.	Putekļu savākšanas atvere
7.	Leņķu skala
8.	Zāģa balstplāksnes
9.	Asmens balsta rullītis
10.	Asmens
11.	Paralēlā šablona fiksācijas svira
12.	Asmens aizsargs
13.	Ātrās asmeņu nomaiņas svira
14.	Orbitālās kustības vadības poga
15.	Iesl./izsl. slēdzis

#### MONTĀŽA

Piezīme. Pirms veicat jebkādu ierīces montāžu vai demontāžu, nodrošiniet, lai ierīce nebūtu pievienota barošanas avotam.

## FIGŪRZĀGA ASMEŅU IEVIETOŠANA

Piemērota asmens izvēle ir nozīmīga optimālas zāga veiktspējas nodrošināšanai. Izvēlieties nepieciešamo asmeni, ņemot vērā tā izmantošanu un zāgējamā priekšmeta materiālu. Piemērota asmens izvēle ļaus laidenāk un ātrāk zāgēt, kā arī pagarinās asmens mūžu.

Bezinstrumentu asmeņu nomaiņas sistēma nodrošina to, ka asmeņu nomaiņai nav nepieciešami instrumenti.

Piezīme. Pirms asmens ievietošanas, pārlicinieties, vai ierīce nav pievienota barošanas avotam.

Paceliet ātrās asmens nomaiņas sviru, līdz tā apstājas (2. att.).

Turot augšā asmens stiprinājuma sviru, ievietojiet zāga asmeni pēc iespējas dziļāk zāga gropē (3. att.).

Pārbaudiet, vai zāga asmens atrodas balsta rullīša gropes centrā.

Atlaidiet asmeņu nomaiņas sviru. Pārlicinieties, ka asmens ir nostiprināts vietā.

Piezīme. Lietošanas laikā periodiski pārbaudiet, vai asmens ir nostiprināts.

## FIGŪRZĀGA IESLĒGŠANA UN IZSLĒGŠANA

Lai ieslēgtu figūrzāģi, nospiediet iesl./izsl. slēdzi. (4. att.).

Atlaidiet iesl./izsl. slēdzi, lai izslēgtu figūrzāģi.

## BLOKĒŠANAS SLĒDZIS

Figūrzāģis ir aprīkots ar nepārtrauktas darbības pogu, kas ir ērti lietojama, ja nepieciešams strādāt ar ierīci ilgstoši. Lai ieslēgtu šo režīmu, nospiediet iesl./izsl. slēdzi, nospiediet un turiet nepārtrauktas darbības pogu (5. att.) un atlaidiet iesl./izsl. slēdzi.

Atlaidiet nepārtrauktas darbības pogu, un figūrzāģis turpinās darboties.

Lai izslēgtu nepārtrauktas darbības režīmu, nospiediet un atlaidiet iesl./izsl. slēdzi.

Ja darbojaties ar ieslēgtu nepārtrauktas darbības režīmu un zāģis tiek atvienots no elektroapgādes, nekavējoties izslēdziet nepārtrauktas darbības pogu.

Brīdinājums. Pirms figūrzāga pievienošanas elektroapgādei vienmēr pārlicinieties, ka nepārtrauktas darbības poga nav ieslēgta (nospiediet un atlaidiet iesl./izsl. slēdzi). Pretējā gadījumā zāģis var nejauši ieslēgties un var rasties smagi ievainojumi. Neizmantojiet nepārtrauktas darbības slēdzi, veicot darbus, kuros var būt nepieciešamība pēkšņi apstādināt figūrzāģi.

## MAINĪGA ĀTRUMA VADĪBA

Ar mainīga ātruma vadības funkciju var palielināt figūrzāga darbības ātrumu, pagriežot rotējošo skalu no 1 (lēns) līdz 6 (ātrs). Skala ir ērti novietota figūrzāga augšā, un ar to var regulēt asmens zāģēšanas ātrumu (6. att.).

Lai palielinātu ātrumu: pagrieziet mainīga ātruma skalu uz augstāku pārnēsumu.

Lai samazinātu ātrumu: pagrieziet mainīga ātruma skalu uz zemāku pārnēsumu.

Izvairieties no ilgas figūrzāga darbināšanas ar mazu ātrumu. Ilgstoši darbinot zāģi ar mazu ātrumu, tas var pārkarst. Ja figūrzāģis pārkarst, ļaujiet tam atdzist, darbinot to ar maksimālo ātrumu un bez noslodzes.

Šos norādījumus var izmantot, lai izvēlētos dažādiem darbības veidiem atbilstošu darbības ātrumu.

Mazs ātrums ir piemērots darbiem, kuriem nav nepieciešams liels zāģēšanas ātrums un jauda, piemēram, sākot zāģēšanu.

Vidējs ātrums ir piemērots cietu materiālu, plastmasas un lamināta zāģēšanai.

LIELS ātrums sniedz labākos rezultātus, ja nepieciešama maksimāla jauda, piemēram, kokmateriālu, zāģēšanai. Liels ātrums var būt nepieciešams mīkstu materiālu, piemēram, alumīnija, misiņa un vara, griešanai.

## ORBITĀLĀ KUSTĪBA

Figūrzāga asmens zāģē, veicot orbitālas kustības. Šis zāga režīms ir pielāgojams un padara zāģēšanu efektīvāku.

Ar orbitālu kustību palīdzību zāģis griež priekšmeta virsmu, kustoties no lejas uz augšu, nevis ķeras, kustoties no augšas uz leju. Asmens jānoregulē augstākā pozīcijā, ja nepieciešams ātri zāģēt mīkstu materiālu. Asmens jānoregulē zemākā pozīcijā, ja nepieciešams zāģēt materiālus ar lielāku pretestību. Režīms „0” paredzēts orbitālās kustības izslēgšanai. Režīms „3” paredzēts maksimālu orbitālo kustību ieslēgšanai (7. att.).

## PRIEKŠMETA ZĀĢĒŠANA LEŅĶĪ (SLĪPINĀTA PRIEKŠMETA ZĀĢĒŠANA)

Lai slīpinātu priekšmetu zāģēšanai kādā no iepriekš noteiktajiem leņķiem (15°, 30°, 45°), veiciet norādītās darbības.

Izmantojot sešstūra stienatslēgu, atskrūvējiet divas sešstūra skrūves (8. att.), kuras atrodas ierīces apakšpusē.

Nedaudz paceliet pamatu, līdz to var pagriezt kādā no iepriekš noteiktajiem leņķiem, kuri atzīmēti uz leņķu skalas (9. att.). Visbeidzot pievelciet sešstūra skrūves.

## METĀLA ZĀĢĒŠANA

PIEZĪME. Lai zāģētu metālu un caurules, figūrzāga orbitālās kustības režīmam jābūt izslēgtam. Pagrieziet orbitālās kustības pogu uz pozīciju „0” (10. att.).

Zāģējot metālus, jāizmanto piemērota atdzesēšanas un griešanas eļļa. Lai samazinātu asmens nolietošanos zāģēšanas laikā, vienkārši uzmērējiet eļļu regulāros attālumos uz asmens vai apstrādājamā priekšmeta.

**PIEZĪME.** Nemērcējiet figūrziņā asmeni ūdenī un rūpējieties, lai atdzesēšanas eļļa neiekļūst zem apvalka. Var rasties nāvējošs elektriskās strāvas trieciens.

Zāģējot caurules, cauruļvadus vai leņķprofilus, ja iespējams, nostipriniet tos skrūvspīlēs un zāģējiet tuvu stiprinājuma vietai. Lai grieztu plānus lokšņveida materiālus, ievietojiet zāģējamo lokšni starp kokšķiedru plātnēm vai saplākšņiem un nostipriniet slāņus, lai novērstu vibrāciju un materiālu sabojāšanu. Pēc šo darbību veikšanas zāģējums būs līdzens. Uzlieciet šablonu vai uzzīmējiet zāģējuma līniju uz virsējās plātnes.

Piezīme. Zāģējot metālu, rūpējieties, lai redzamā zāģa daļa būtu tīra un tajā nebūtu metāla skaidu, bieži noslaukot to ar eļļainu lupatiņu. Lai izvairītos no ugunsgrēka riska, esiet īpaši piesardzīgi, rīkojoties ar eļļaino lupatiņu pēc darbu pabeigšanas.

### APĻU ZĀĢĒŠANA

Sākot zāģēt no priekšmeta vidus, izurbiet caurumu ar diametru 12 mm, lai nodrošinātu, ka asmenim ir pietiekami daudz vietas.

### PADOMS

Zāģējot materiālus, kuriem ir dekoratīva vai pulēta virsma, aplīmējiet figūrziņā pamatni vai zāģējamā priekšmeta virsmu ar maskēšanas lenti vai citu piemērotu lenti, lai izvairītos no skrāpējumiem.

### TEHNISKĀ APKOPE

Brīdinājums. Lai izvairītos no negadījumiem, pirms tīrīšanas un jebkādas apkopes veikšanas atvienojiet instrumentu no elektroapgādes.

Šim elektroinstrumentam parasti nav nepieciešama apkope, bet laiku pa laikam jāiztīra ventilācijas sprauga uz motora korpusa. Ja iekārtā rodas bojājumi, remontdarbus veic autorizēts elektroinstrumentu apkalpošanas dienesta darbinieks.

Instrumentu vislabāk tīrīt ar saspiegtu sauso gaisu. Tīrot instrumentus ar saspiegtu gaisu, vienmēr izmantojiet aizsargbrilles.

Ventilācijas spraugām un svirpārslēdzīem jābūt tīriem un bez svešķermeņiem. Nemēģiniet tīrīt ierīci, ievietojot atverēs smailus priekšmetus.

Tīrot plastmasas detaļas, neizmantojiet šķīdinātājus. Vairums plastmasas izstrādājumu var tikt sabojāti, izmantojot dažādus komerciālos šķīdinātājus. Noņemiet netīrumus, putekļus, taukus, eļļu u. tml., izmantojot tīras lupatiņas.

**BRĪDINĀJUMS!** Nekādā gadījumā neļaujiet bremžu šķidrums, benzīnam, naftas produktiem, piesūcināšanas eļļām u. tml. vielām nonākt saskarē ar plastmasas daļām. Ķīmiskās vielas var radīt bojājumus, kā arī mazināt plastmasas daļas izturību vai iznīcināt tās, radot smagas ķermeņa traumas.

Stikla šķiedrai, apmetumam vai ģipša maisījumam izmantotie elektriskie instrumenti var veicināt nolietojumu un pārargus darbības traucējumus, jo

stikla šķiedras skaidas un slīpējumi ir ļoti abrazīvi pret gultņiem, sukām, kolektoriem utt. Līdz ar to neiesakām izmantot attiecīgo instrumentu ilgstošā darbā ar šādiem materiāliem. Ja jūs tomēr strādājat ar kādu no šiem materiāliem, ir ļoti svarīgi iztīrīt instrumentu, izmantojot saspiegtu gaisu.

### EĻĻOŠANA

Visi šī instrumenta gultņi ir ieeļļoti, izmantojot pienācīgu augstvērtīgas smērvielas daudzumu, ar kuru pietiek visu ierīces darbmūžu, lietojot ierīci normālos darbības apstākļos. Tāpēc nav nepieciešama papildu eļļošana.

### TEHNISKĀ SPECIFIKĀCIJA

Spriegums	230 V–50 Hz
Motors	480 W
Ātrums bez noslodzes	800–3000 min. <sup>-1</sup>
Maks. zāģēšanas dziļums kokā	65 mm
Maks. zāģēšanas dziļums tēraudā	6 mm
Zāģēšanas leņķi	0°/15°/30°/45°
Skaņas spiediena līmenis:	L <sub>pA</sub> 87 dB(A) K=3dB(A)
Skaņas jaudas līmenis:	L <sub>WA</sub> 98 dB(A) K=3dB(A)
Vibrāciju līmenis:	a <sub>h,B</sub> =8,571 m/s <sup>2</sup> , K=1.5 m/s <sup>2</sup>  a <sub>h,M</sub> =6,834 m/s <sup>2</sup> , K=1,5 m/s <sup>2</sup>

## APZĪMĒJUMI

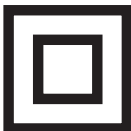
Jūsu instrumentam uz datu plāksnītes var būt dažādi apzīmējumi. Tie norāda svarīgu informāciju par ierīci vai tās lietošanas instrukciju.



Valkāt dzirdes aizsardzības līdzekļus.  
Valkāt acu aizsardzības līdzekļus.  
Valkāt elpošanas orgānu aizsardzības līdzekļus.



Atbilst attiecīgajiem drošības standartiem.



Dubulta izolācija papildus aizsardzībai.



Izlasiet lietošanas rokasgrāmatu



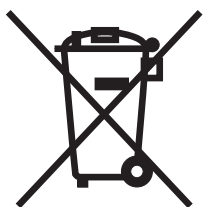
Elektrisko izstrādājumu atkritumus nedrīkst izmest kopā ar sadzīves atkritumiem. Ja ir iespējams, lūdzu, pārstrādājiet tos! Sazinieties ar savu vietējo iestādi vai mazumtirgotāju, kas Jums sniegs padomu par atkritumu pārstrādi.



Izstrādājums atbilst RoHS prasībām

## VIDES AIZSARDZĪBA

Informācija par (privāto mājsaimniecību) videi nekaitīgu Elektrisko un elektronisko iekārtu atkritumu (WEEE) utilizāciju



Šis simbols uz produktiem un/vai saistītajiem dokumentiem norāda, ka nolietotas elektriskās un elektroniskās iekārtas nedrīkst utilizēt kopā ar sadzīves atkritumiem. Lai pareizi utilizētu, apstrādātu, atjaunotu un otrreizēji pārstrādātu, nogādājiet šos produktus piemērotos savākšanas centros, kur tos pieņem bez maksas. Dažās valstīs, iegādājoties līdzvērtīgu jauno produktu, vecos var atdot atpakaļ arī savam mazumtirgotājam. Ja šo produktu pareizi utilizē, tiek aizsargāti vērtīgi resursi un novērsta iespējama nelabvēlīga iedarbība uz cilvēku veselību un apkārtējo vidi, kas rodas, atkritumus nepareizi utilizējot un apstrādājot. Papildu informācijai par tuvākajiem savākšanas centriem sazinieties ar savu vietējo iestādi. Par nepareizu atkritumu utilizēšanu soda naudas tiek piemērotas saskaņā ar valsts likumdošanu.

## UZŅĒMUMIEM EIROPAS SAVIENĪBĀ

Ja vēlaties utilizēt elektriskās un elektroniskās iekārtas, papildu informācijai sazinieties ar savu izplatītāju vai piegādātāju.

### Informācija par utilizāciju citās valstīs ārpus Eiropas Savienības

Šis simbols ir derīgs tikai Eiropas Savienībā.

Ja vēlaties utilizēt šo produktu, sazinieties ar savu vietējo iestādi vai izplatītāju un noskaidrojiet piemērotu utilizācijas veidu.

**SVARBU**

Šis gaminys turi elektinį plombuotą kištuką tinkantį prietaisui ir jūsų šalies maitinimo srovei, bei atitinka tarptautinių normatyvų reikalavimus.

Šis įrenginys turi būti prijungtas prie maitinimo įtampos, kuri yra lygi nurodytajai ant techninės lentelės. Jei kištukas ar maitinimo laidas yra pažeisti turi būti pakeisti detalėmis, identiškomis originaliosioms.

Visada laikykitės savo šalies nutarimų dėl prijungimo prie elektros maitinimo tinklo.

Tuo atveju kai dvejojate, visada kreikitės į kvalifikuotą elektriką.

**IŽANGA**

Dėkojame, kad įsigijote mūsų produktą. Šio produkto kokybė patikrinta naudojant mūsų specialią produktų kokybės užtikrinimo programą. Mes pasirūpinote, kad šis produktas jus pasiektų puikios būklės.

**SVARBIAUSIA – SAUGUMAS**

Prieš pradėdant naudotis šiuo elektros prietaisu visuomet laikykitės toliau išvardintų esminių saugos taisyklių, taip iš esmės sumažinsite gaisro, elektros smūgio ar kitų avarinių situacijų riziką. Būtina pilnai perskaityti naudojimo instrukcijas ir suprasti šio prietaiso paskirtį, naudojimo sąlygas ir jo keliamus pavojus.

**GARANTINIS LIUDIJIMAS**

Šiam produktui suteikiama 2 metų garantija, skaičiuojama nuo produkto įsigijimo datos ir taikoma tik pirminiam produkto savininkui. Ši garantija galioja tais atvejais, kai garantinio laikotarpio metu prietaisas sugenda dėl defektinių medžiagų ar gamybinio broko, garantija netaikoma greitai besidėvinčioms dalims. Gamintojas pasirinktinai sutaisys arba pakeis produktą, jei nebus pažeista nei viena iš toliau išvardintų sąlygų. Produktas buvo naudojamas laikantis produkto instrukcijose pateiktų nurodymų, nebuvo naudojamas kitais nei instrukcijose numatyta tikslais. Produktas nebuvo ardomas, modifikuotas, prižiūrėtas/remontuotas neįgaliojusių tai daryti asmenų ir nebuvo nuomojamas. Garantija taip pat netaikoma pažeidimams atsiradusiems produkto transportavimo metu, už tokius pažeidimus atsako transportavimo kompanija. Garantiniai skundai turi būti pateikiami nedelsiant aptikus produkto defektą, kreipiantis tiesiogiai į produktą pardavusį platintoją, nesibaigus garantiniam laikotarpiui. Tik išskirtiniais atvejais produktas gali būti grąžinamas tiesiai gamintojui. Tokiais atvejais produkto savininkas turi pasirūpinti produkto grąžinimu, tinkamu jo įpakavimu apsaugant produktą nuo kitų pažeidimų, pateikiant trumpą defekto aprašymą bei pirkimo čekio kopiją ar kitą produkto įsigijimo įrodymą. Gamintojas negali būti atsakingas už bet kokius specialius, išskirtinius, tiesioginius, netiesioginius, atsitiktinius ar kitokius nuostolius ar žalą, susijusiais su šia garantija. Ši garantija yra priedas prie vartotojo teisių, kurios aprašytos 1973 metais prekių pardavimo rezoliucijoje, papildytoje 1975 ir 1999 metais, ir niekaip kitaip jų neįtakoja.

**ĮSTATYMINĖS TEISĖS**

Ši garantija papildo ir niekaip kitaip neįtakoja jūsų įstatymais numatytų teisių.

**PRODUKTO UTILIZACIJA**

Kai produktas nebetinkamas eksploatacijai arba yra išmetamas dėl kitų priežasčių, jo negalima išmesti kartu su būtinėmis atliekomis. Siekiant išsaugoti natūralius resursus ir sumažinti neigiamą įtaką aplinkai, prašome jūsų pasirūpinti, kad produktas būtų perdirbamas arba utilizuojamas aplinkai saugiu būdu. Produktą reikia pristatyti į vietinį atliekų perdirbimo centrą ar kitą įgaliojimą turintį atliekų surinkimo ir utilizavimo punktą.

Jei kiltų kokių nors neaiškumų, pasikonsultuokite su vietiniais atliekų tvarkymo specialistais dėl galimų tokio produkto perdirbimo ir (arba) utilizavimo būdų.

**SPECIALŪS SAUGOS NURODYMAI**

**ĮSPĖJIMAS!** Kai kurie medienos gaminiai, ypač medienos pluošto plokštės (MDF), šlifuojant gali labai dulkėti ir šios dulkės gali kenkti sveikatai. Rekomenduojame eksploatuojant šį įrankį naudoti dulkių nusiurbimo įrenginį ir dėvėti apbruotą veido kaukę su keičiamaisiais filtrais.

Nebandykite įjungti įrankio, kai jo geležtė priglausta prie darbinio paviršiaus.

Jeigu siaurapjūklėje yra reguliuojamasis ritininis geležtės kreiptuvas ar švytuoklinio pjovimo funkcija, jie turi būti tinkamai nustatyti.

Jeigu siaurapjūklis yra su greičio regulatoriumi, pasirinkite darbui tinkamą pjovimo greitį. Greitį galima keisti dirbant varikliui. Pjaudami greičio nekeiskite.

Patikrinkite, ar apdorojamoje medžiagoje nėra išsikūšusių vinių, varžtų galvučių ar kitų kliūčių, kurios galėtų sugadinti geležtę.

Patikrinkite, ar po apdorojama medžiaga nėra jokių kliūčių, ir saugokite, kad neįpjautumėte į darbastalį.

Įrankį laikykite taisyklingai, stovėkite stabiliai. Maitinimo laidą atitraukite toliau nuo įrankio, kad jis nepakliūtų po įrankiu, neįsipauiotų kituose daiktuose ir netrukdytų pjauti.

Pjaudami naudokite tinkamą geležtę ir pakeiskite ją, kai tik atšips; tada pjauti bus lengviau ir pailgės įrankio eksploatavimo trukmė. Niekada nebandykite įrankio pritaikyti ir naudoti kitiems tikslams, nei jis skirtas.

Prieš pradėdami pjauti visada įsitikinkite, kad pagrindo plokštė tvirtai remiasi į apdorojamą medžiagą.

Įrankio nespauskite jėga – siaurapjūklis turi pats atlikti savo darbą. Pernelyg stipriai spausdami siaurapjūklį, greičiau atšipinsite geležtę.



Prieš įrankį įjungdami įsitikinkite, kad jis nesiliečia su apdorojama medžiaga.

Prieš atitraukdami siaurapjūklį nuo apdorojamos medžiagos, leiskite jam visiškai sustoti.

Nebandykite staigiai keisti pjovimo krypties, nes geležtė pernelyg įsitemps ir gali sulūžti.

Įrankis visada turi būti sausas, švarus ir neišteptas tepalu ar alyva.

Plastikinio korpuso nevalykite esdinančiomis valymo priemonėmis.

Variklio vėdinimo angos korpuse visada turi būti švarios ir neužkimštos.

Po kiekvieno naudojimo dulkių siurbliu išsiurbkite dulkių surinkimo bloką.

Visada naudokite akių apsaugos priemones.

Įrankį ir jo laidus reikia saugoti nuo vandens.

Nepjaukite siaurapjūkliu drėgnuoju būdu, t. y. nemerkite geležtės į vandenį. Galite patirti mirtiną elektros smūgį.

Kai naudojate ilginamąjį kabelį, iki galo jį išvyniokite (minimalus kabelio skerspjūvis turi būti 1 mm<sup>2</sup>). Jeigu abejojate, pasitarkite su kvalifikuotu elektriku.

Apdorojamą medžiagą įtvirtinkite tinkamais spaustuvais, kad galėtumėte valdyti elektrinį įrankį abiem rankomis.

Nebandykite pjauti apdorojamos medžiagos, kurios storis viršija pjūklo galią.

Įrankį tvirtai suimkite.

Niekada ranka nelieskite judančios geležtės.

Prieš pjaudami medinėse sienose ar sieninėse plokštėse patikrinkite, kur išvedžioti elektros instaliacijos laidai.

Tuoj po pjūklo išjungimo geležtės nelieskite, nes ji bus labai įkaitusi.

Laikykite siaurapjūklį laidą toliau nuo geležtės. Jei įmanoma, įtvirtinkite prieš pradėdami pjauti.

Nelaikykite rankų po apdorojama medžiaga.

**BENDROSIOS SAUGAUS DARBO TAISYKLĖS**  
**DĖMESIO!** Perskaitykite pilnai visas instrukcijas.

Jei nesilaikysite žemiau pateiktų nurodymų, gali sukelti elektros smūgio, gaisro ir (arba) rimtų sužeidimų pavojų. Visuose toliau pateikiamuose įspėjimuose naudojamas terminas „elektros prietaisas“, nurodo jūsų prietaisą jungiamą prie elektros maitinimo tinklo (laidinis) arba prietaisą, kuris maitinamas elektros akumuliatoriaus (belaidis).

## **IŠSAUGOKITE ŠIAS INSTRUKCIJAS**

### **1) DARBO ZONA**

- a) Palaikykite darbo zonoje švarą ir užtikrinkite tinkamą apšvietimą. Betvarkę, ar šviesos trūkumas sukelia avarines situacijas.
- b) Nenaudokite elektros prietaiso sprogiuose aplinkose, pavyzdžiui patalpose, kuriose laikomi degus skysčiai, dujos ar dulkės. Elektros prietaisai sukelia kibirkštis, kurios gali sukelti tokių medžiagų degimą.
- c) Užtikrinkite, kad dirbant su elektros prietaisu, šalia nebūtų vaikų ir kitų pašalinių. Dėmesio nukreipimas gali sukelti avarines situacijas.

### **2) ELEKTROSAUGA**

- a) Elektros prietaiso kištukas turi atitikti elektros tinklo lizdą. Jokiais atvejais nemodifikuokite elektros kištuko. Naudodami elektros prietaisą su įžeminimą užtikrinančiu kištuku, nenaudokite jokių adapterių. Nemodifikuoti kištukai ir tinkami elektros tinklo lizdai sumažins elektros smūgio riziką.
- b) Venkite kūno kontakto su įžemintais paviršiais, tokiais kaip vamzdžiai, radiatoriai, šaldytuvai ir kt. Jei jūsų kūnas liesis su įžemintais paviršiais, padidės elektros smūgio pavojus.
- c) Nenaudokite elektros prietaiso lietuje ar šlapioje aplinkoje. Vanduo patekęs į elektros prietaisą padidins elektros smūgio pavojų.
- d) Nenaudokite elektros laido netinkamai. Niekuomet neneškite, netraukite ir neišjunginėkite elektros prietaiso iš elektros tinklo laikydami už elektros laido. Saugokite elektros laidą nuo kaitros, alyvos, aštrių briaunų ar judančių dalių. Pažeisti ar susiraizgę laidai sukelia elektros smūgio pavojų.
- e) Dirbdami su elektros prietaisu lauko sąlygomis, naudokite tik lauko sąlygoms pritaikytą prailginimo laidą. Laido, tinkamo naudojimui lauko sąlygomis, naudojimas sumažina elektros smūgio pavojų.

### **3) ASMENINĖ SAUGA**

- a) Dirbdami su elektros prietaisu visuomet būkite budrus, stebėkite ką darote ir vadovaukitės sveiku protu. Nenaudokite elektros prietaiso jei esate pavargęs arba paveiktas vaistų, alkoholio ar narkotinių medžiagų. Akimirksniui į šalį nukreiptas dėmesys gali sukelti rimtų sužeidimų.
- b) Naudokitės apsauginėmis priemonėmis. Visuomet dėvėkite akių apsaugą. Apsaugos priemonės, tokios kaip nuo dulkių apsaugančios kaukės, neslystantys batai, pakietinta kepurė ar šalmas, ausų apsauga, tam tikromis situacijomis apsaugos jus nuo sužeidimų.

- c) Užtikrinkite, kad prietaisas negalėtų įsijungti per klaidą. Prieš jungiant prietaisą prie elektros tinklo įsitikinkite, kad jungiklis yra išjungtas. Nešiodami elektros prietaisą su pirštu padėtu ant jungiklio arba prietaiso jungimas prie elektros tinklo, kai jungiklis yra įjungtas, gali sukelti pavojingas situacijas.
- d) Prieš įjungiant elektros prietaisą, pašalinkite bet kokį reguliavimo raktą ar kitą įrankį. Raktas ar kitas įrankis pridėtas prie besisukančių elektros prietaiso dalių, gali sukelti rimtų sužeidimų.
- e) Išlaikykite stabilią stovėseną. Darbo su elektros prietaisu metu visą laiką išlaikykite stabilią pozą ir balansą. Taip netikėtose situacijose geriau suvaldysite elektros prietaisą.
- f) Tinkamai apsirenkite. Nedėvėkite laisvų drabužių ar papuošalų. Saugokite, kad šalia judančių dalių nepakliūtų plaukai, drabužiai ar pirštinės. Laisvi drabužiai, papuošalai ar ilgi plaukai gali pakliūti ir užstrigti tarp judančių dalių.
- g) Jei tiekiami dulkių surinkimo ir pašalinimo įrangą, būtinai ją pajunkite ir tinkamai naudokite. Šios įrangos naudojimas iš esmės sumažins dulkių keliamus pavojus.

#### 4) ELEKTROS PRIETAISO NAUDOJIMAS IR PRIEŽIŪRA

- a) Nespauskite elektros prietaiso per stipriai. Pasirinkite tinkamą elektros prietaisą darbui atlikti. Su tinkamai parinktu elektros prietaisu ir dirbdami jam numatytu greičiu, darbą atliksite geriau ir saugiau.
- b) Nenaudokite prietaiso jei jungiklis neįsijungia arba neišsijungia. Bet kuris elektros prietaisas, kurio negalima valdyti jungikliu, kelia pavojų ir prieš naudojimą turi būti pataisytas.
- c) Prieš atliekant bet kokius elektros prietaiso reguliavimo ar priedų keitimo veiksmus ar paliekant elektros prietaisą darbo pabaigoje, visuomet atjunkite jį nuo elektros maitinimo tinklo. Tokie prevenciniai veiksmai sumažins atsitiktinio elektros prietaiso įsijungimo tikimybę.
- d) Elektros prietaisus laikykite vaikams nepasiekiamose vietose ir neleiskite asmenims, kurie nėra susipažinę su elektros prietaiso naudojimo taisyklėmis, naudotis prietaisu. Elektros prietaisai, naudojami nekvalifikuotų asmenų, kelia rimtą pavojų.
- e) Prižiūrėkite elektros prietaisus. Tikrinkite, ar elektros prietaisas nėra išsibalansavęs, ar nestringa prietaiso judančios dalys, ar nėra prietaiso ar jo dalių pažeidimų ir bet kokių kitokių situacijų, kurios gali paveikti elektros prietaiso darbą. Jei elektros prietaisas pažeistas, perduokite jį remontui. Didelę nelaimingų atsitikimų dalį sukelia netinkamai prižiūrimi elektros prietaisai.

- f) Užtikrinkite, kad priedai skirti pjovimui visuomet būtų aštrūs ir švarūs. Tinkamai prižiūrimi pjovimo įrankiai, aštriomis briaunomis, rečiau stringa ir yra žymiai lengviau valdomi.
- g) Elektros prietaisą, priedus ir įrankius naudokite tik laikydamiesi šiose instrukcijose pateiktų nurodymų ir įvertinant naudojamo elektros prietaiso tipą, darbinės sąlygas bei darbą, kurį reikia atlikti. Elektros prietaiso naudojimas užduotims, kurios nėra numatytos, gali sukelti pavojų.

#### 5) APTARNAVIMAS

- a) Elektros prietaiso priežiūrą ir remontą patikėkite tik kvalifikuotiems specialistams, dalių pakeitimui naudokite tik identišką dalis. Taip užtikrinsite elektros prietaiso saugumą.

#### IŠPAKAVIMAS

**Atsargiai!** Pakuotėje yra aštrių daiktų. Išpakuodami būkite atsargūs. Išimkite iš pakuotės įrankį ir visus įdėtus priedus. Atidžiai patikrinkite ir įsitikinkite, kad įrankis geros būklės ir yra visi šioje instrukcijoje išvardyti priedai. Taip pat įsitikinkite, kad visi priedai tinkamai sukomplektuoti. Jeigu kurios nors dalies trūksta, įrankis kartu su visais priedais turi būti grąžintas originalioje pakuotėje pardavėjui.

Neišmeskite pakuotės, laikykite ją saugiai visą garantinio laikotarpio trukmę, o tada, jei įmanoma, atiduokite perdirbti arba kitaip tinkamai išmeskite. Neleiskite vaikams žaisti su tuščiais plastikiniais maišeliais, nes kyla pavojus uždusti.

#### SUDEDAMOSIOS DALYS IR VALDYMO ĮTAISAI (1 PAV.)

1.	Greičio reguliatorius
2.	Fiksavimo mygtukas
3.	Rankena
4.	Šešiakampis raktas
5.	Maitinimo laidas
6.	Dulkių išsiurbimo anga
7.	Kampų skalė
8.	Pjūklo pagrindo plokštė
9.	Geležtės ritinėlio atrama
10.	Geležtė
11.	Lygiagrečiojo kreiptuvo fiksavimo rankenėlė
12.	Geležtės apsauga
13.	Geležtės greitojo keitimo spaustuko svirtelė
14.	Ekscentrinio judėjimo reguliatoriaus rankenėlė
15.	Įjungimo ir išjungimo jungiklis

## **SURINKIMAS**

Pastaba: prieš pradėdami įrankio surinkimo ar išardymo darbus įsitikinkite, kad jis atjungtas nuo maitinimo įtampos.

## **SIAURAPJŪKLIO GELEŽČIŲ TVIRTINIMAS**

Kad pjūklas kuo geriau pajautų, svarbu pasirinkti tinkamos rūšies geležtę. Geležtę rinkitės pagal darbo pobūdį ir pjaunamą medžiagą. Pasirinkę tinkamą geležtę, medžiagą perpjausite greičiau, lygiau ir pailginsite geležtės tinkamumo naudoti trukmę.

Geležtė tvirtinama ir keičiama be įrankių.

Pastaba: prieš tvirtindami geležtę įsitikinkite, kad įrankis nėra prijungtas prie maitinimo įtampos.

Iki galo pakelkite geležtės greitojo keitimo spaustuko svirtelę (2 pav.).

Laikydami svirtelę pakeltą, įkiškite geležtę kiek įmanoma giliau į pjūklo korpuso plyšį (3 pav.).

Patikrinkite, ar pjūklo geležtės nugarėlė įdėta į ritininio kreiptuvo griovelio centrą.

Atleiskite geležtės spaustuko svirtelę. Patikrinkite, ar geležtė tvirtai įdėta į savo vietą.

Pastaba: dirbdami reguliariai tikrinkite, ar geležtė neatsipalaidavo.

## **SIAURAPJŪKLIO ĮJUNGIMAS IR IŠJUNGIMAS**

Kai siaurapjūklį norite įjungti, paspauskite įjungimo ir išjungimo jungiklį (4 pav.).

Kai siaurapjūklį norite išjungti, įjungimo ir išjungimo jungiklį atleiskite.

## **FIKSAVIMO MYGTUKAS**

Siaurapjūklyje įtaisytas fiksavimo (nuolatinio veikimo) mygtukas, kurį patogiu naudoti tuo atveju, kai reikia ilgą laiką pjauti be perstojo. Norėdami jį užfiksuoti, paspauskite įjungimo ir išjungimo jungiklį, po to, nuspaudę ir laikydami nuspaustą fiksavimo mygtuką (5 pav.), jungiklį atleiskite.

Atleiskite fiksavimo mygtuką ir jūsų siaurapjūklis veiks toliau.

Norėdami fiksatorių išjungti, paspauskite ir atleiskite įjungimo ir išjungimo jungiklį.

Jeigu dirbate įjungę nuolatinio veikimo mygtuką, o jūsų pjūklas atjungiamas nuo maitinimo įtampos, iškart išjunkite fiksatorių.

Įspėjimas! Prieš prijungdami siaurapjūklį prie maitinimo įtampos visada patikrinkite, kad nuolatinio veikimo mygtukas nebūtų fiksuotoje padėtyje (paspauskite ir vėl atleiskite įjungimo ir išjungimo jungiklį). Priešingu atveju įrankis gali atsitiktinai įsijungti ir sunkiai sužaloti. Be to, nuolatinio veikimo mygtuko nefiksuokite tais atvejais, kai siaurapjūklį gali tekti staigiai išjungti.

## **GREIČIO REGULIATORIUS**

Greičio reguliatoriaus ratuku siaurapjūklio pjovimo greitį galima reguliuoti nuo 1 (mažas greitis) iki 6

(didelis greitis) padėties. Ratukas patogiai įtaisytas ant siaurapjūklio viršaus, todėl dirbantysis gali keisti geležtės judėjimo greitį (6 pav.).

Jei norite greitį padidinti: pasukite greičio reguliatorių ir nustatykite didesnio skaičiaus padalą.

Jei norite greitį sumažinti: pasukite greičio reguliatorių ir nustatykite mažesnio skaičiaus padalą.

Siaurapjūkliu ilgą laiką nedirbkite nustatę mažą pjovimo greitį. Nuolat pjaunant mažu greičiu, siaurapjūklis gali įkaisti. Jeigu taip atsitinka, pjūklą atvėsinkite, paleisdami jį visu greičiu be apkrovos.

Toliau pateikiamos rekomendacijos, kaip pasirinkti tinkamą greitį įvairiems darbams:

Mažas greitis geriausiai tinka, kai pakanka minimalaus greičio ir galios, pavyzdžiui, pradedant pjauti.

Vidutinis greitis tinka pjaunant kietą metalą, plastiką ir laminatą.

Naudojant DIDELĮ greitį, geriausi rezultatai pasiekiami, kai reikia maksimalios galios, pavyzdžiui, pjaunant medį. Be to, didelio greičio gali prireikti pjaunant minkštą metalą, pvz., aliuminį, žalvarį ir varį.

## **EKSCENTRINIS JUDĖJIMAS**

Siaurapjūklio geležtė pjauna judėdama ekscentriškai. Šis judėjimas reguliuojamas, kad būtų galima pjauti greičiau ir efektyviau.

Ekscentriškai judanti geležtė apdorojamą medžiagą pjauna judėdama aukštyn, tačiau jos neliečia judėdama žemyn. Didesnį greitį reikia naudoti, jei norite greitai perpjauti minkštą medžiagą. Mažesnis greitis rekomenduojamas pjaunant medžiagas su didesniu pasipriešinimu. Pasirinkus 0 padėtį, ekscentrinio judėjimo funkcija išjungiama. Pasirinkus 3 padėtį, ekscentrinio judėjimo greitis tampa maksimalus (7 pav.).

## **PJOVIMAS KAMPU (NUOŽULNUS PJOVIMAS)**

Galima rinktis vieną iš nustatytų pjovimo kampų: 15°, 30° ar 45°.

Šešiakampiu raktu atpalaiduokite abu varžtus su šešiakampėmis galvutėmis (8 pav.) įrankio apačioje.

Pagrindą šiek tiek pakelkite, kad būtų galima pakreipti į vieną iš kampų skalėje nurodytų pjovimo kampų (9 pav.). Vėl priveržkite atpalaiduotus varžtus.

## **METALO PJOVIMAS**

PASTABA: norint pjauti metalą ir vamzdžius, reikia išjungti siaurapjūklio ekscentrinio pjovimo režimą. Ekscentrinio pjovimo reguliatorių nustatykite į 0 padėtį (10 pav.).

Pjaunant metalą būtina naudoti tinkamą pjovimo (aušinimo) alyvą. Tiesiog pjaudami reguliariais intervalais ant geležtės ar apdorojamos medžiagos užpurškite tepimo priemonės, kad geležtė mažiau diltų.

PASTABA: nemerkite siaurapjūklį į vandenį ir saugokite, kad į korpusą nepatektų aušalo. Galite patirti mirtiną elektros smūgį.

Kai pjaustote vamzdį ar kamuotį, įtvirtinkite jį spaustuvoje, jei įmanoma, ir pjaukite šalia įtvirtinimo vietos. Kai pjaustote plonas lakštines medžiagas, padarykite iš jų „sumuštinį“, tarp atskirų lakštų įterpdami medienos plaušų plokštes ar fanerą, ir šiuos sluoksnius suspauskite, kad išvengtumėte vibracijos ir medžiagos plėšymo. Tada pjūvis bus lygus. Pjovimo šabloną ar liniją nubraižykite ant „sumuštinio“ viršaus.

Pastaba: kai pjaustote metalą, alyvoje sumirkyta šluoste dažnai valykite metalo dulkes nuo matomos pjūklo dalies. Užbaigę darbą alyvuotą šluostę išmeskite, laikydamiesi ypatingų saugumo priemonių, kad nesukeltumėte gaisro.

### ŽIEDINIS PJOVIMAS

Kai pradodate pjauti apdorojamos medžiagos centre, išgręžkite 12 mm skersmens skylę, kad geležtei pakaktų vietos.

### PATARIMAS

Kai pjaustote medžiagas su dekoratyvine ar poliruota apdaila, lipniaja juosta apklijuokite ir uždenkite arba siaurapjūklį pagrindą, arba pjaunamos medžiagos paviršių, kad jos nesubraižytumėte.

### TECHNINĖ PRIEŽIŪRA

Įspėjimas! Prieš įrankį valydami ar atlikdami bet kokius techninės priežiūros darbus, visada atjunkite jį nuo maitinimo įtampos, kad išvengtumėte nelaimingų atsitikimų.

Paprastai šio elektrinio įrankio nebūtina techniškai prižiūrėti; tereikia retsykais išvalyti variklio korpuso vėdinimo angas. Jeigu įrankis sugenda, jį remontuoti gali tik įgaliotas elektrinių įrankių techninės priežiūros atstovas.

Įrankis geriausiai išvalomas suspaustu sausu oru. Valydami įrankius suspaustu oru, visada būkite su apsauginiais akiniais.

Vėdinimo angos ir jungiklių svirtys turi būti švarios, be pašalinių medžiagų. Nebandykite valyti į angas kišdami smailus daiktus.

Plastikinių dalių nevalykite tirpikliais. Įvairūs tirpikliai paprastai pažeidžia plastikinių medžiagų paviršių. Nešvarumus, dulkes, alyvą, tepalą ir pan. valykite švariomis šluostėmis.

ĮSPĖJIMAS! Saugokite, kad neišteptumėte plastikinių dalių stabdžių skysčiais, benzinu, naftos produktais, skvarbiomis alyvomis ir pan. Cheminės medžiagos plastiką gali pažeisti, susilpninti ar sunaikinti ir galite sunkiai susižaloti.

Kai elektriniais įrankiais apdorojamos medžiagos su stiklo pluoštu, gipsu, glaistu ar tinku, įrankiai greičiau dėvisi ir gali anksčiau sugesti, nes stiklo pluošto atplaišos ir šlifavimo atliekos yra abrazyvinės medžiagos, gadinančios guolius, šepetėlius, komutatorius ir kitas elektrinių įrankių dalis. Todėl

nerekomenduojame šio įrankio naudoti ilgesniam darbui su tokių tipų medžiagomis. Vis dėlto jeigu su tokiomis medžiagomis tenka dirbti, labai svarbu įrankį reguliariai prapūsti suspausto oro srove.

### TEPIMAS

Visi šio įrankio guoliai yra patepti pakankamu aukštos kokybės tepimo priemone kiekiu, kurio įprastomis darbo sąlygomis pakanka visam eksploatacavimo laikotarpiui. Tad papildomai tepti nereikia.

### TECHNINĖS SPECIFIKACIJOS

Įtampa	230 V, 50 Hz
Variklis	480 W
Variklio sūkių skaičius be apkrovos	800–3000 min <sup>-1</sup>
Maks. medienos pjovimo gylis	65 mm
Maks. plieno pjovimo gylis	6 mm
Pjovimo kampai	0°, 15°, 30°, 45°
Garso slėgio lygis	L <sub>PA</sub> 87 dB(A) K=3dB(A)
Garso galios lygis	L <sub>WA</sub> 98 dB(A) K=3dB(A)
Vibracijos lygis	a <sub>h,B</sub> =8,571 m/s <sup>2</sup> , K=1.5 m/s <sup>2</sup>  a <sub>h,M</sub> =6,834 m/s <sup>2</sup> , K=1,5 m/s <sup>2</sup>

## SIMBOLIAI

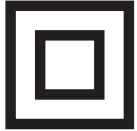
Ant jūsų įrankio techninių duomenų plokštelės gali būti pavaizduoti simboliai. Jie pateikia svarbią informaciją apie gaminį arba jo naudojimo instrukcijas.



Naudoti klausos apsaugos priemonės.  
Dėvėti apsauginius akinius.  
Naudoti kvėpavimo takų apsaugos priemonės.



Atitinka reikiamus saugos standartus.



Dviguba izoliacija dėl papildomos apsaugos.



Skaityti naudojimo instrukciją.



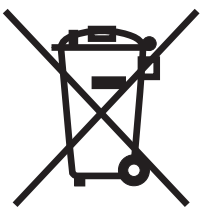
Išmetamos elektros įrangos negalima išmesti kartu su buitėmis atliekomis. Pristatykite į specialius surinkimo punktus, kad ją perdirbtų. Dėl informacijos apie perdirbimą kreipkitės į savo vietos valdžios institucijos arba į parduotuvės, kurioje įsigijote šį gaminį, atstovus.



Gaminys atitinka Direktyvos dėl tam tikrų pavojingų medžiagų naudojimo elektros ir elektroninėje įrangoje apribojimo reikalavimus.

## APLINKOSAUGA

Informacija dėl elektros ir elektronikos prietaisų utilizavimo apsaugant aplinką nuo kenksmingų veiksnių (WEEE direktyva).



Šis simbolis matomas ant produkto arba jį lydintios dokumentacijos nurodo, kad panaudoti ir nebeeksploatuojami elektriniai ir elektroniniai prietaisai neturi būti išmetami kartu su buitėmis atliekomis. Siekiant tinkamai utilizuoti, pakeisti, atstatyti arba perdirbti elektros prietaisus, juos būtina pristatyti į specialius surinkimo punktus, kur jie priimami nemokamai. Tam tikrose šalyse, tokius prietaisus galima grąžinti prietaisų pardavusiai kompanijai, jei įsigijamas analogiškas naujas prietaisas. Tinkamas elektros prietaisų utilizavimas padeda išsaugoti vertingus resursus ir apsaugo žmonių sveikatą ir aplinką nuo bet kokios potencialios neigiamos įtakos, kuri gali atsirasti jei prietaisas bus netinkamai naudojamas arba utilizuojamas. Prašome susisiekti su vietiniais specialistais, kurie jums nurodys artimiausio specialiojo surinkimo punkto koordinatas. Už netinkamą ir šalyje galiojančių taisyklių neatitinkantį elektros prietaisų utilizavimą taikomos nuobaudos.

## KLIENTAMS EUROPOS SĄJUNGOS RIBOSE.

Jei pageidaujate išmesti elektrinę arba elektroninę įrangą, prašome susisiekti su mūsų įrangos platintojais ar tiekėjais dėl platesnės informacijos.

## Informacija dėl įrangos utilizavimo šalyse, nepriklausančiose Europos Sąjungai.

Šis simbolis galioja tik Europos Sąjungos šalių ribose.

Jei pageidaujate atsikratyti šio prietaiso, prašome susisiekti su vietinėmis institucijomis arba prekių pardavimo kompanija ir sužinoti legalų prietaiso utilizavimo būdą.





**Declaration of compliance EEC**  
**Vaatimustenmukaisuusvakuutus ETY**  
**Försäkran om överensstämmelse med EEC**  
**EEC samsvarserklæring**  
**Atbilstības deklarācija EEK**  
**EEB atitikmens deklaracija**  
**Vastavusdeklaratsioon EMÜ**  
**Декларация о соответствии нормам ЕЭС**

WE DECLARE THAT THE FOLLOWING PRODUCT  
VAKUUTAMME, ETTÄ SEURAAVA TUOTE  
VI INTYGAR ATT FÖLJANDE PRODUKT  
VI BEKREFTER AT DETTE PROUKTET  
PAZIŅOJAM, KA ŠIS PRODUKTS  
MES PATVIRTINAME, KAD ŠIS PRODUKTAS  
KINNITAME, ET JÄRGNEV TOODE  
МЫ ЗАЯВЛЯЕМ, ЧТО СЛЕДУЮЩЕЕ ИЗДЕЛИЕ

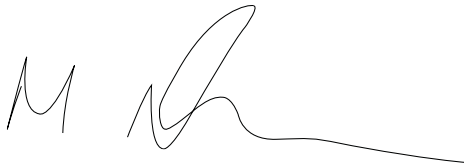
**FXAJD2835**

WAS BUILT IN COMPLIANCE WITH THE FOLLOWING DISPOSITIONS  
ON VALMISTETTU SEURAAVIA MÄÄRÄYKSIÄ NOUDATTAEN  
TILLVERKATS I ENLIGHET MED FÖLJANDE STANDARD  
ER PRODUSERT I HHT FØLGENDE STANDARDER  
IR IZGATAVOTS SASKAŅĀ AR ŠIEM NOTEIKUMIEM  
SUKURTAS SUTINKAMAI SU TOLIAU IŠVARDINTOMIS NUOSTATOMIS  
KONSTRUEERITI VASTAVALT JÄRGMISTELE STANDARDITELE  
СКОНСТРУИРОВАНО В СООТВЕТСТВИИ СО СЛЕДУЮЩИМИ ПОЛОЖЕНИЯМИ

**2006/42/EC, 2014/35/EU, 2014/30/EU, 2011/65/EU**

**STANDARD:**

**EN 55014-1; EN 55014-2; EN 61000-3-2; EN 61000-3-3; EN 60745-1; EN 60745-2-11**



**Mark Shannon**

Quality Director

Laadunvarmistuksen tarkastaja

Kvalitetssäkringskontroll

Kvalitets Direktør

Kvalitātes apliecinājuma kontrolieris

Kokybės užtikrinimas

Kvaliteedi tagamise kontroll

Контролер качества

NAP BRANDS LTD. Napier House, Unit 7, Corunna Court, Warwick, United Kingdom CV34 5HQ

RSNUTOOL. 3rd Floor, Building 5, 289 Bi Sheng Road, Shanghai High-Tech, Shanghai 201204

Manufactured for • Valmistuttaja • Tillverkadför • Produsert for • Toode tud  
• Ražošanas pasūtītājs • Kienoužsākumupagaminta • Kesko Corporation Group Companies,  
Satamakatu 3, FI-00160 Helsinki, Finland. © Rautakesko 2016. Made in China  
Изготовлено для Компаний КЕСКО ГРУП, Финляндия, Хельсинки, Сатамакату 3,  
ФИ-00160 Раутакеско 2016. Сделано в Китае

