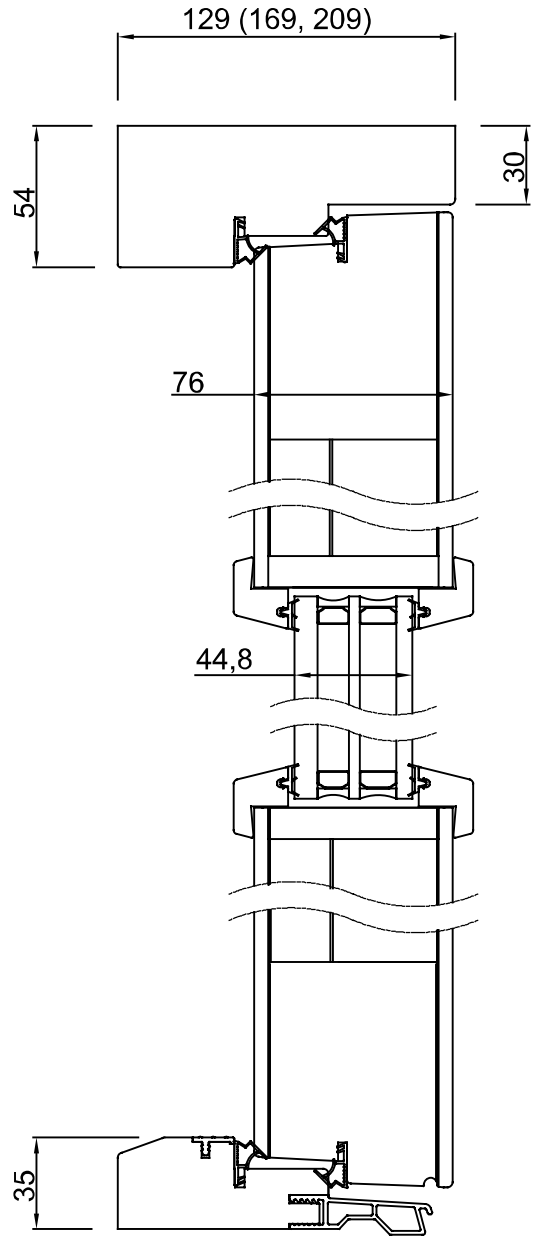
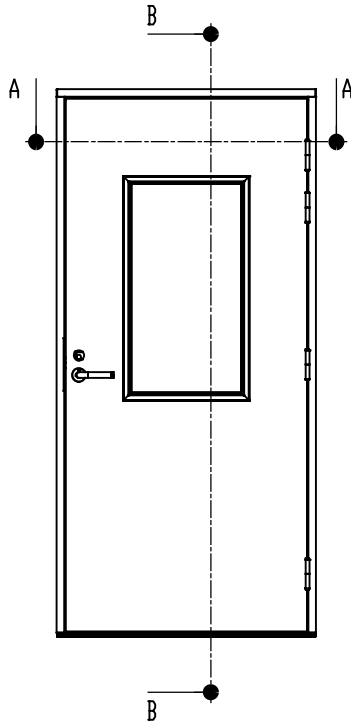
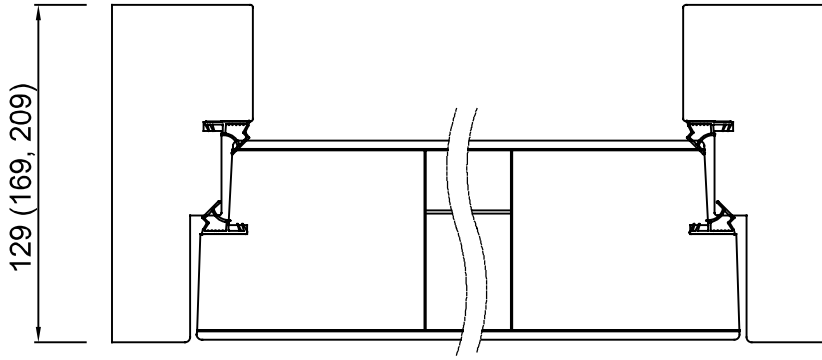


Rev	ECM	Description	Rev. by	Date
-----	-----	-------------	---------	------



B-B



A-A

Product Category		Product Platform				
Door		UO - Entrance Door				
Product Type						
Entrance - Outward						
Designed by	Designed date	Approved by	Approved date	Processing Code	Material	
ML	2025-03-27	ML	2025-03-28			
PIHLA GROUP OY		Ulko-ovi DB35			Tolerances unless otherwise specified	View orientation
		Entrance door DB35				
					Article Number	Scale
			Drawing Number	Revision		
			256863	A	1:10	

We reserve all rights in this document and in the information contained therein.  
 Reproduction, use or disclosure to third parties without express authority is strictly forbidden.  
 INWIDO