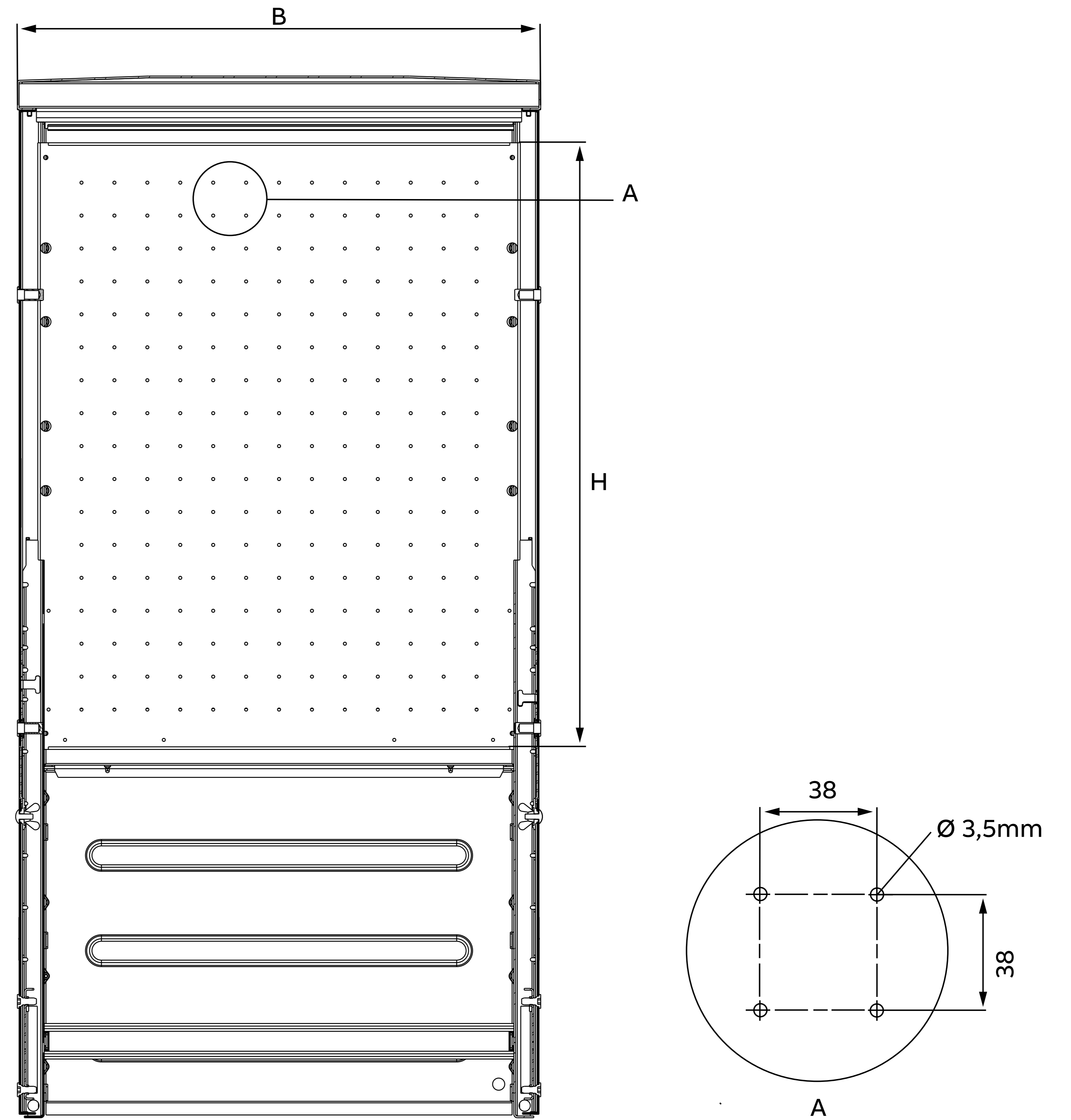
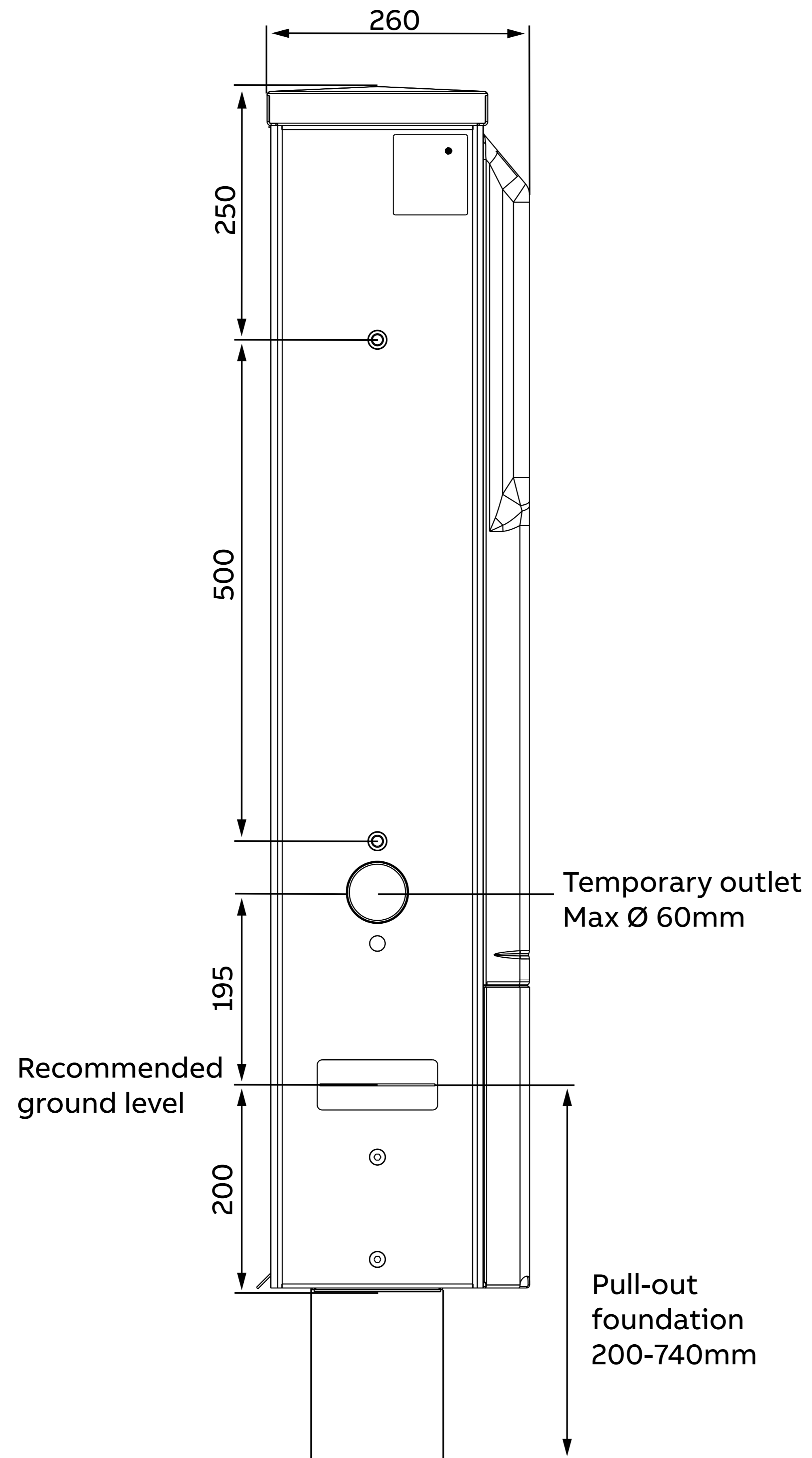
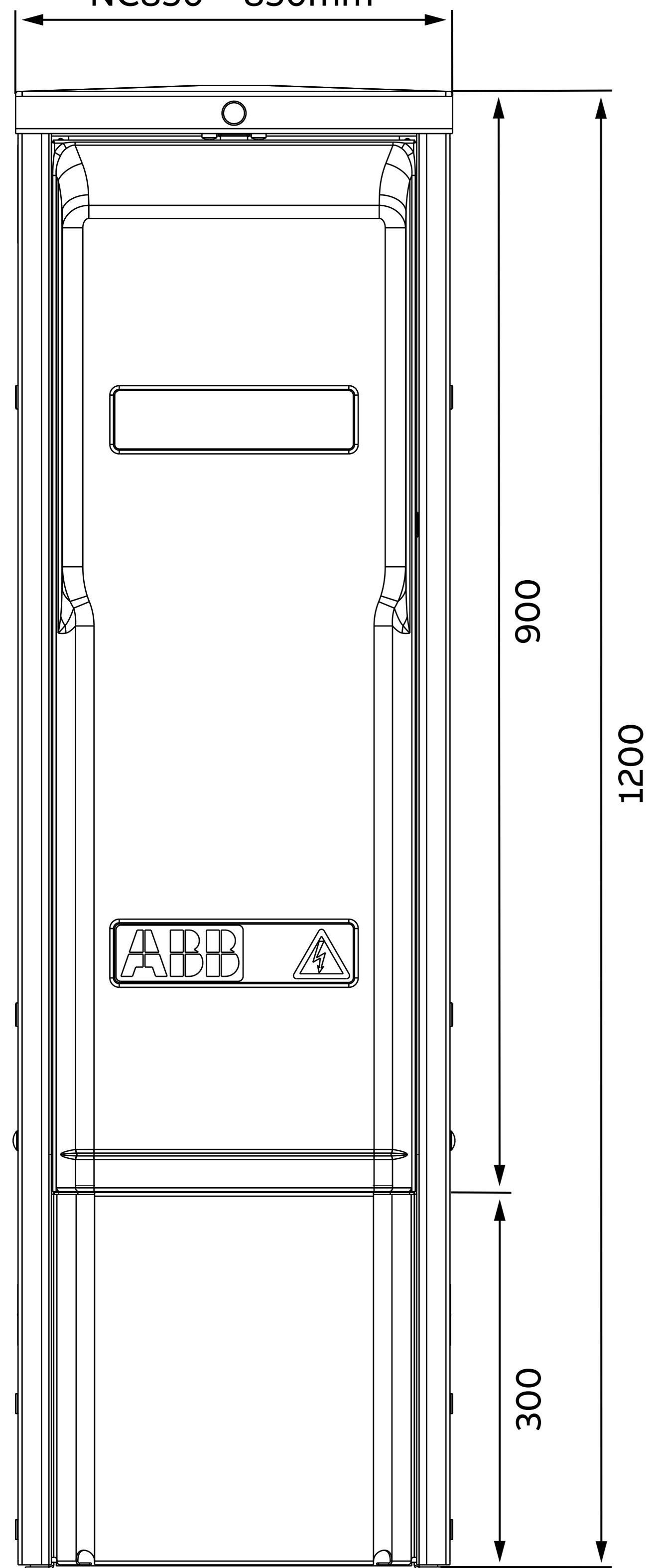


NC350 = 350mm
 NC600 = 600mm
 NC850 = 850mm



Designation	Mounting dimensions for mounting plate [mm]			Hole pattern on mounting plate [mm/nr of holes]		Door opening dimensions [mm]	
	W	H	D*	W	H	W	H
NC350-G-SE-M	300	700	230	245/7	595/17	268	835
NC600-G-SE-M	550	700	230	455/13	595/17	518	835
NC850-G-SE-M	800	700	230	735/21	595/17	768	835

* Depth from mounting plate to inside of door. The depth decreases slightly last 50mm towards upper edge and last 15mm along the sides due to the curved door.